

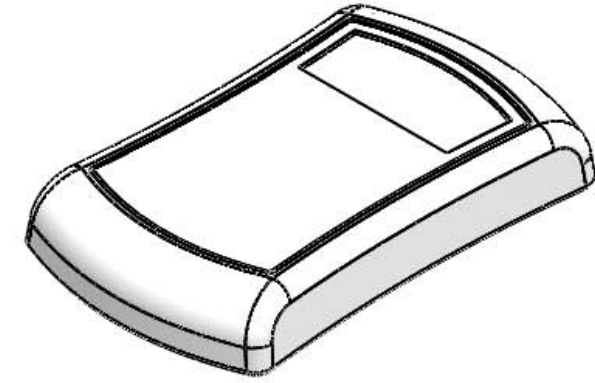
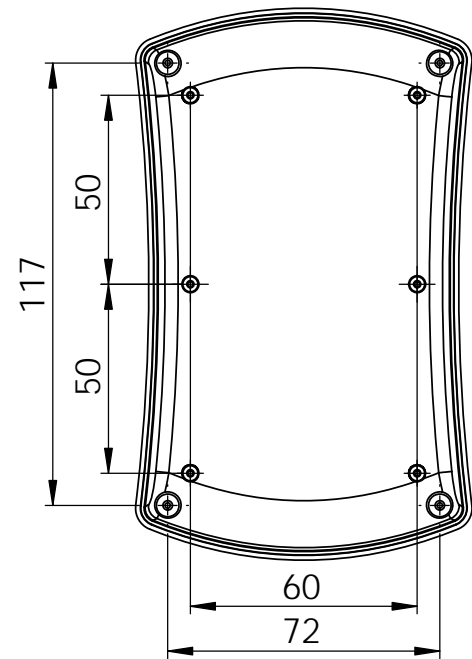
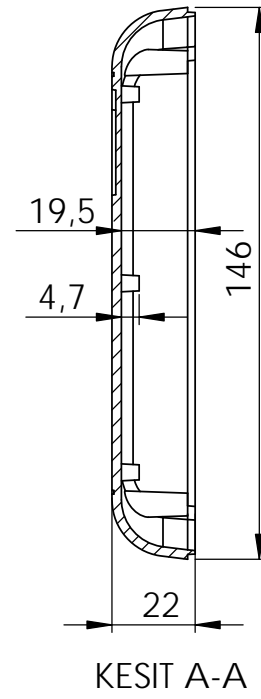
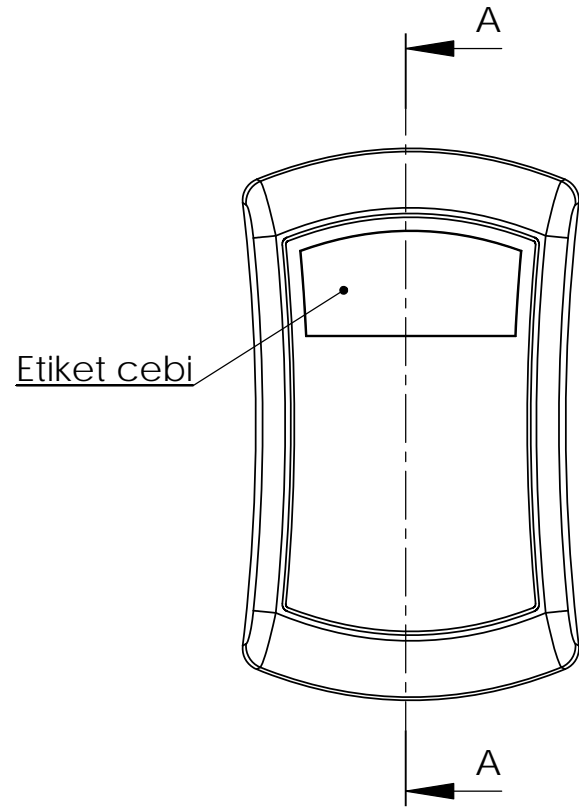

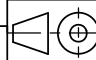
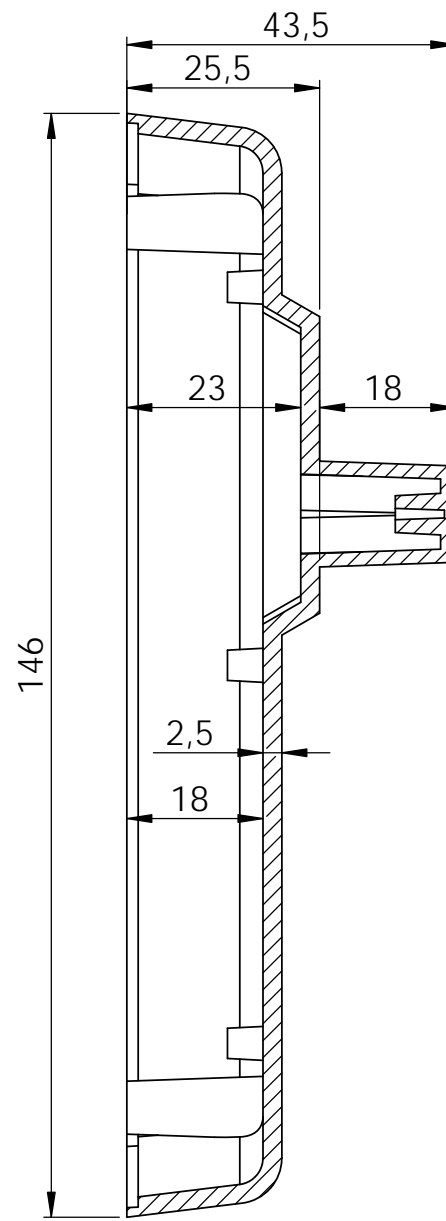
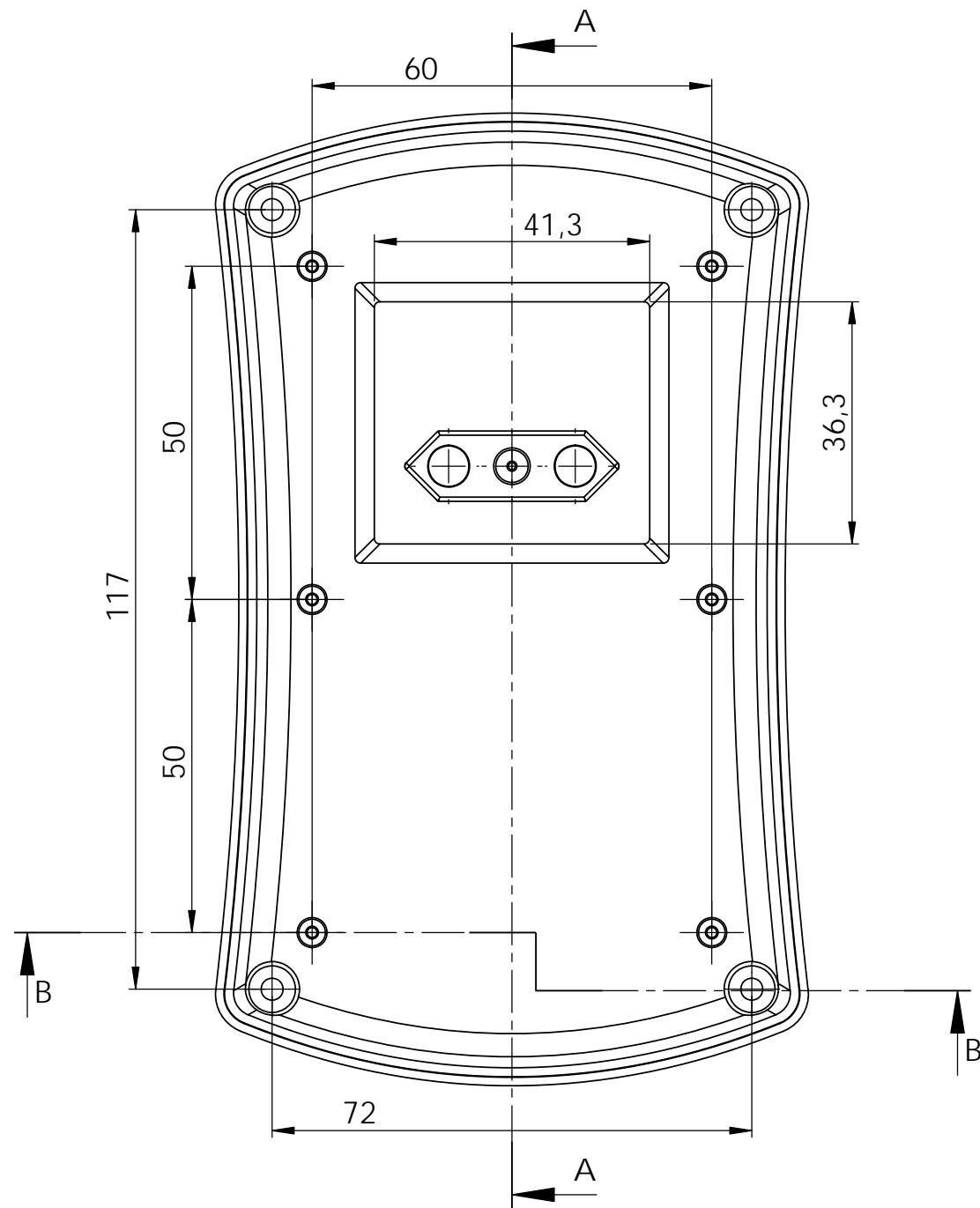


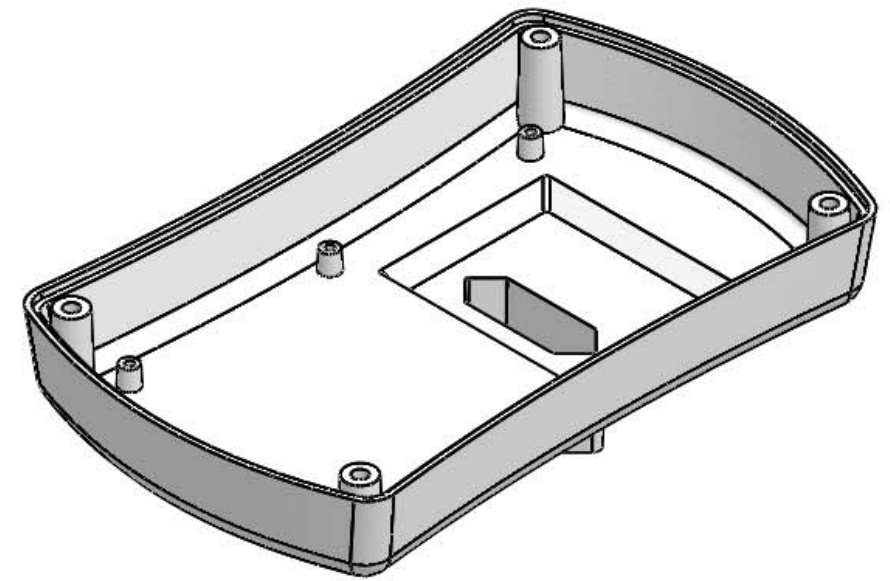
<small>PROPRIETARY AND CONFIDENTIAL. THE INFORMATION CONTAINED IN THIS DRAWING IS THE SOLE PROPERTY OF ALTINKAYA ENCLOSURES. ANY REPRODUCTION IN PART OR AS A WHOLE WITHOUT THE WRITTEN PERMISSION OF ALTINKAYA ENCLOSURES IS PROHIBITED.</small>			ARTICLE NO.:	REVISION:
<small>DRAWN</small> Dursun Daşdemir			 <small>ENCLOSURES FOR ELECTRONICS</small>	<small>CONTACT:</small> www.altinkaya.com.tr
<small>CHECKED</small> Ali Altınışık			<small>TITLE:</small> AD-140-A Adaptör Kutusu Topraksız Fiş	
<small>COMMENTS:</small>			<small>DWG NO.</small> AD-140-A-0-G-0	A3
<small>MATERIAL:</small>			<small>SCALE:</small> 1:1	<small>SHEET</small> 1 OF 1
<small>WEIGHT:</small>				



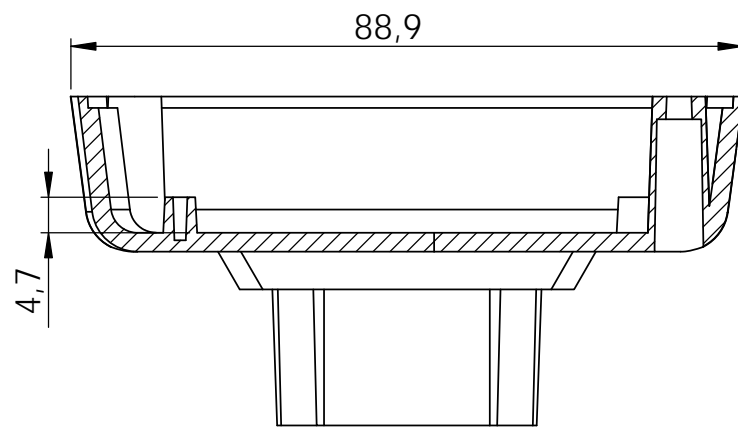
<small>PROPRIETARY AND CONFIDENTIAL. THE INFORMATION CONTAINED IN THIS DRAWING IS THE SOLE PROPERTY OF ALTINKAYA ENCLOSURES. ANY REPRODUCTION IN PART OR AS A WHOLE WITHOUT THE WRITTEN PERMISSION OF ALTINKAYA ENCLOSURES IS PROHIBITED.</small>			ARTICLE NO.:	REVISION:
<small>DRAWN</small> Dursun Daşdemir <small>CHECKED</small> Ali Altınışık <small>COMMENTS:</small> <small>MATERIAL:</small> <small>WEIGHT:</small>			 <small>ENCLOSURES FOR ELECTRONICS</small> <small>CONTACT:</small> www.altinkaya.com.tr	<small>TITLE:</small> AD-140-A Cover AD-140-B Cover
			<small>DWG NO.</small> AD-140-P-1-G-0	<small>REVISION:</small> A3
			<small>SCALE:</small> 1:2 <small>SHEET</small> 1 OF 1	




KESIT A-A

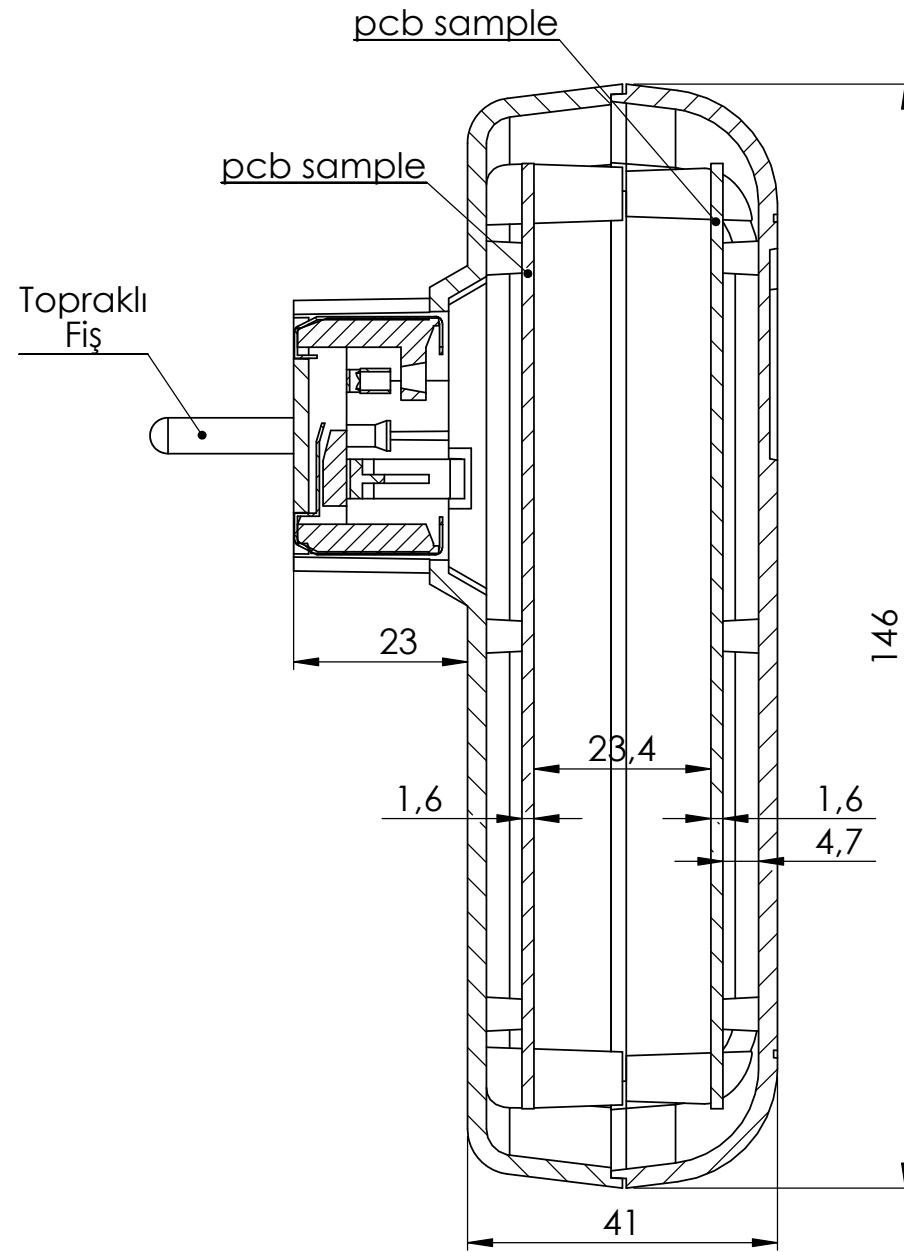
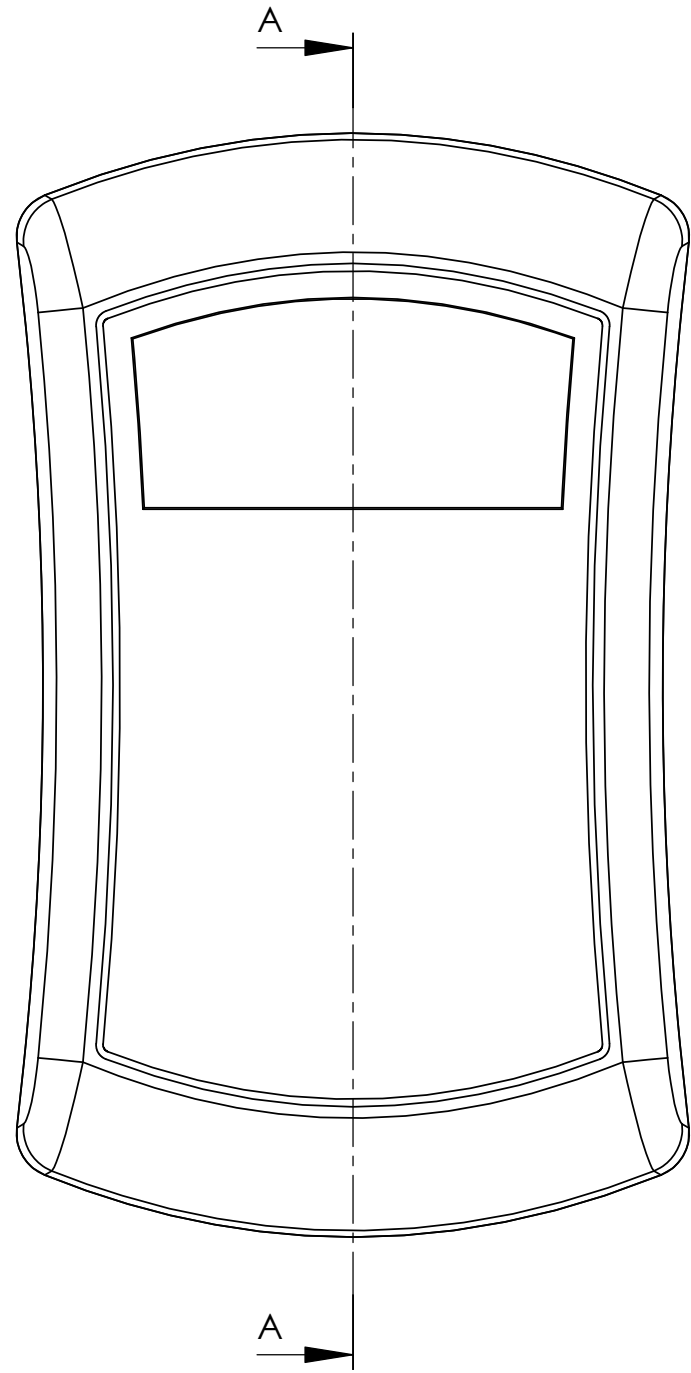


AD-140-A

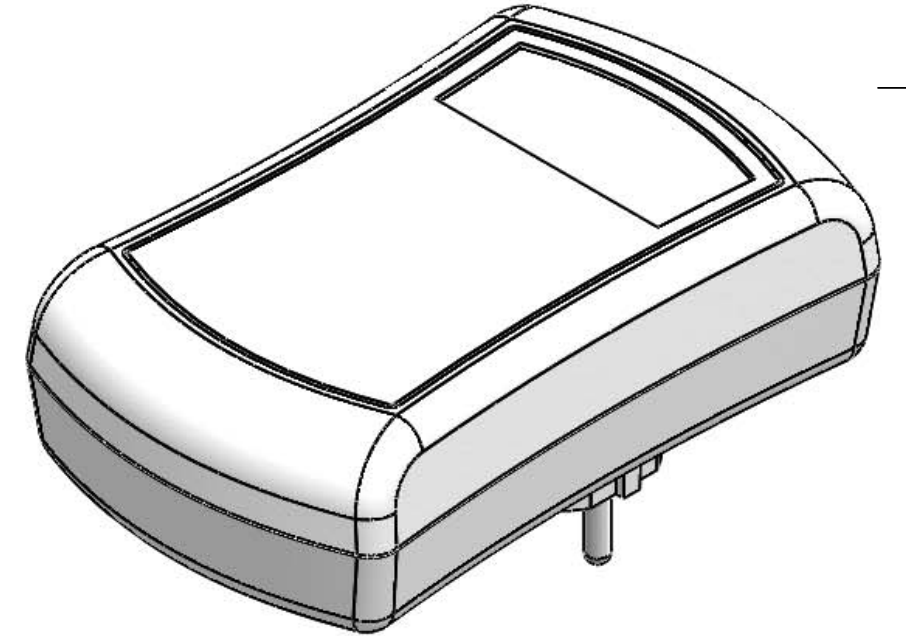
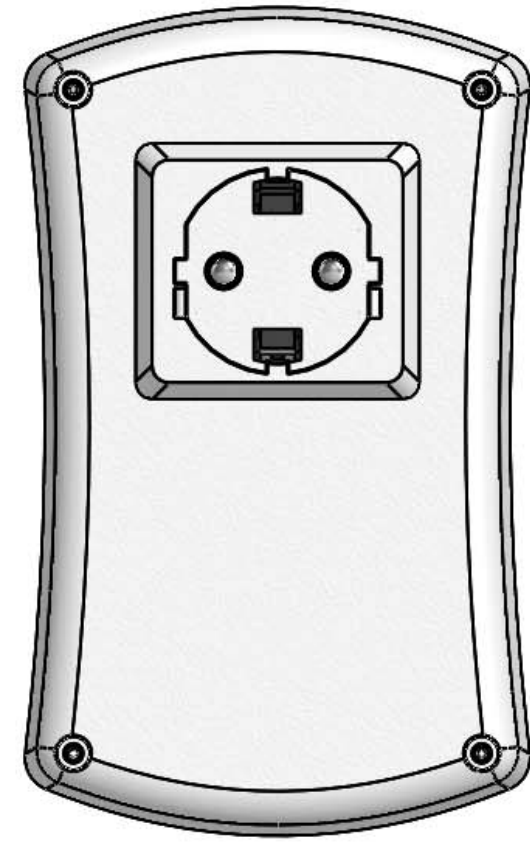




KESIT B-B

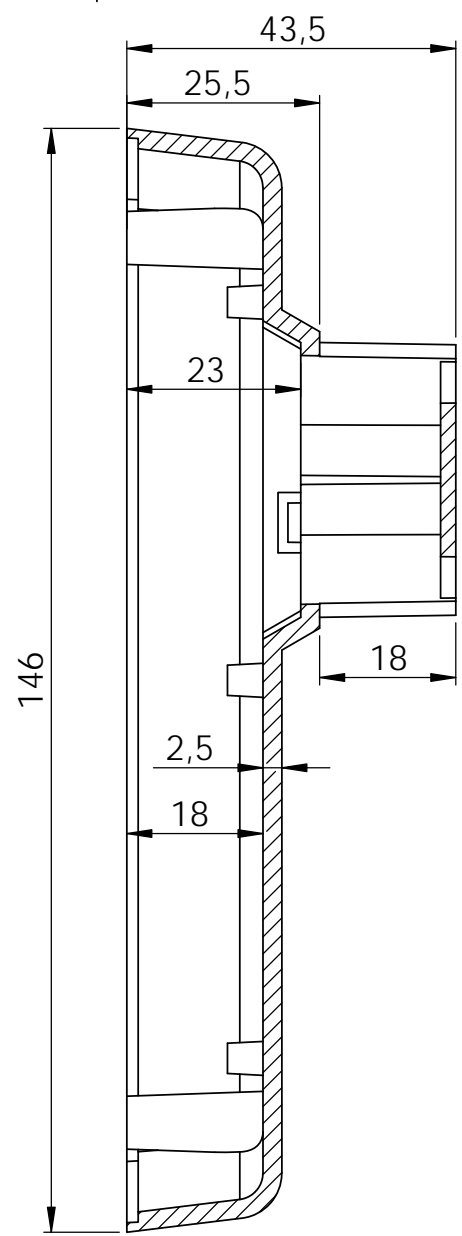
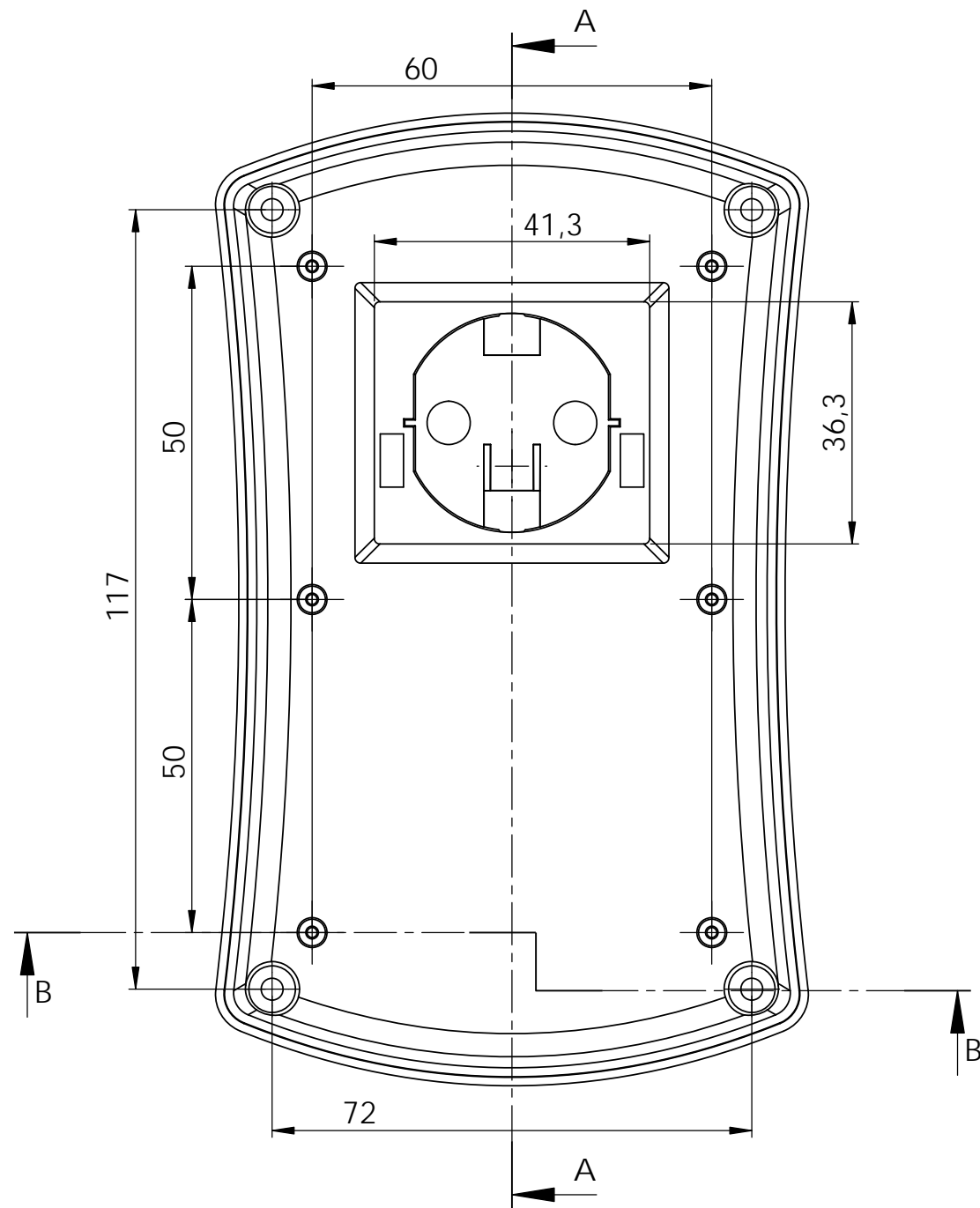
<small>PROPRIETARY AND CONFIDENTIAL. THE INFORMATION CONTAINED IN THIS DRAWING IS THE SOLE PROPERTY OF ALTINKAYA ENCLOSURES. ANY REPRODUCTION IN PART OR AS A WHOLE WITHOUT THE WRITTEN PERMISSION OF ALTINKAYA ENCLOSURES IS PROHIBITED.</small>		ARTICLE NO.:	REVISION:
<small>DRAWN: Dursun Daşdemir</small> <small>CHECKED: Ali Altınışık</small> <small>COMMENTS:</small>		 <small>ENCLOSURES FOR ELECTRONICS</small>	<small>CONTACT:</small> www.altinkaya.com.tr
<small>MATERIAL:</small>		AD-140-A Base	
<small>WEIGHT:</small>			
<small>SCALE:1:1</small>		<small>SHEET 1 OF 1</small>	



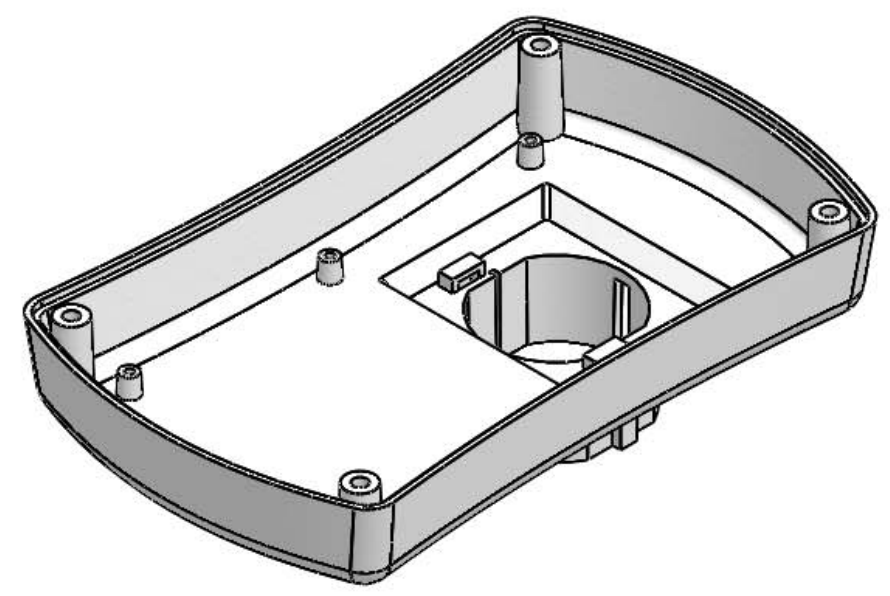
KESIT A-A



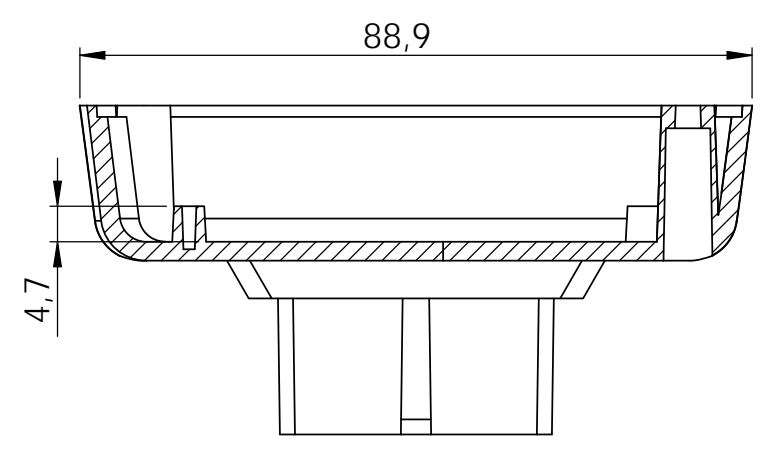
<small>PROPRIETARY AND CONFIDENTIAL. THE INFORMATION CONTAINED IN THIS DRAWING IS THE SOLE PROPERTY OF ALTINKAYA ENCLOSURES. ANY REPRODUCTION IN PART OR AS A WHOLE WITHOUT THE WRITTEN PERMISSION OF ALTINKAYA ENCLOSURES IS PROHIBITED.</small>		ARTICLE NO:	REVISION:
<small>DRAWN</small> Dursun Daşdemir		 <small>ENCLOSURES FOR ELECTRONICS</small>	<small>CONTACT:</small> www.altinkaya.com.tr
<small>CHECKED</small> Ali Altınışık		<small>TITLE:</small> AD-140-B Adaptör Kutusu Topraklı Fiş	
<small>COMMENTS:</small>		<small>DWG NO.</small> AD-140-B-0-G-0	<small>A3</small>
<small>MATERIAL:</small>		<small>SCALE:1:1</small>	<small>SHEET 1 OF 1</small>
<small>WEIGHT:</small>			




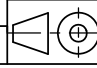
KESIT A-A

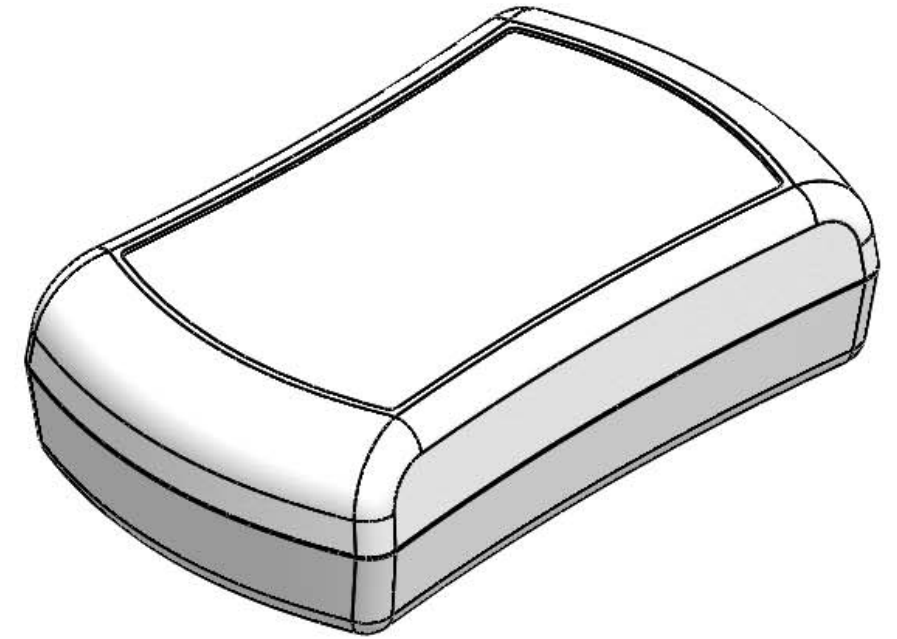
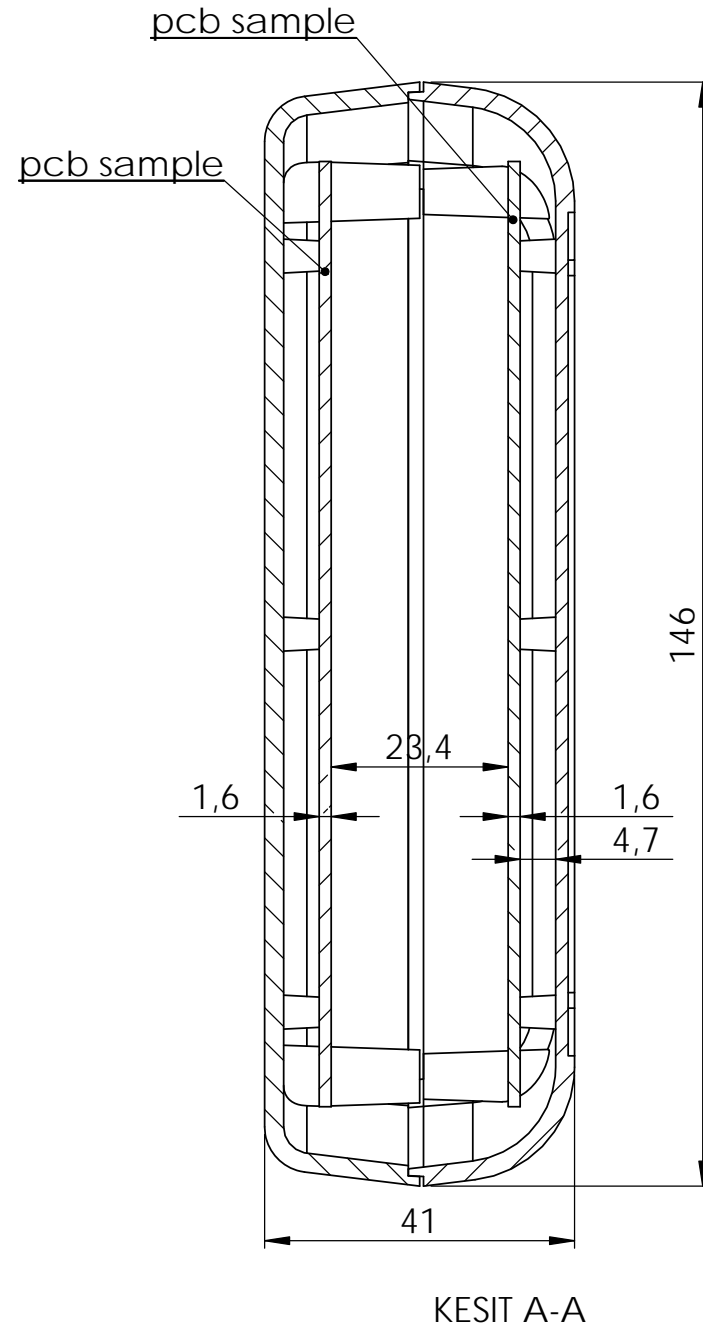
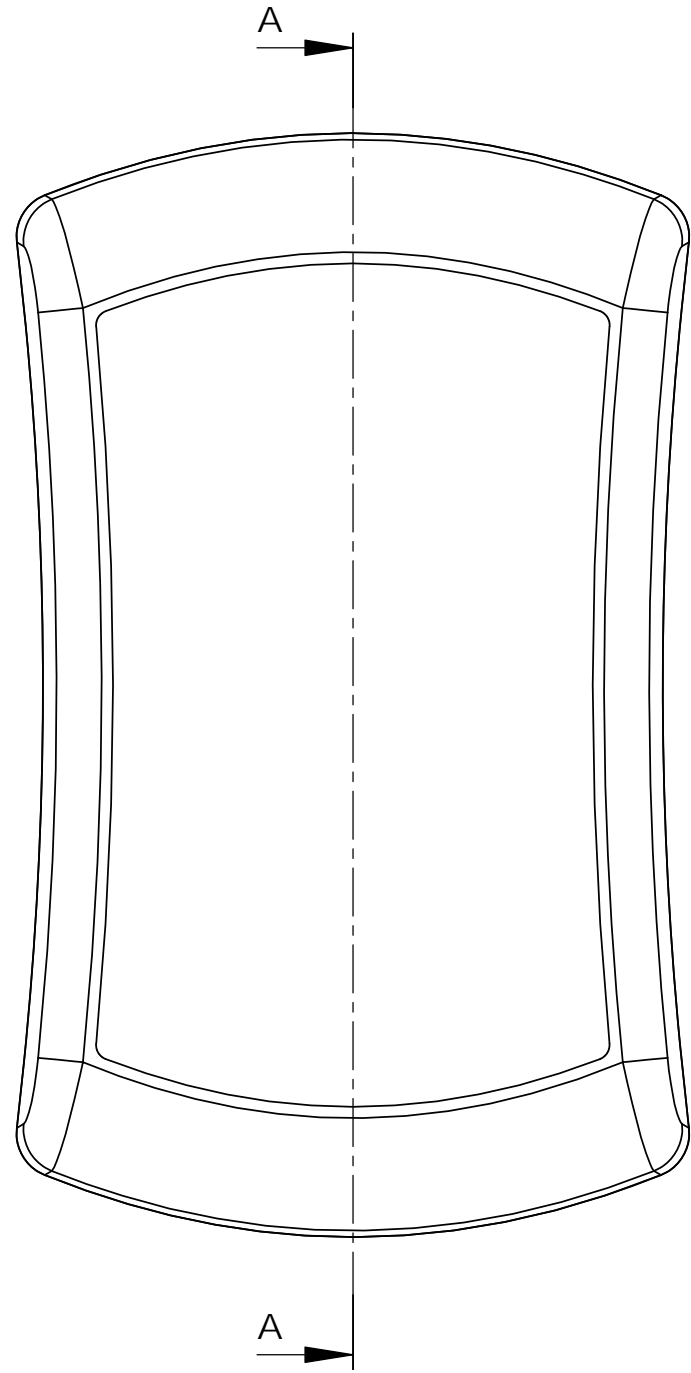




AD-140-B



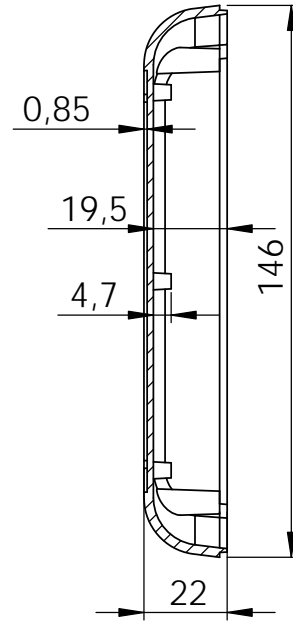
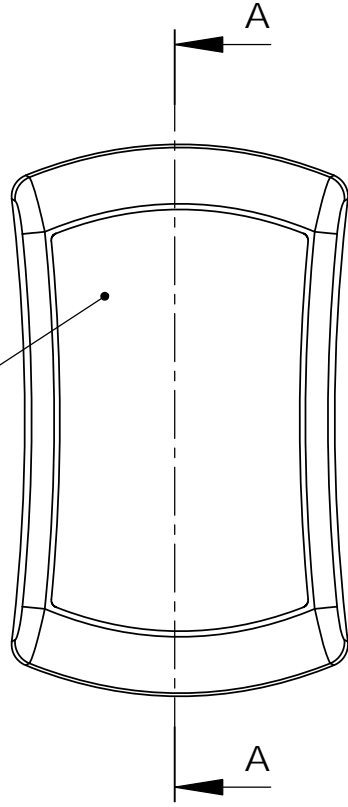
KESIT B-B

<small>PROPRIETARY AND CONFIDENTIAL. THE INFORMATION CONTAINED IN THIS DRAWING IS THE SOLE PROPERTY OF ALTINKAYA ENCLOSURES. ANY REPRODUCTION IN PART OR AS A WHOLE WITHOUT THE WRITTEN PERMISSION OF ALTINKAYA ENCLOSURES IS PROHIBITED.</small>		ARTICLE NO:	REVISION:
<small>DRAWN</small> Dursun Daşdemir		 <small>ENCLOSURES FOR ELECTRONICS</small>	<small>CONTACT:</small> www.altinkaya.com.tr
<small>CHECKED</small> Ali Altınışık		<small>TITLE:</small> <h2 style="text-align: center;">AD-140-B Base</h2>	
<small>COMMENTS:</small>		<small>DWG NO.</small> <h2 style="text-align: center;">AD-140-P-2-G-0</h2>	<small>A3</small>
<small>MATERIAL:</small>		<small>SCALE:</small> 1:1	<small>SHEET</small> 1 OF 1
<small>WEIGHT:</small>			

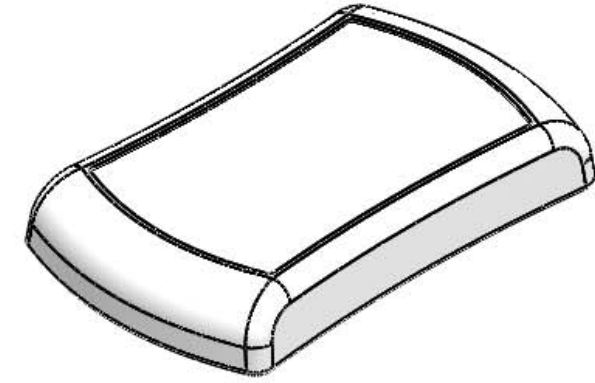
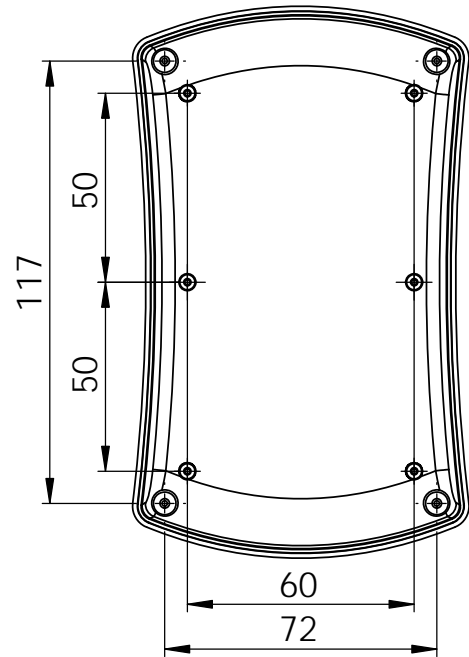


<small>PROPRIETARY AND CONFIDENTIAL. THE INFORMATION CONTAINED IN THIS DRAWING IS THE SOLE PROPERTY OF ALTINKAYA ENCLOSURES. ANY REPRODUCTION IN PART OR AS A WHOLE WITHOUT THE WRITTEN PERMISSION OF ALTINKAYA ENCLOSURES IS PROHIBITED.</small>		ARTICLE NO.:	REVISION:
<small>DRAWN</small> Dursun Daşdemir		 <small>ENCLOSURES FOR ELECTRONICS</small>	<small>CONTACT:</small> www.altinkaya.com.tr
<small>CHECKED</small> Ali Altınışık		<small>TITLE:</small> AD-140-C Adaptör Kutusu Fişsiz	
<small>COMMENTS:</small>		<small>DWG NO.</small> AD-140-C-0-G-0	<small>A3</small>
<small>MATERIAL:</small>		<small>SCALE:1:1</small>	<small>SHEET 1 OF 1</small>
<small>WEIGHT:</small>			

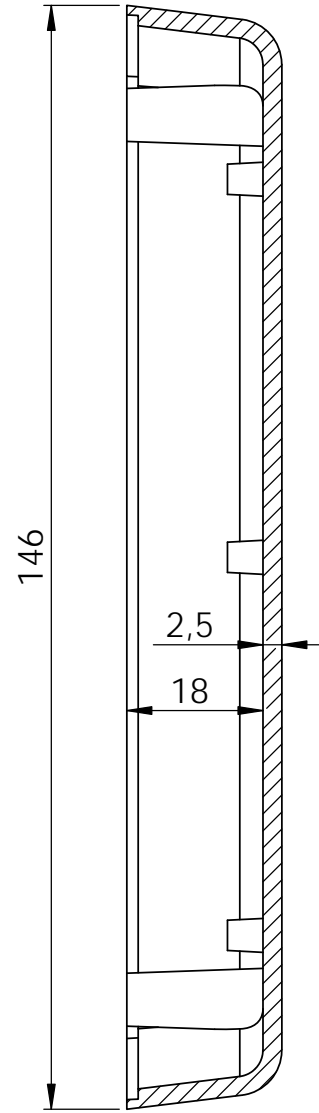
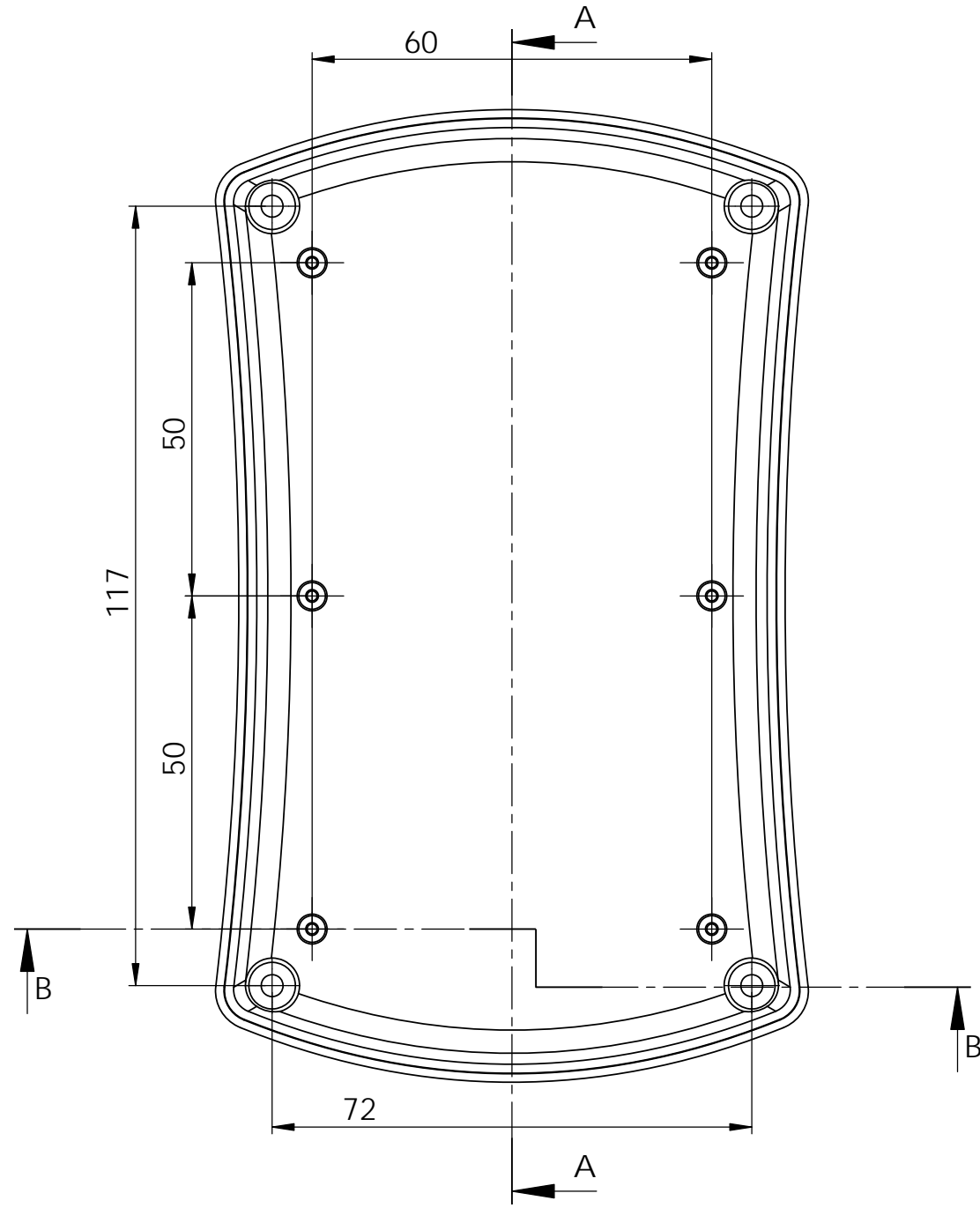
Etiket Cebi



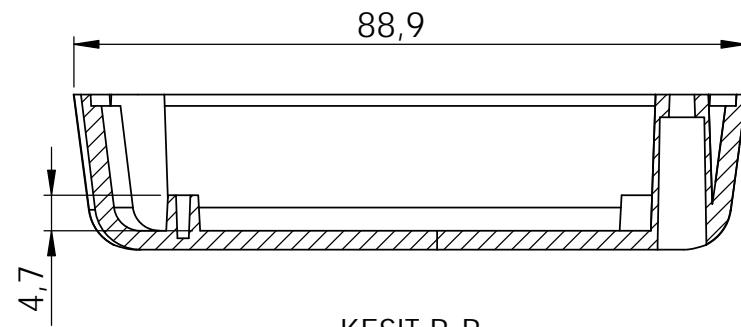
KESIT A-A



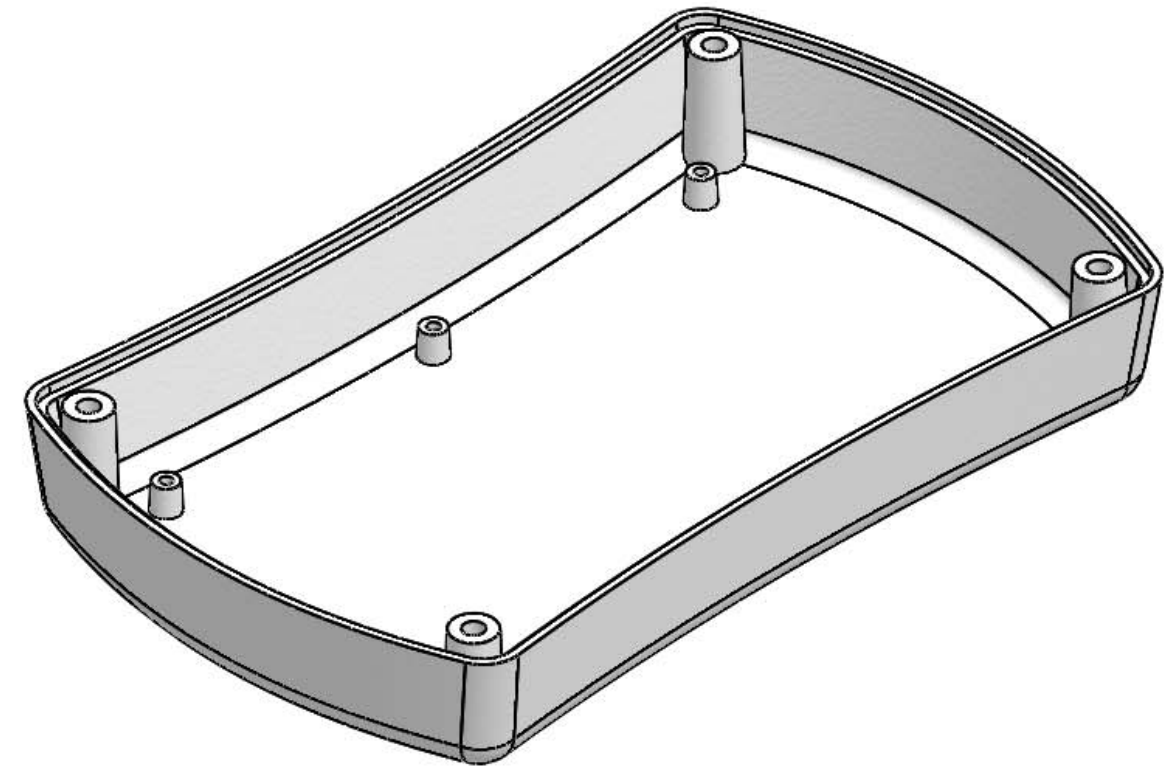
PROPRIETARY AND CONFIDENTIAL. THE INFORMATION CONTAINED IN THIS DRAWING IS THE SOLE PROPERTY OF ALTINKAYA ENCLOSURES. ANY REPRODUCTION IN PART OR AS A WHOLE WITHOUT THE WRITTEN PERMISSION OF ALTINKAYA ENCLOSURES IS PROHIBITED.		ARTICLE NO.	REVISION:
DRAWN Dursun Daşdemir		ALTINKAYA ENCLOSURES FOR ELECTRONICS	CONTACT: www.altinkaya.com.tr
CHECKED Ali Altınışık		TITLE: AD-140-C Cover	
COMMENTS:		DWG NO. AD-140-P-1-G-0	A3
MATERIAL:		SCALE:1:2	SHEET 1 OF 1
WEIGHT:		A3	





KESIT A-A



KESIT B-B



<small>PROPRIETARY AND CONFIDENTIAL. THE INFORMATION CONTAINED IN THIS DRAWING IS THE SOLE PROPERTY OF ALTINKAYA ENCLOSURES. ANY REPRODUCTION IN PART OR AS A WHOLE WITHOUT THE WRITTEN PERMISSION OF ALTINKAYA ENCLOSURES IS PROHIBITED.</small>		ARTICLE NO:	REVISION:
<small>DRAWN</small> Dursun Daşdemir			<small>CONTACT:</small> www.altinkaya.com.tr
<small>CHECKED</small> Ali Altınışık		<small>TITLE:</small> AD-140-C Taban	
<small>COMMENTS:</small>		<small>DWG NO.</small> AD-140-P-2-G-0	A3
<small>MATERIAL:</small>		<small>SCALE:</small> 1:1	<small>SHEET</small> 1 OF 1
<small>WEIGHT:</small>			

1

2

3

4

A

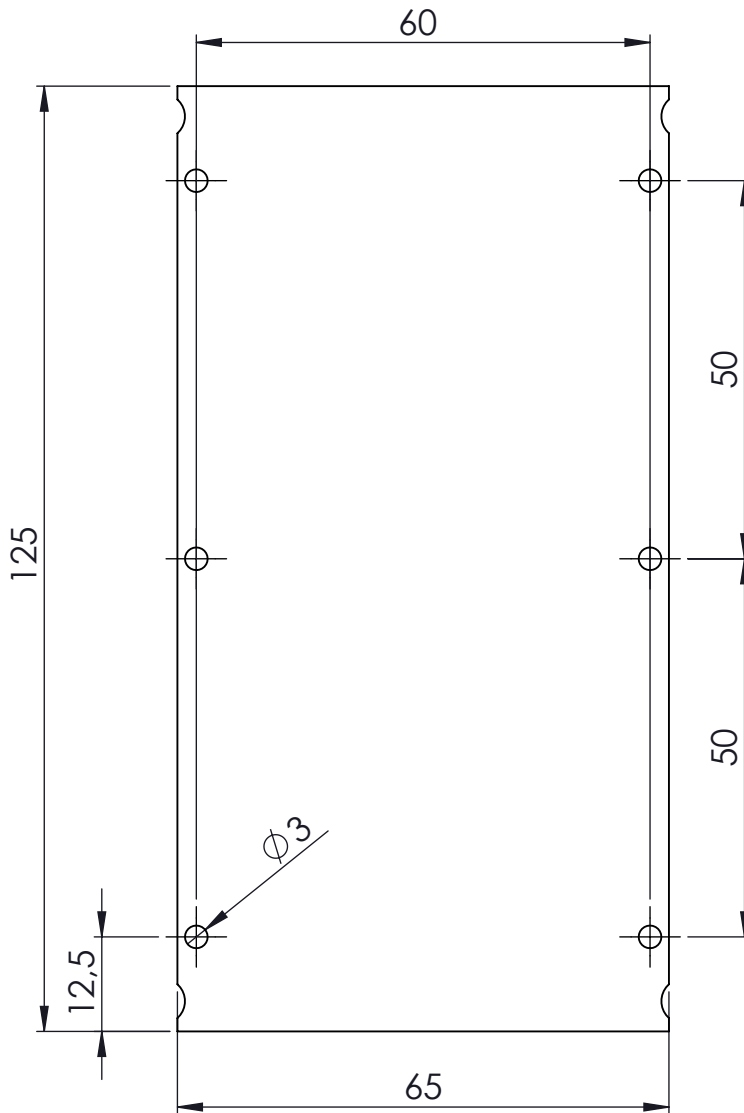
B


C

D

E

F



	NAME	DATE	ARTICLE NO:	REVISION:	TITLE:
DRAWN	Dursun Daşdemir				
CHECKED	Ali Altınışık		COMMENTS:		
	 ALTINKAYA ENCLOSURES FOR ELECTRONICS www.altinkaya.com.tr		DIMENSIONS ARE IN MILLIMETERS, DEBUR AND BREAK SHARP EDGES		
	PROPRIETARY AND CONFIDENTIAL THE INFORMATION CONTAINED IN THIS DRAWING IS THE SOLE PROPERTY OF ALTINKAYA ENCLOSURES. ANY REPRODUCTION IN PART OR AS A WHOLE WITHOUT THE WRITTEN PERMISSION OF ALTINKAYA ENCLOSURES IS PROHIBITED.			DWG NO.	pcb_sample
	MATERIAL:		WEIGHT:	SCALE:1:1	A4
				SHEET 1 OF 1	