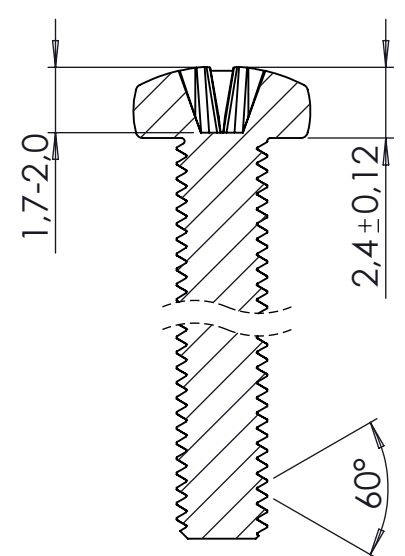
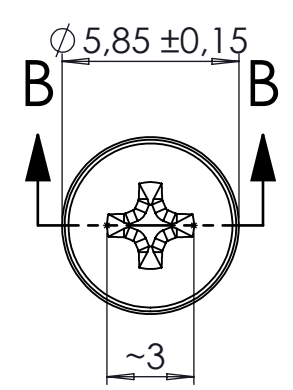



M3 6h



KESIT B-B



PH1

REV. NO	DATE	REVISED BY	DESCRIPTION OF CHANGE
			<a href="http://www.altinkaya.com">www.altinkaya.com</a>
Customer Name:		Customer Ref.:	
Altinkaya Ref.: VD-330-40-0-M-D / VD-330-40-0-S-0		Part Name : VD-330 M3 YSB Metric Screw	
DRAWN	NAME	DATE	Drawn From:
CHECKED	Y.YEL	27.03.2025	Material : Metallic A2F Cr+3 / Black A2S Cr+3 over 20Mn-B4
DIMENSIONAL TOLERANCES UNLESS OTHERWISE SPECIFIED (DIN7168)		WEIGHT:	UNIT : mm
±0,1	±0,1	g	mm
±0,2	±0,3	±0,5	m (medium)
SCALE:4:1			SHEET 1 OF 1

A4

