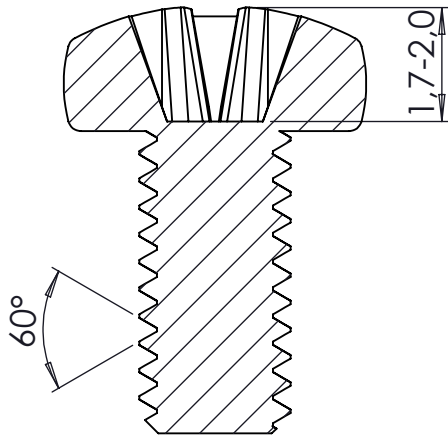
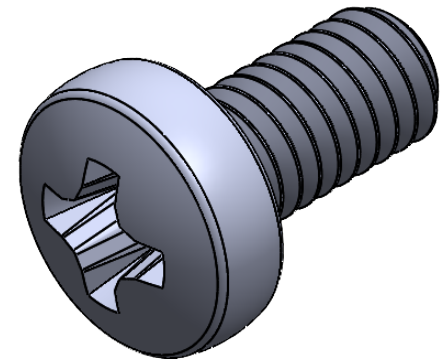
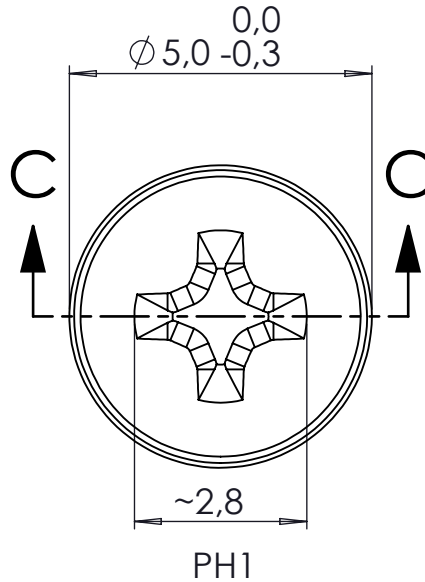



2.5x0.45 mm 6h
Thread



KESIT C-C



PH1

REV. NO	DATE	REVISED BY	DESCRIPTION OF CHANGE
			www.altinkaya.com
Customer Name:		Customer Ref.:	
Altinkaya Ref.: VD-325-5-0-M-D / VD-325-5-0-S-D		Part Name : M2,5 Pan Head Metric Screw - Zinc	
DRAWN		DATE	Drawn From:
S.YESILOZ		26.02.2025	Material : Metallic A2F Cr+3 / Black A2S Cr+3 over 20Mn-B4
CHECKED		DATE	WEIGHT:
Y.YEL		26.02.2025	g
DIMENSIONAL TOLERANCES UNLESS OTHERWISE SPECIFIED (DIN7168)		0,5-3mm	3-6mm
		±0,1	±0,1
		6-30mm	30-120mm
		±0,2	±0,3
		120-400mm	±0,5
		UNIT : mm	
		m (medium)	

A4