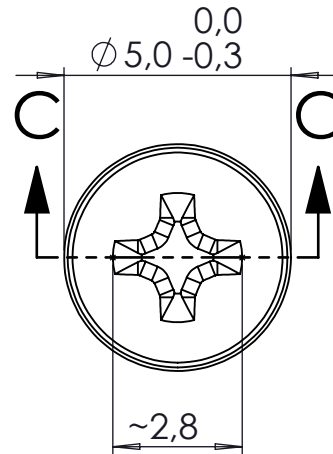



KESIT C-C



PH1

REV. NO	DATE	REVISED BY	DESCRIPTION OF CHANGE				
			www.altinkaya.com				
Customer Name:		Customer Ref.:					
Altinkaya Ref.: VD-325-6-0-M-D / VD-325-6-0-S-D		Part Name : M2,5 Pan Head Metric Screw - Zinc					
DRAWN		NAME	DATE	Drawn From:			
CHECKED		Y.YEL	26.02.2025	Material : Metallic A2F Cr+3 / Black A2S Cr+3 over 20Mn-B4			
DIMENSIONAL TOLERANCES UNLESS OTHERWISE SPECIFIED (DIN7168)		0.5-3mm	3-6mm	6-30mm	30-120mm	120-400mm	Dimension (mm)
		±0,1	±0,1	±0,2	±0,3	±0,5	m (medium)
		WEIGHT: g		UNIT : mm		A4	
		SCALE:6:1		SHEET 1 OF 1			