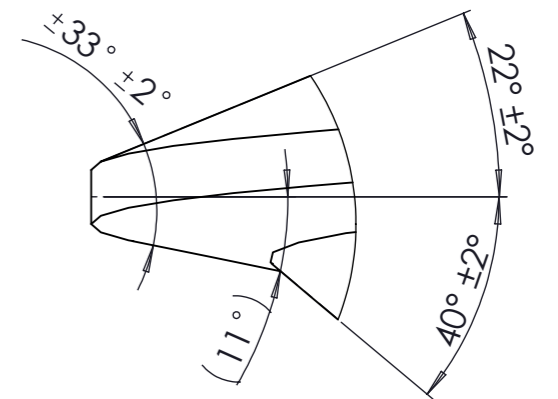
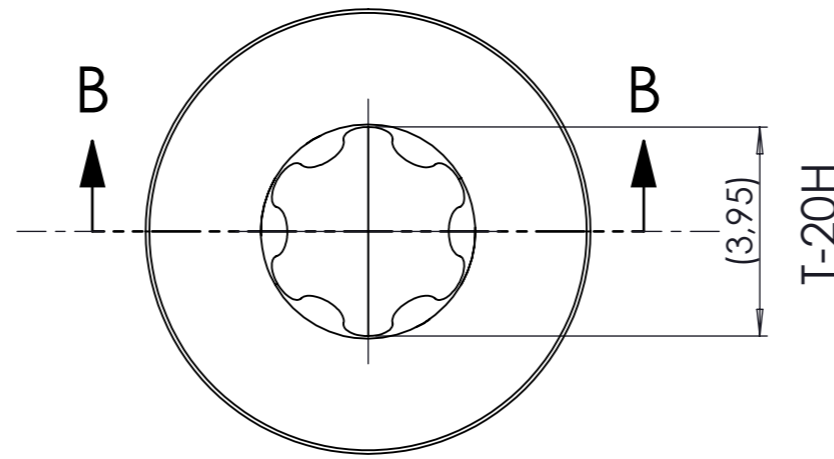



KESIT B-B



DETAY A
ÖLÇEK 70 : 1

REV. NO	DATE	REVISED BY	DESCRIPTION OF CHANGE
 ALTINKAYA Electronic Enclosures & Components			www.altinkaya.com
Customer Name:		Customer Ref:	
Altinkaya Ref : VD-4400-15-0-S-0 / VD-4400-15-0-M-0		Part Name : 4x15 mm Torx THB Aluminium Screw	
DRAWN	NAME	DATE	Drawn From:
	S. YESILOZ	26.02.2025	Material :
CHECKED	Y. YEL	26.02.2025	Weight: 1,49 g
DIMENSIONAL TOLERANCES UNLESS OTHERWISE SPECIFIED (DIN7185)			UNIT : mm
	±0,1	±0,1	6-30mm 30-120mm 120-400mm
		±0,2	±0,3 ±0,5
SCALE:7:1			SHEET 1 OF 1

A3