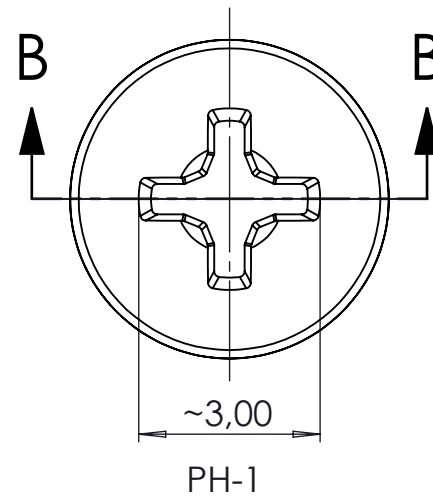



KESIT B-B



REV. NO	DATE	REVISED BY	DESCRIPTION OF CHANGE		
			www.altinkaya.com		
Customer Name:		Customer Ref:			
Altinkaya Ref : A-63-0-0-S-0 / A-63-0-0-M-0		Part Name : A-63 3x16 mm YSB PLS Screw			
	NAME	DATE	Drawn From:		
DRAWN	S. YESILOZ	21.01.2025	Material : Metallic A2S Cr+3 / Black A2S Cr+3 (5-8 Mic.) + (Degazaj) over 20Mn-B4		
CHECKED	Y. YEL	21.01.2025	Weight:	g	UNIT : mm
DIMENSIONAL TOLERANCES UNLESS OTHERWISE SPECIFIED (DIN7168)			0,5-3mm	3-6 mm	6-30mm
			$\pm 0,1$	$\pm 0,1$	$\pm 0,2$
			30-120mm	120-400mm	Dimension (mm)
			$\pm 0,3$	$\pm 0,5$	m (medium)
			SCALE:8:1		SHEET 1 OF 1

A3