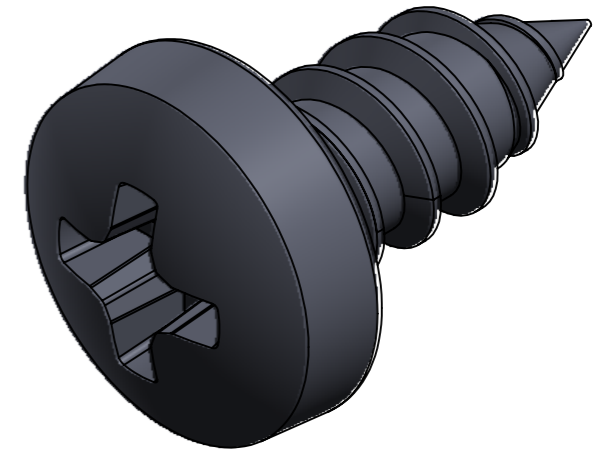
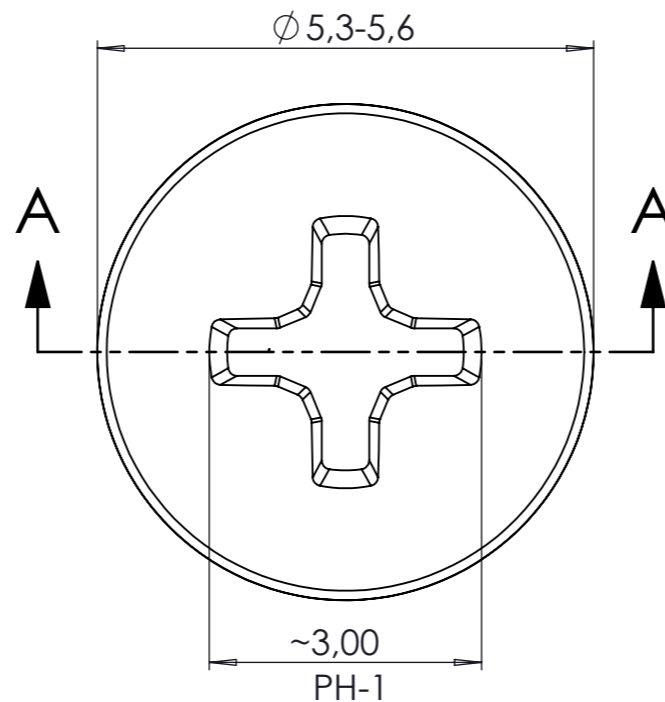
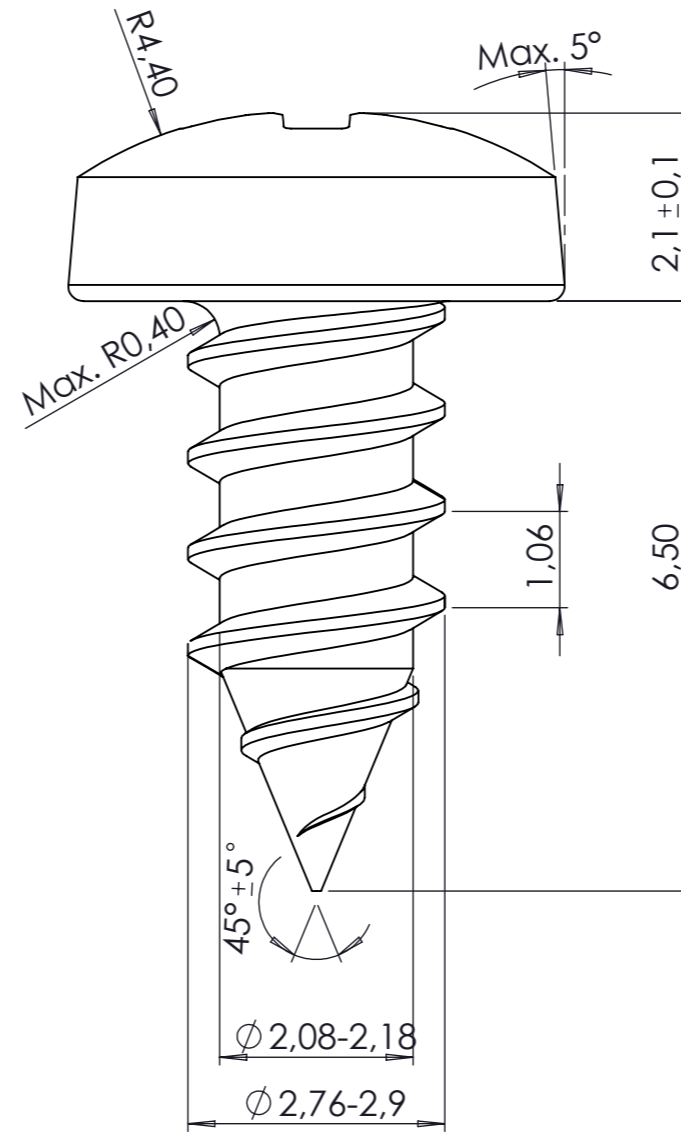



KESIT A-A



REV. NO	DATE	REVISED BY	DESCRIPTION OF CHANGE		
 ALTINKAYA Electronic Enclosures & Components			www.altinkaya.com		
Customer Name:		Customer Ref:			
Altinkaya Ref : A-636-0-0-M-0 / A-636-0-0-S-0		Part Name : 2,9x6,5 mm YSB SC Metallic Screw			
DRAWN	NAME	DATE	Drawn From:		
	S. YESILOZ	20.02.2025	Material : A2F Cr+3 / Black A2S Cr+3 over 20Mn-B4		
CHECKED	Y. YEL	20.02.2025	Weight:	g	UNIT : mm
DIMENSIONAL TOLERANCES UNLESS OTHERWISE SPECIFIED (DIN7168)			0,5-3mm	3-6 mm	6-30mm
			±0,1	±0,1	±0,2
			30-120mm	120-400mm	Dimension (mm)
			±0,3	±0,5	m (medium)
SCALE:12:1					SHEET 1 OF 1

A3