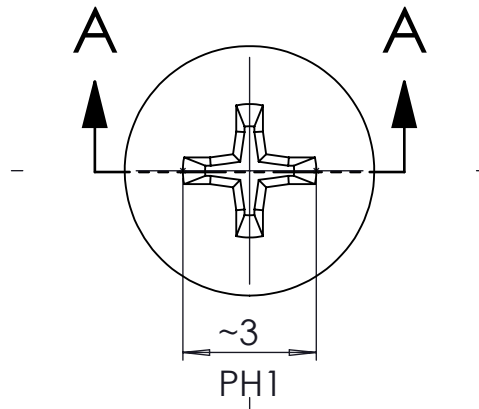



KESIT A-A



REV. NO	DATE	REVISED BY	DESCRIPTION OF CHANGE		
			www.altinkaya.com		
Customer Name:		Customer Ref.:			
Altinkaya Ref.: A-652-0-0-M-0 / A-652-0-0-S-0		Part Name : A-652 2,9x9,5 mm YHB SC Screw			
DRAWN		NAME	DATE	Drawn From:	
S.YESILOZ			13.02.2025	Material : Metallic A2F Cr+3 / Black A2S Cr+3 over 20Mn-B4	
CHECKED		Y.YEL	13.02.2025	WEIGHT:	UNIT : mm
DIMENSIONAL TOLERANCES UNLESS OTHERWISE SPECIFIED (DIN7168)		0,5-3mm	3-6mm	6-30mm	30-120mm
		±0,1	±0,1	±0,2	±0,3
				±0,5	±0,5
					m (medium)
SCALE:6:1				SHEET 1 OF 1	

A4

