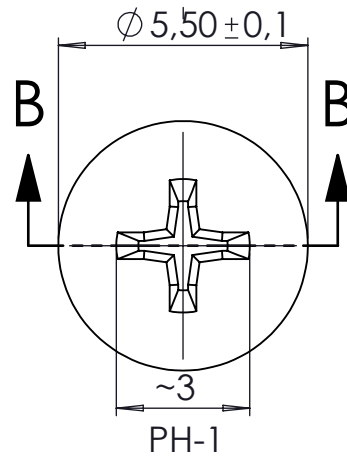



KESIT B-B



REV. NO	DATE	REVISED BY	DESCRIPTION OF CHANGE		
			<a href="http://www.altinkaya.com">www.altinkaya.com</a>		
Customer Name:		Customer Ref.:			
Altinkaya Ref.: A-619-0-0-M-0 / A-619-0-0-S-0		Part Name : A-619 3x12 mm YHB PLS Screw			
DRAWN		NAME	DATE	Drawn From:	
S.YESILOZ		Y.YEL	14.02.2025	Material : Metallic A2F Cr+3 / Black A2S Cr+3 over 20Mn-B4	
CHECKED		Y.YEL	14.02.2025	WEIGHT:	UNIT : mm
DIMENSIONAL TOLERANCES UNLESS OTHERWISE SPECIFIED (DIN7168)		0,5-3mm	3-6mm	6-30mm	30-120mm
		±0,1	±0,1	±0,2	±0,3
				±0,5	±0,5
					m (medium)
				SCALE:6:1	SHEET 1 OF 1

A4

