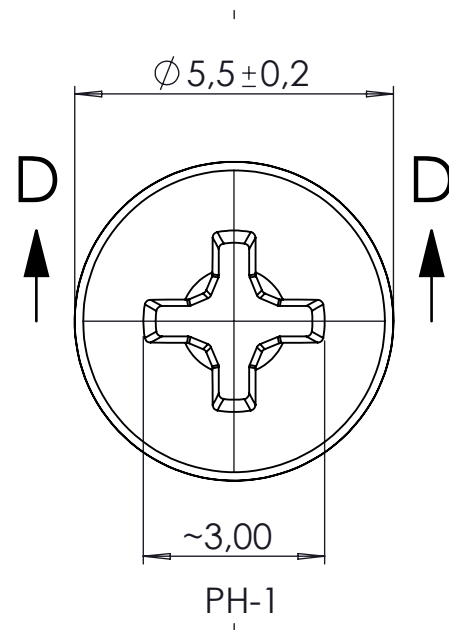



KESIT D-D



REV. NO	DATE	REVISED BY	DESCRIPTION OF CHANGE		
 ALTINKAYA Electronic Enclosures & Components			www.altinkaya.com		
			Customer Name:		Customer Ref:
Altinkaya Ref : A-618-0-0-S-0 / A-618-0-0-M-0		Part Name : A-618 3x6.5 mm PYSB Screw			
	NAME	DATE	Drawn From:		
DRAWN	S. YESILOZ	13.02.2025	Material : Metallic A2S Cr+3 / Black A2S Cr+3 (5-8 Mic.) + (Degazaj) over 20Mn-B4		
CHECKED	Y. YEL	13.02.2025	Weight:	g	UNIT : mm
DIMENSIONAL TOLERANCES UNLESS OTHERWISE SPECIFIED (DIN7168)			0,5-3mm	3-6 mm	6-30mm
			±0,1	±0,1	±0,2
			±0,3	±0,5	Dimension (mm)
			m (medium)		
SCALE:8:1					SHEET 1 OF 1

A3