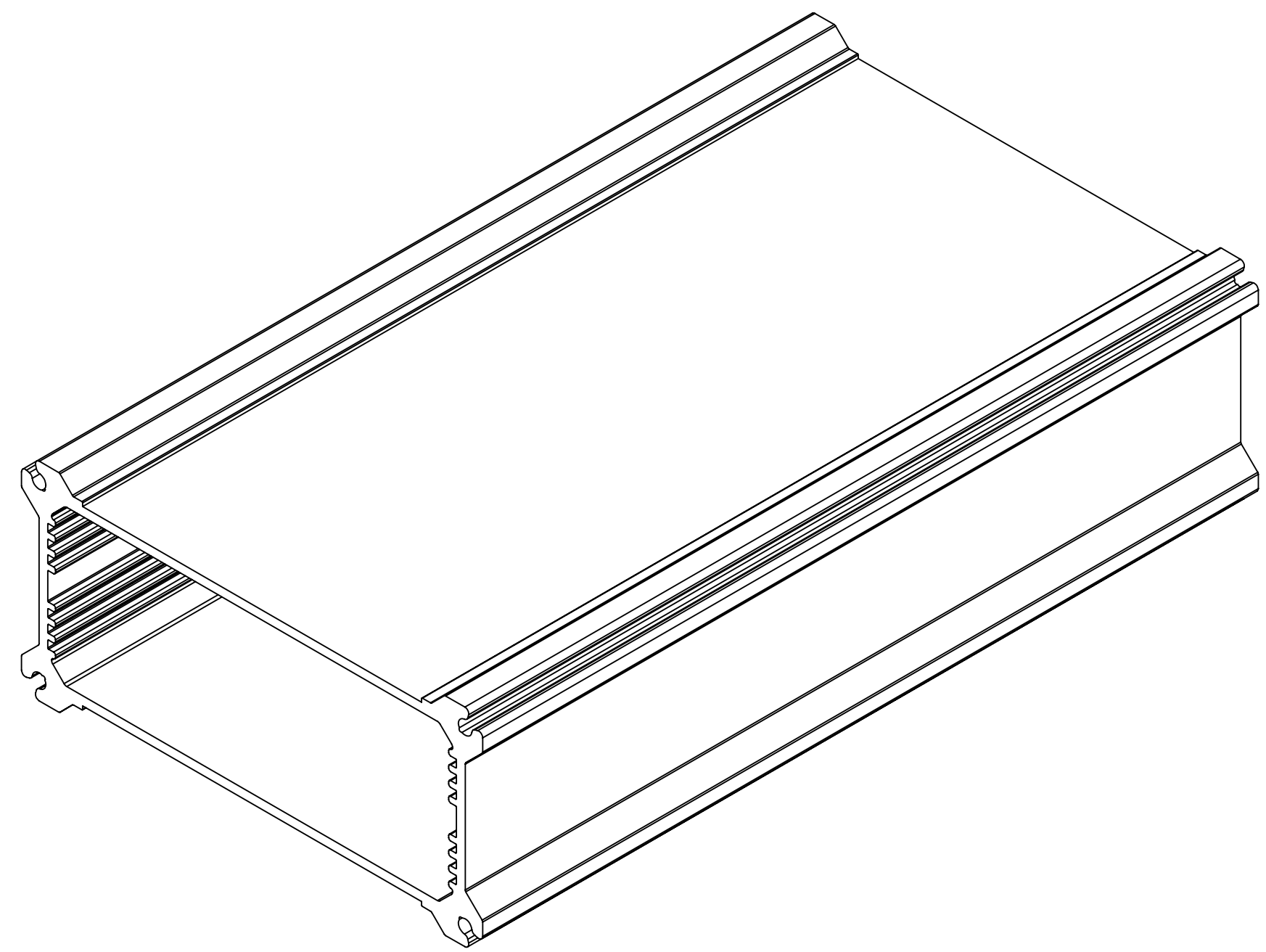
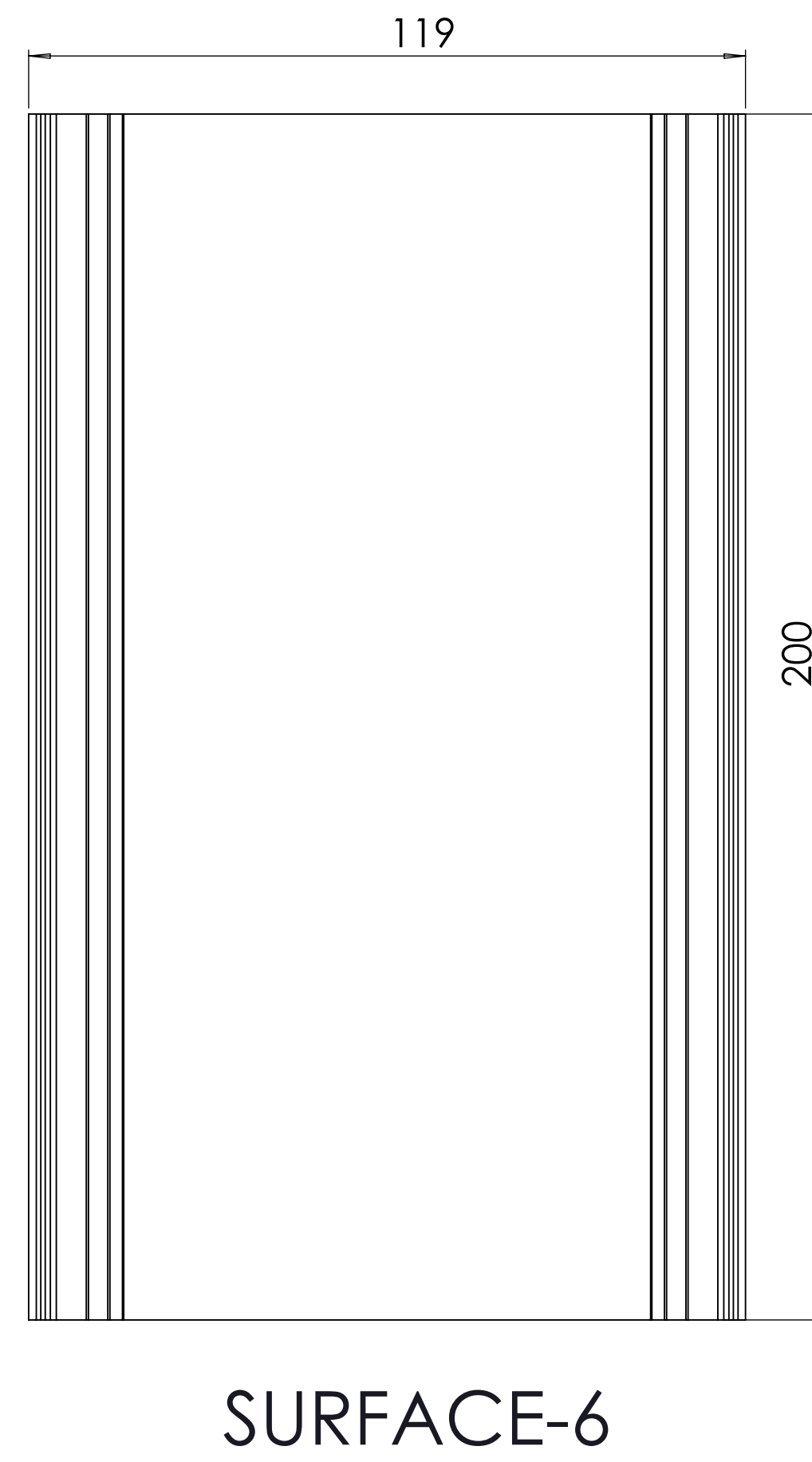
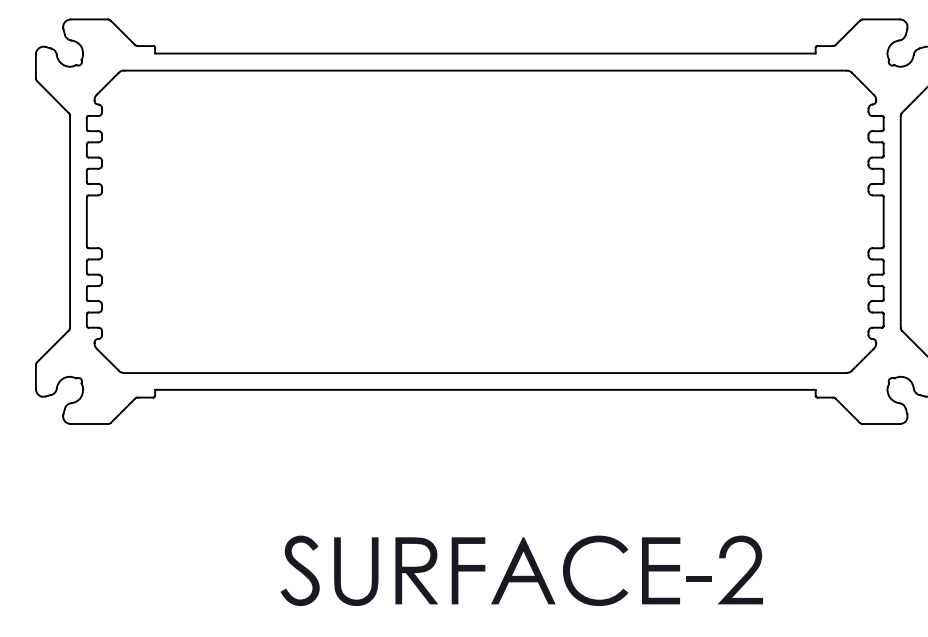
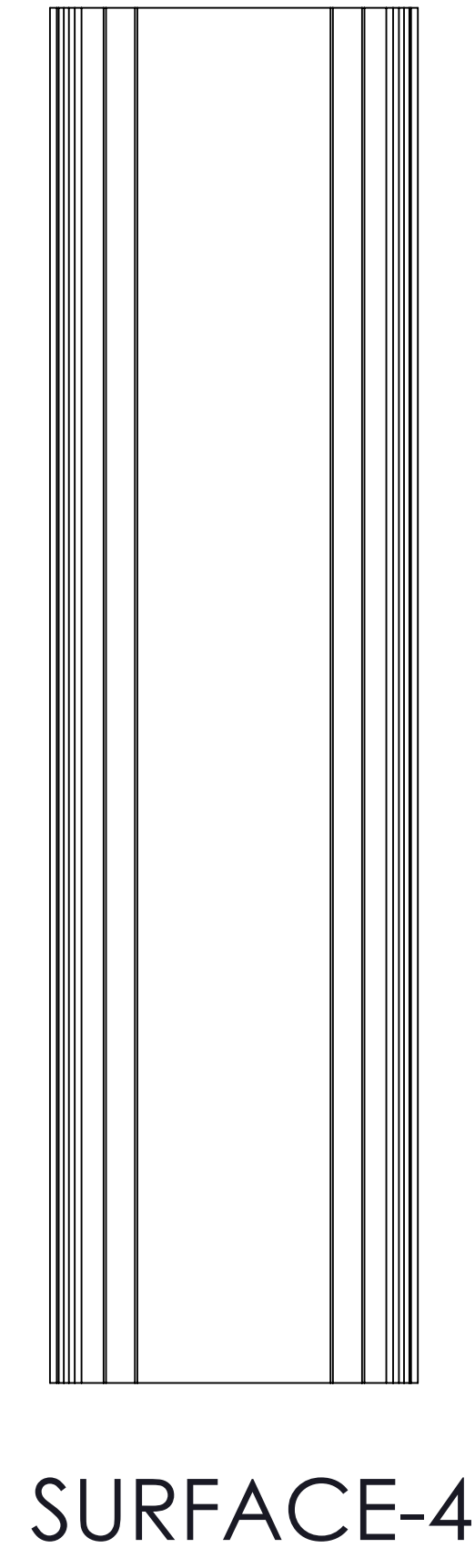
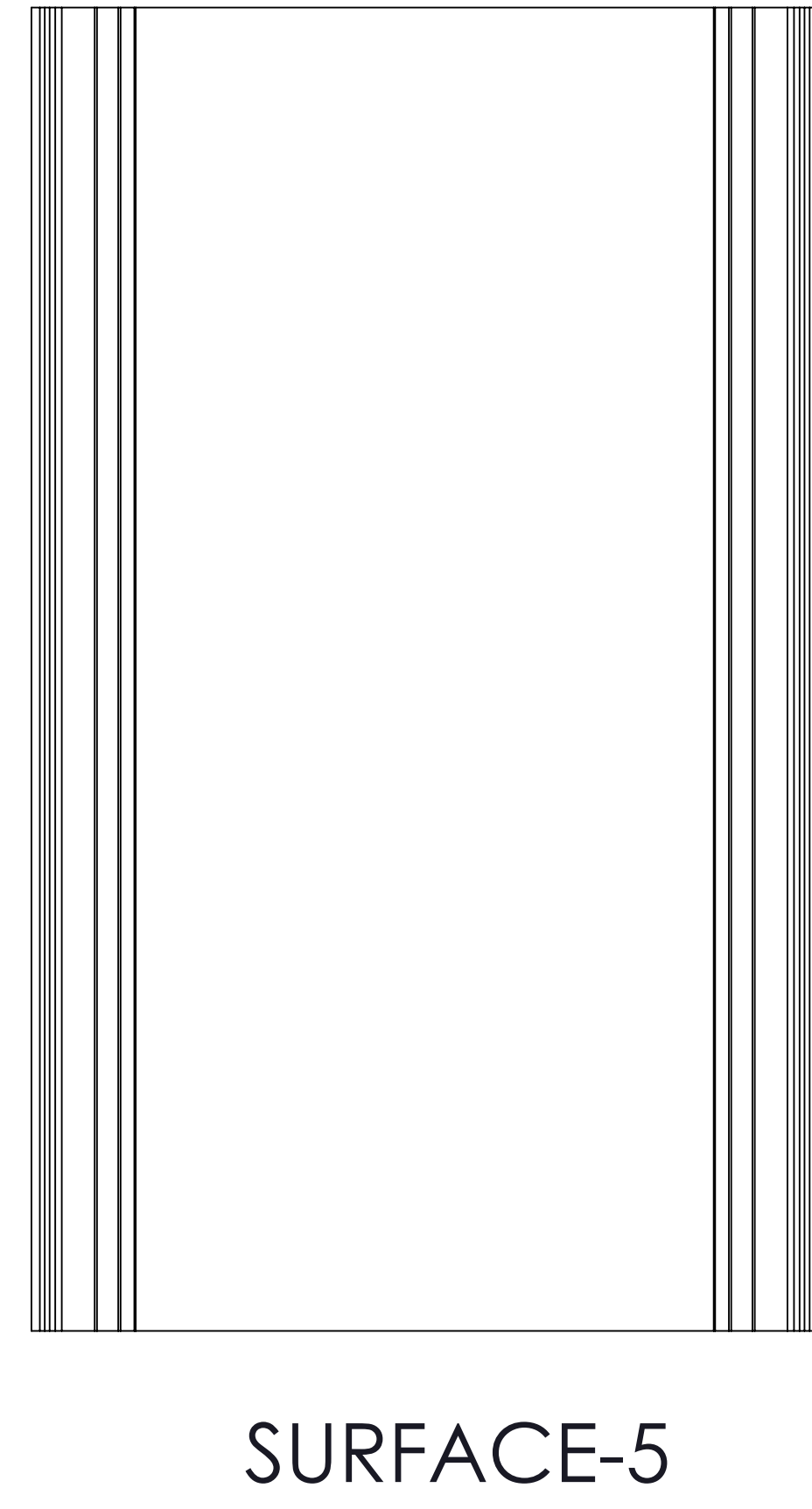
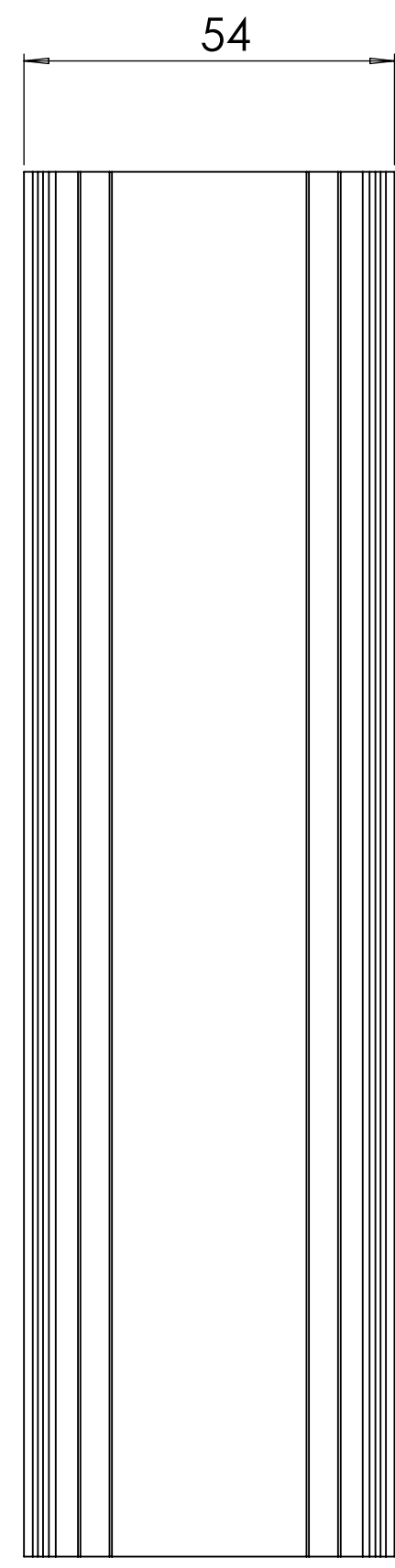
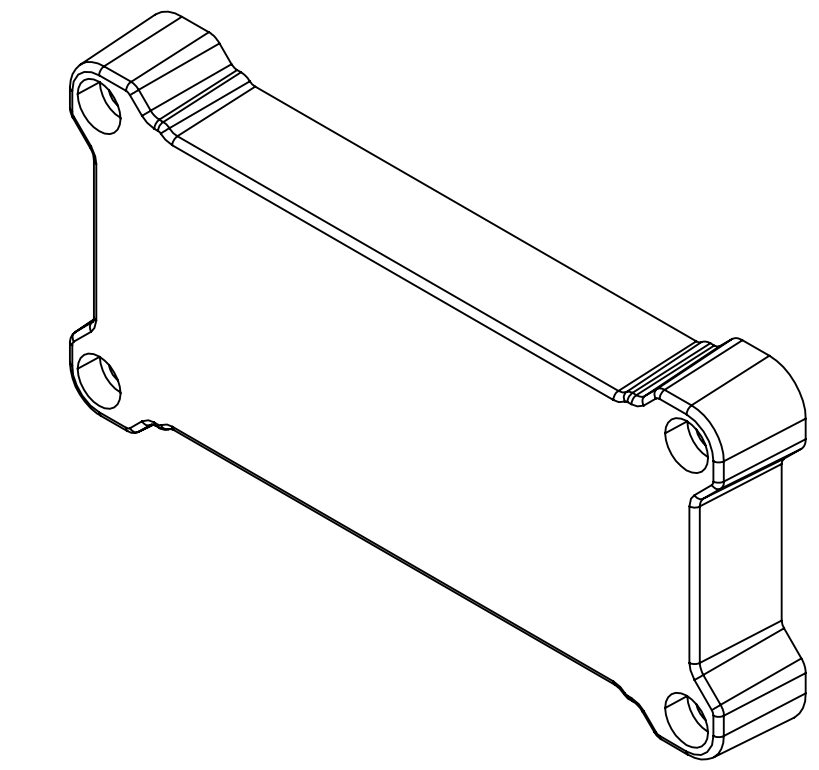
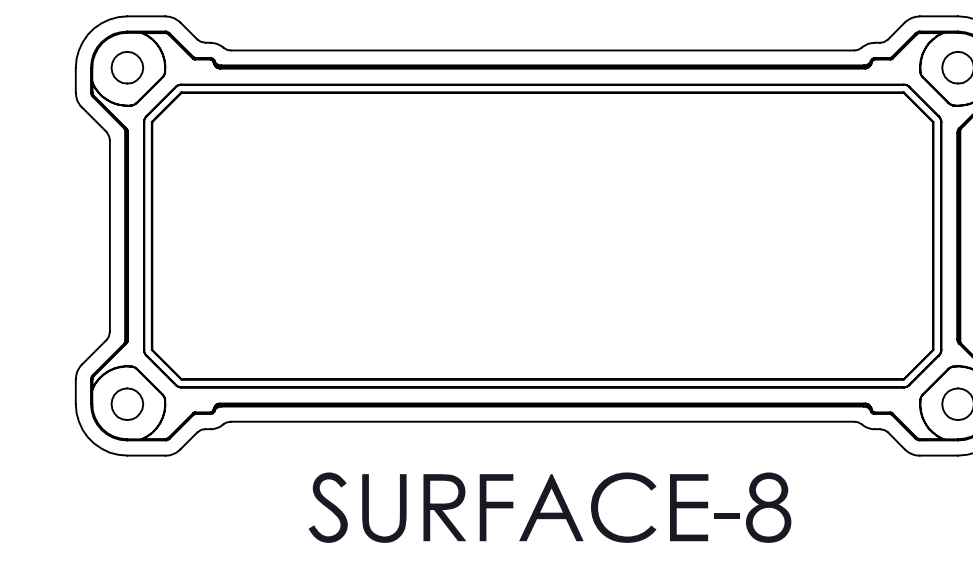
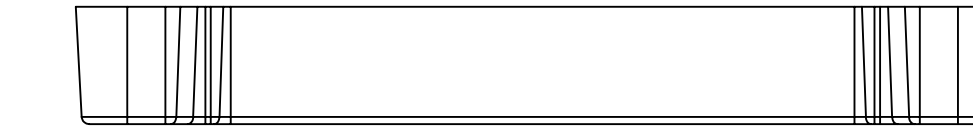
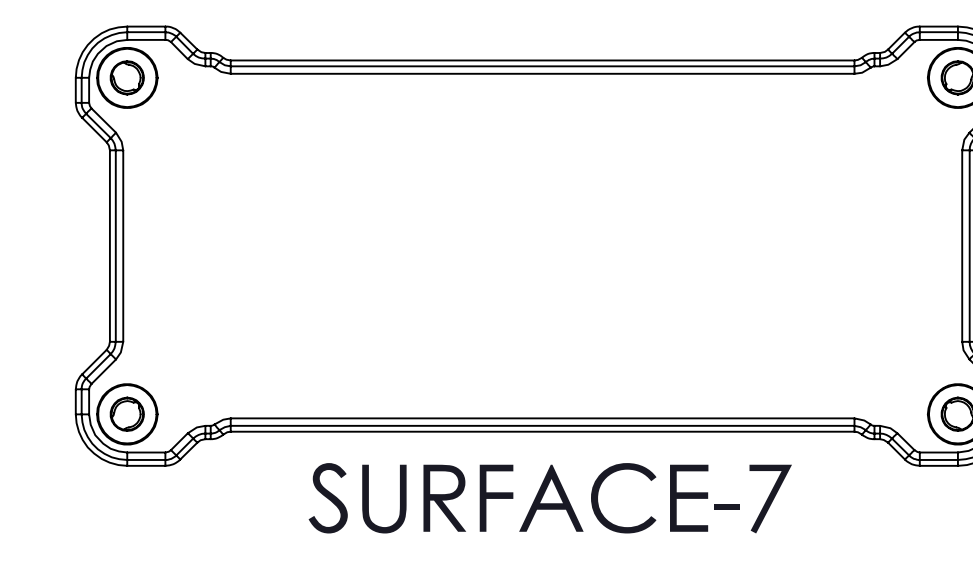


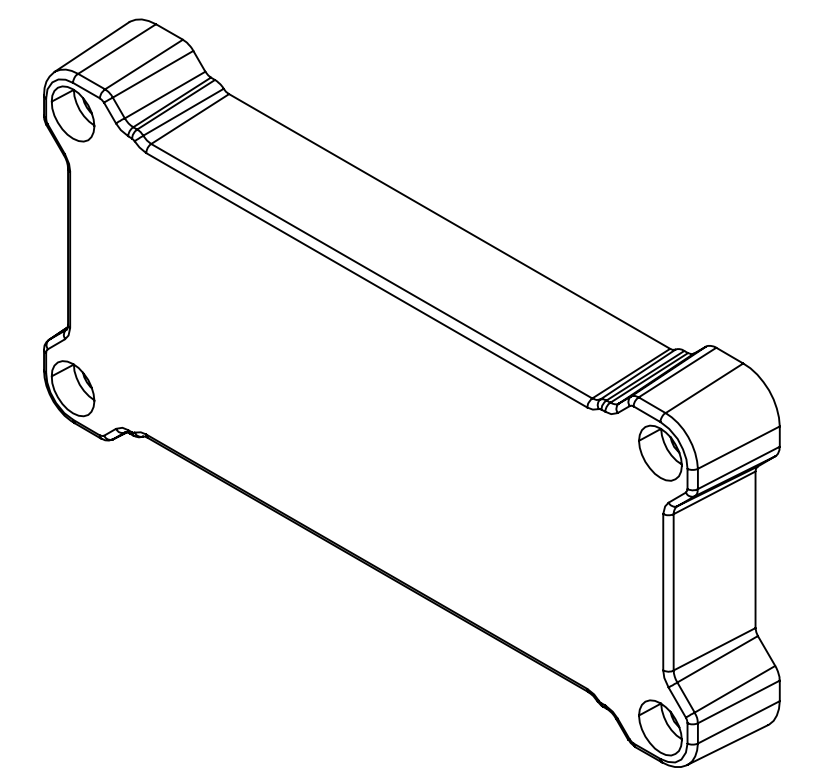
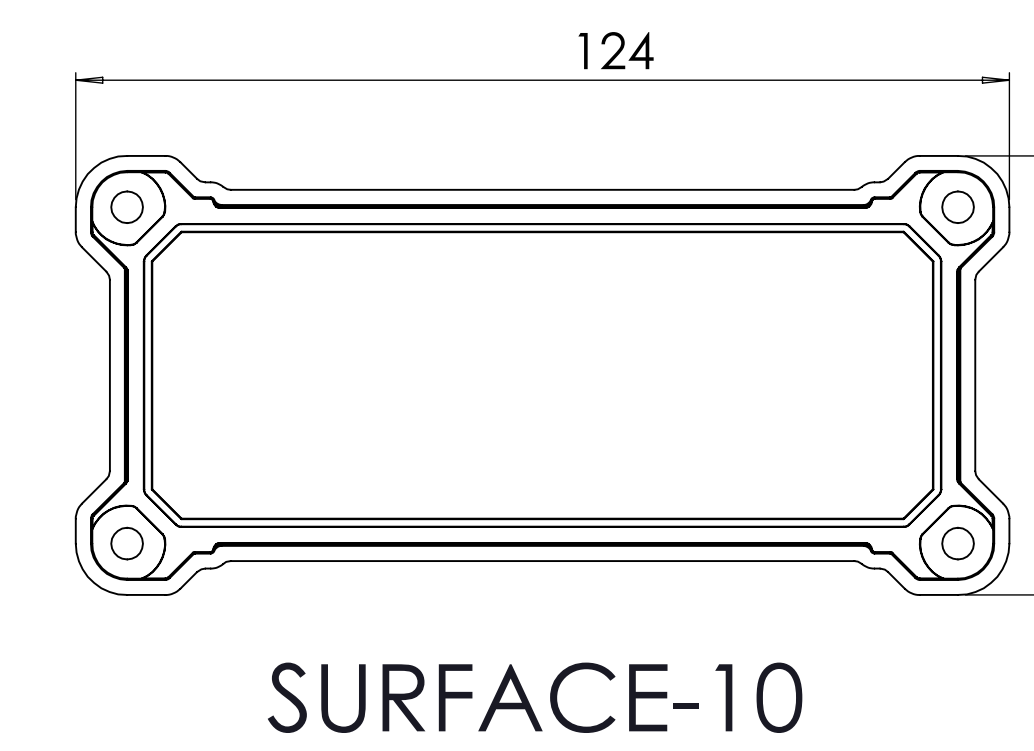
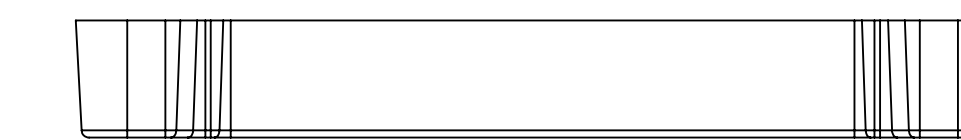
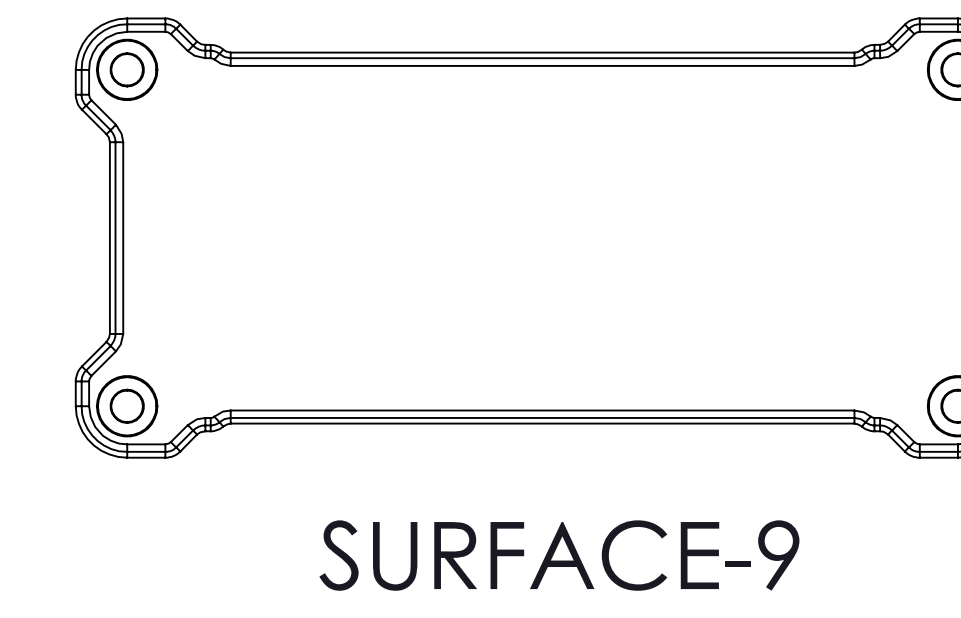
BASE: 6 SURFACE




COVER-1: 2 SURFACE

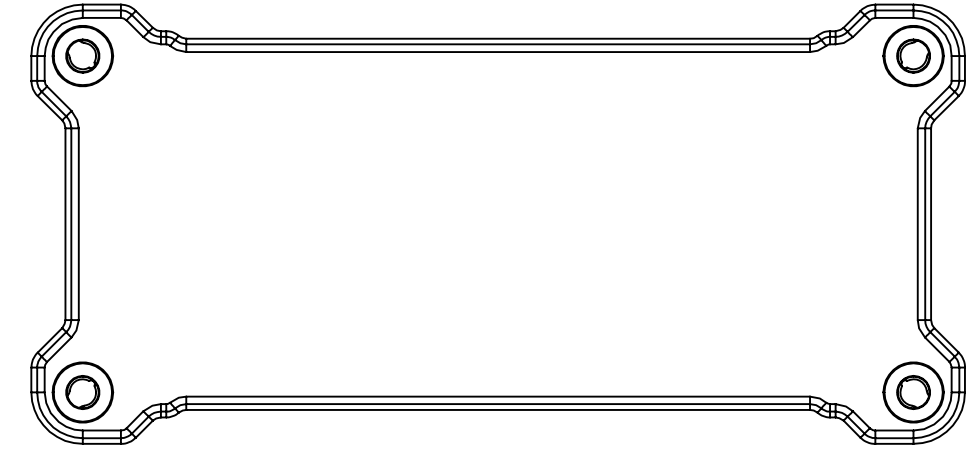


COVER-2: 2 SURFACE

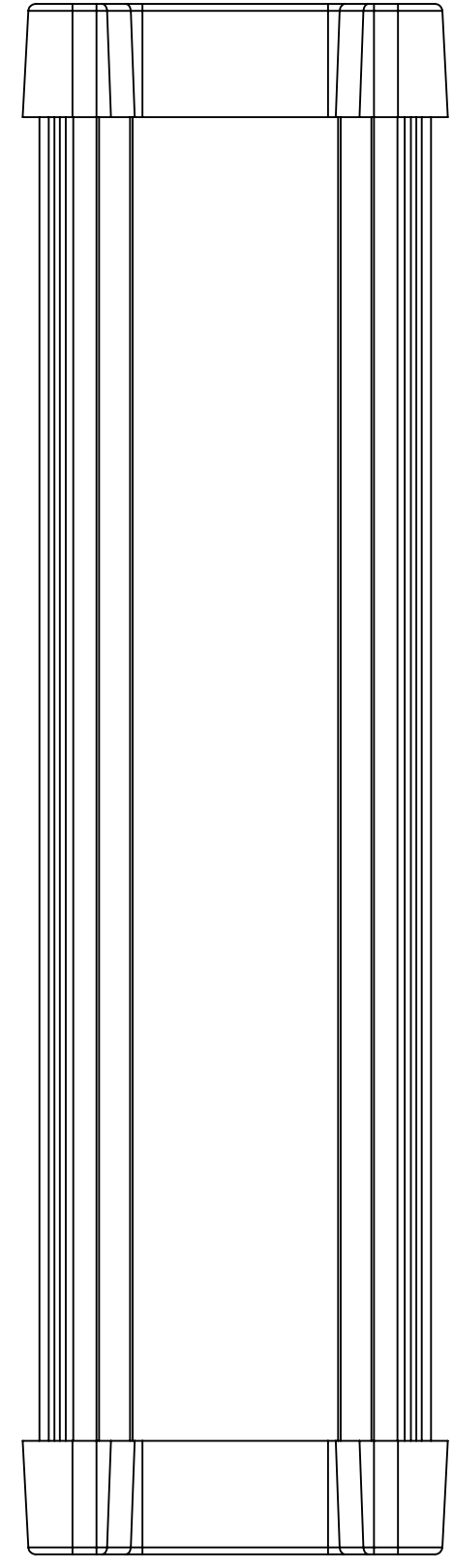


REV. NO	DATE	REVISED BY	DESCRIPTION OF CHANGE		
 ALTINKAYA Electronic Enclosures & Components			www.altinkaya.com		
Customer Name:		Customer Ref.:			
Altinkaya Ref.:		Part Name: AL-125-20			
DRAWN	NAME	DATE	Drawn From:	SCALE 1:1	
CHECKED	Y.YEL	21.01.2025	Weight:	SHEET 1 OF 2	
DIMENSIONAL TOLERANCES UNLESS OTHERWISE SPECIFIED (DIN7168)			0.5-3mm	3-6mm	6-30mm
			±0.1	±0.1	±0.2
			30-120mm	120-400mm	Dimension (mm)
			±0.3	±0.5	m (Medium)
			3	2	1

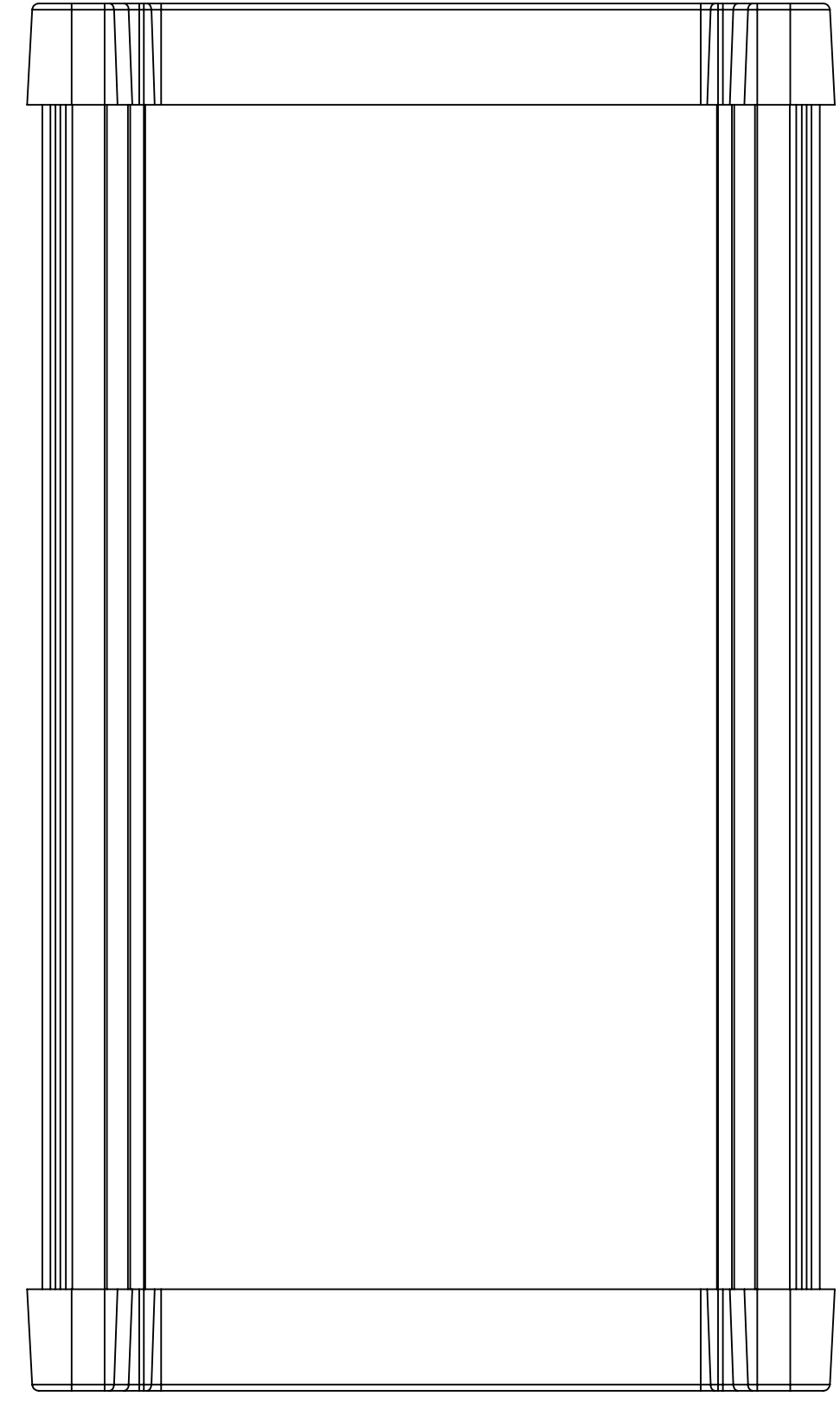
AL-125-20 IF MACHINED TOGETHER



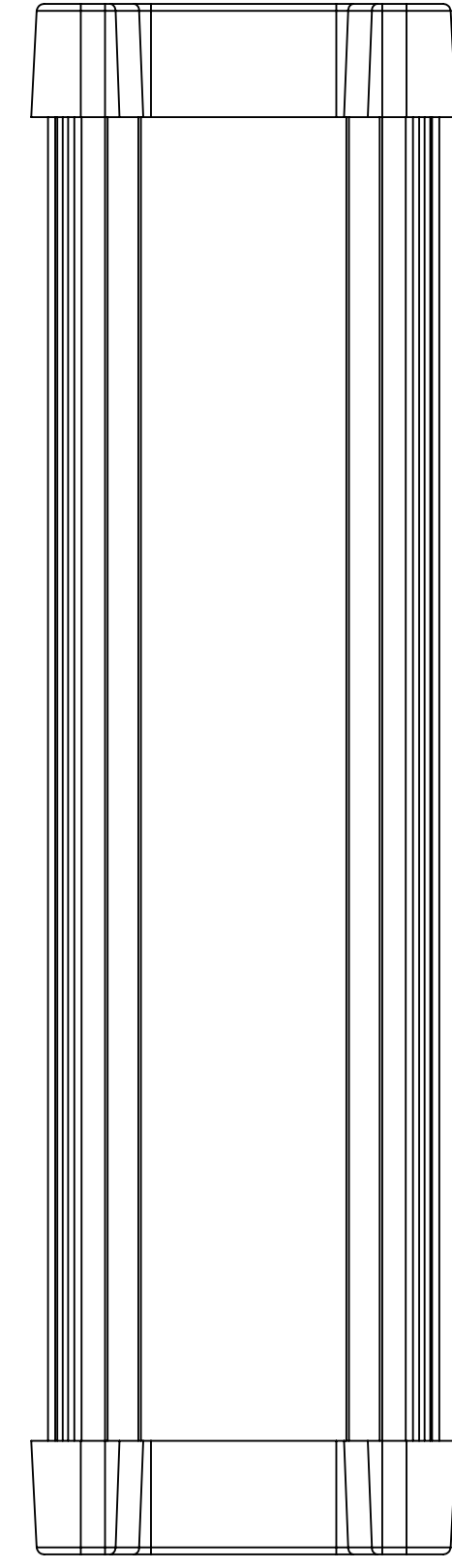
SURFACE-13



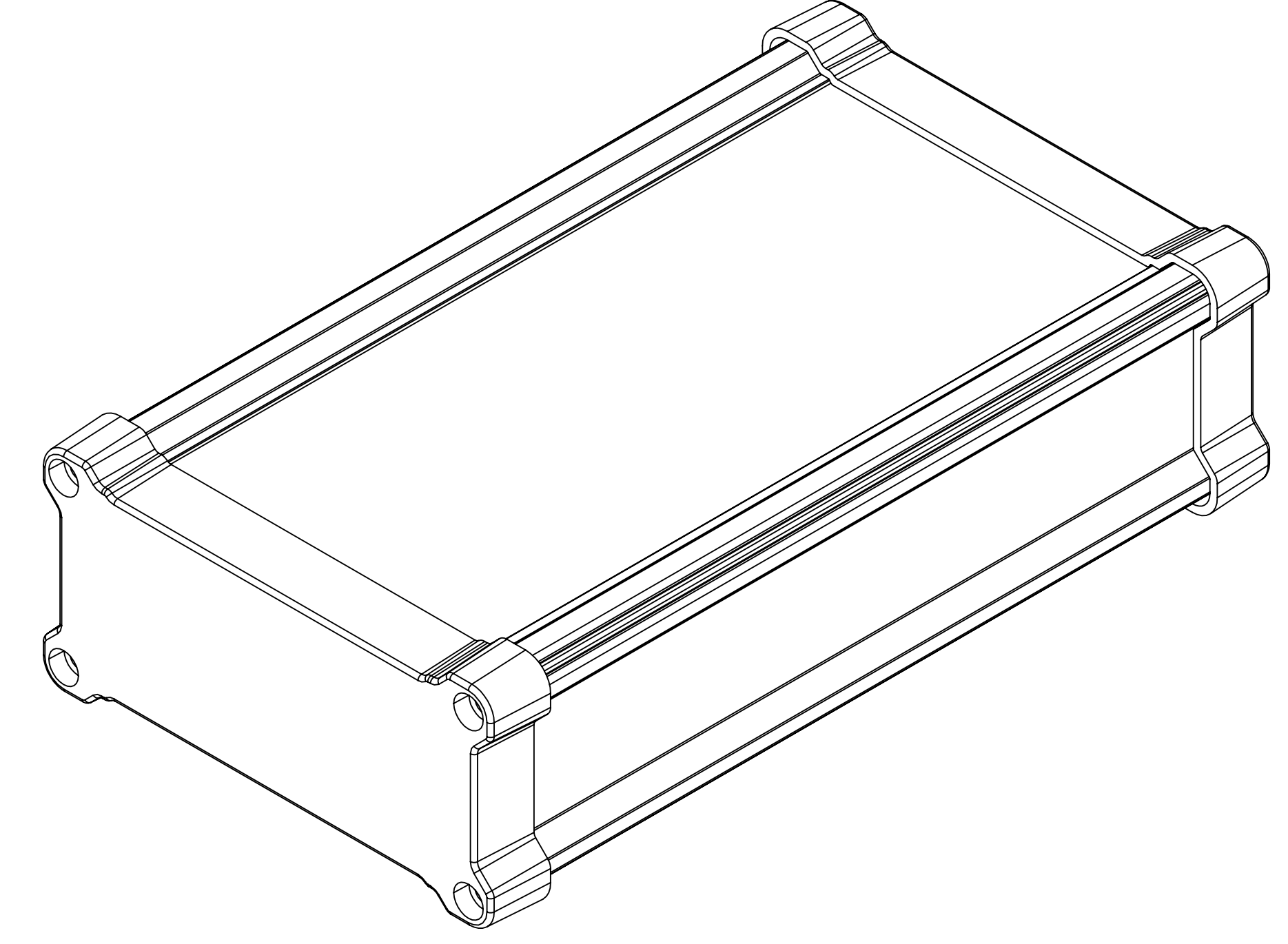
SURFACE-15



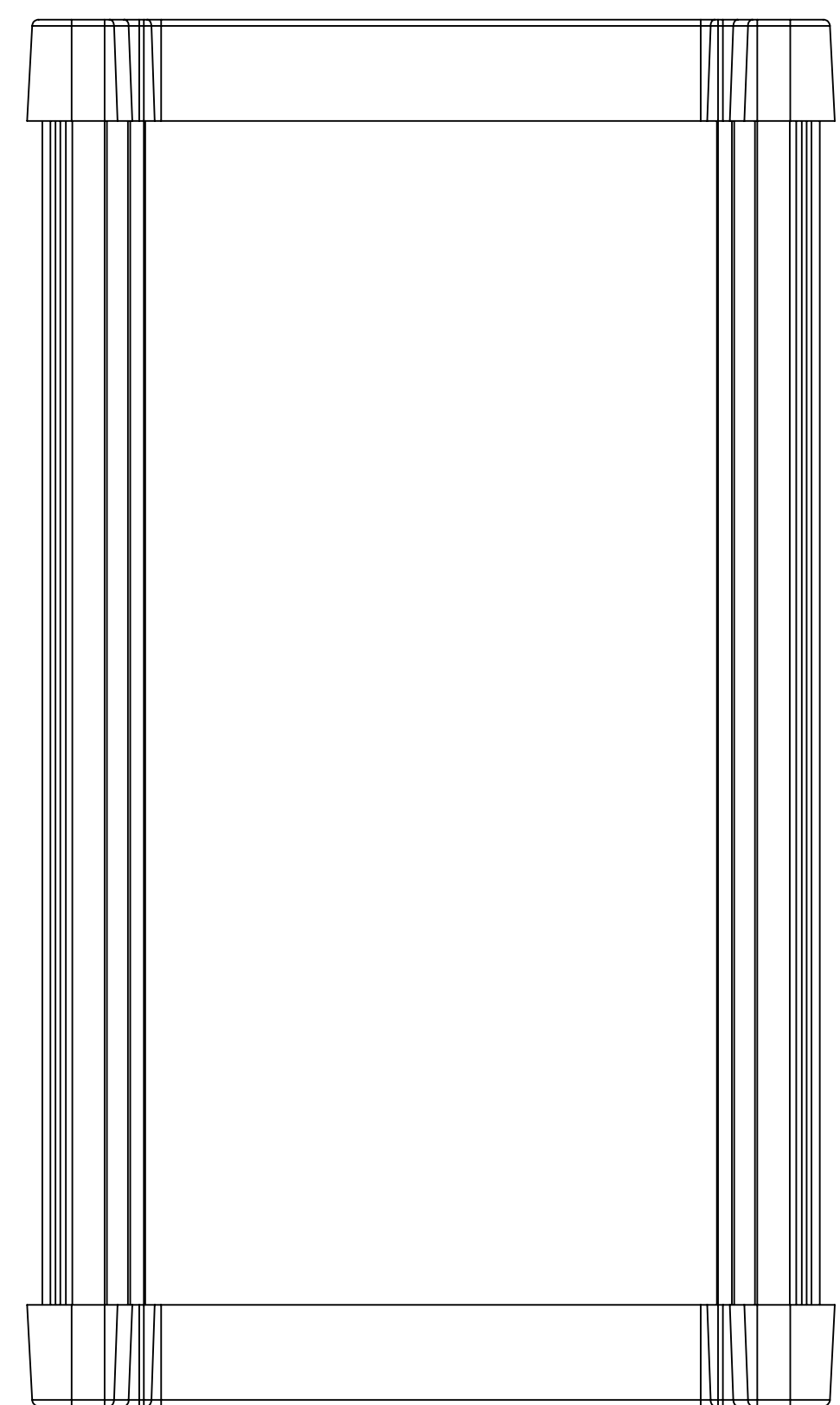
SURFACE-17



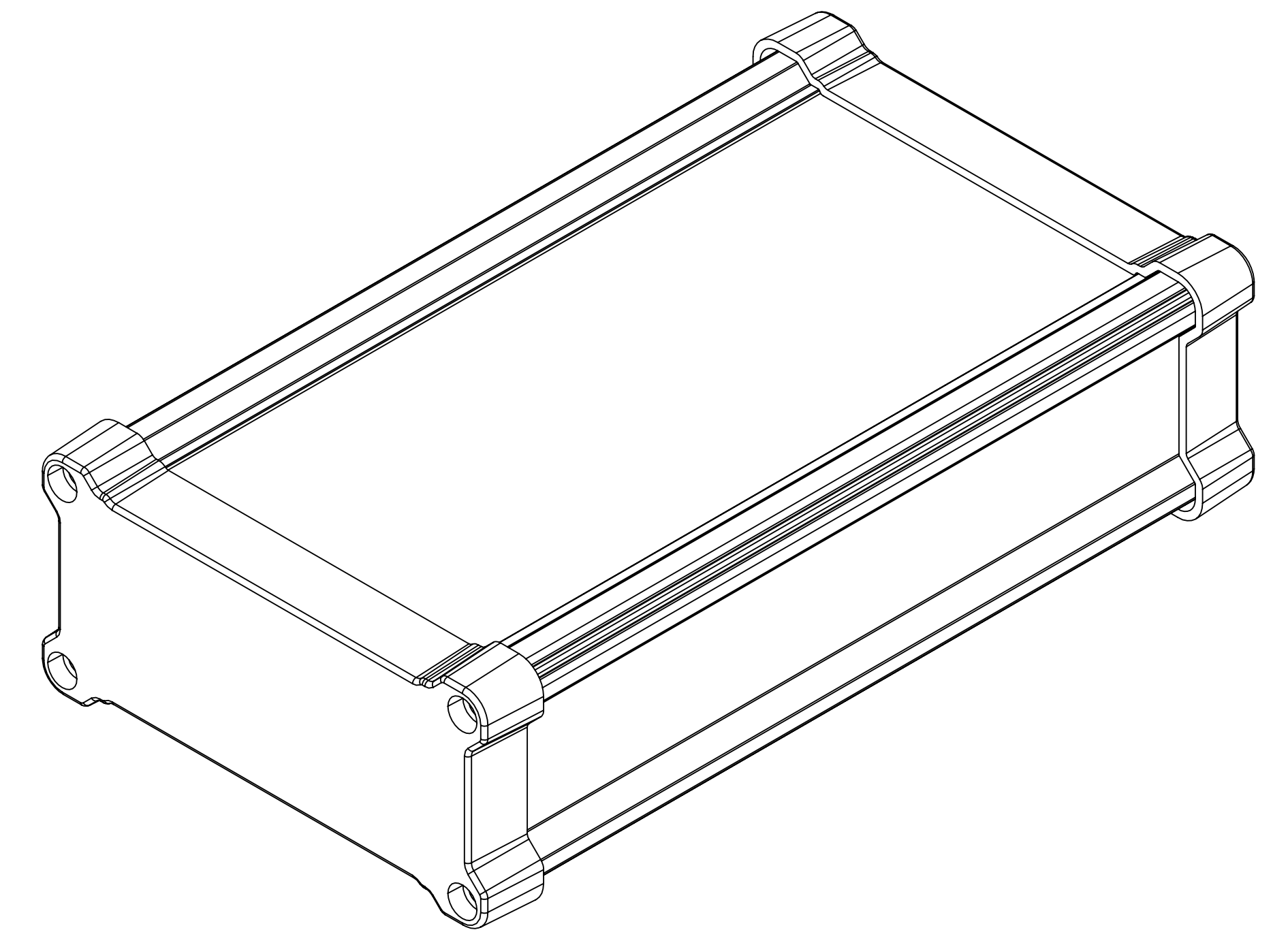
SURFACE-16




SURFACE-14



SURFACE-18



REV. NO	DATE	REVISED BY	DESCRIPTION OF CHANGE
 ALTINKAYA Electronic Enclosures & Components			www.altinkaya.com
Customer Name:		Customer Ref.:	
Altinkaya Ref.:		Part Name: AL-125-20	
DRAWN	NAME	DATE	Drawn From:
CHECKED	Y.YEL	21.01.2025	Material:
DIMENSIONAL TOLERANCES UNLESS OTHERWISE SPECIFIED (DIN7168)		0.5-3mm	3-6mm
		±0.1	±0.1
		6-30mm	30-120mm
		±0.2	±0.3
		120-400mm	±0.5
		Dimension (mm)	m (Medium)
SCALE 1:1			SHEET 2 OF 2
UNIT: mm			A0