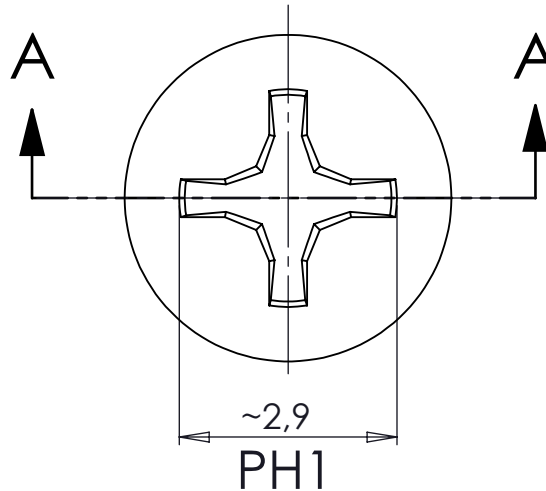



KESIT A-A



REV. NO	DATE	REVISED BY	DESCRIPTION OF CHANGE
 <b>ALTINKAYA</b> Electronic Enclosures & Components			<a href="http://www.altinkaya.com">www.altinkaya.com</a>
Customer Name:		Customer Ref.:	
Altinkaya Ref.: A-671-0-0-M-0 /A-671-0-0-S-0		Part Name : M3x5 mm YHB Screw	
DRAWN		NAME	DATE
CHECKED		Y.YEL	8.11.2024
DRAWTN		S.YESILOZ	8.11.2024
MATERIAL :		Metallic A2F Cr+3 /Black A2S Cr+3 over 20Mn-B4	
WEIGHT:		0.33g	
UNIT :		mm	
DIMENSIONAL TOLERANCES UNLESS OTHERWISE SPECIFIED (DIN7168)		0.5-3mm	3-6mm
		6-30mm	30-120mm
		120-400mm	Dimension (mm)
		±0,1	±0,1
		±0,2	±0,3
		±0,5	m (medium)
		A4	
SCALE:8:1		SHEET 1 OF 1	