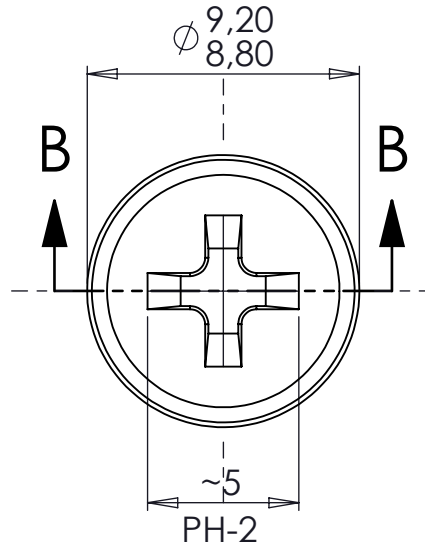


KESIT B-B



REV. NO	DATE	REVISED BY	DESCRIPTION OF CHANGE
		www.altinkaya.com	
Customer Name:		Customer Ref.:	
Altinkaya Ref.: PS-501-14-0-N-0		Part Name : M5 Plastic Screw	
DRAWN	NAME	DATE	Drawn From:
CHECKED	Y.YEL	11.01.2025	Material : PA6 %30GF
DIMENSIONAL TOLERANCES UNLESS OTHERWISE SPECIFIED (DIN7168)		WEIGHT:	UNIT : mm
±0,1	±0,1	±0,2	±0,3
±0,5	±0,5	±0,5	±0,5
SCALE:4:1			SHEET 1 OF 1

A4