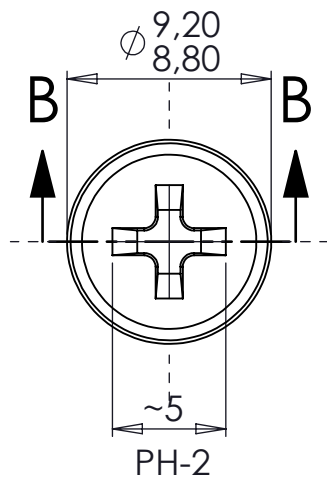



KESIT B-B



REV. NO	DATE	REVISED BY	DESCRIPTION OF CHANGE				
			www.altinkaya.com				
Customer Name:		Customer Ref.:					
Altinkaya Ref.: PS-501-16-0-N-0		Part Name : M5 Plastic Screw					
DRAWN	NAME	DATE	Drawn From:				
CHECKED	Y.YEL	11.01.2025	Material : PA6 %30GF				
DIMENSIONAL TOLERANCES UNLESS OTHERWISE SPECIFIED (DIN7168)		0,5-3mm	3-6mm	6-30mm	30-120mm	120-400mm	UNIT : mm
		±0,1	±0,1	±0,2	±0,3	±0,5	m (medium)
SCALE:3:1						SHEET 1 OF 1	

A4

