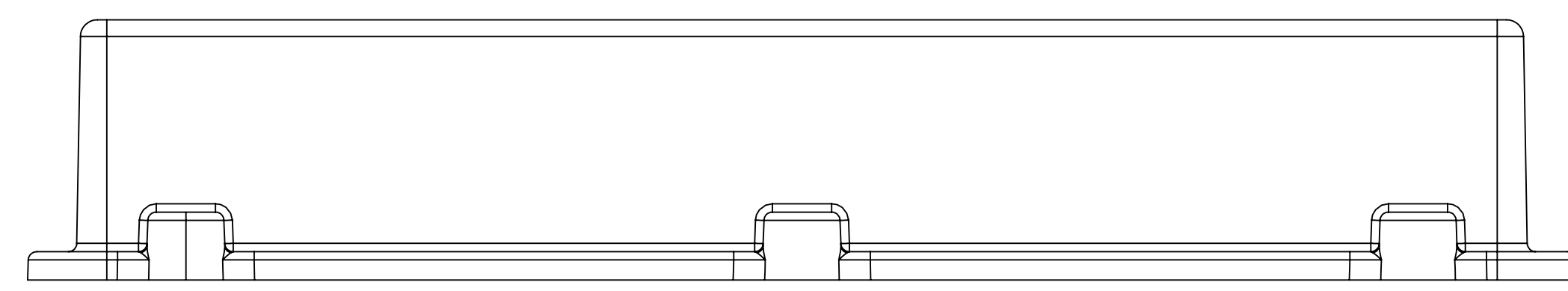
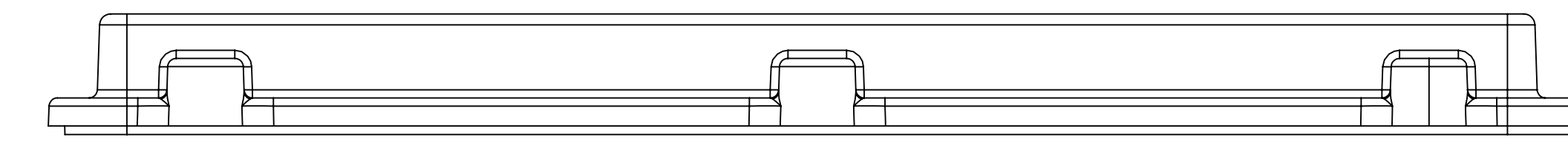


BASE: 6 SURFACE

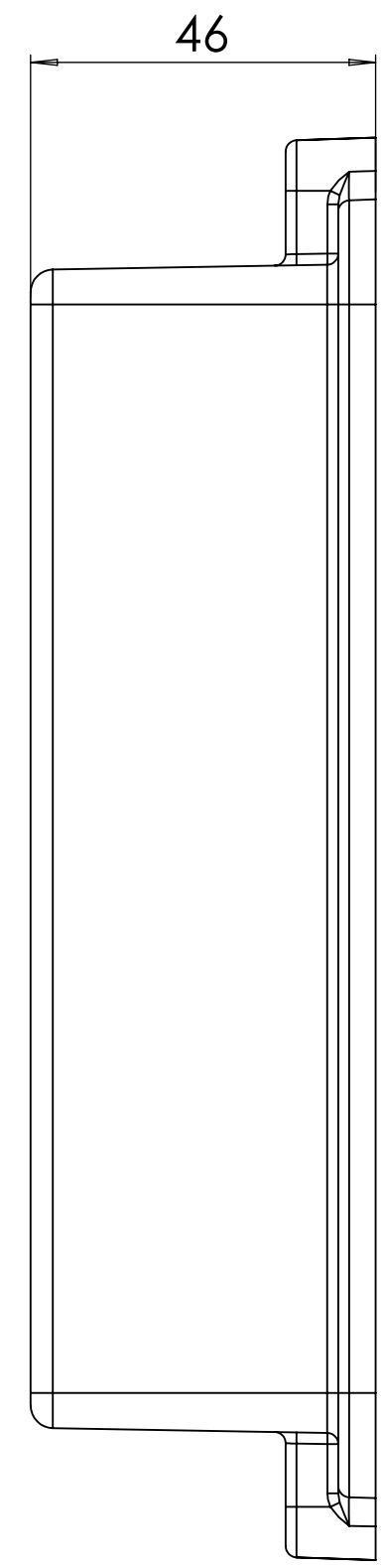
COVER: 6 SURFACE



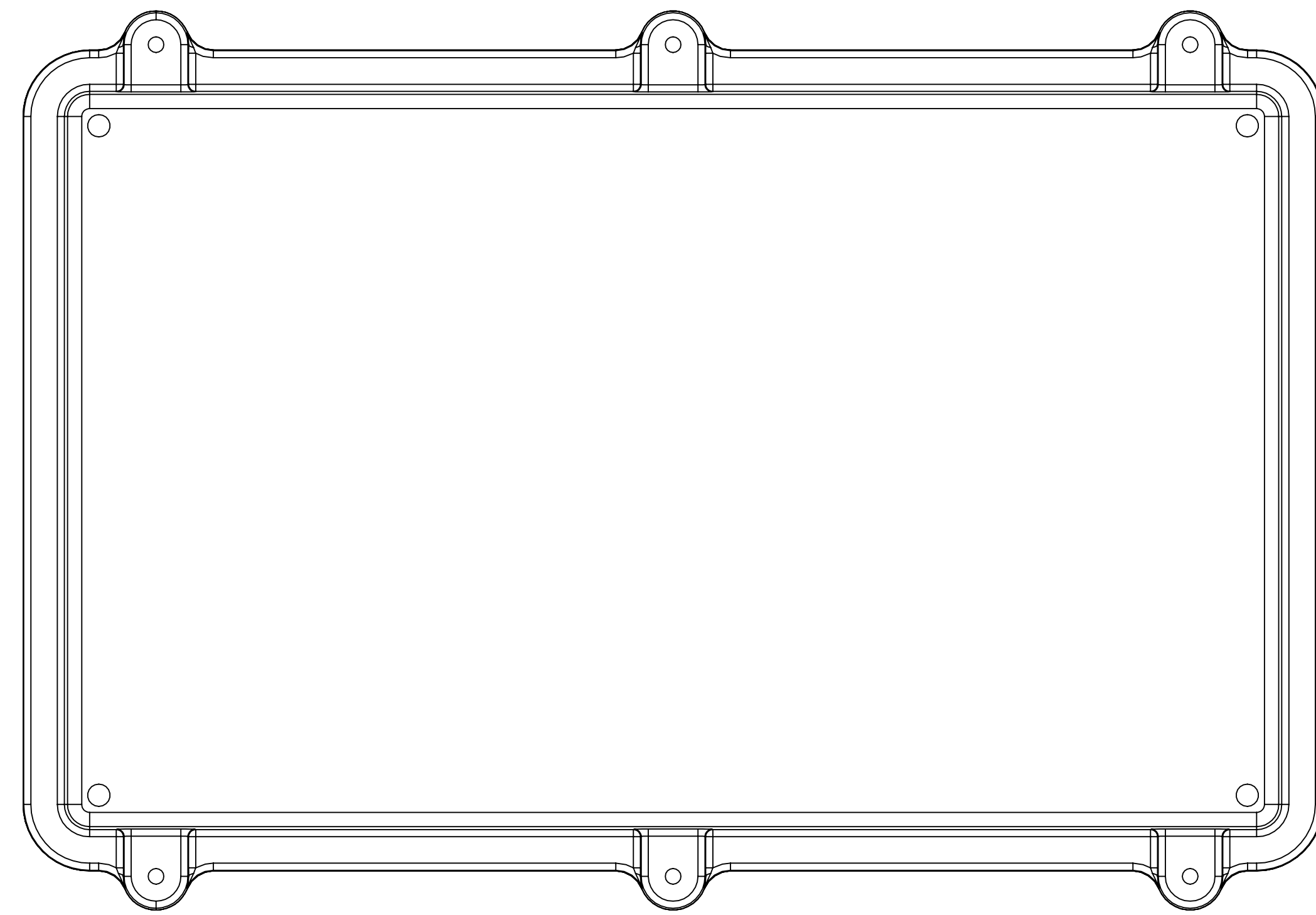
SURFACE-1



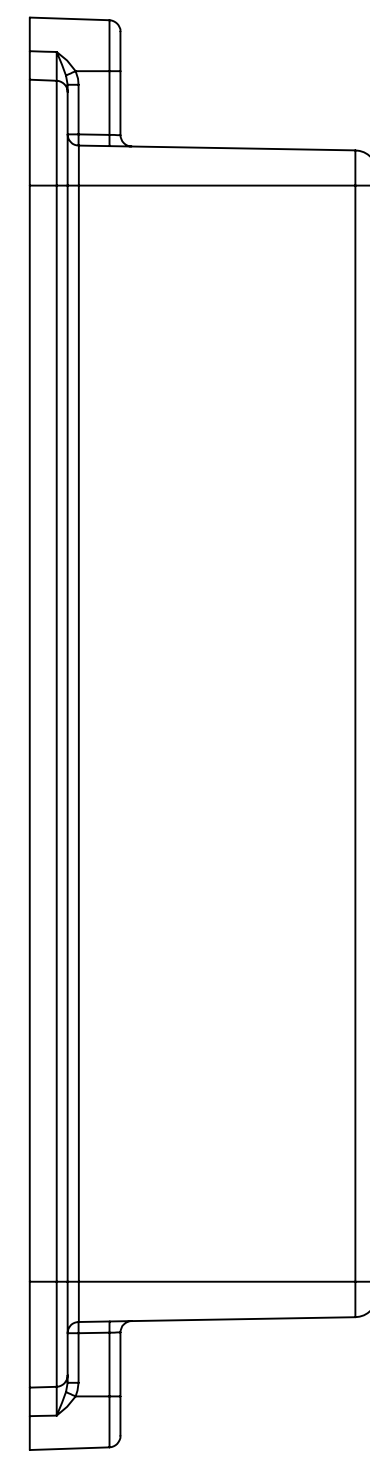
SURFACE-7



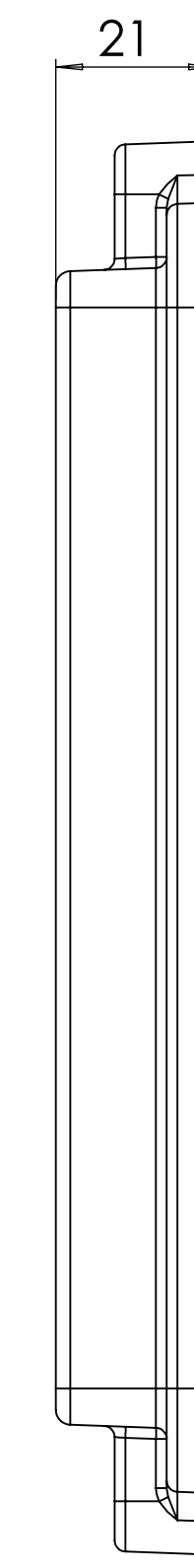
SURFACE-3



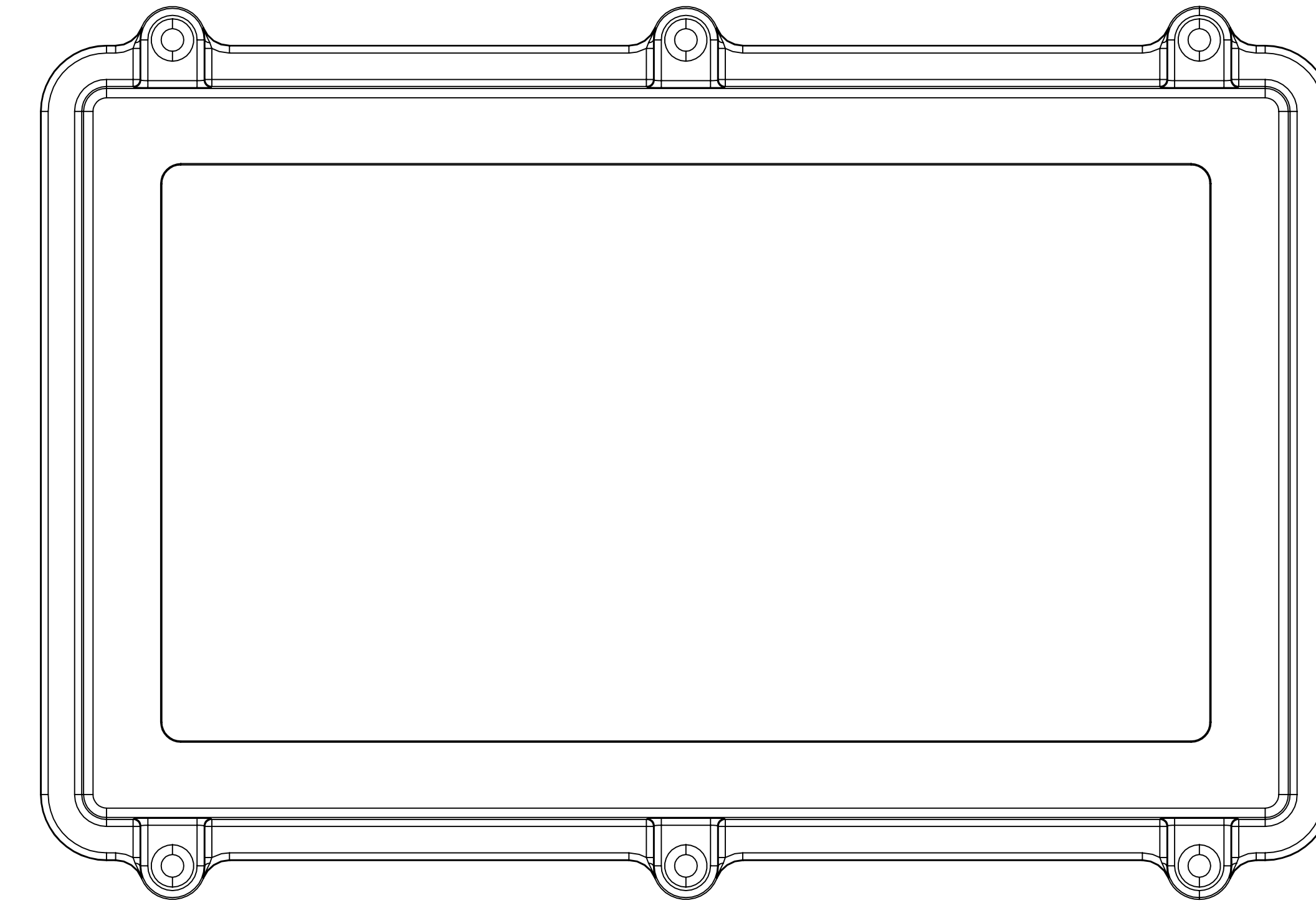
SURFACE-5



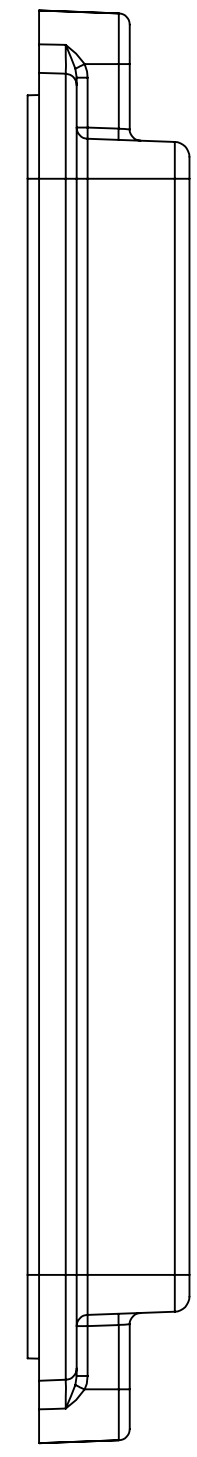
SURFACE-4



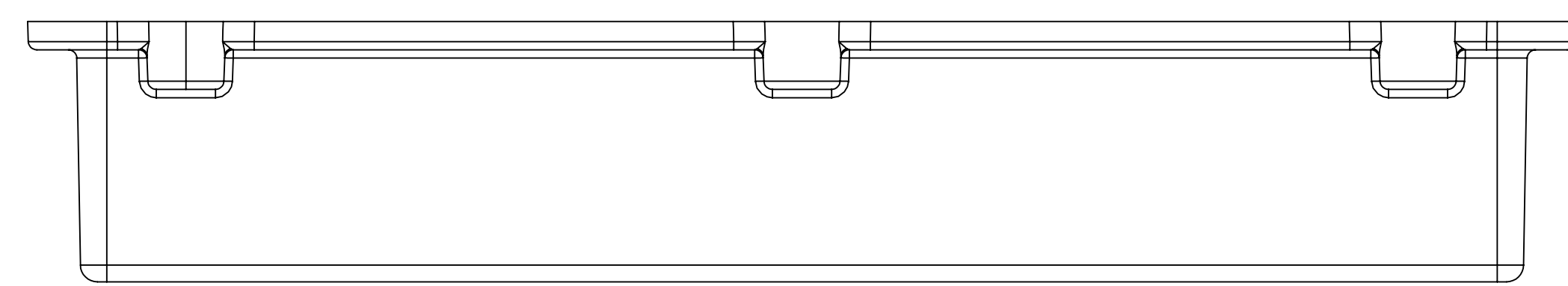
SURFACE-9



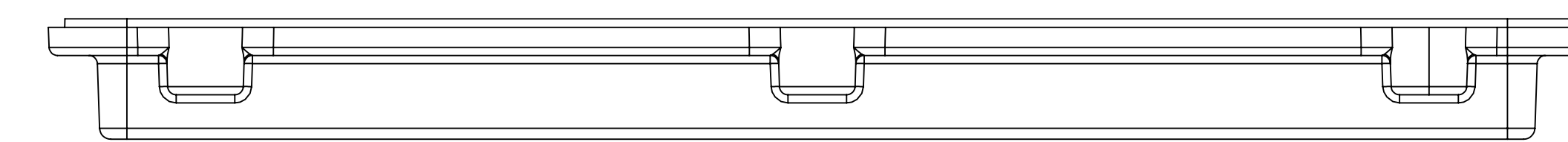
SURFACE-11



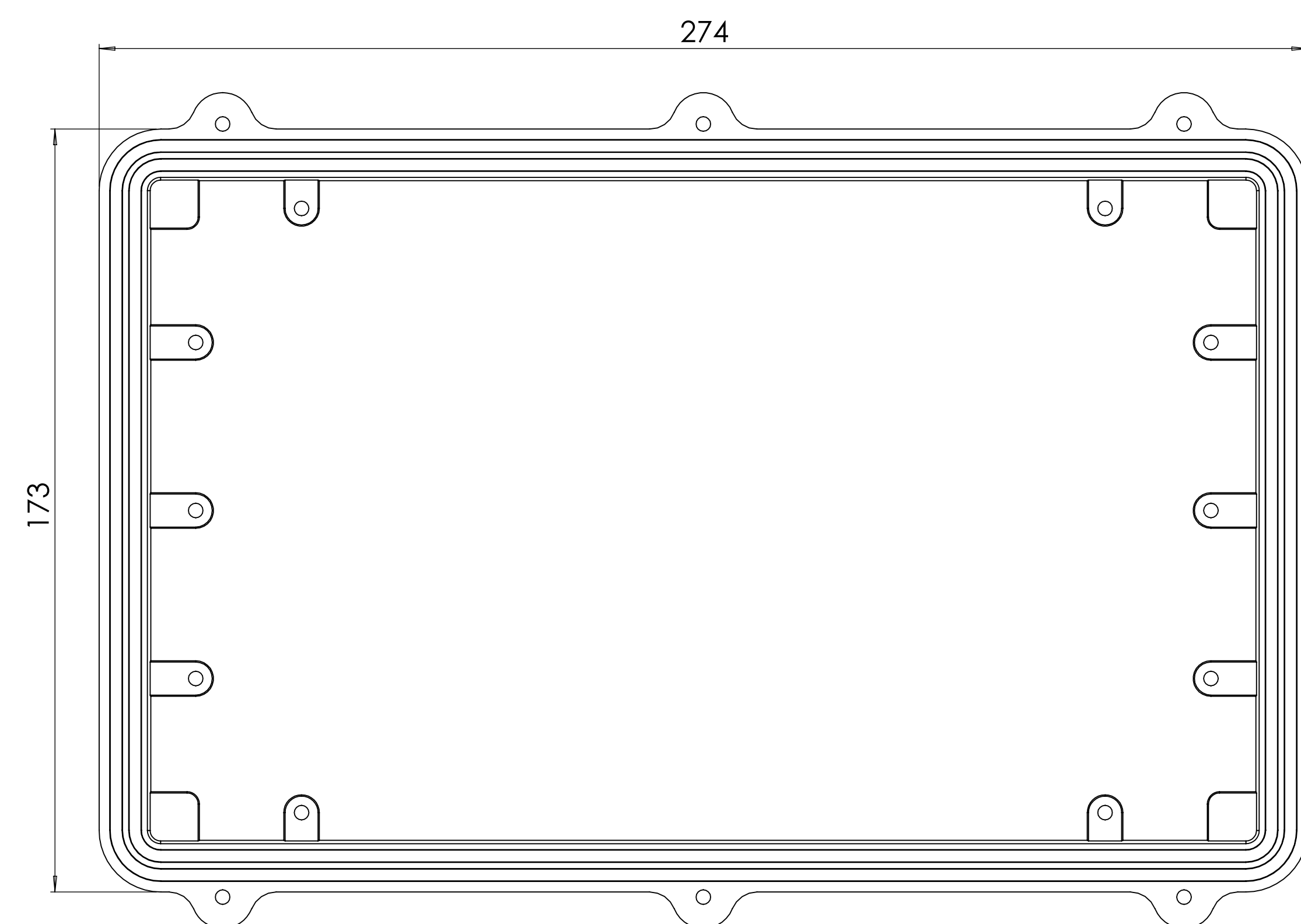
SURFACE-10



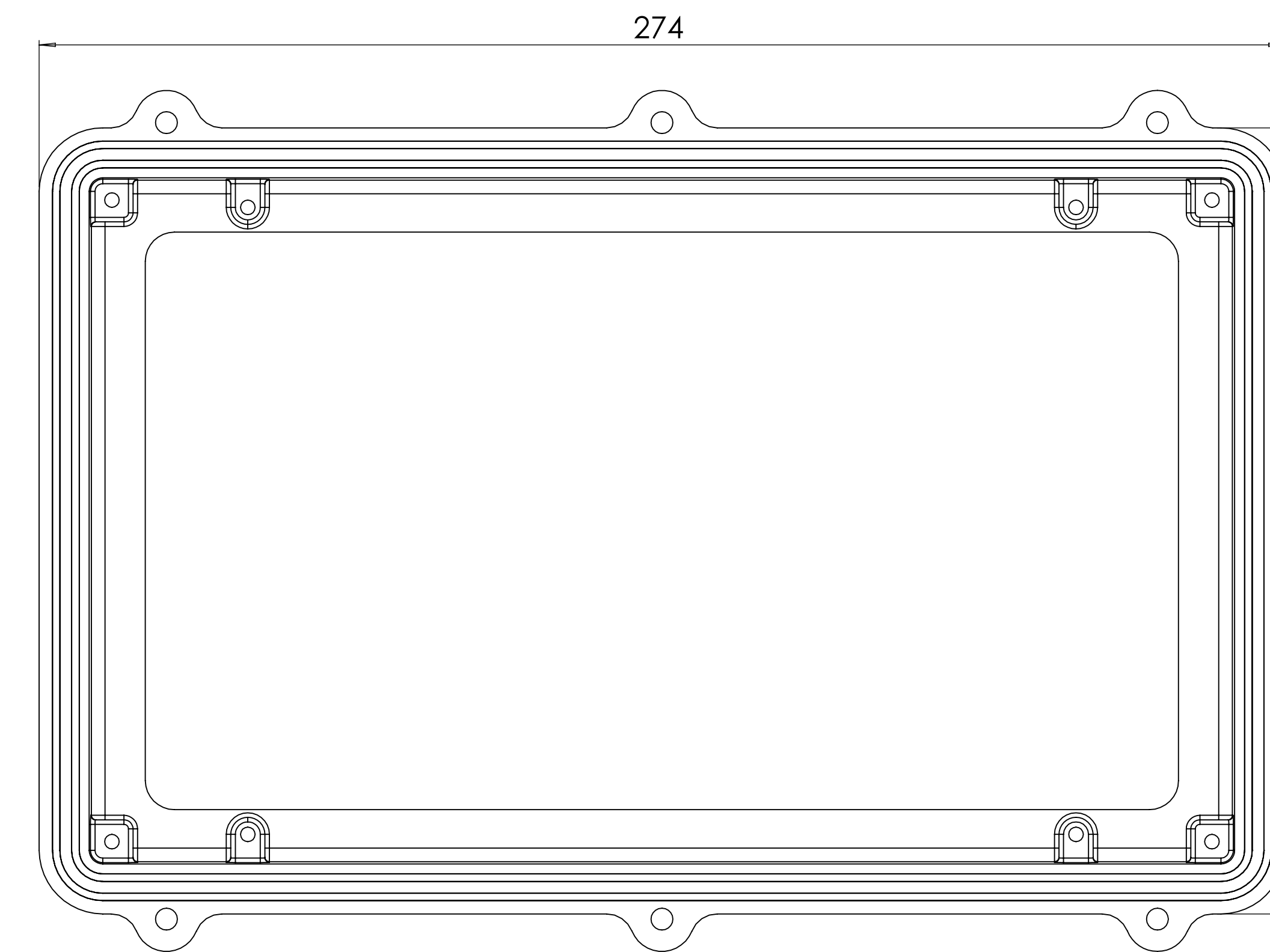
SURFACE-2



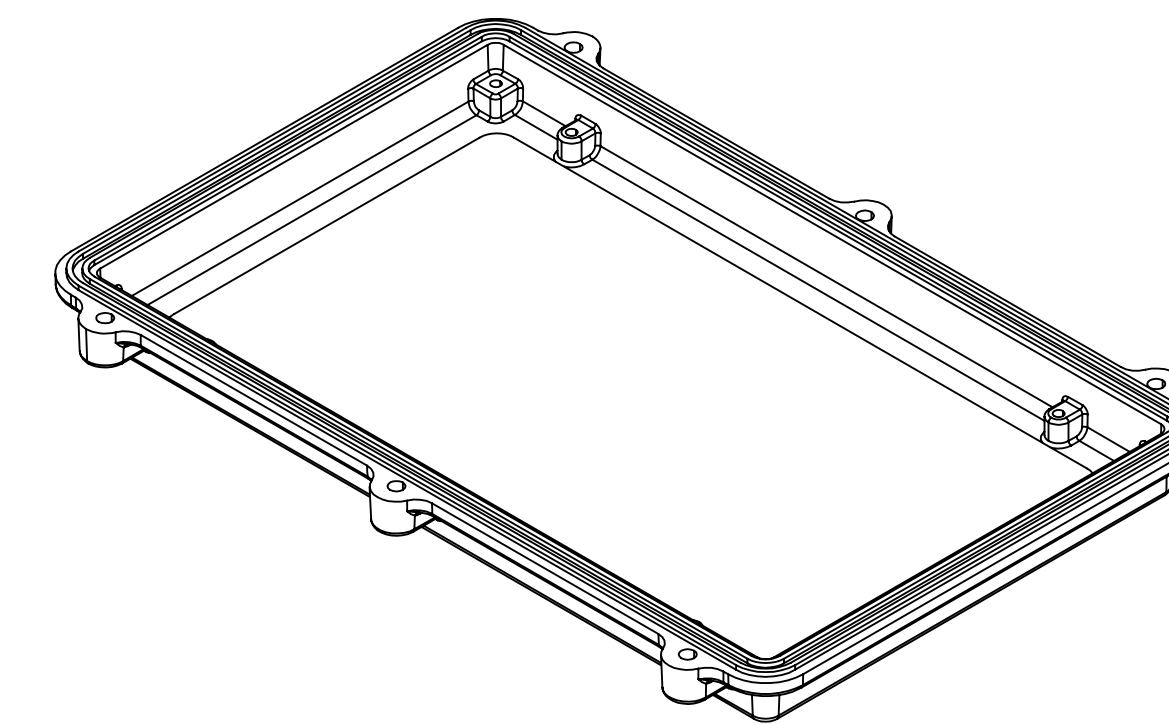
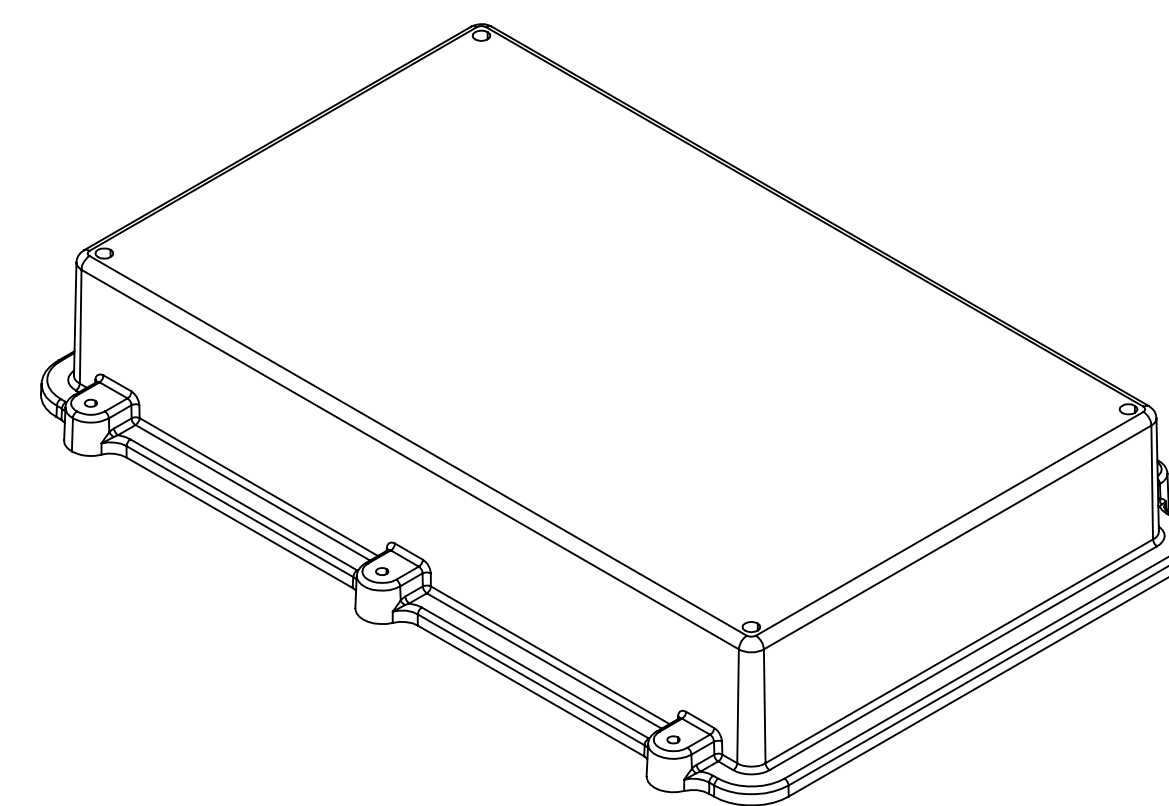
SURFACE-8




SURFACE-6 (INSIDE)

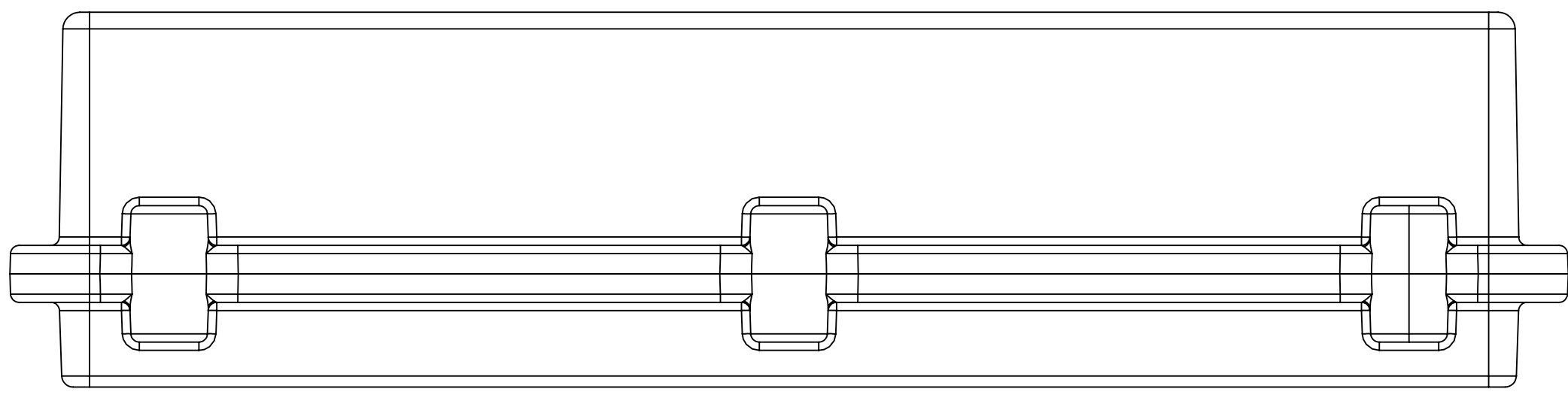


SURFACE-12 (INSIDE)

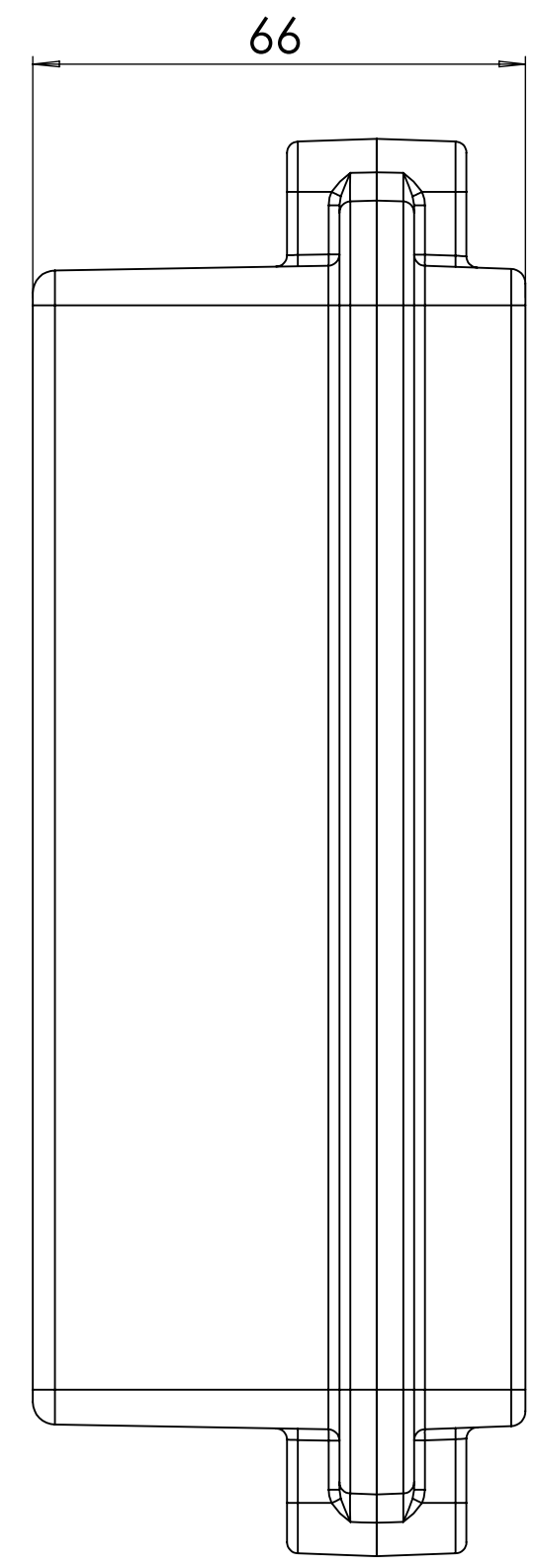


REV. NO	DATE	REVISED BY	DESCRIPTION OF CHANGE
 ALTINKAYA Electronic Enclosures & Components			www.altinkaya.com
Customer Name:		Customer Ref.:	
Altinkaya Ref.:		Part Name: SE-574	
DRAWN	NAME	DATE	Drawn From:
CHECKED	Y.YEL	18.11.2024	Material:
DIMENSIONAL TOLERANCES UNLESS OTHERWISE SPECIFIED (DIN7168)		0.5-3mm	3-6mm
		±0.1	±0.1
		6-30mm	30-120mm
		±0.2	±0.3
		120-400mm	±0.5
		Dimension (mm)	m (Medium)
		SCALE 1:1	SHEET 1 OF 2
		UNIT: mm	AO

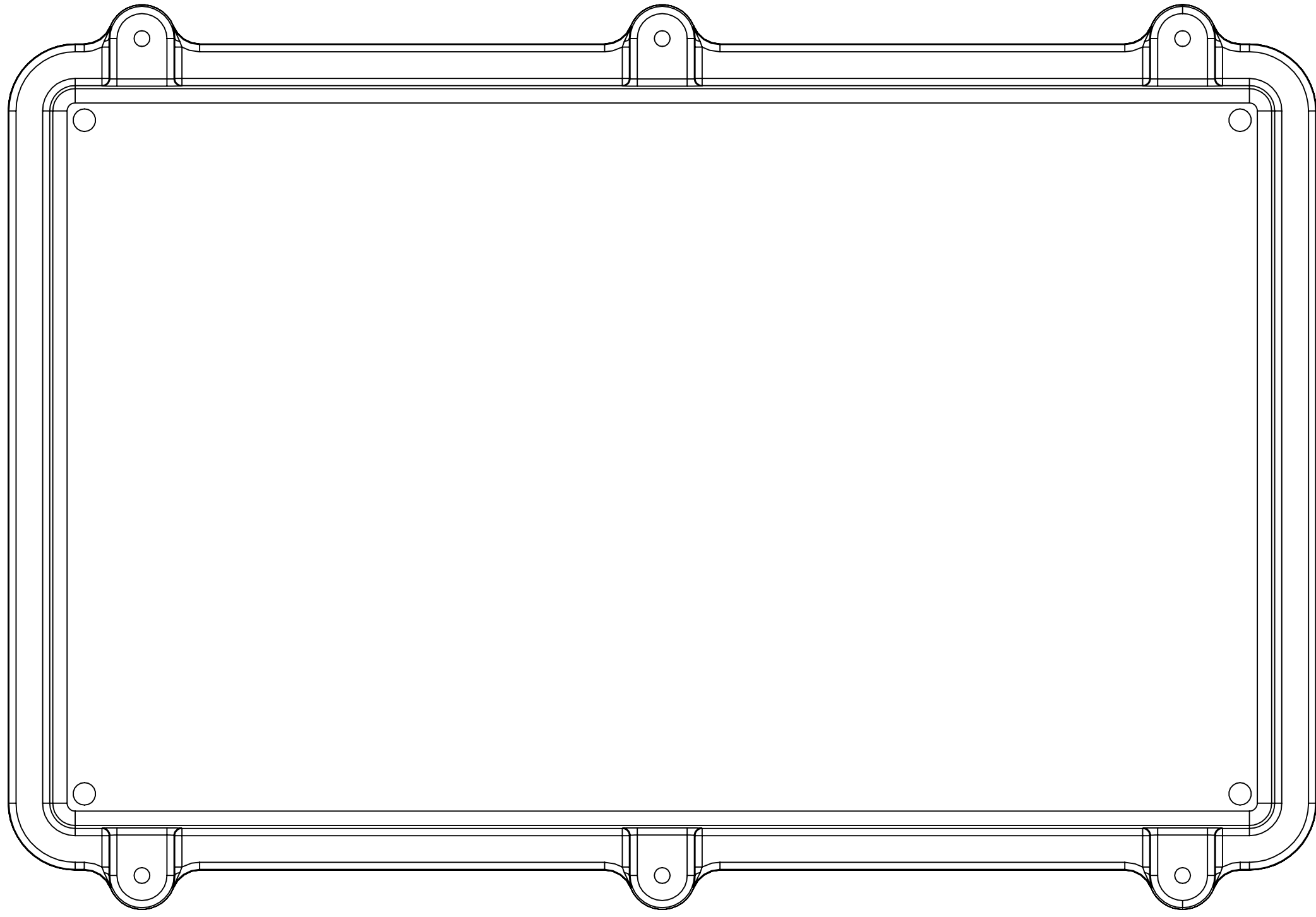
SE-574 IF MACHINED TOGETHER



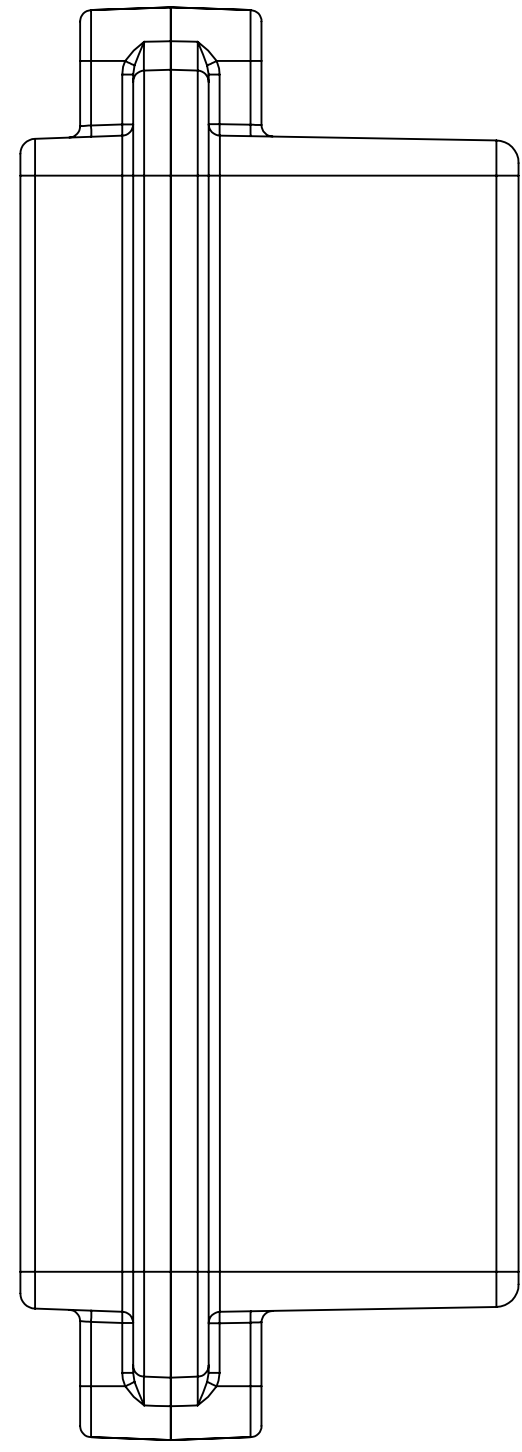
SURFACE-13



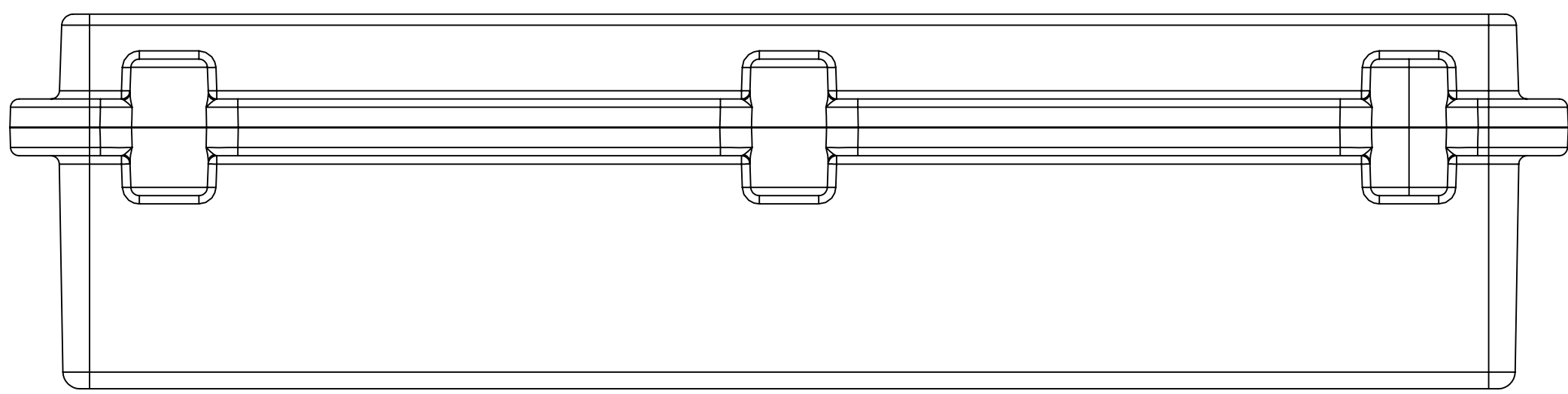
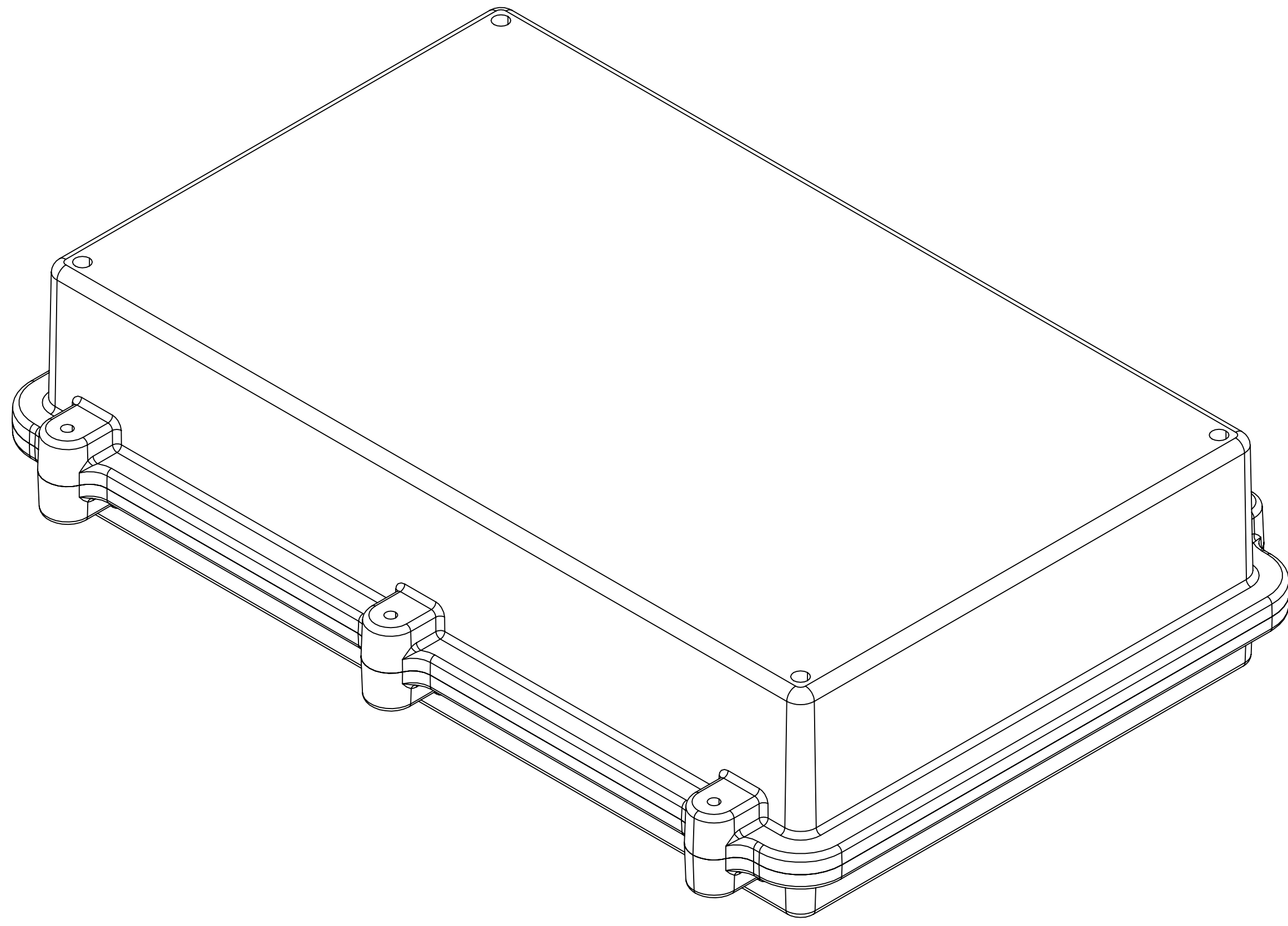
SURFACE-15



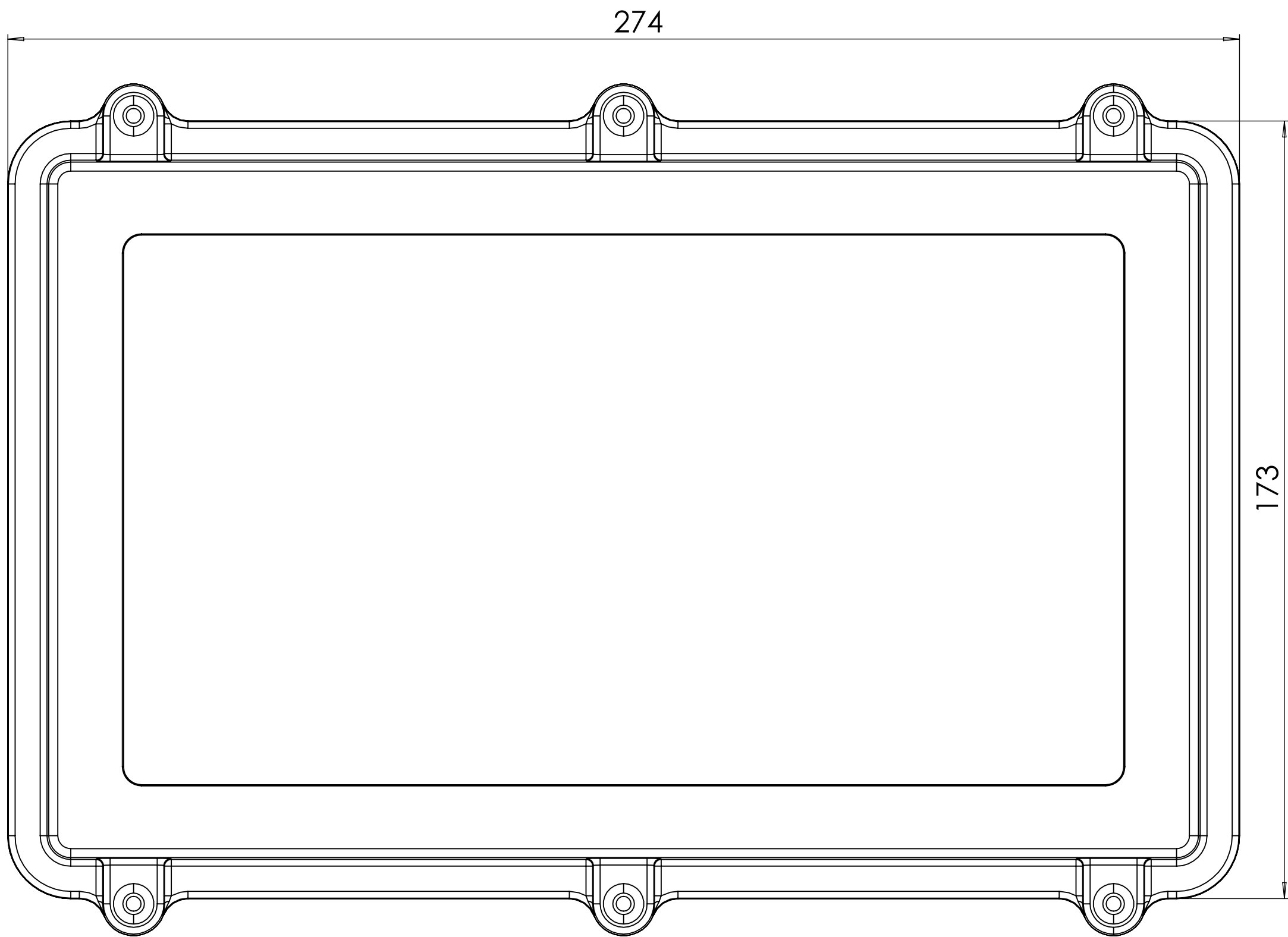
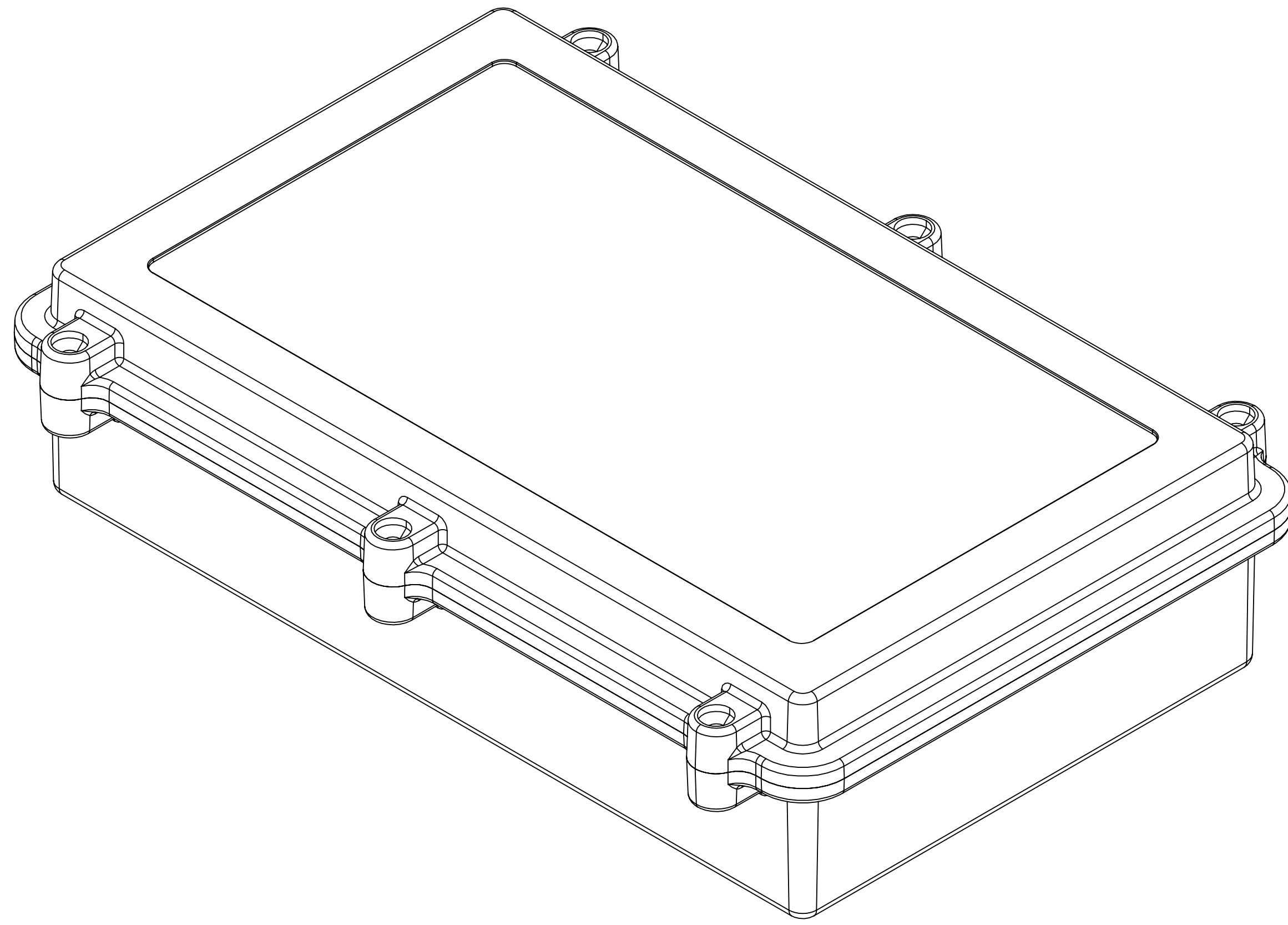
SURFACE-17




SURFACE-16



SURFACE-14



SURFACE-18

REV. NO	DATE	REVISED BY	DESCRIPTION OF CHANGE
 ALTINKAYA Electronic Enclosures & Components			www.altinkaya.com
Customer Name:		Customer Ref.:	
Altinkaya Ref.:		Part Name: SE-574	
DRAWN	NAME	DATE	Drawn From:
CHECKED	Y.YEL	18.11.2024	Weight:
DIMENSIONAL TOLERANCES UNLESS OTHERWISE SPECIFIED (DIN7168)			
0.5-3mm	3-6mm	6-30mm	30-120mm
±0.1	±0.1	±0.2	±0.3
			120-400mm
			±0.5
			m (Medium)
			SCALE 1:1
			SHEET 2 OF 2
			UNIT: mm
			A0