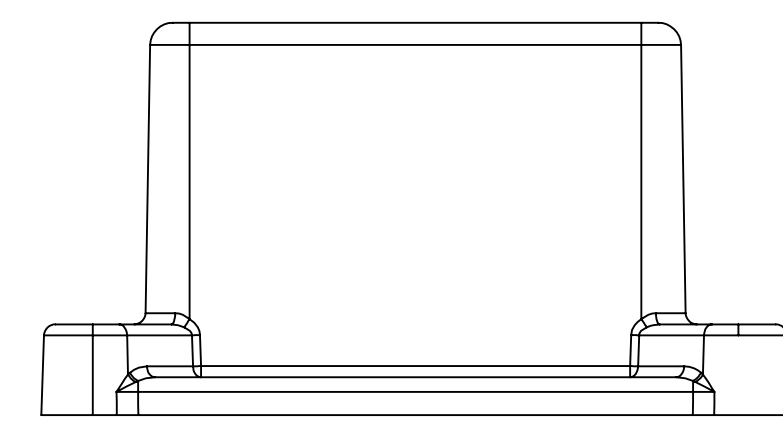
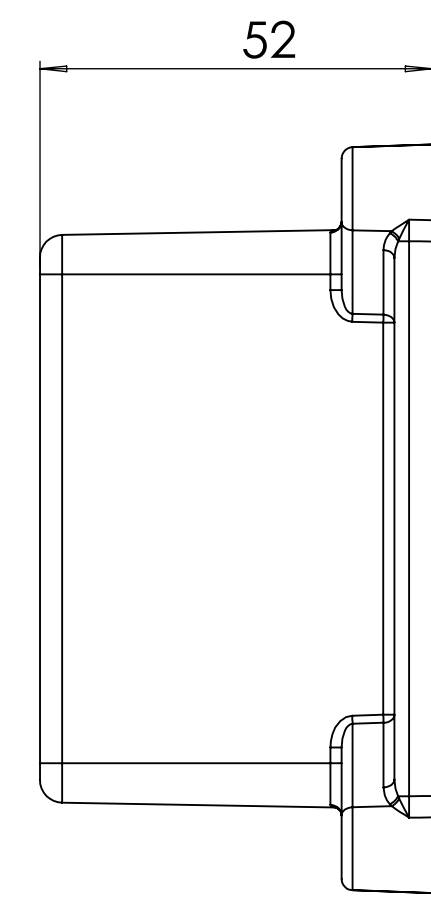


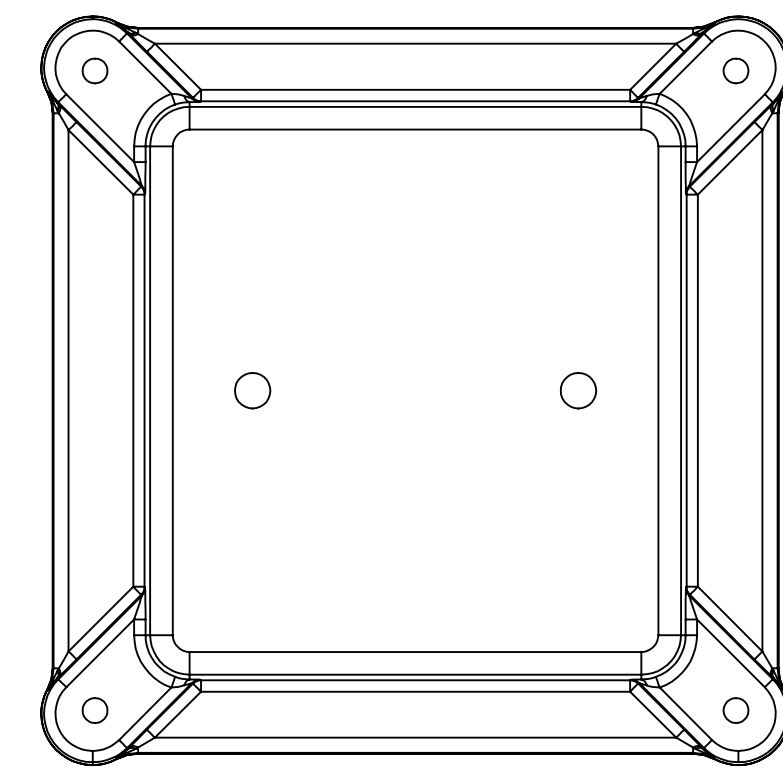
BASE: 6 SURFACE



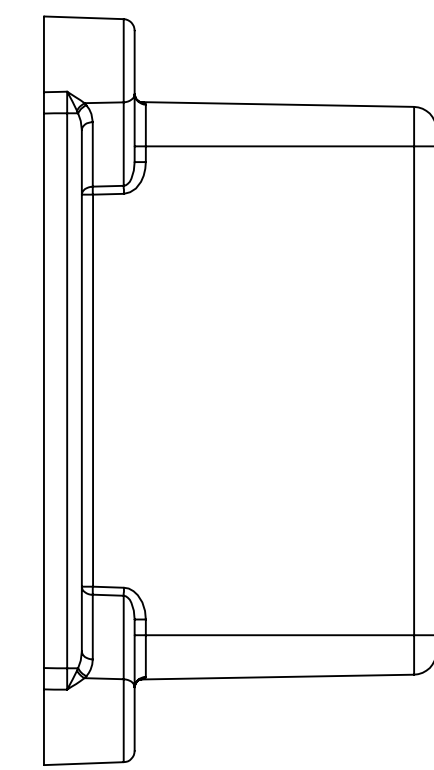
SURFACE-1



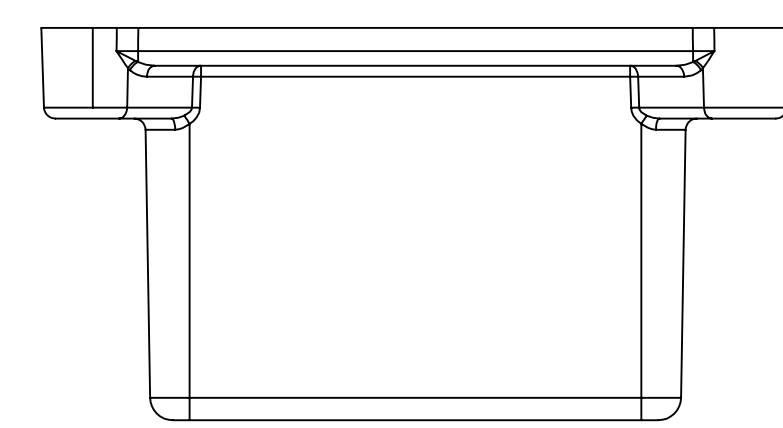
SURFACE-3



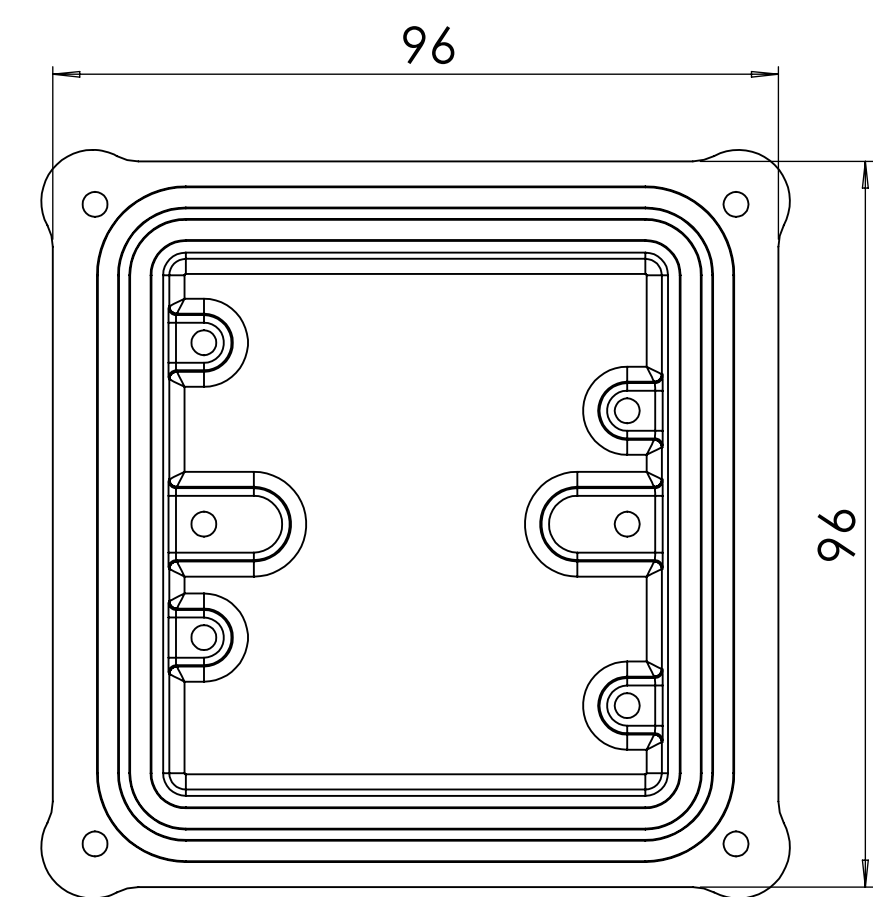
SURFACE-5



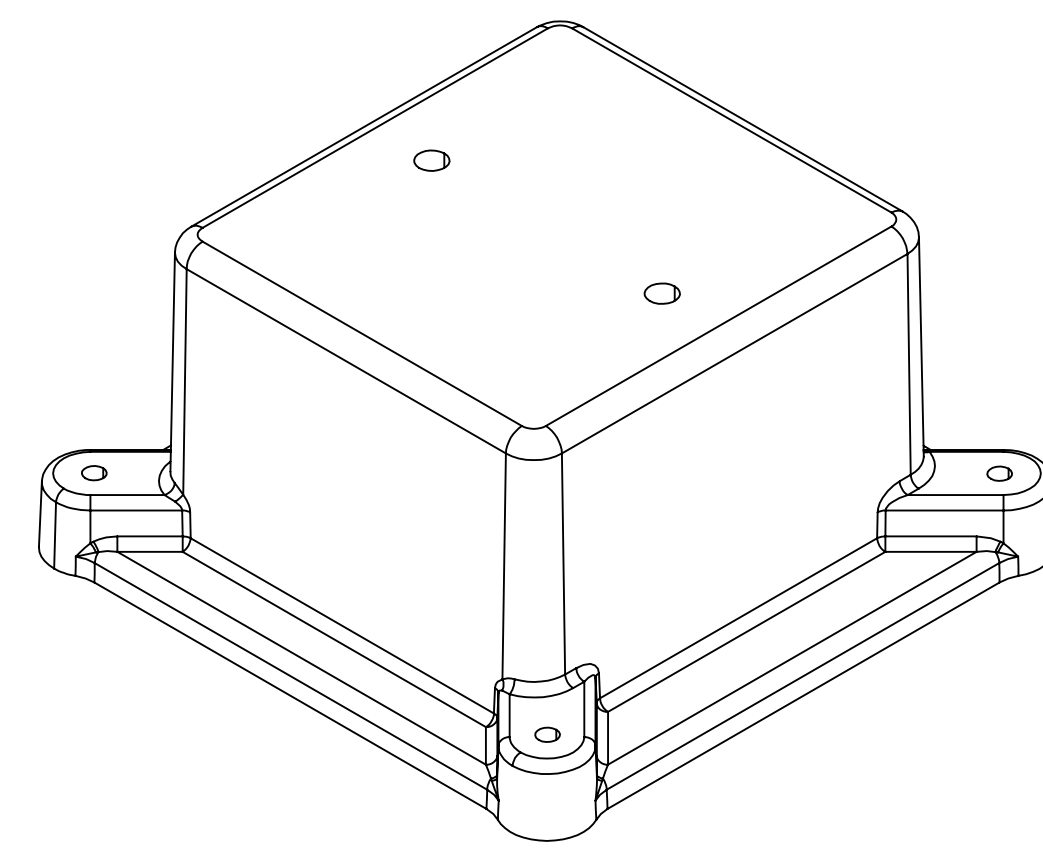
SURFACE-4



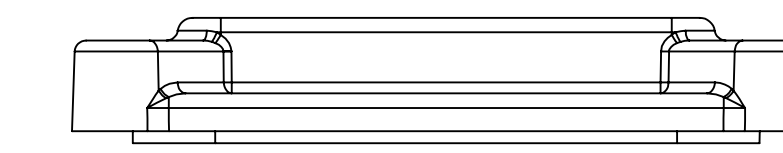
SURFACE-2



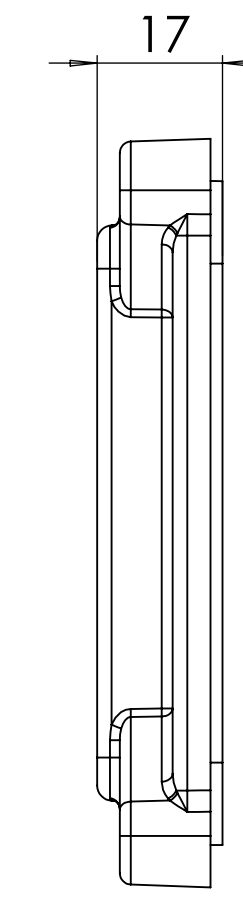
SURFACE-6 (INSIDE)



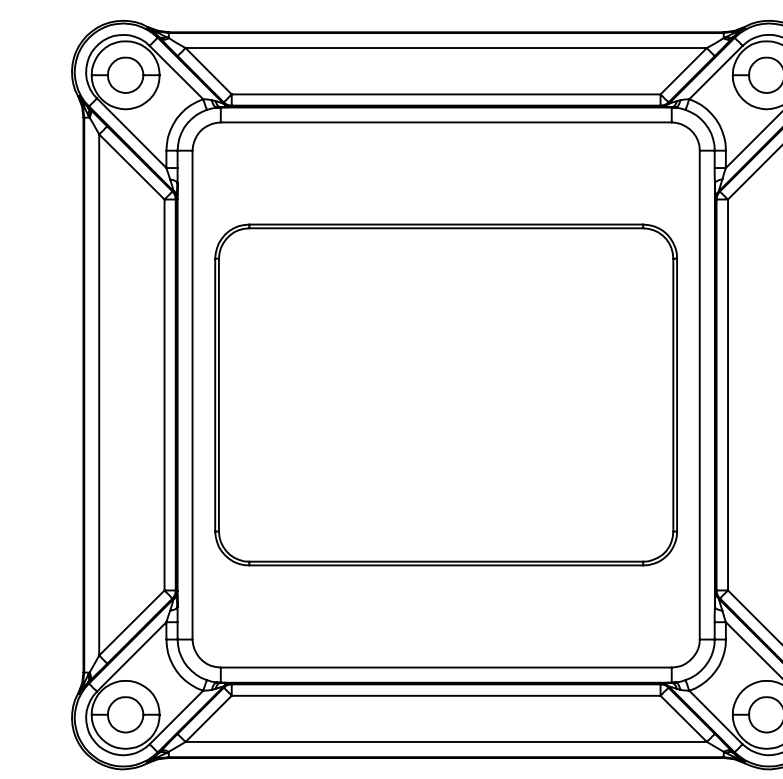
COVER: 6 SURFACE



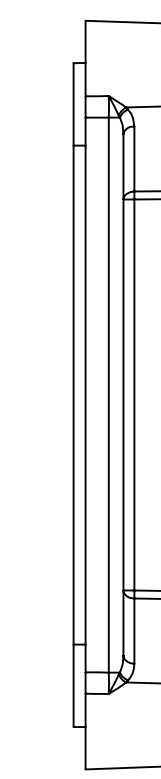
SURFACE-7



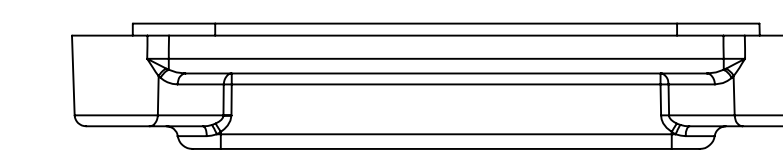
SURFACE-9



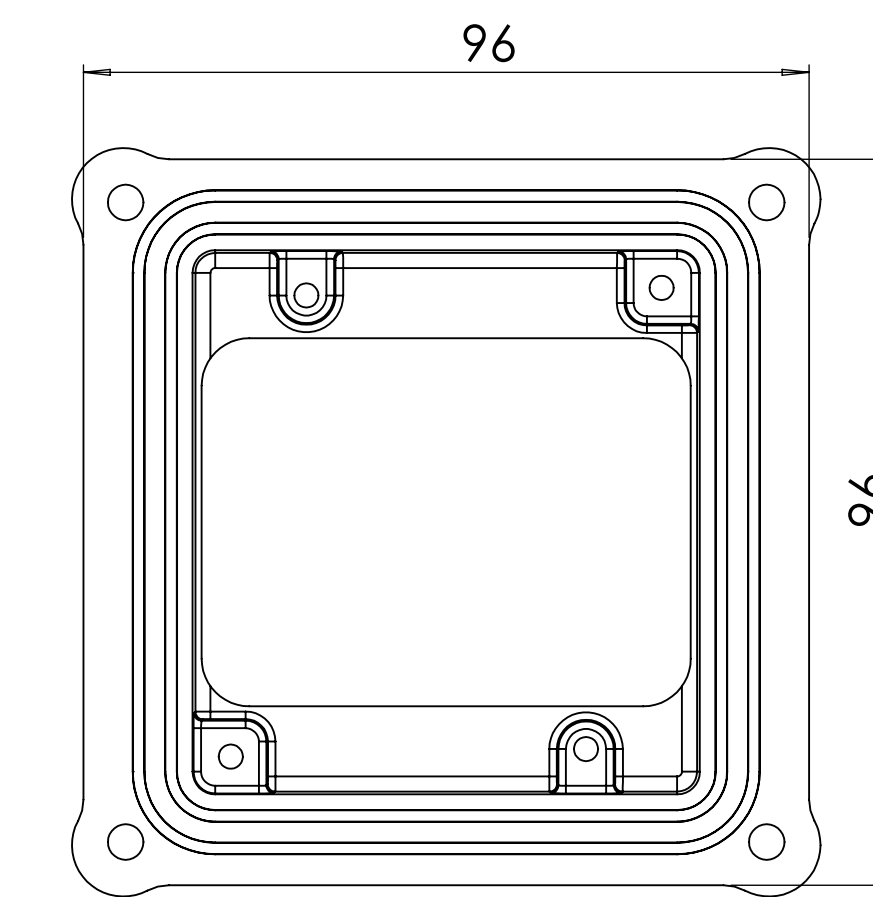
SURFACE-11



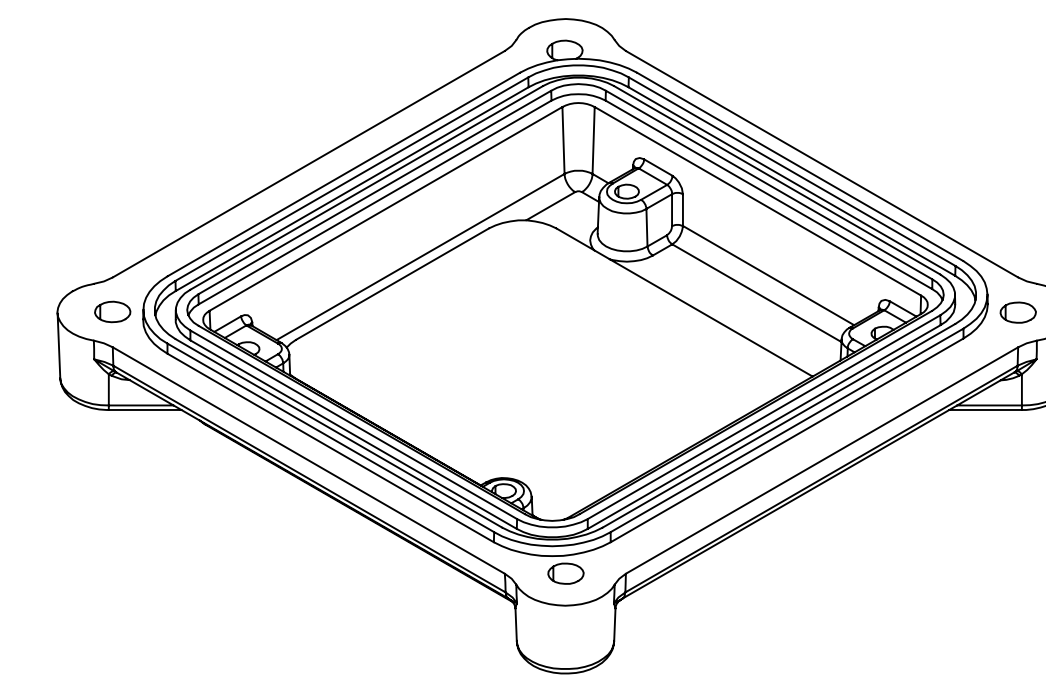
SURFACE-10




SURFACE-8



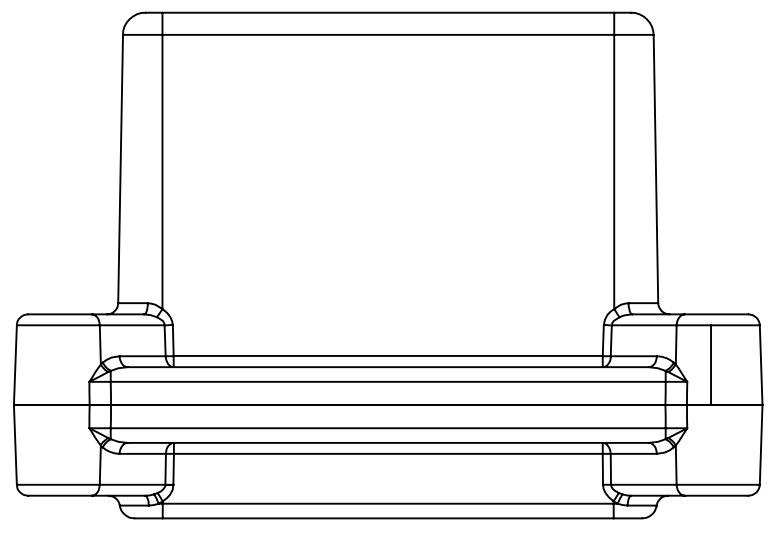
SURFACE-12 (INSIDE)



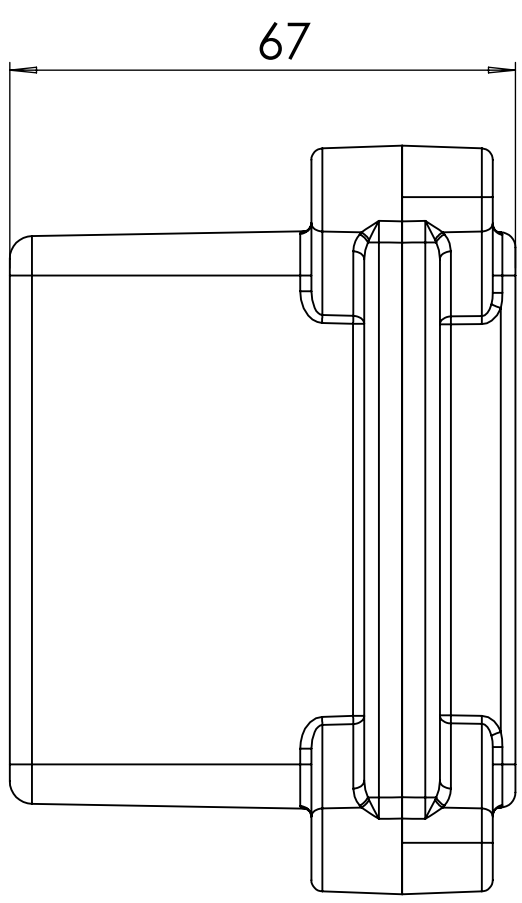
REV. NO	DATE	REVISED BY	DESCRIPTION OF CHANGE
 ALTINKAYA Electronic Enclosures & Components			
Customer Name:		Customer Ref.:	
Altinkaya Ref.:		Part Name: SE-518	
DRAWN	NAME	DATE	Drawn From:
CHECKED	Y.YEL	18.11.2024	Material:
DIMENSIONAL TOLERANCES UNLESS OTHERWISE SPECIFIED (DIN7168)			Weight:
0.5-3mm	3-6mm	6-30mm	30-120mm
±0.1	±0.1	±0.2	±0.3
			120-400mm
			±0.5
			m (Medium)
			SCALE 1:1
			SHEET 1 OF 2
			UNIT: mm
			A0

www.altinkaya.com

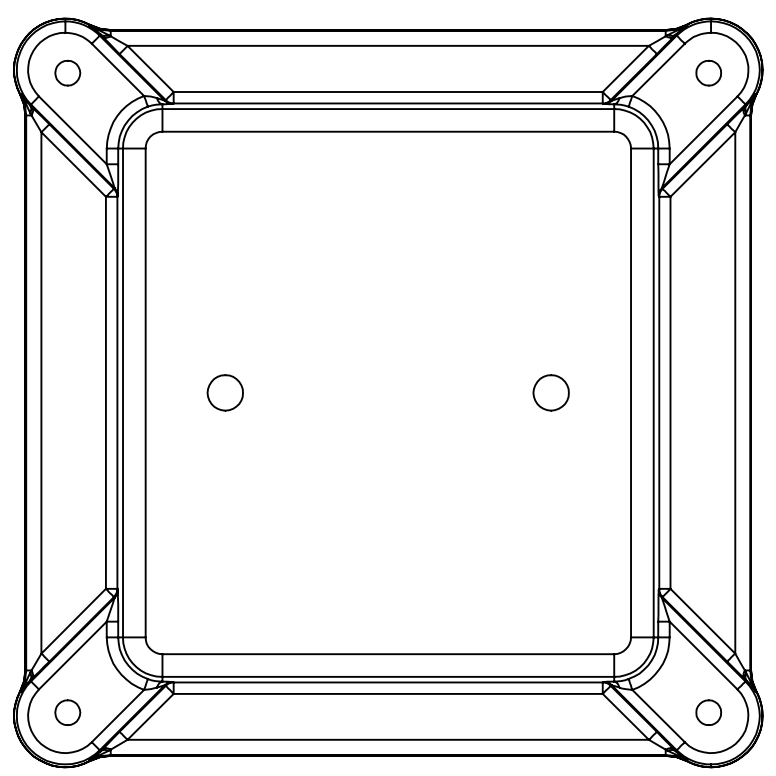
SE-518 IF MACHINED TOGETHER



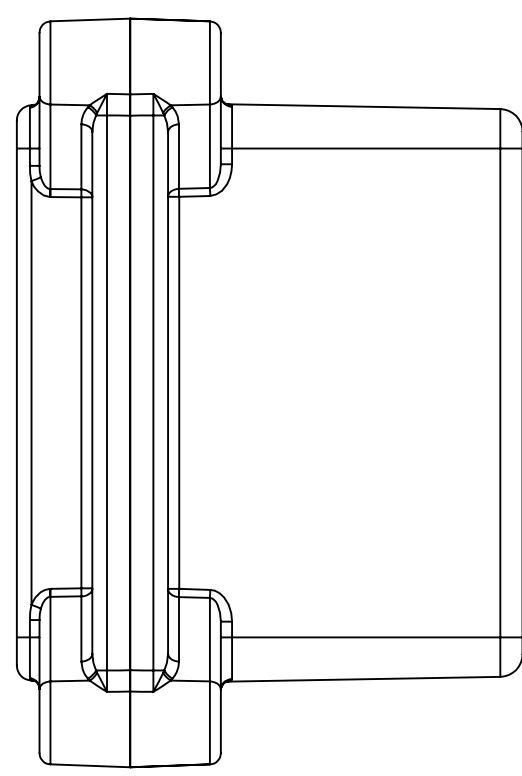
SURFACE-13



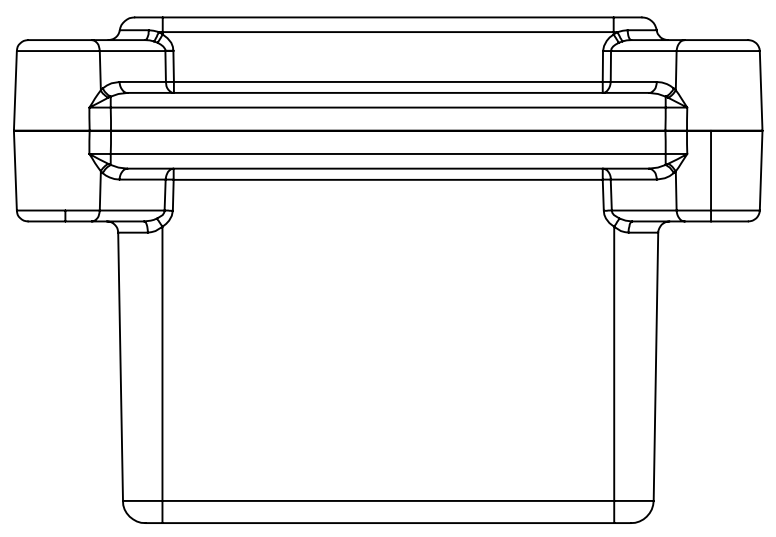
SURFACE-15



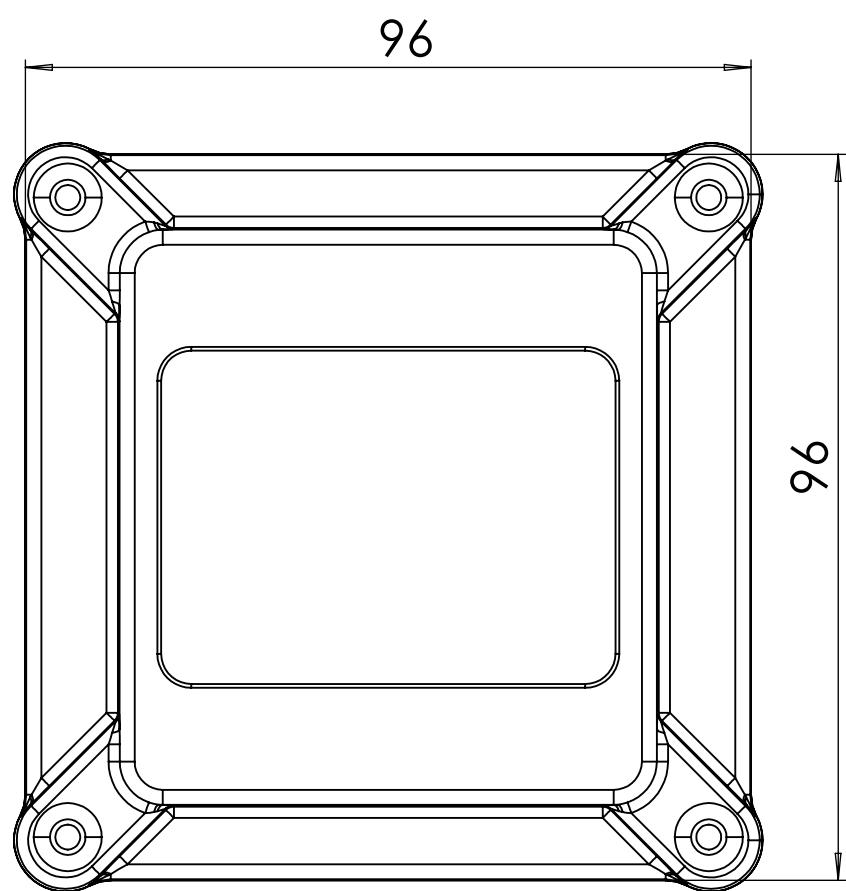
SURFACE-17



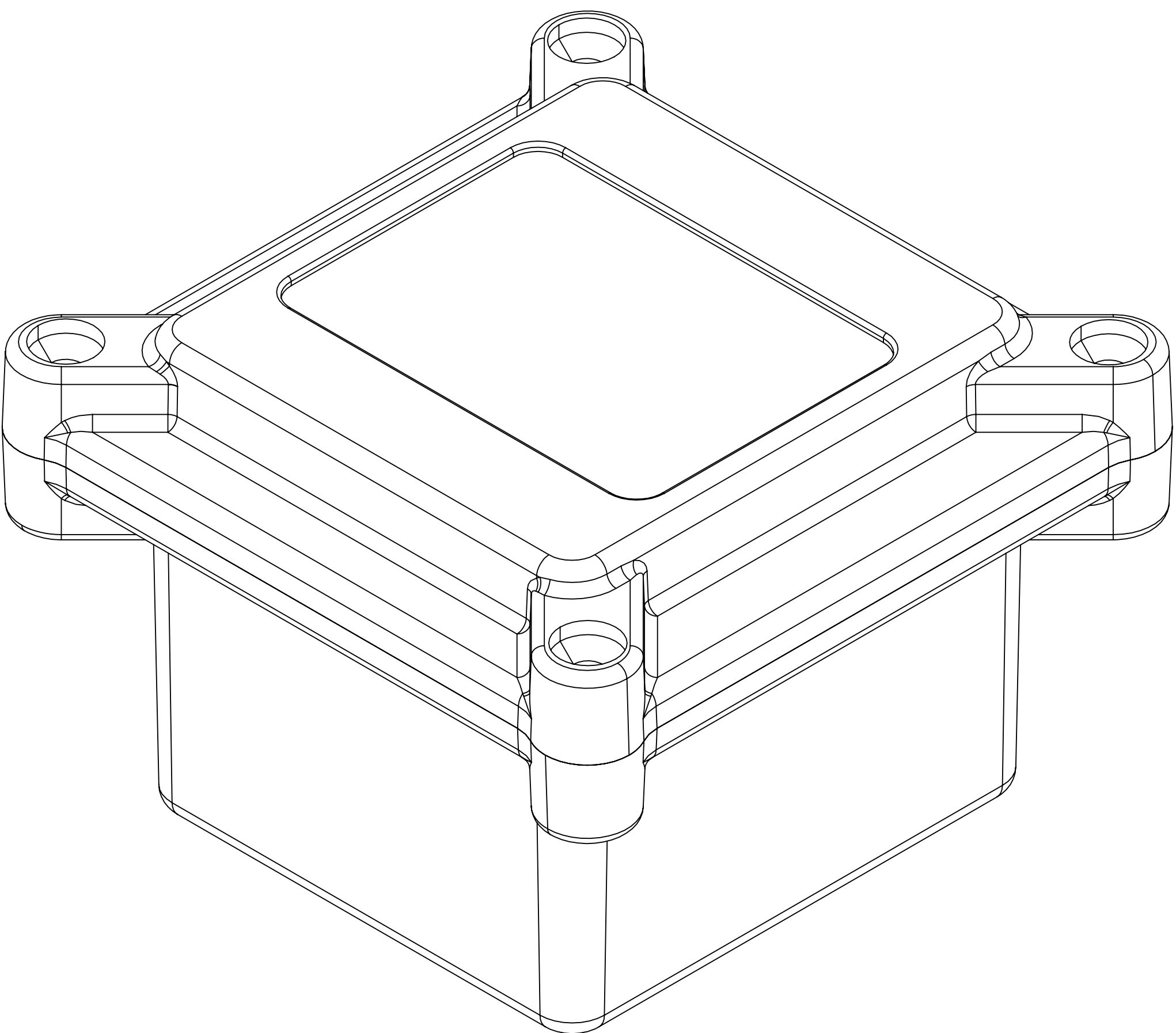
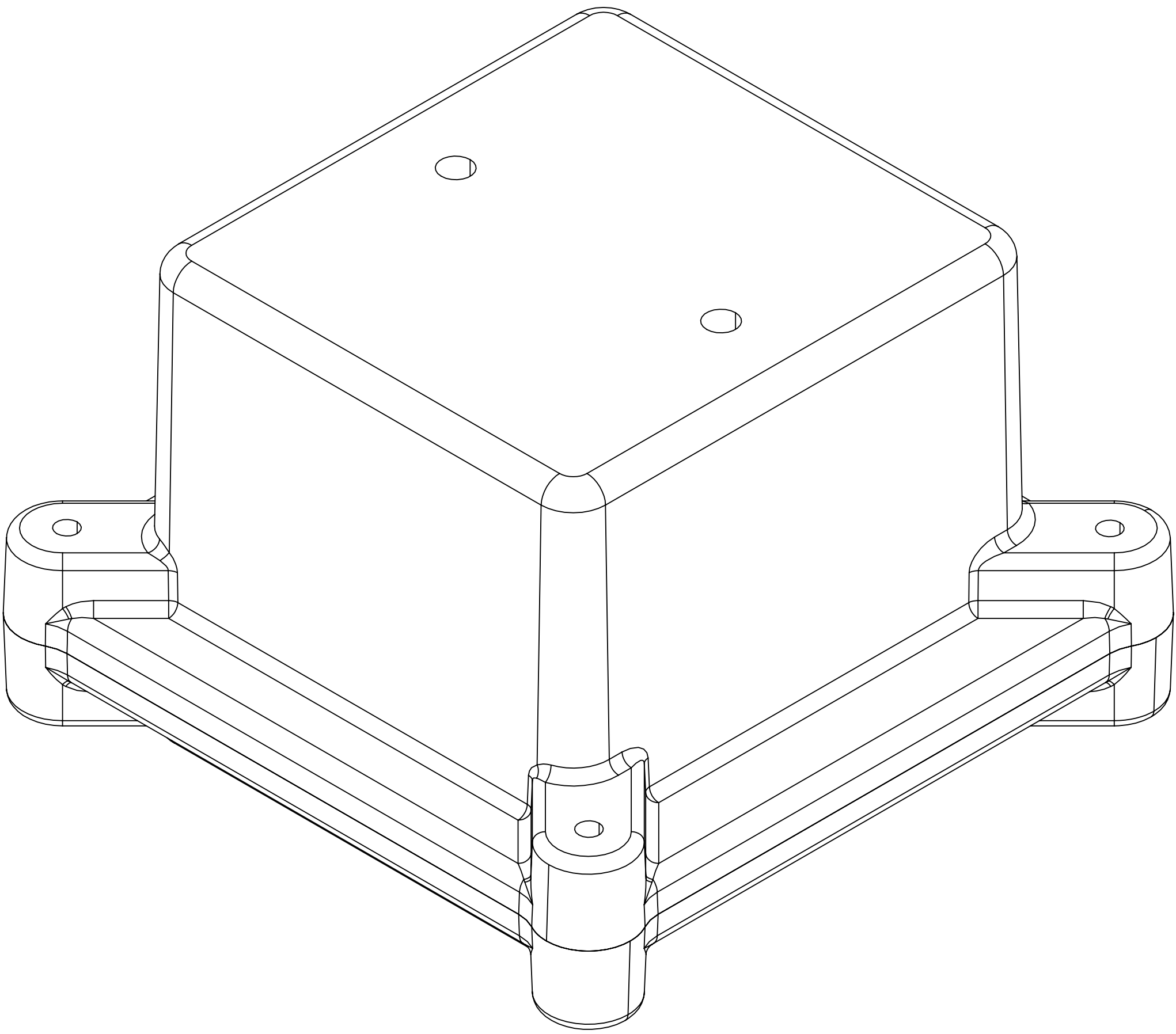
SURFACE-16




SURFACE-14



SURFACE-18



REV. NO	DATE	REVISED BY	DESCRIPTION OF CHANGE					
 ALTINKAYA Electronic Enclosures & Components			www.altinkaya.com					
Customer Name:		Customer Ref. :						
Altinkaya Ref. :		Part Name: SE-518						
DRAWN	NAME	DATE	Drawn From :	SCALE 1:1				
	S.YESILOZ	18.11.2024		SHEET 2 OF 2				
CHECKED	Y.YEL	18.11.2024	Weight :	UNIT: mm				
DIMENSIONAL TOLERANCES UNLESS OTHERWISE SPECIFIED (DIN7168)		0.5-3mm	3-6mm	6-30mm	30-120mm	120-400mm	Dimension (mm)	A0
		±0.1	±0.1	±0.2	±0.3	±0.5	m (Medium)	1