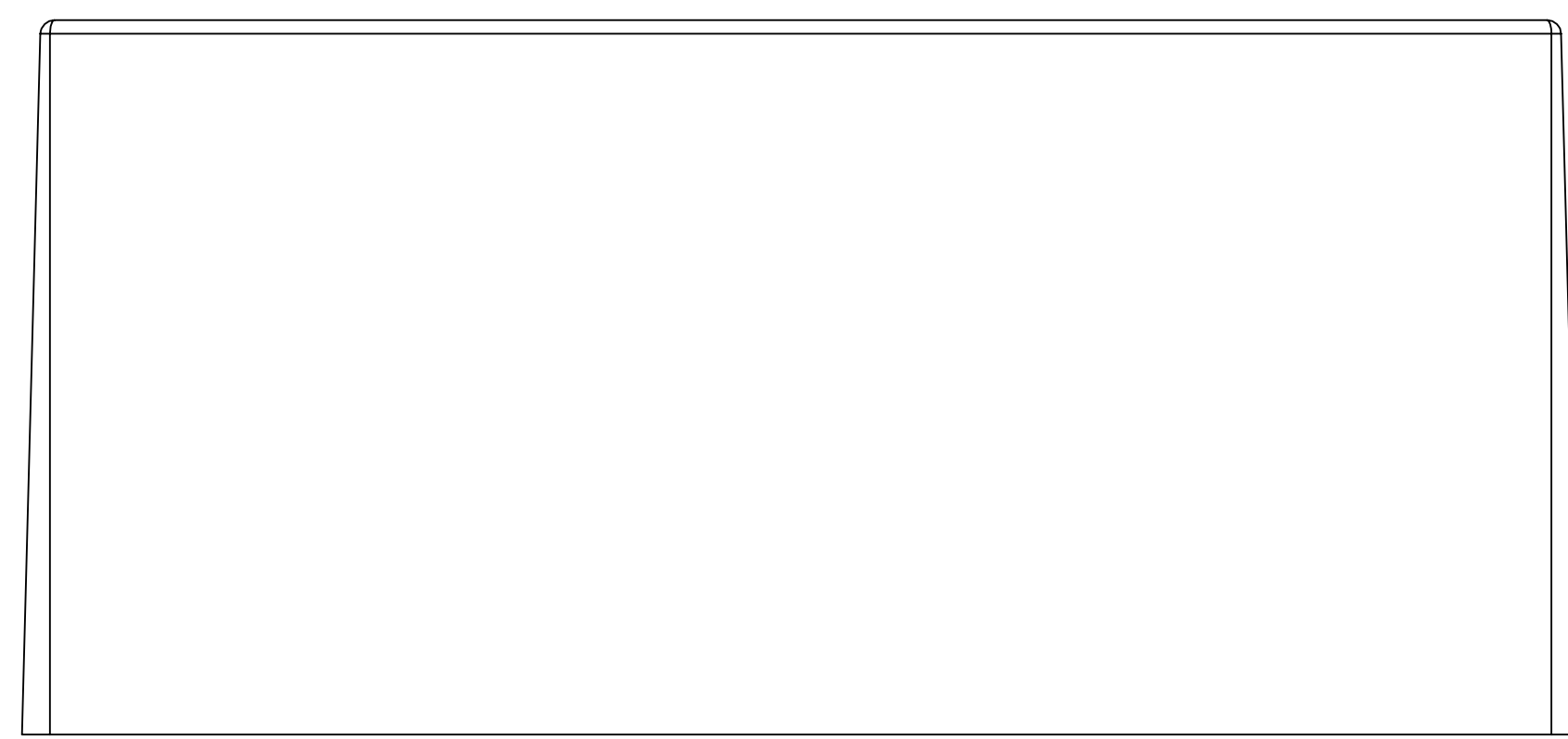


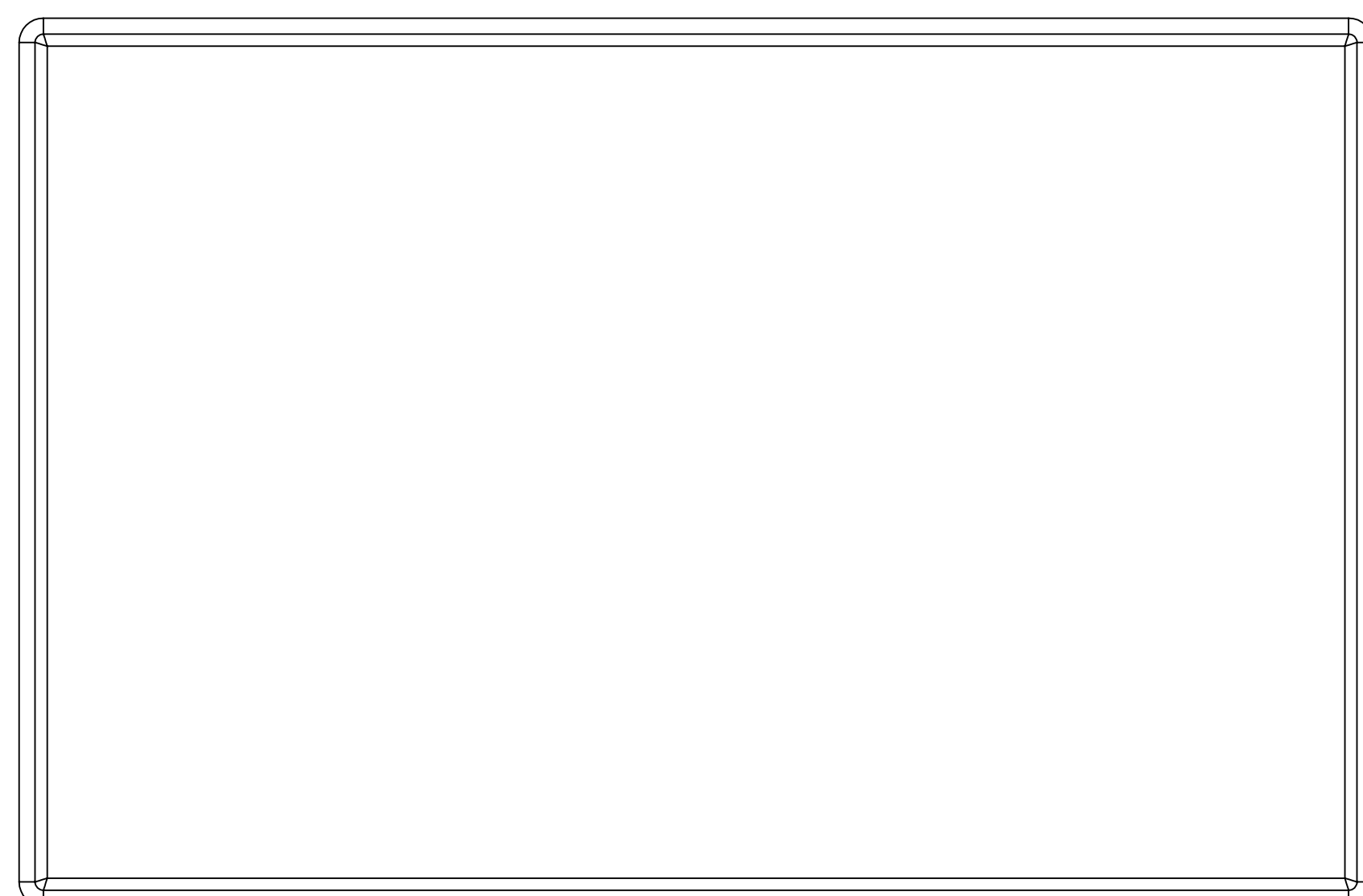
BASE: 6 SURFACE



SURFACE-1



SURFACE-3



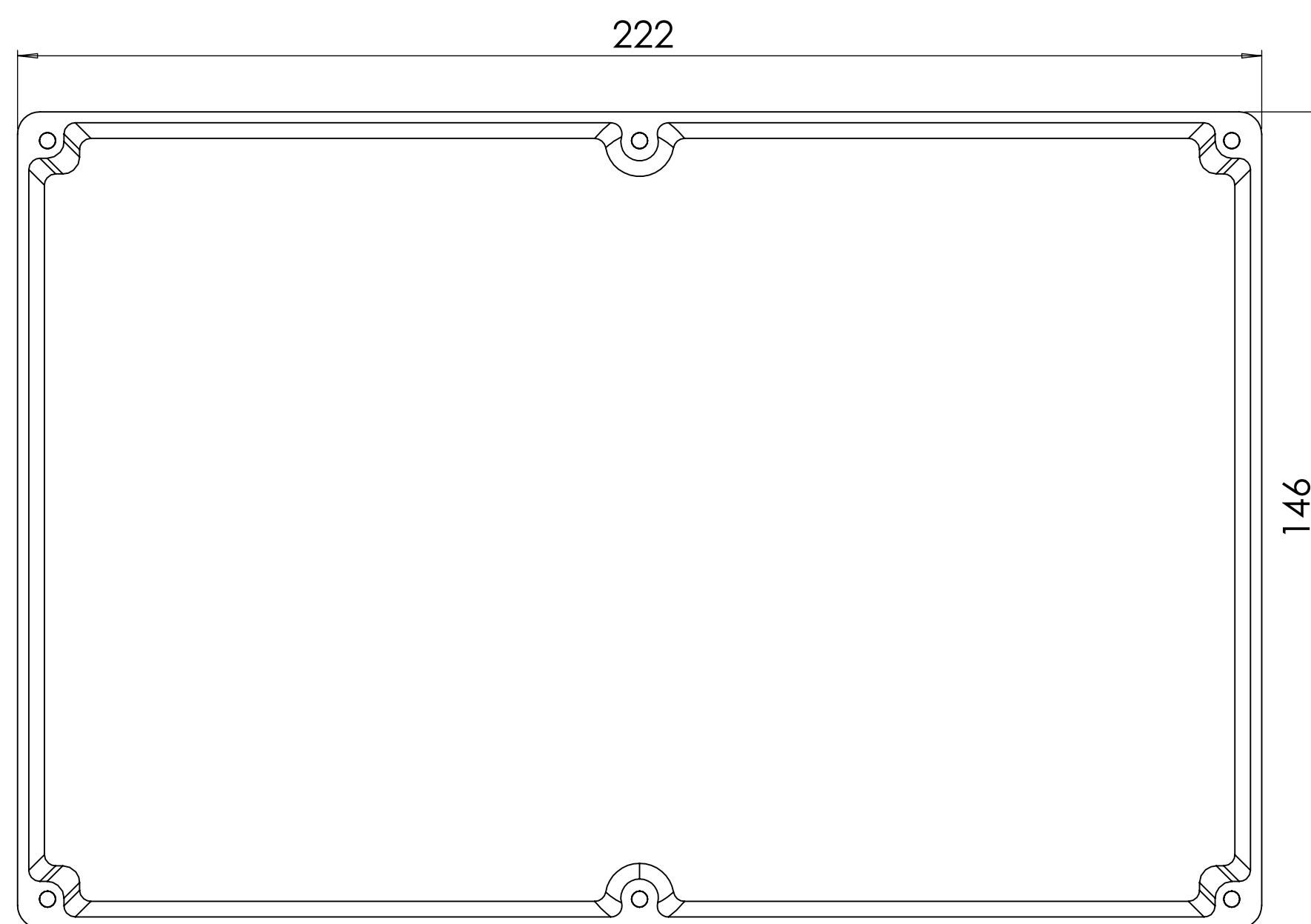
SURFACE-5



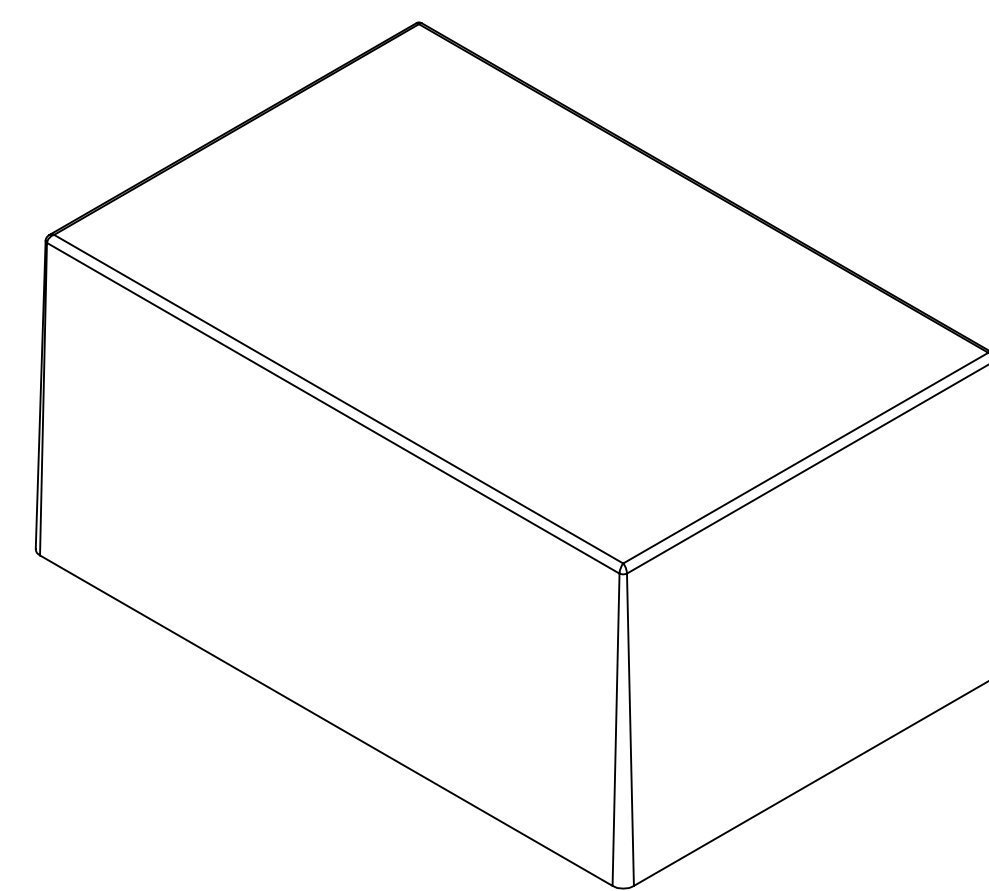
SURFACE-4



SURFACE-2



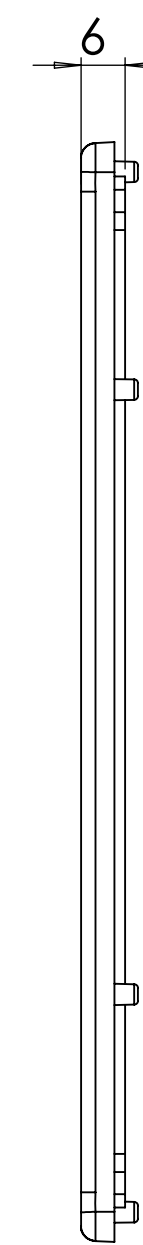
SURFACE-6 (INSIDE)



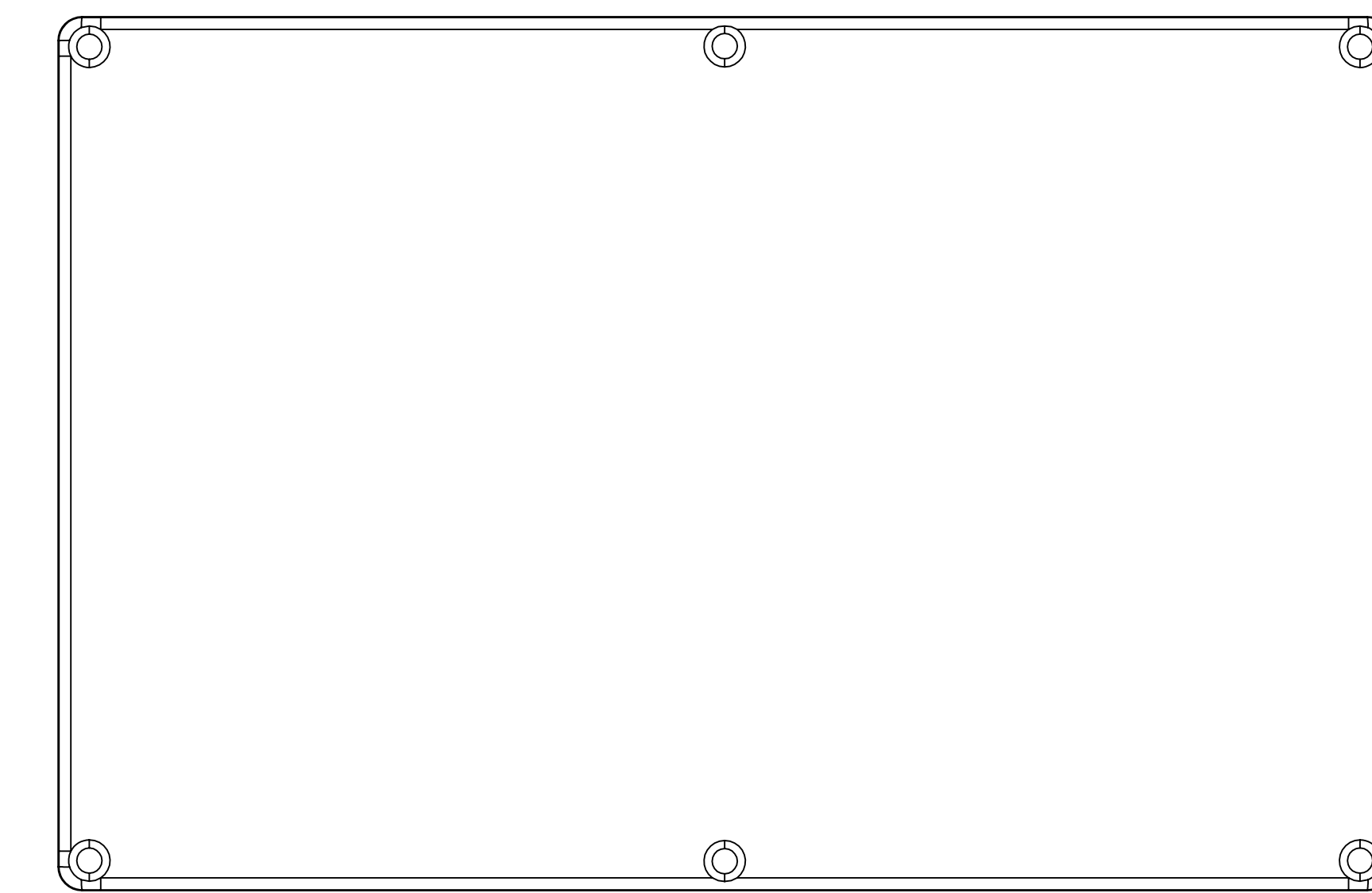
COVER: 6 SURFACE



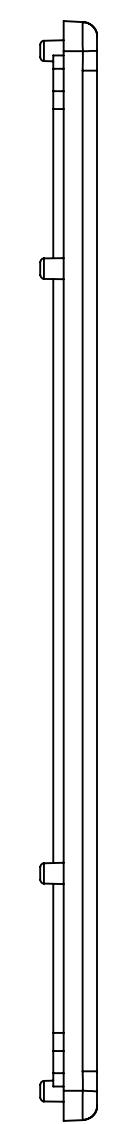
SURFACE-7



SURFACE-9



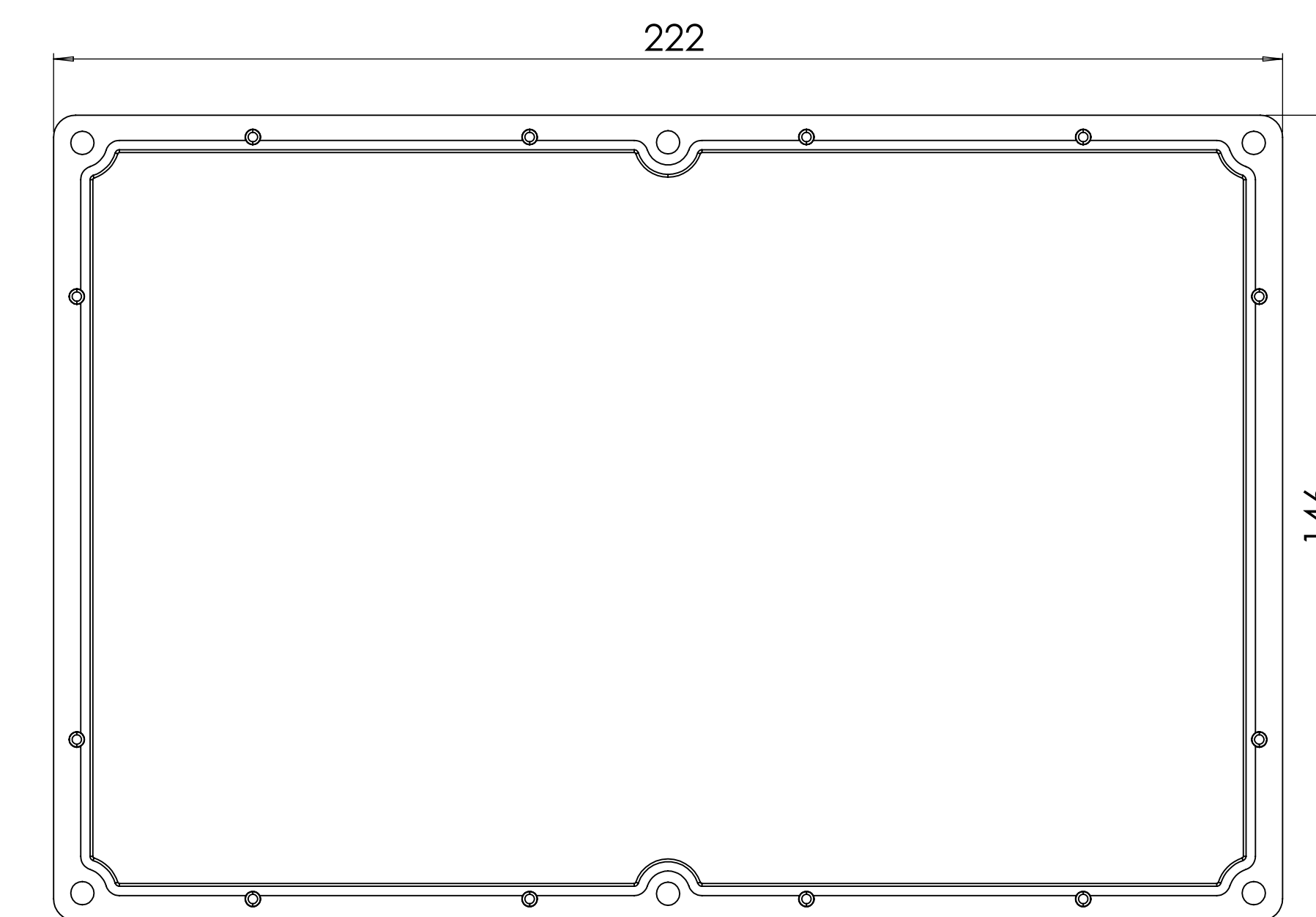
SURFACE-11



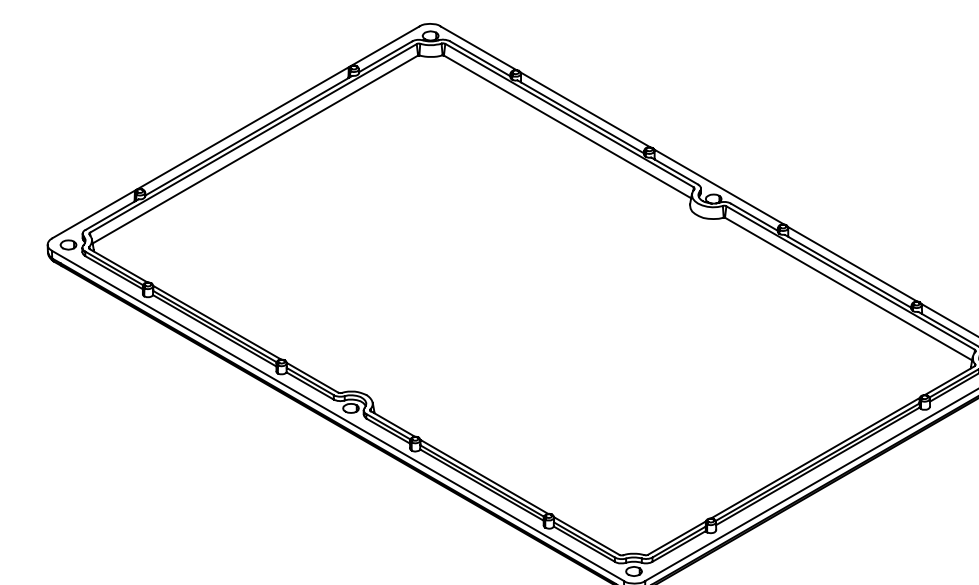
SURFACE-10



SURFACE-8



SURFACE-12 (INSIDE)

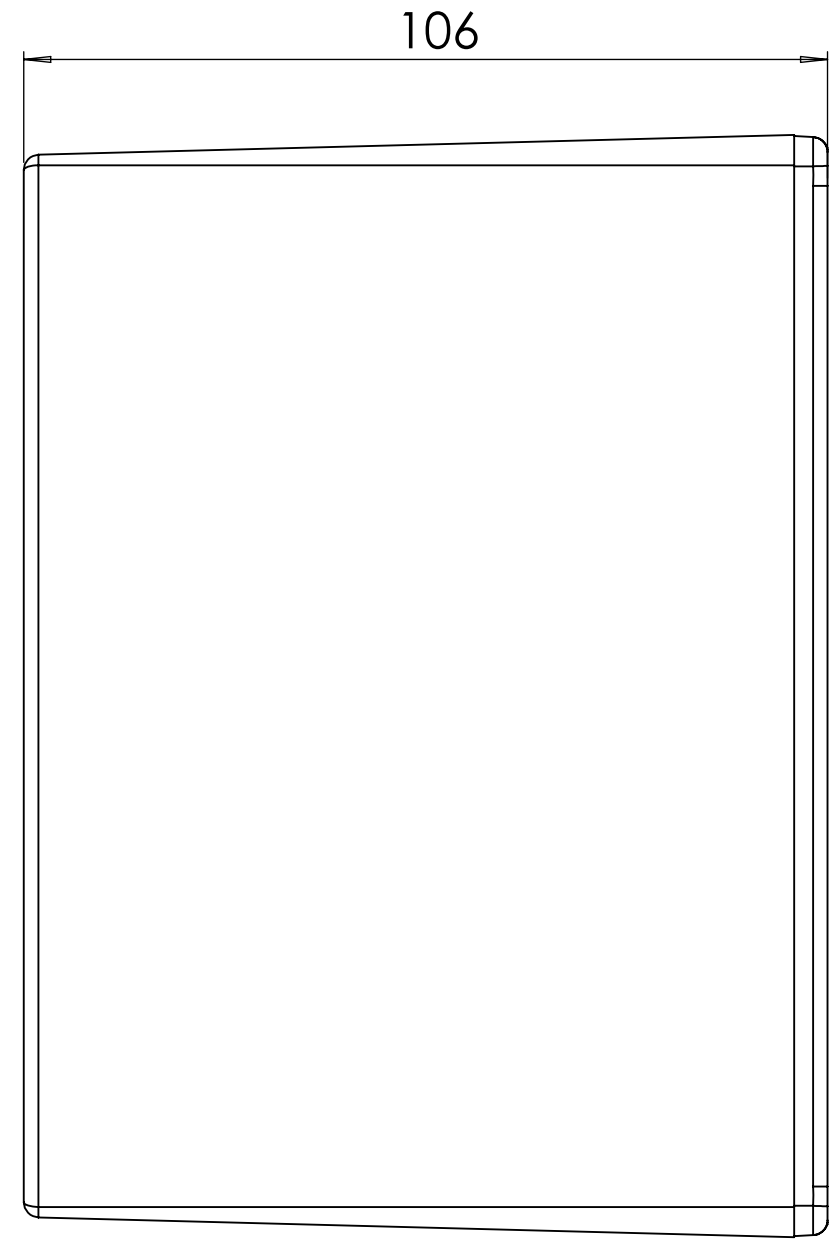


REV. NO	DATE	REVISED BY	DESCRIPTION OF CHANGE	
 ALTINKAYA Electronic Enclosures & Components			www.altinkaya.com	
Customer Name:		Customer Ref.:		
Altinkaya Ref.:		Part Name: SE-413		
DRAWN	NAME	DATE	Drawn From:	SCALE 1:1
	S.YESILOZ	18.11.2024		SHEET 1 OF 2
CHECKED	Y.YEL	18.11.2024	Weight:	UNIT: mm
DIMENSIONAL TOLERANCES UNLESS OTHERWISE SPECIFIED (DIN7168)		0.5-3mm	3-6mm	6-30mm
		±0.1	±0.1	±0.2
			±0.3	±0.5
				m (Medium)

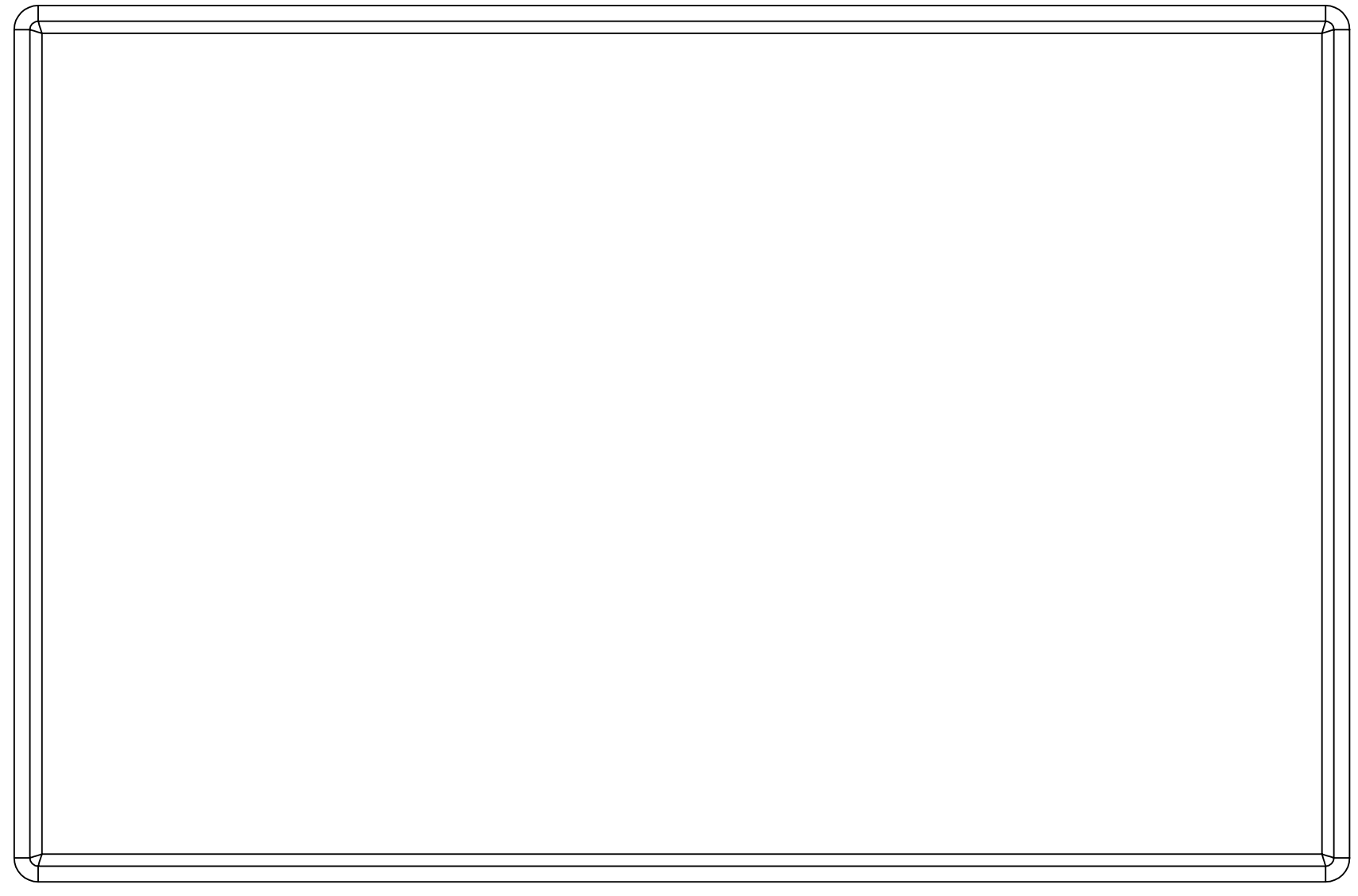
SE-413 IF MACHINED TOGETHER



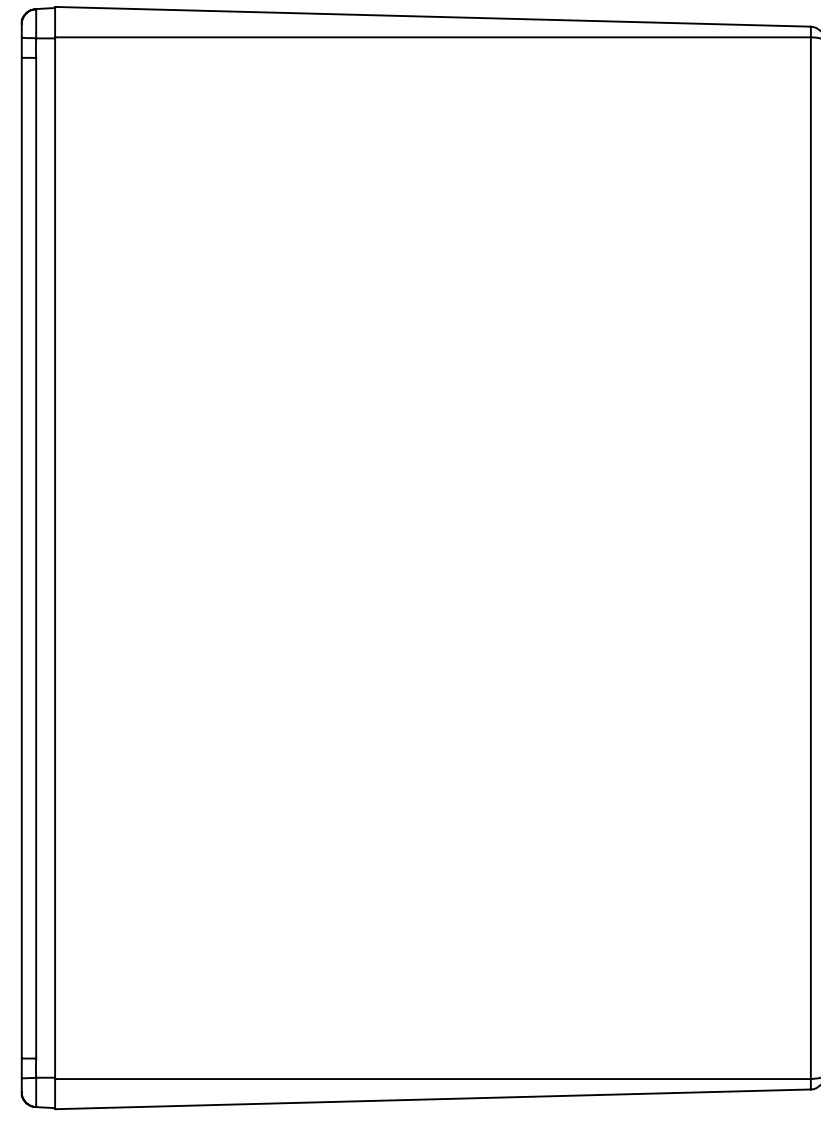
SURFACE-13



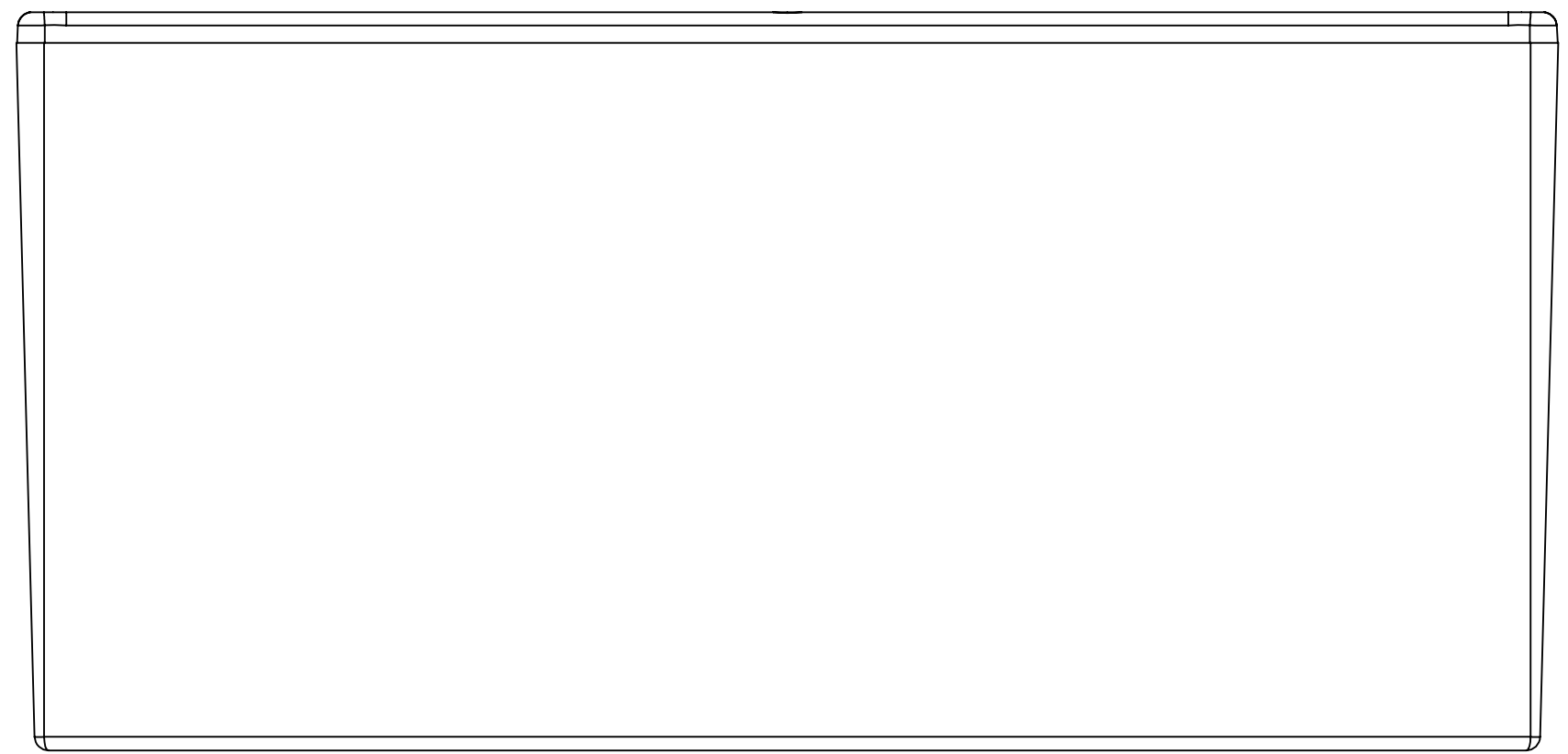
SURFACE-15



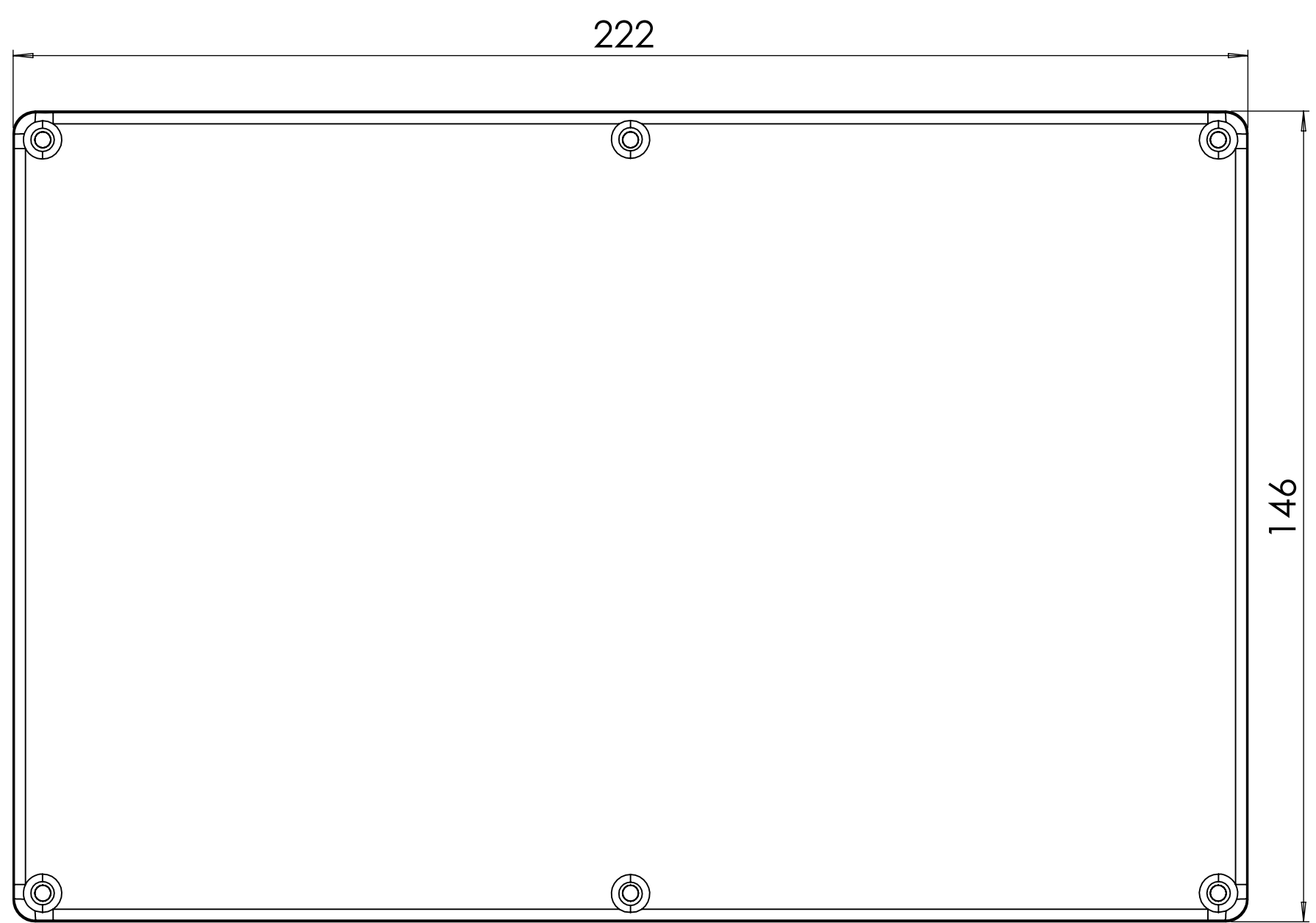
SURFACE-17



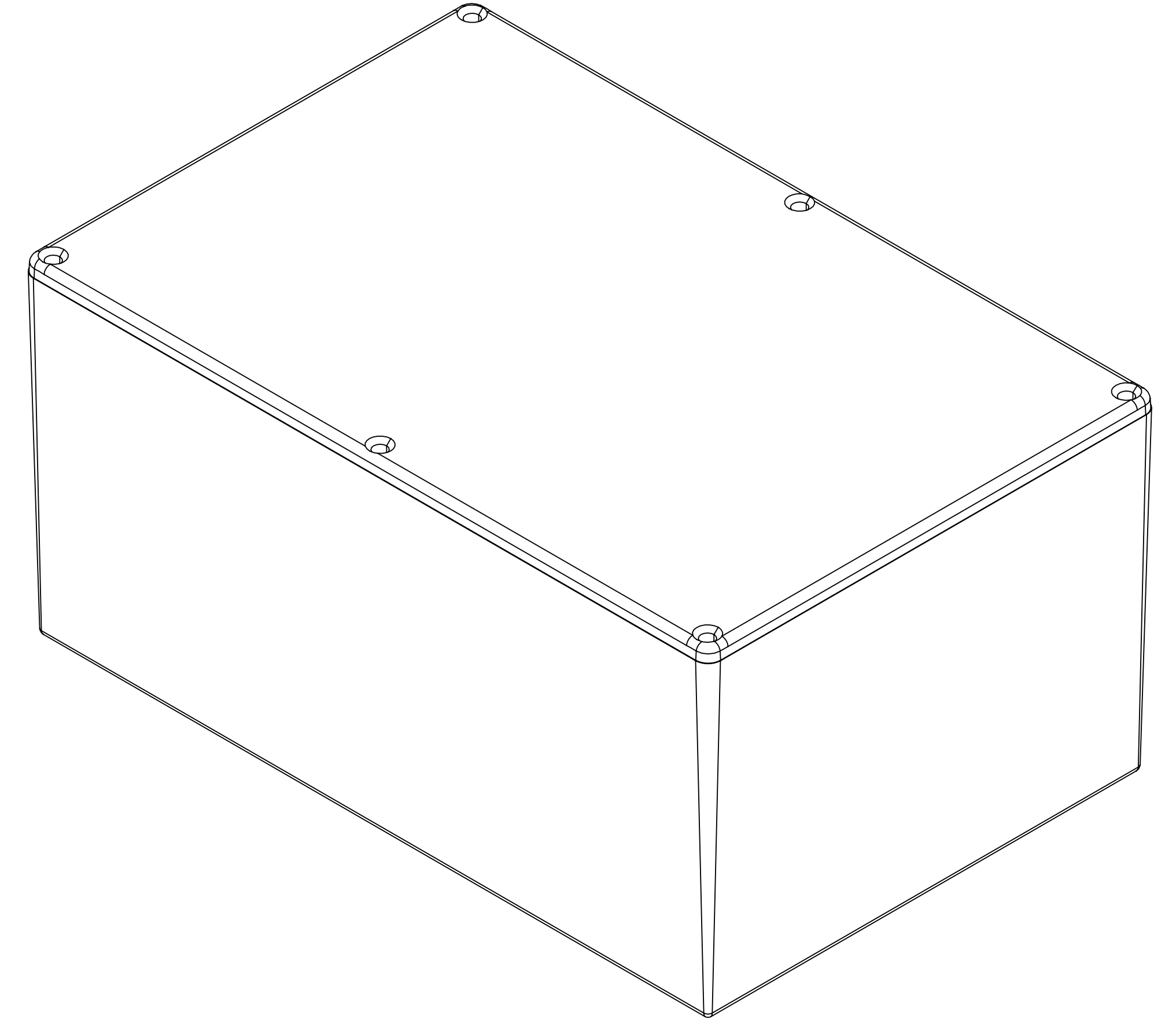
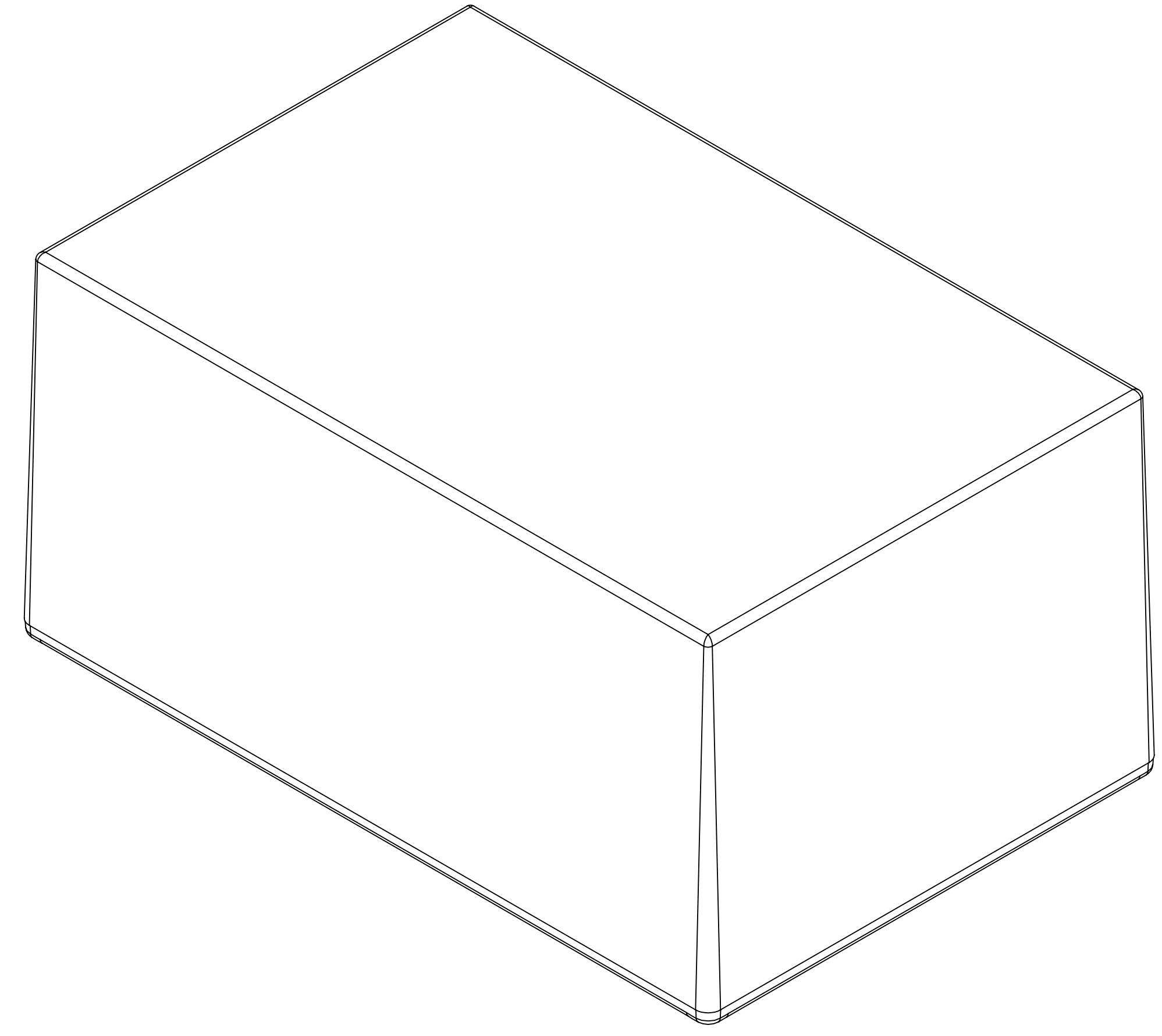
SURFACE-16




SURFACE-14



SURFACE-18



REV. NO	DATE	REVISED BY	DESCRIPTION OF CHANGE
 ALTINKAYA Electronic Enclosures & Components			www.altinkaya.com
Customer Name:		Customer Ref.:	
Altinkaya Ref.:		Part Name: SE-413	
DRAWN	NAME	DATE	Drawn From:
CHECKED	Y.YEL	18.11.2024	Material:
DIMENSIONAL TOLERANCES UNLESS OTHERWISE SPECIFIED (DIN7168)		0.5-3mm	3-6mm
±0.1	±0.1	±0.2	±0.3
		6-30mm	30-120mm
		120-400mm	Dimension (mm)
		±0.5	m (Medium)
SCALE 1:1			SHEET 2 OF 2
UNIT: mm			A0