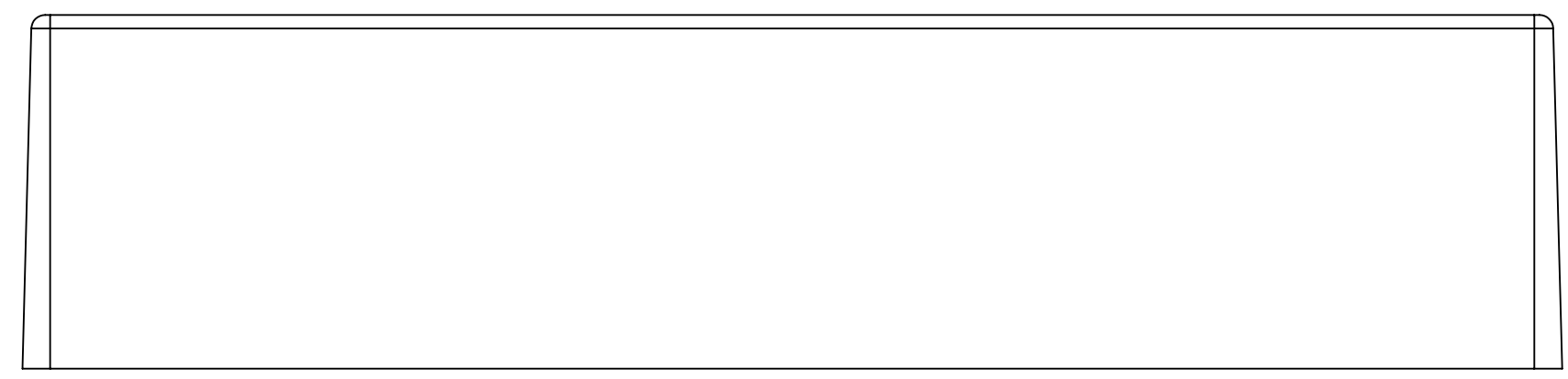
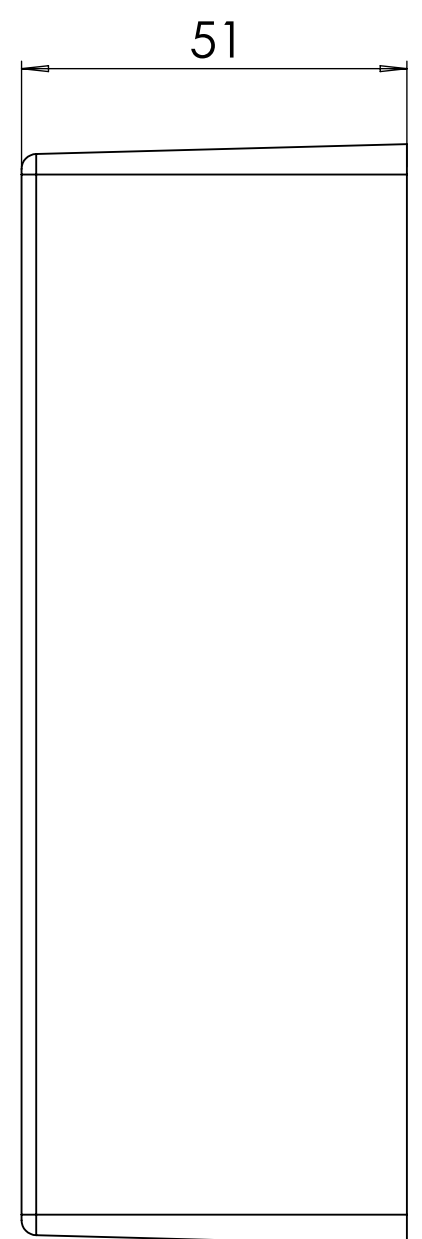


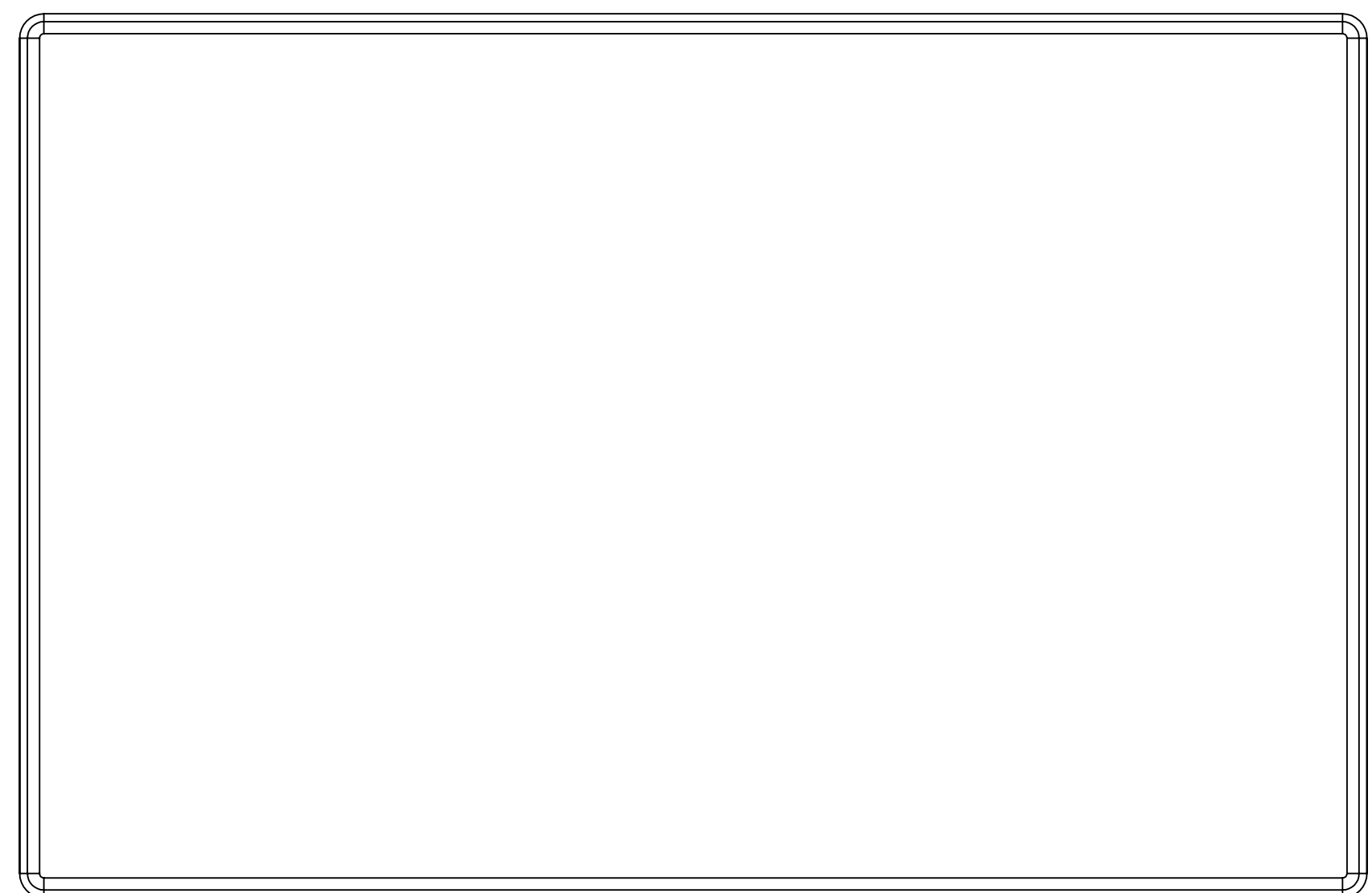
**BASE: 6 SURFACE**



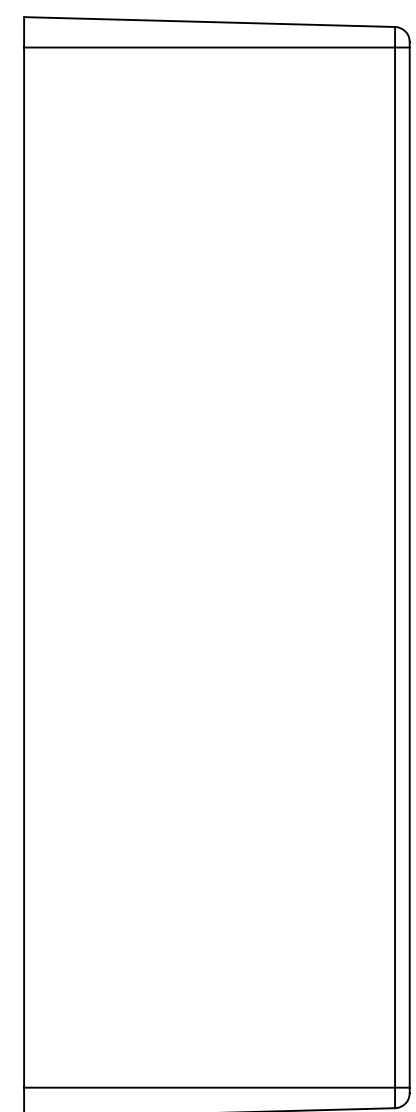
SURFACE-1



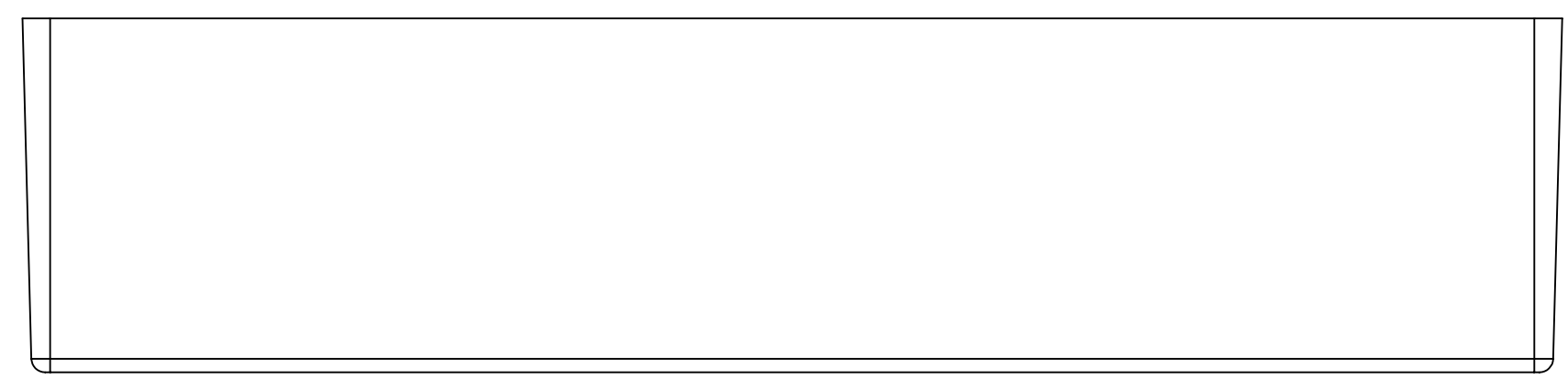
SURFACE-3



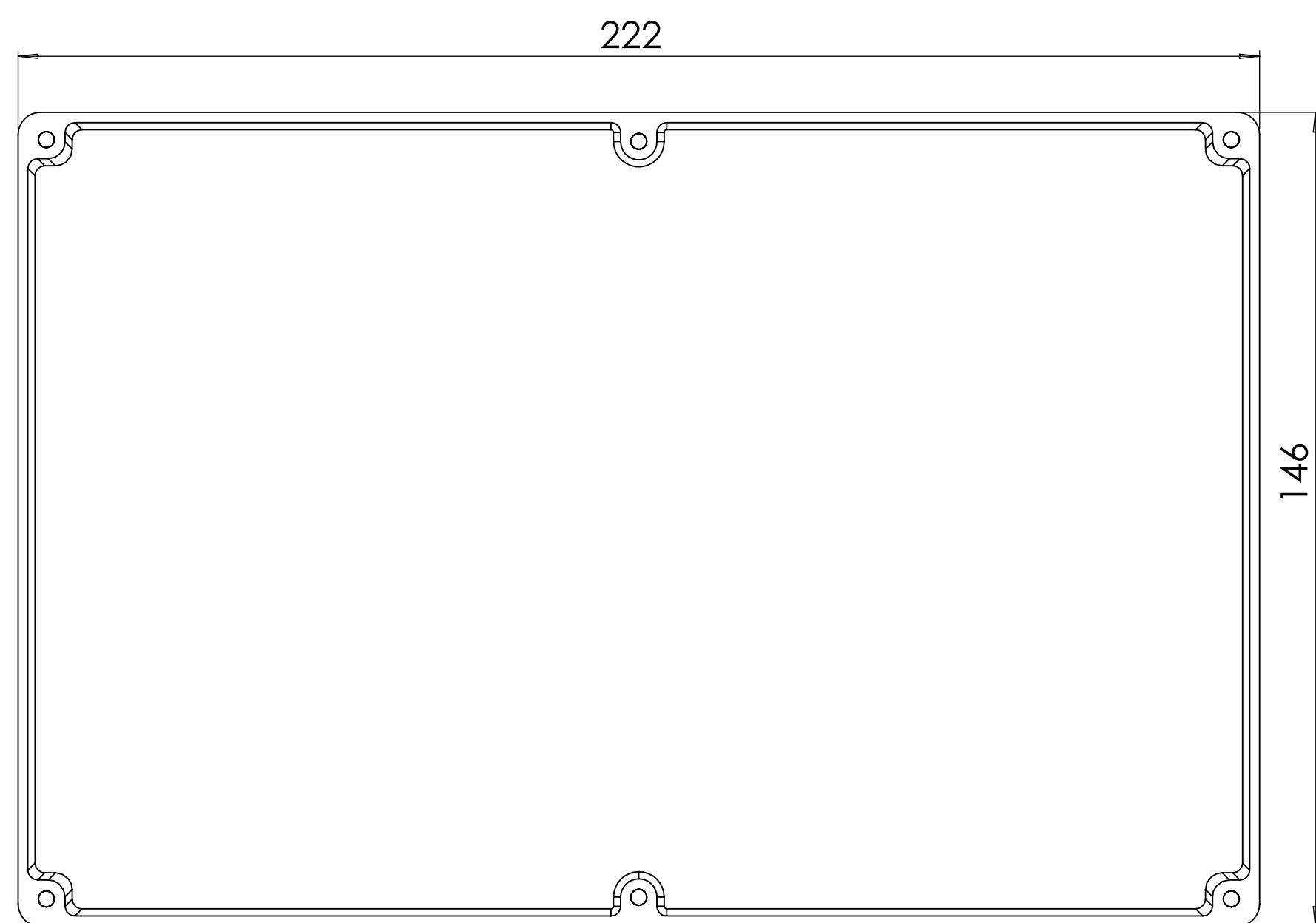
SURFACE-5



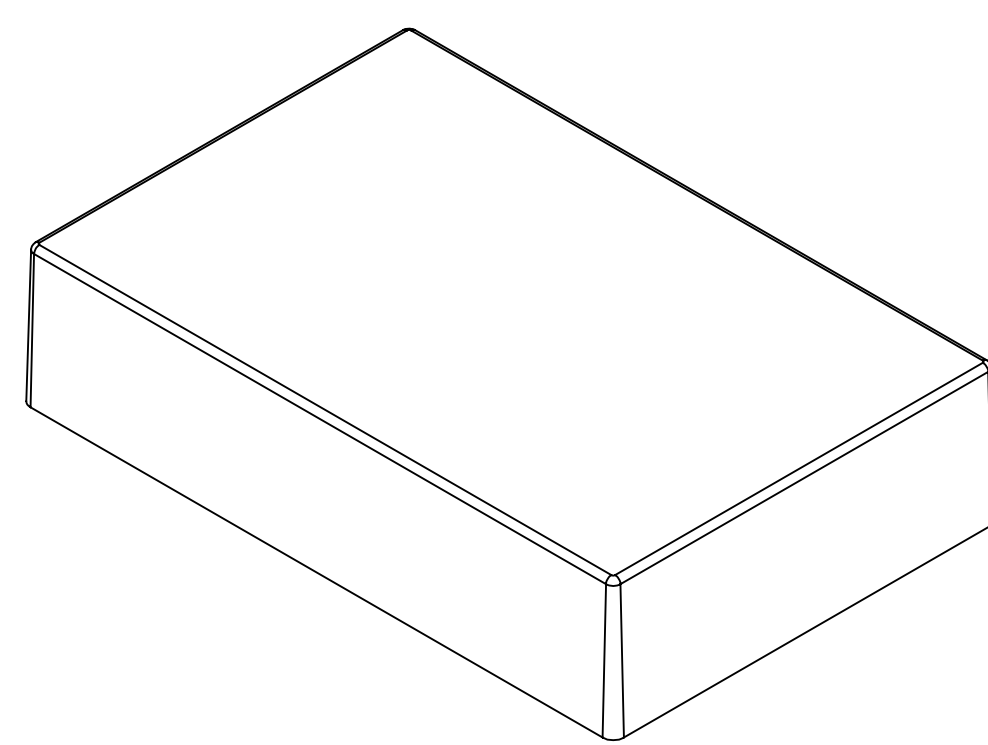
SURFACE-4



SURFACE-2



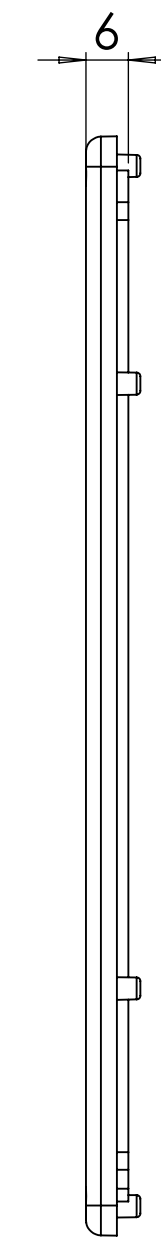
SURFACE-6 (INSIDE)



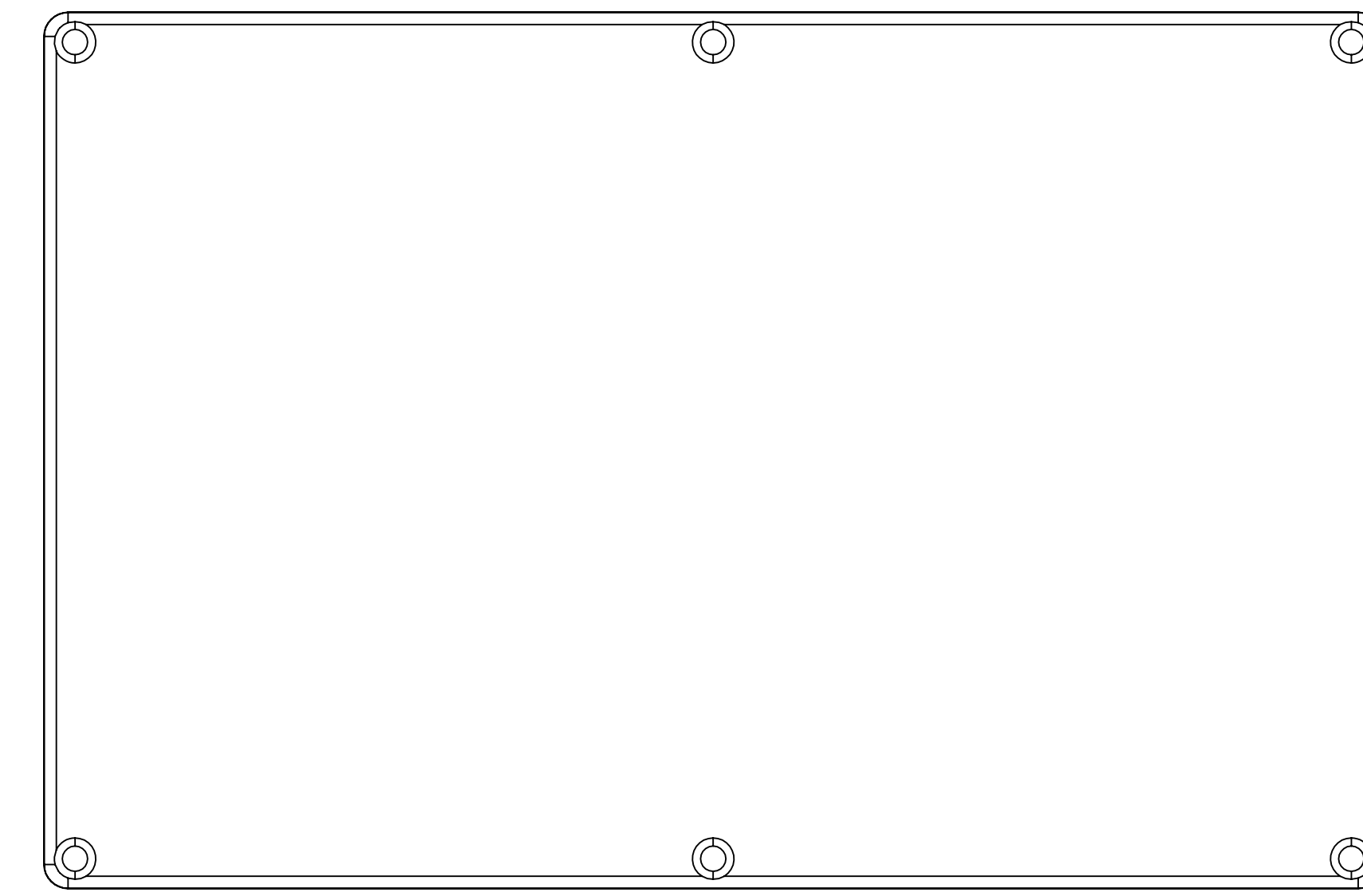
**COVER: 6 SURFACE**



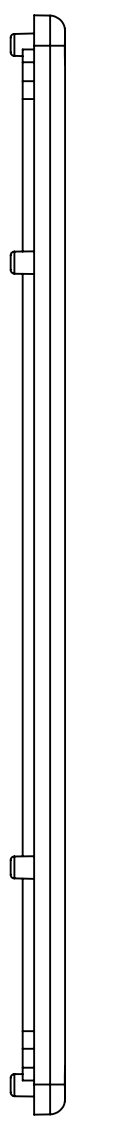
SURFACE-7



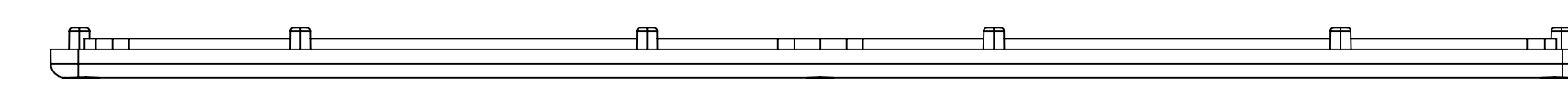
SURFACE-9



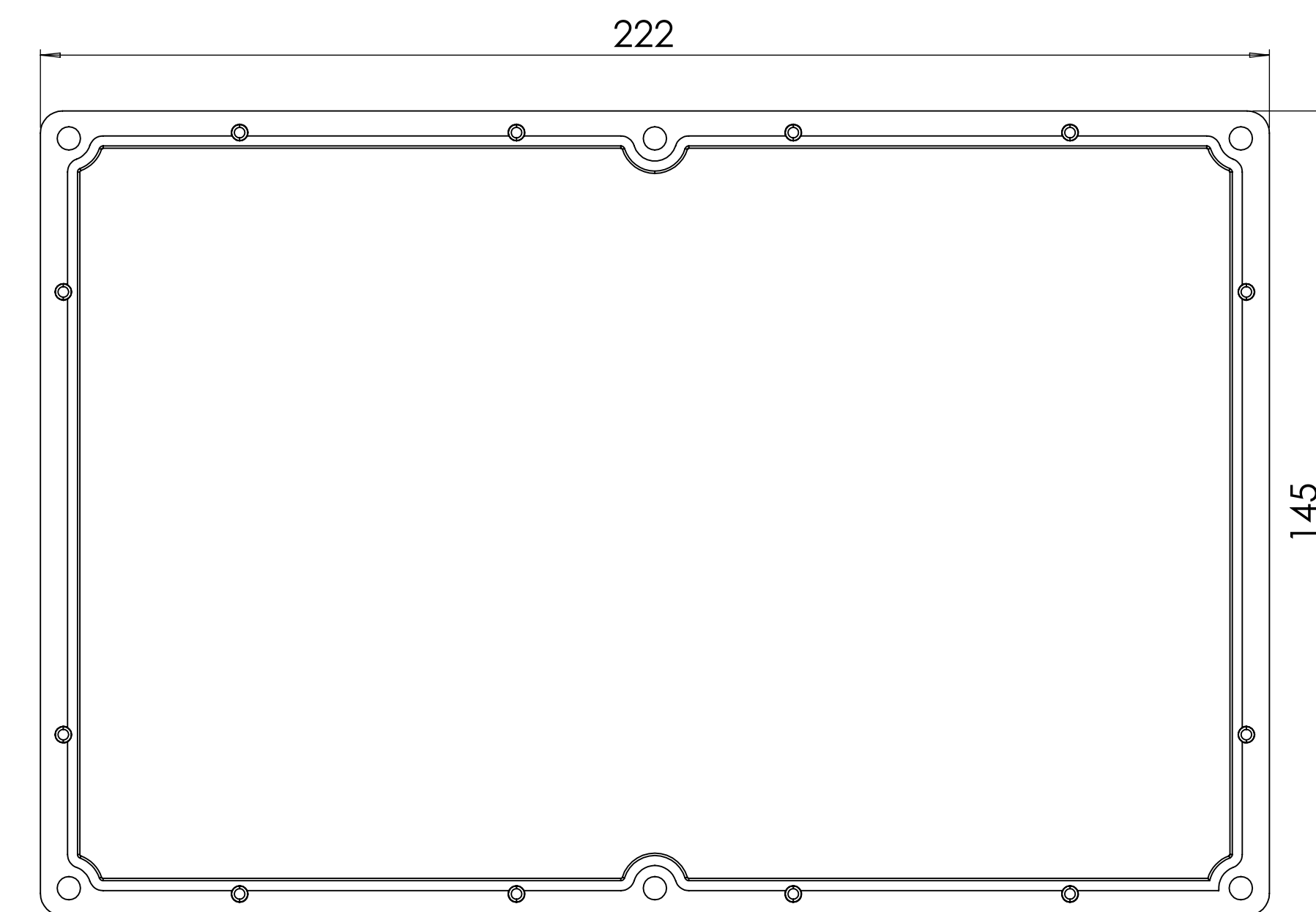
SURFACE-11



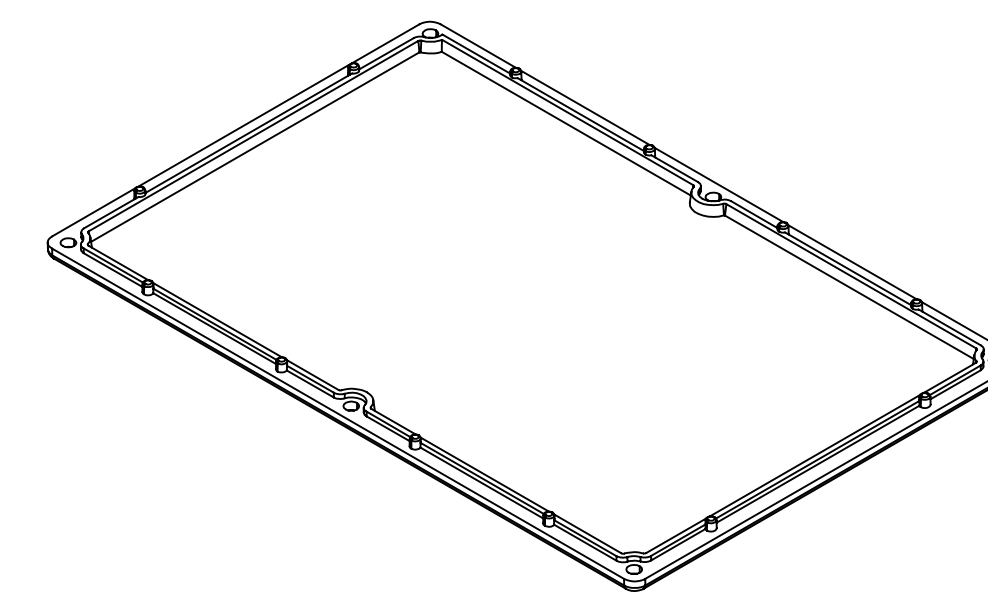
SURFACE-10




SURFACE-8

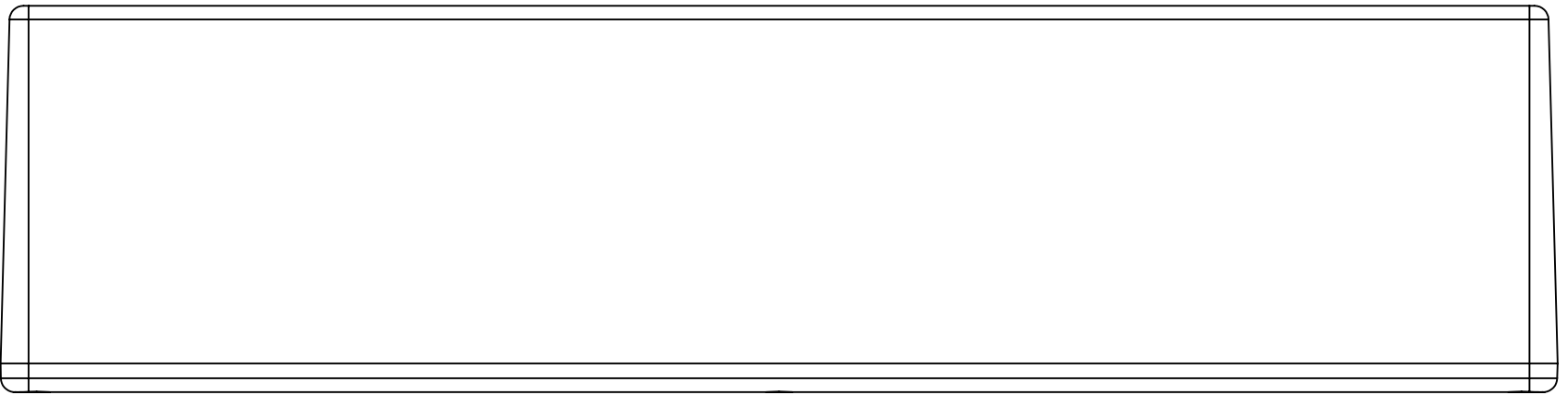


SURFACE-12 (INSIDE)

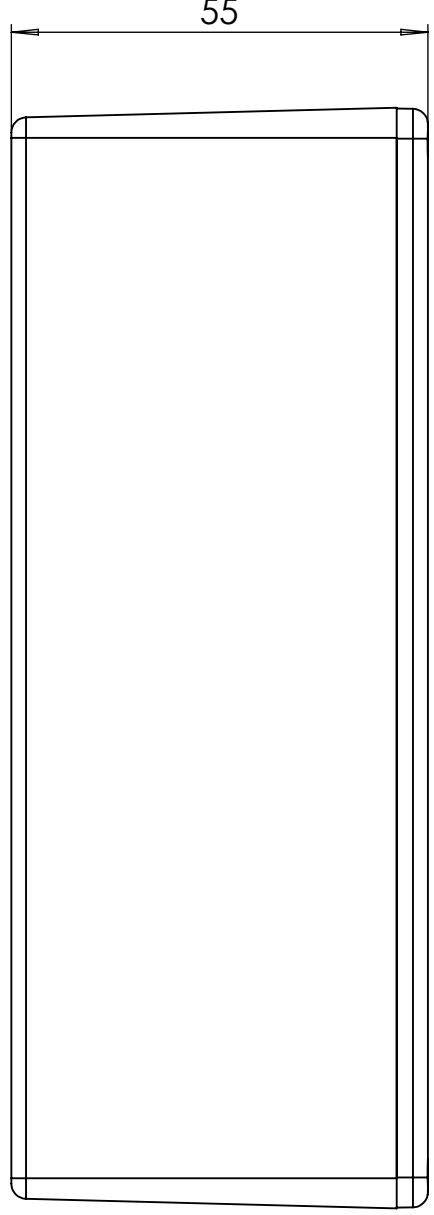


REV. NO	DATE	REVISED BY	DESCRIPTION OF CHANGE					
 <b>ALTINKAYA</b> Electronic Enclosures & Components			<a href="http://www.altinkaya.com">www.altinkaya.com</a>					
Customer Name:		Customer Ref.:						
Altinkaya Ref.:		Part Name: SE-412						
NAME	DATE	Drawn From:	SCALE 1:1					
DRAWN S.YEŞİLOZ	18.11.2024	Material:	SHEET 1 OF 2					
CHECKED Y.YEL	18.11.2024	Weight:	UNIT: mm					
DIMENSIONAL TOLERANCES UNLESS OTHERWISE SPECIFIED (DIN7168)		0.5-3mm	3-6mm	6-30mm	30-120mm	120-400mm	Dimension (mm)	AO
		±0.1	±0.1	±0.2	±0.3	±0.5	m (Medium)	1

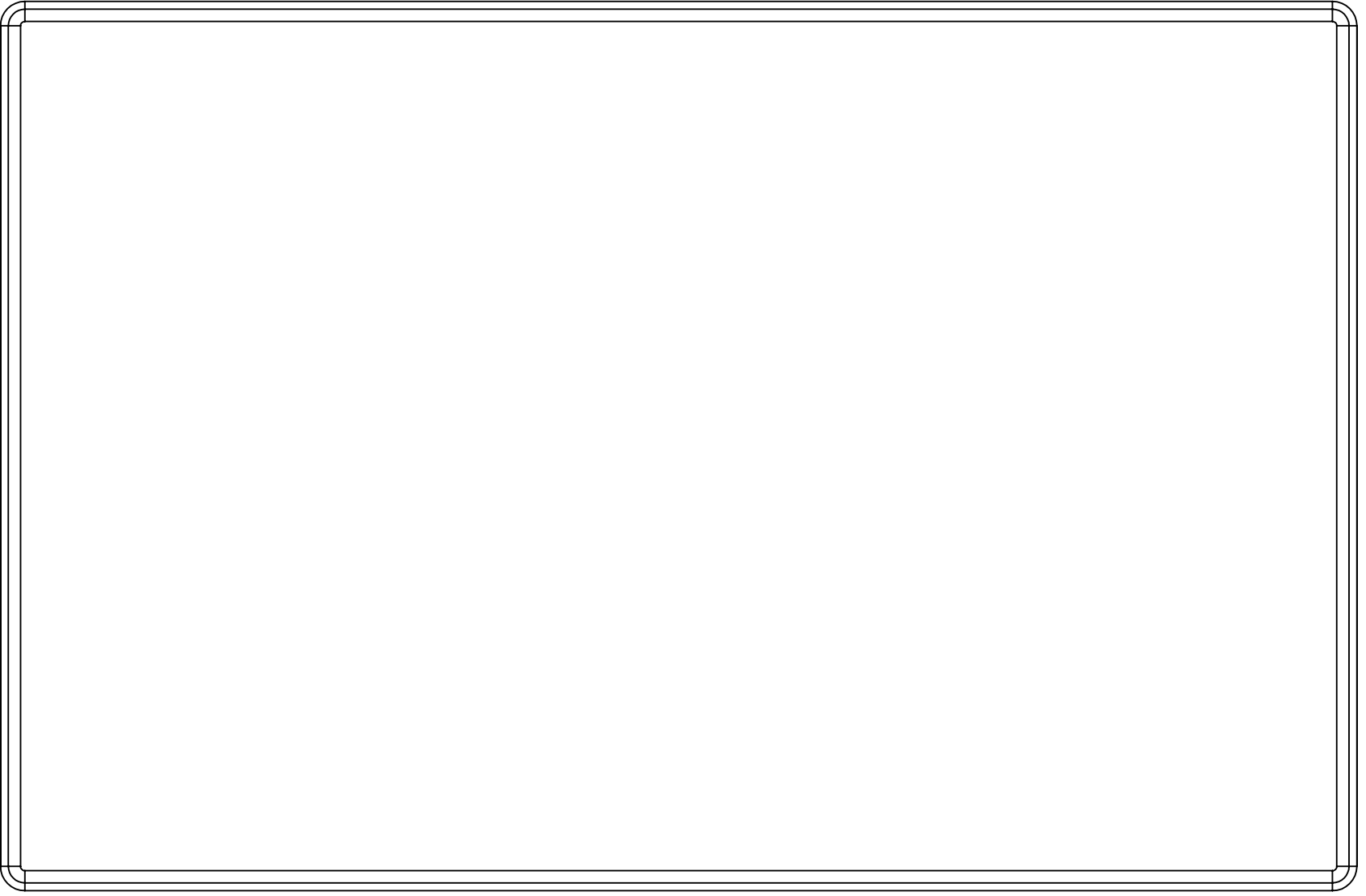
**SE-412 IF MACHINED TOGETHER**



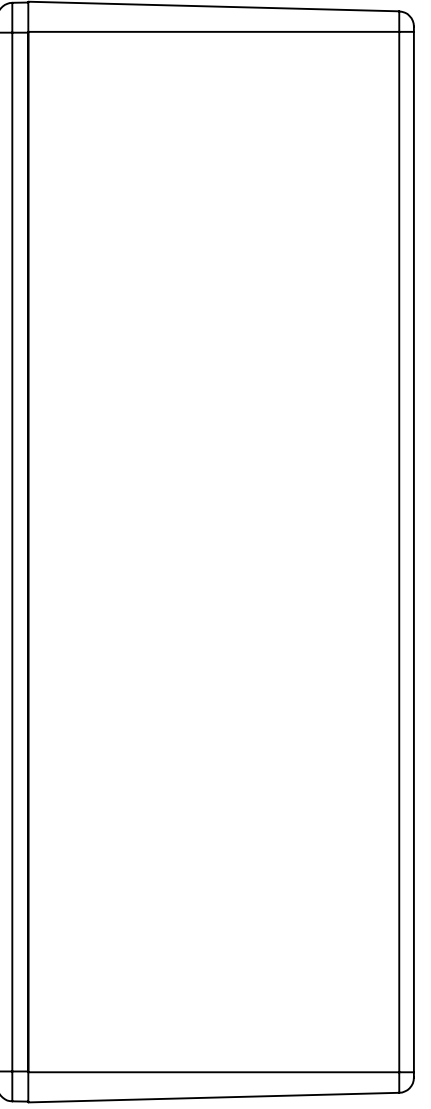
SURFACE-13



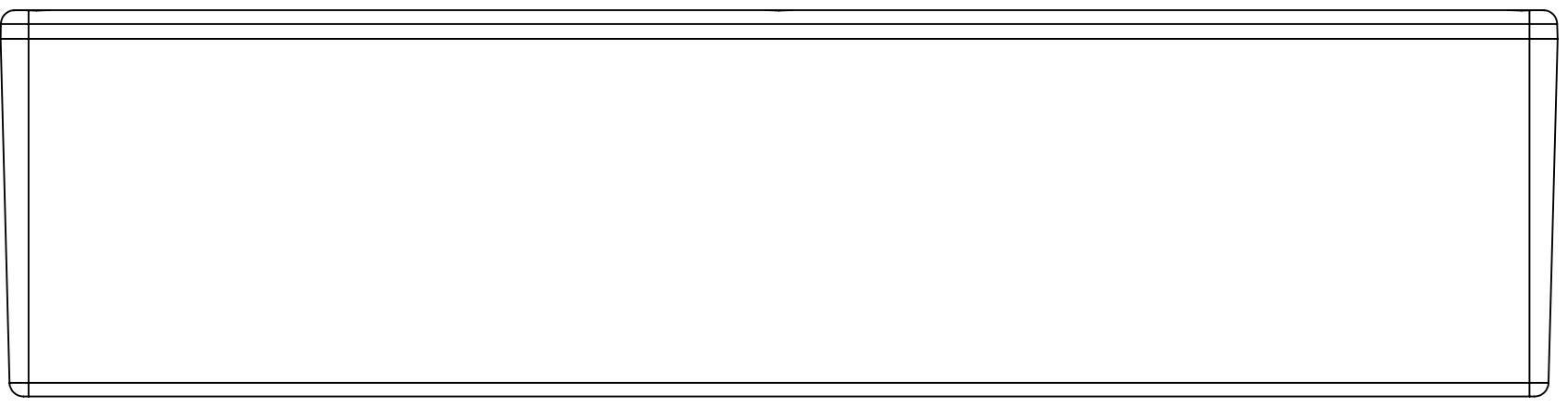
SURFACE-15



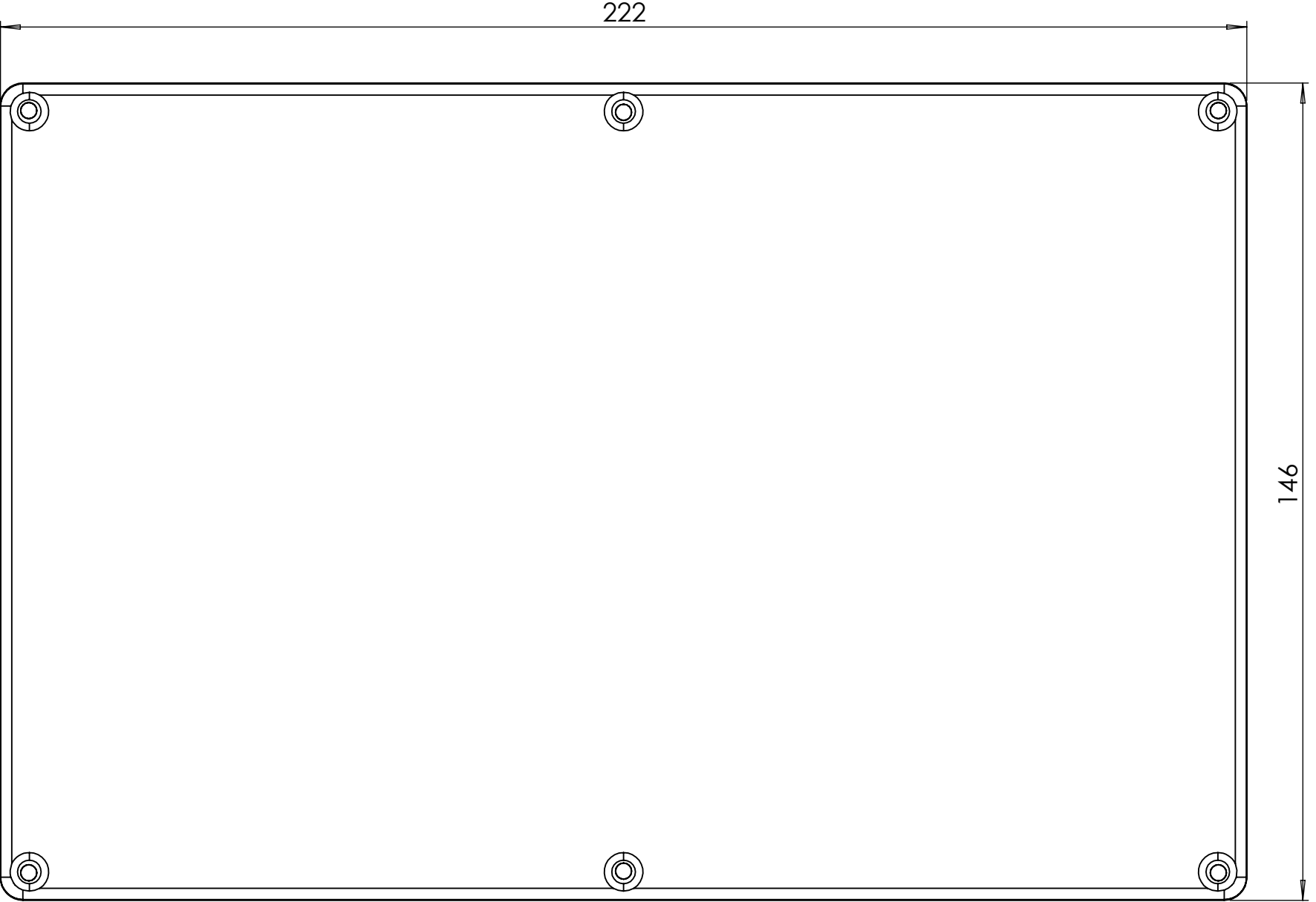
SURFACE-17



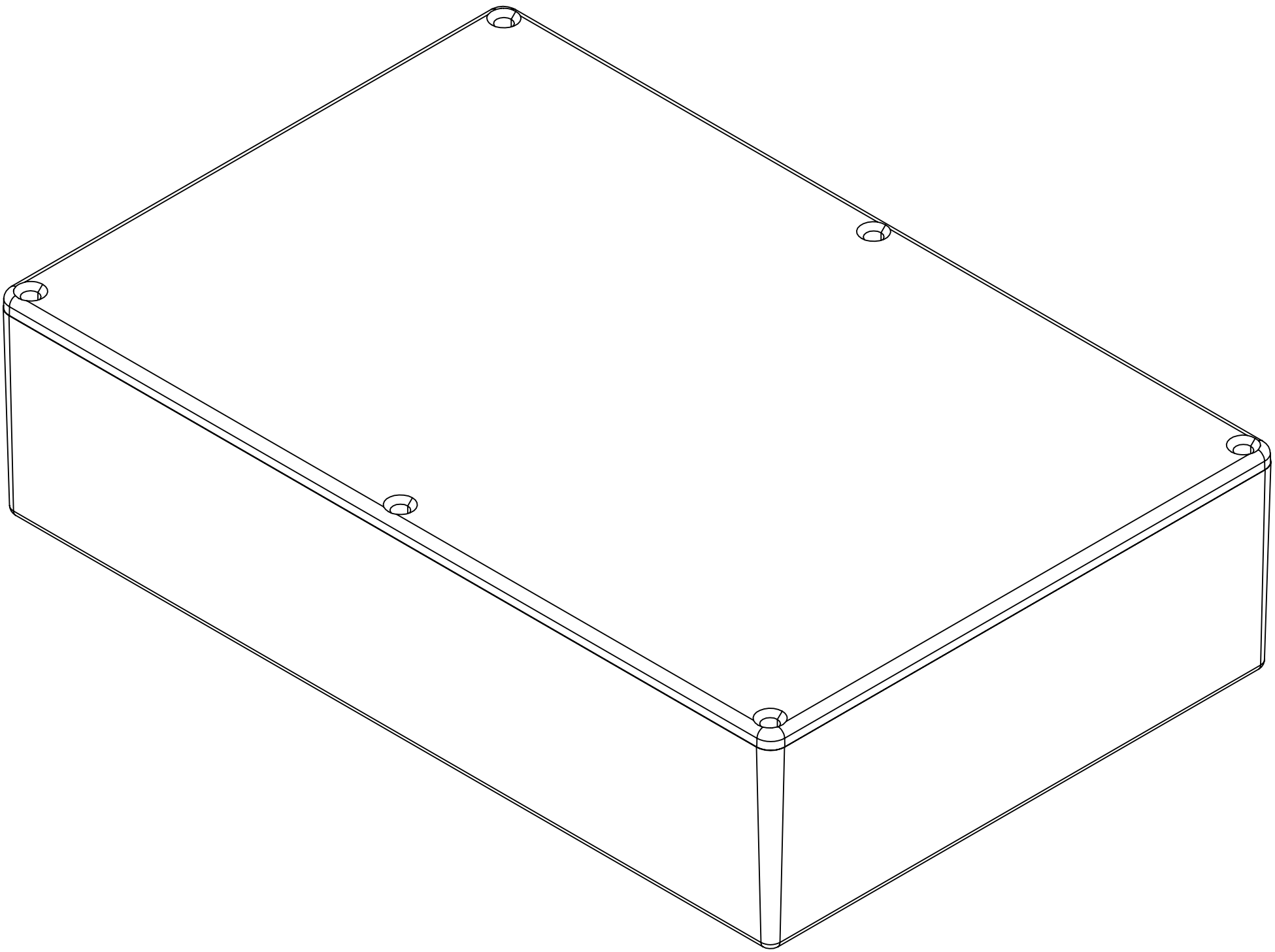
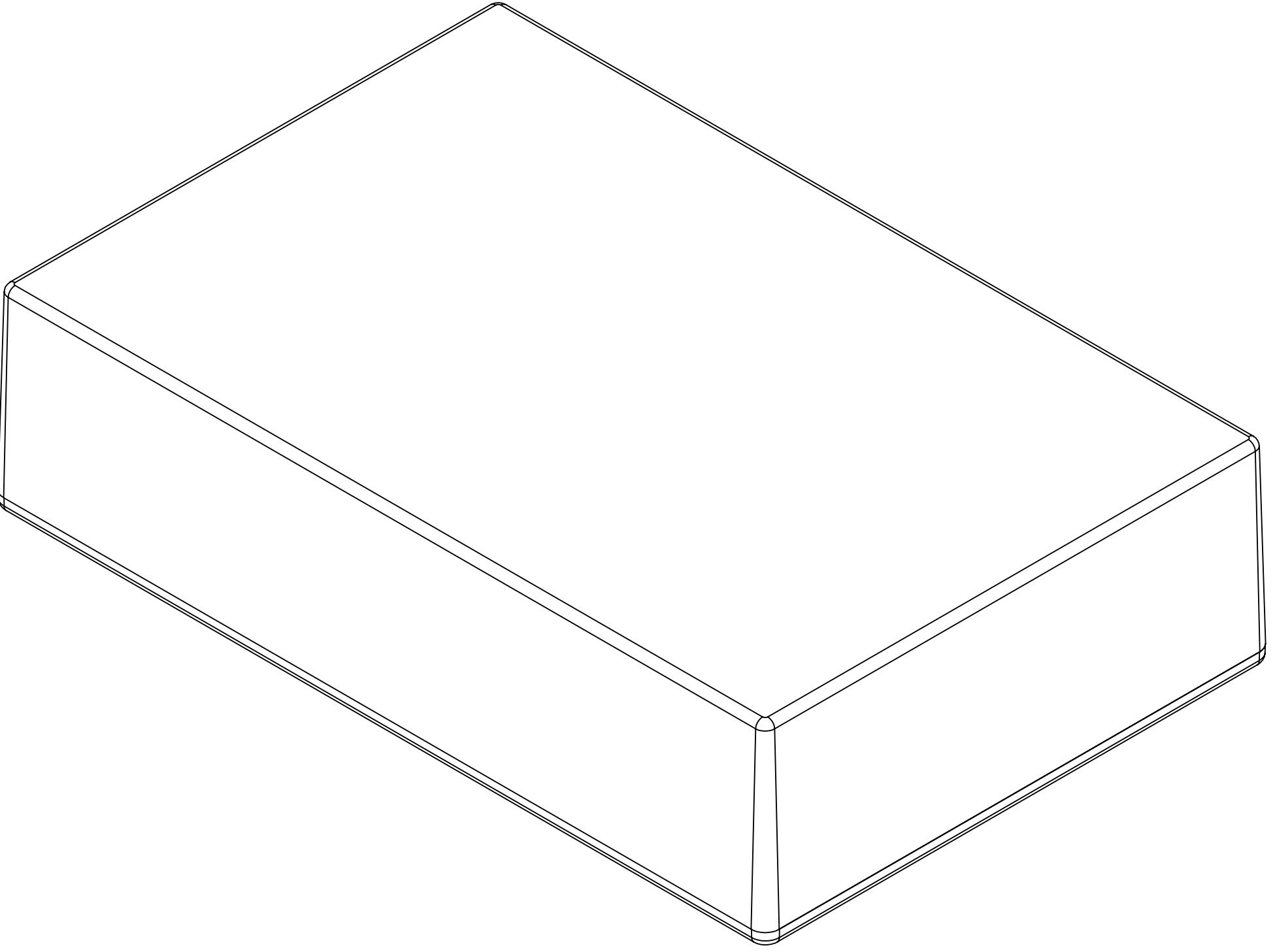
SURFACE-16




SURFACE-14



SURFACE-18



REV. NO	DATE	REVISED BY	DESCRIPTION OF CHANGE
 <b>ALTINKAYA</b> Electronic Enclosures & Components			<a href="http://www.altinkaya.com">www.altinkaya.com</a>
Customer Name:		Customer Ref.:	
Altinkaya Ref.:		Part Name: SE-412	
DRAWN	NAME	DATE	Drawn From:
CHECKED	Y.YEL	18.11.2024	Weight:
DIMENSIONAL TOLERANCES UNLESS OTHERWISE SPECIFIED (DIN7168)			
0.5-3mm	3-6mm	6-30mm	30-120mm
±0.1	±0.1	±0.2	±0.3
			120-400mm
			±0.5
			m (Medium)
			SCALE 1:1
			SHEET 2 OF 2
			UNIT: mm
			A0