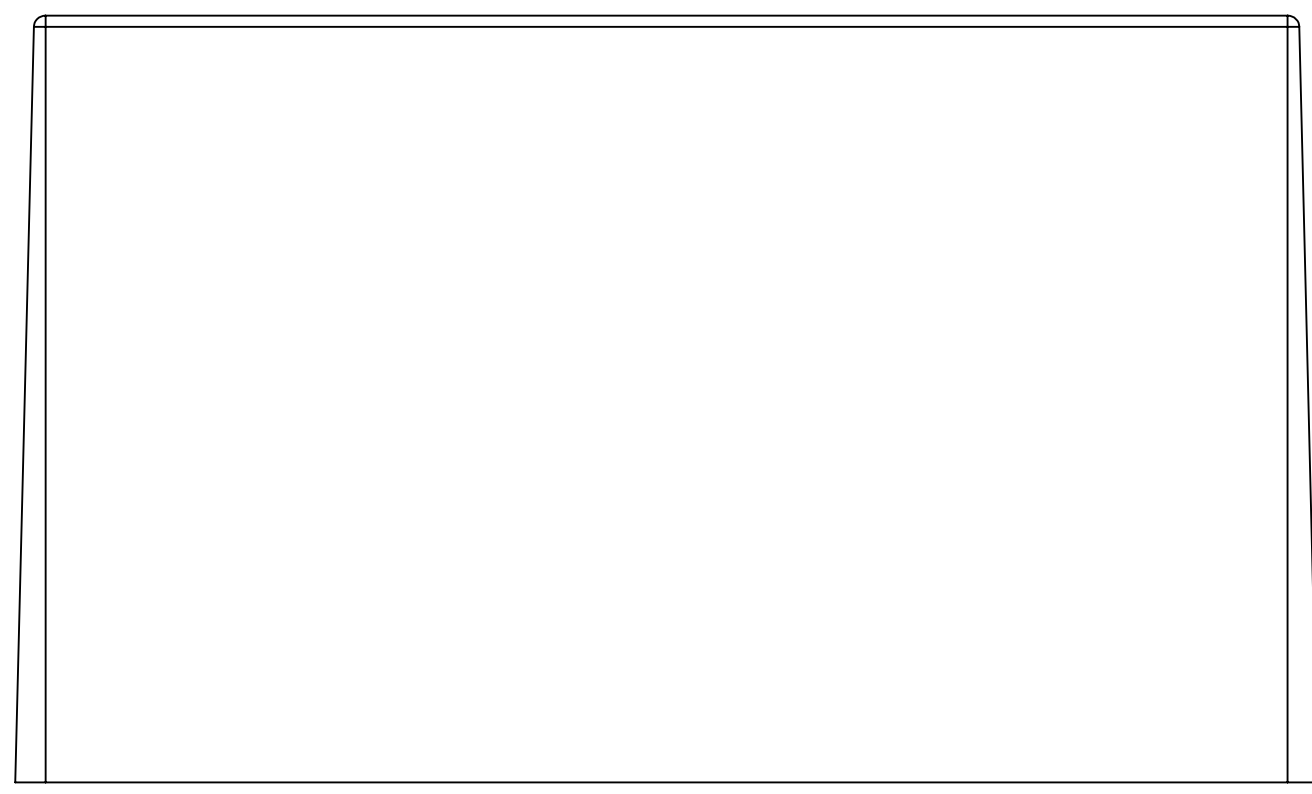
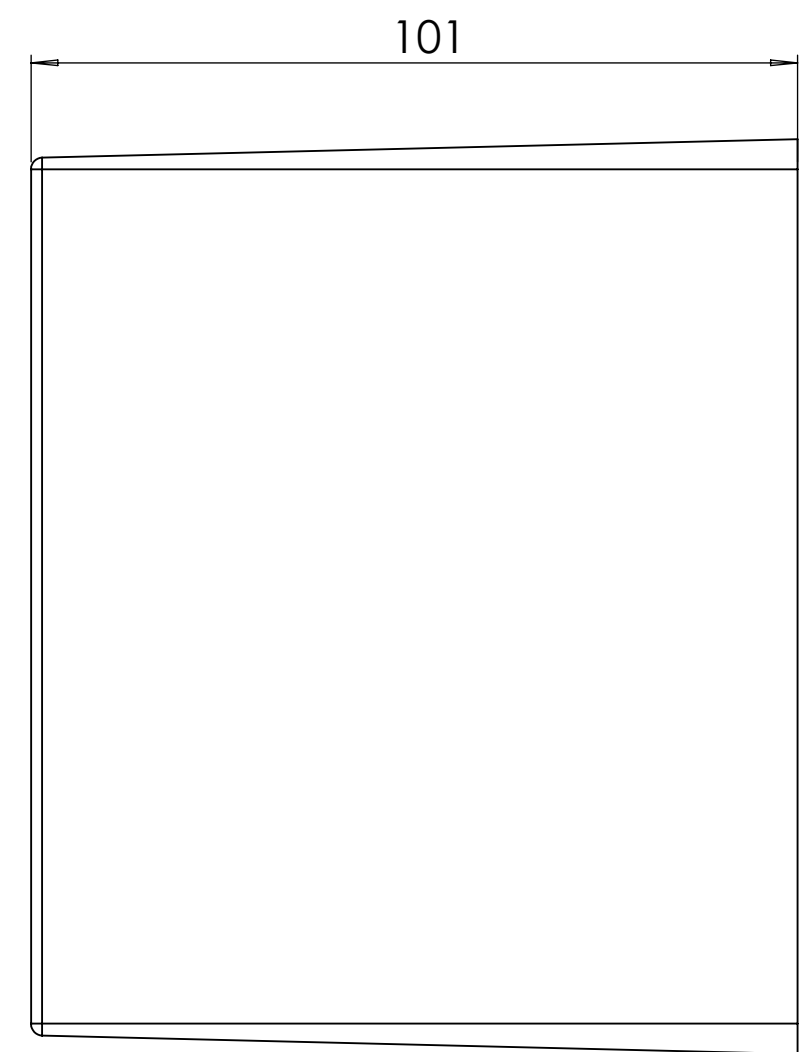


**BASE: 6 SURFACE**

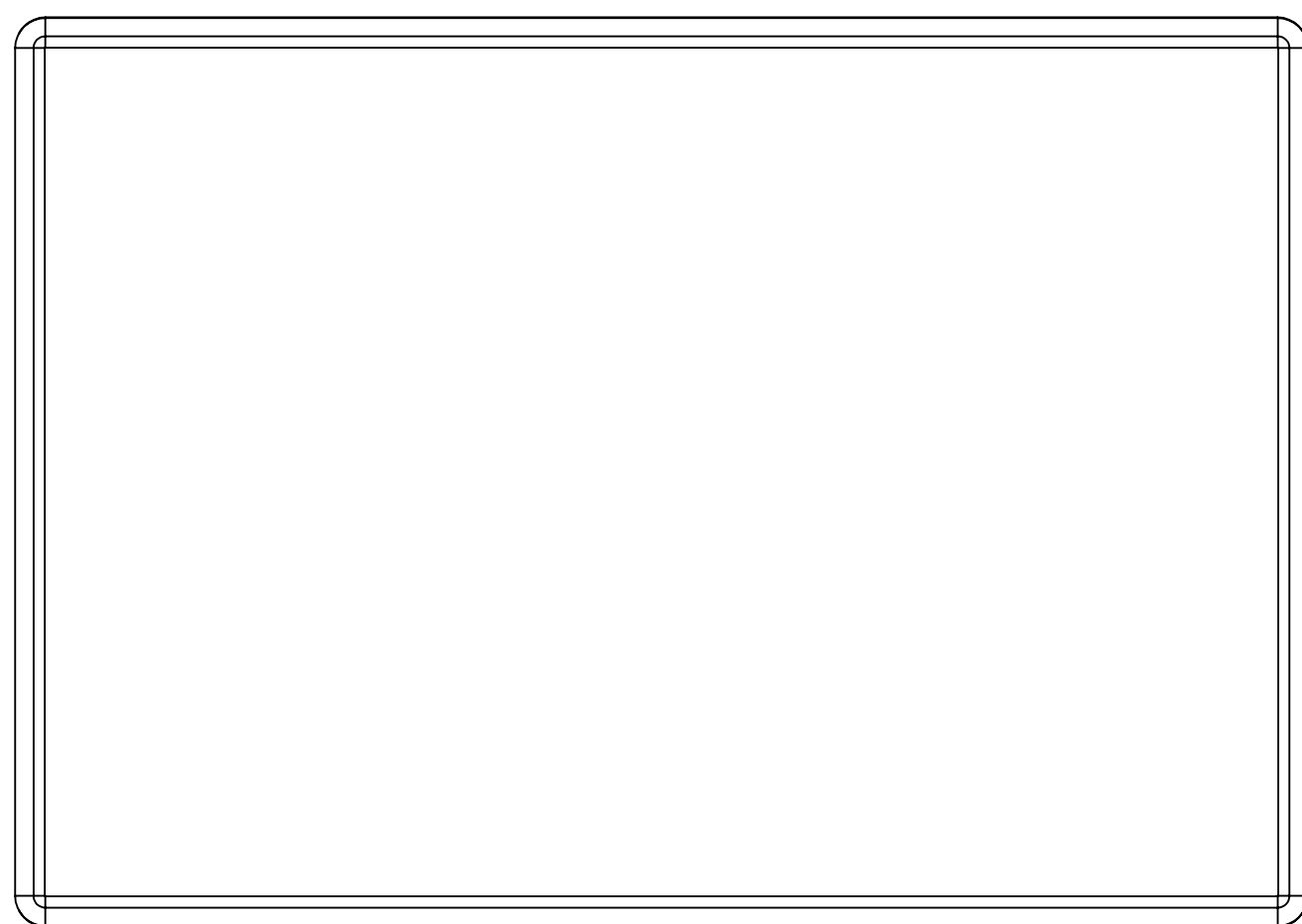
**COVER: 6 SURFACE**



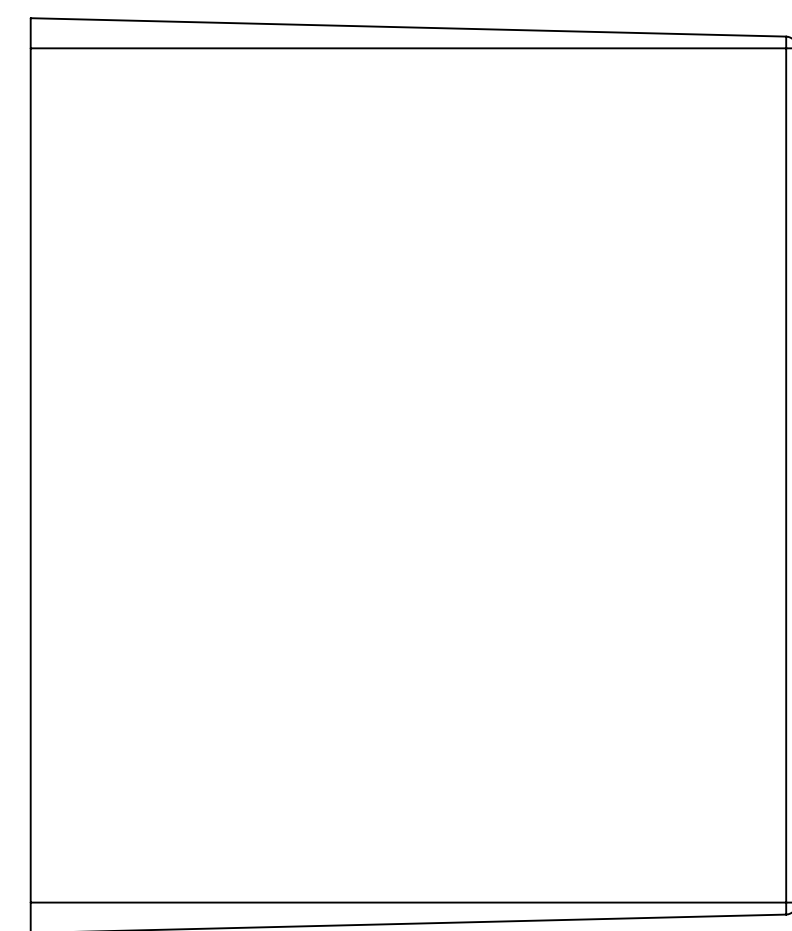
SURFACE-1



SURFACE-3



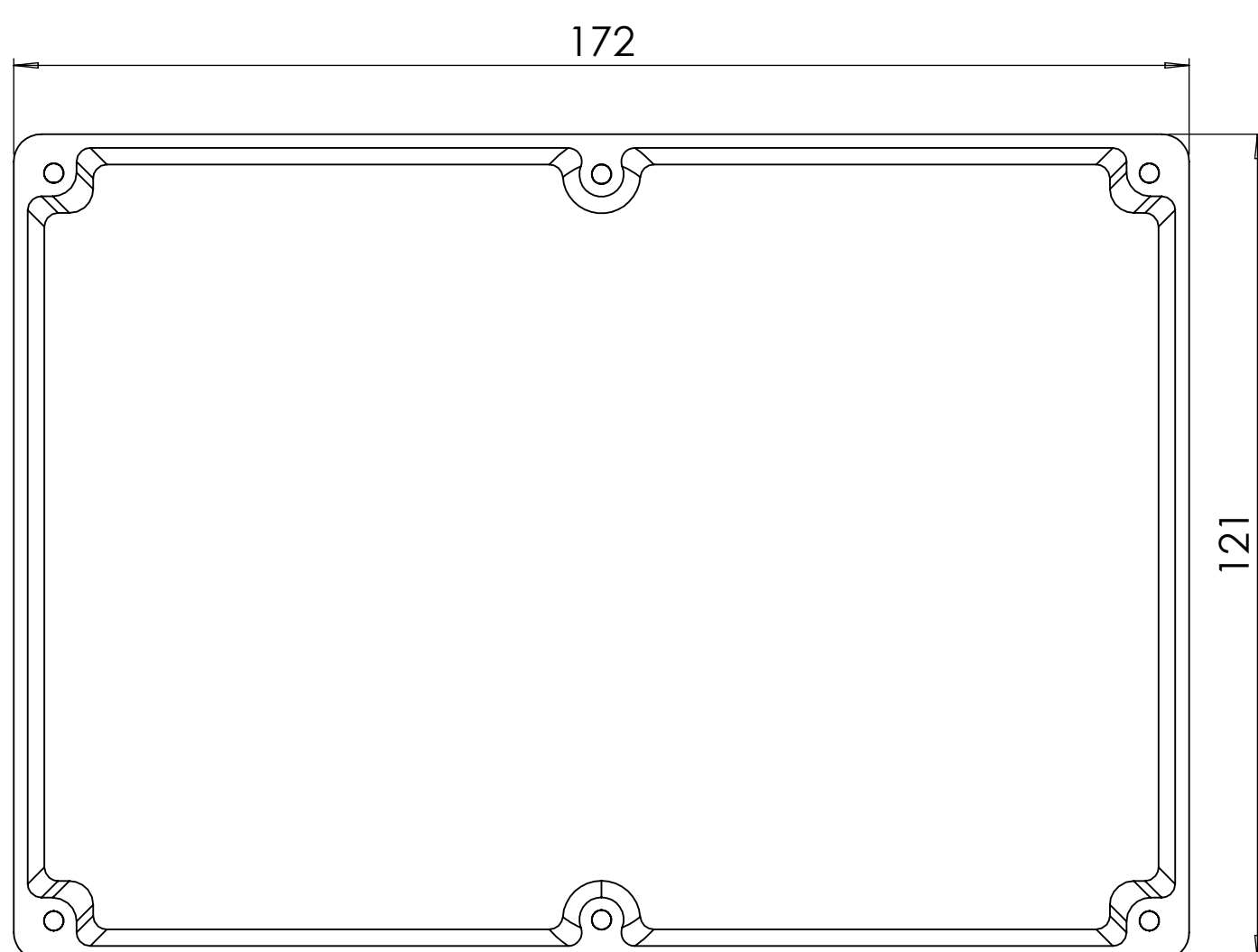
SURFACE-5



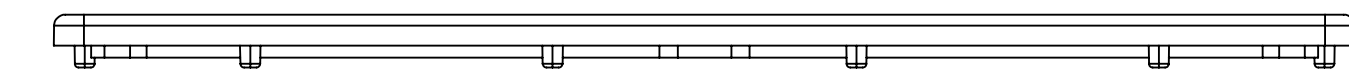
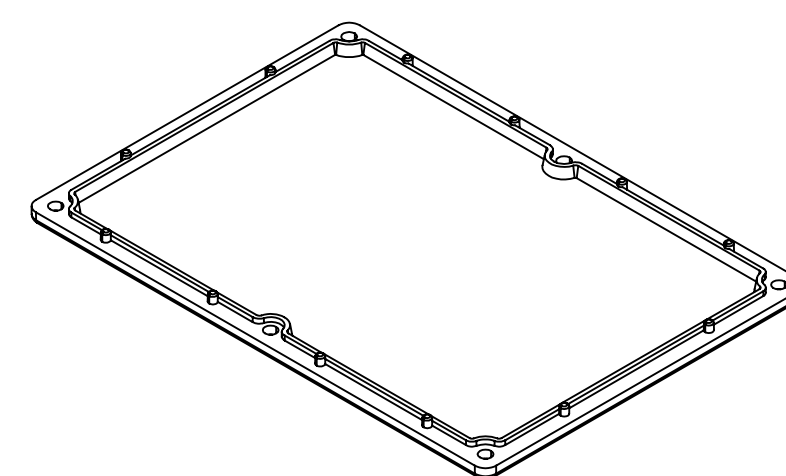
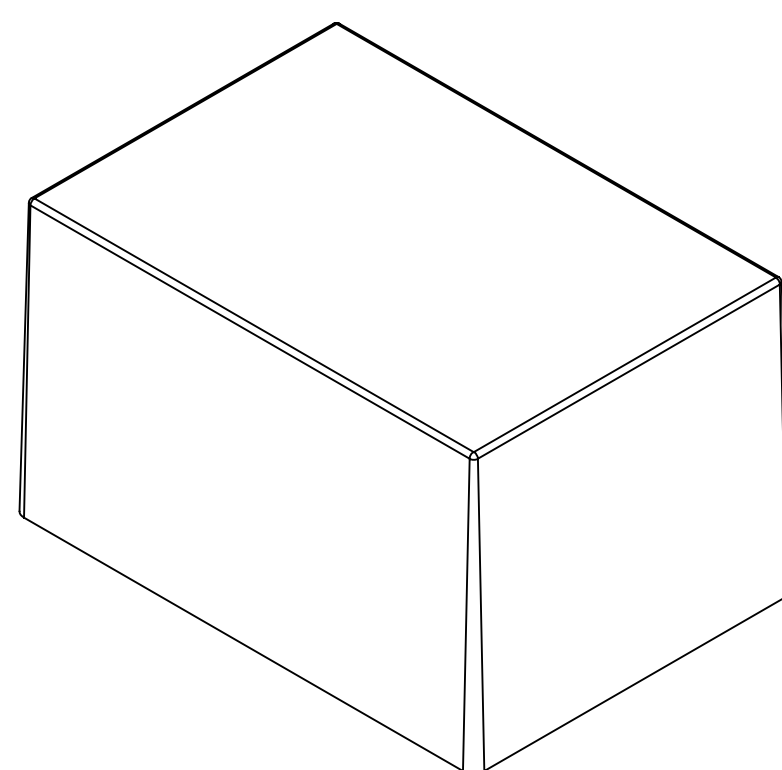
SURFACE-4



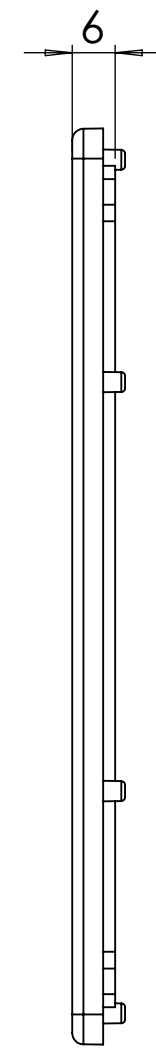
SURFACE-2



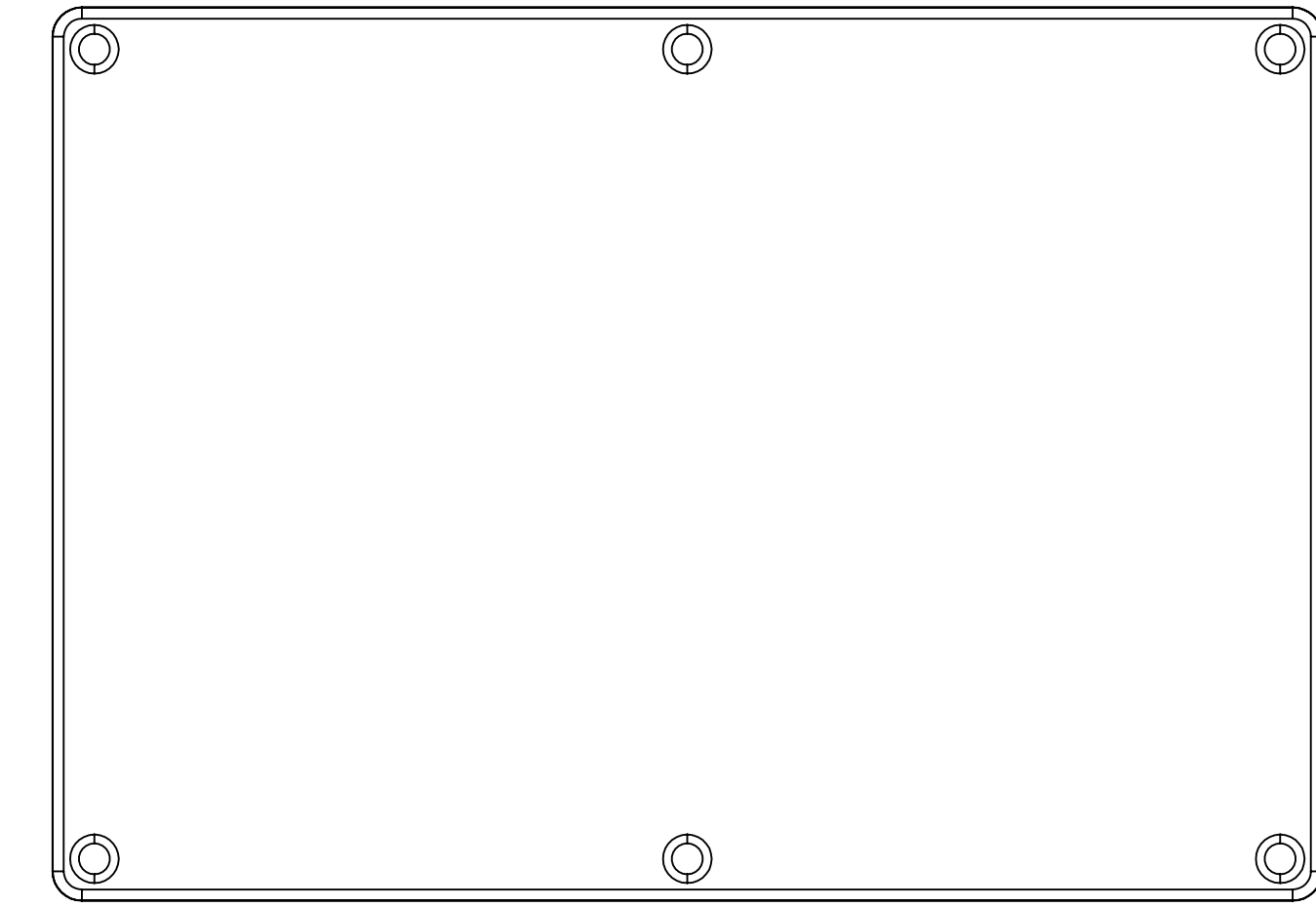
SURFACE-6 (INSIDE)



SURFACE-7



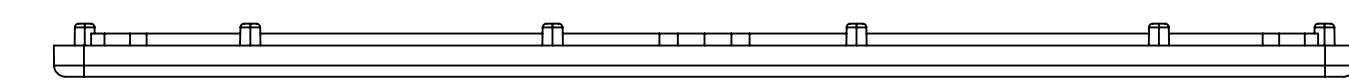
SURFACE-9



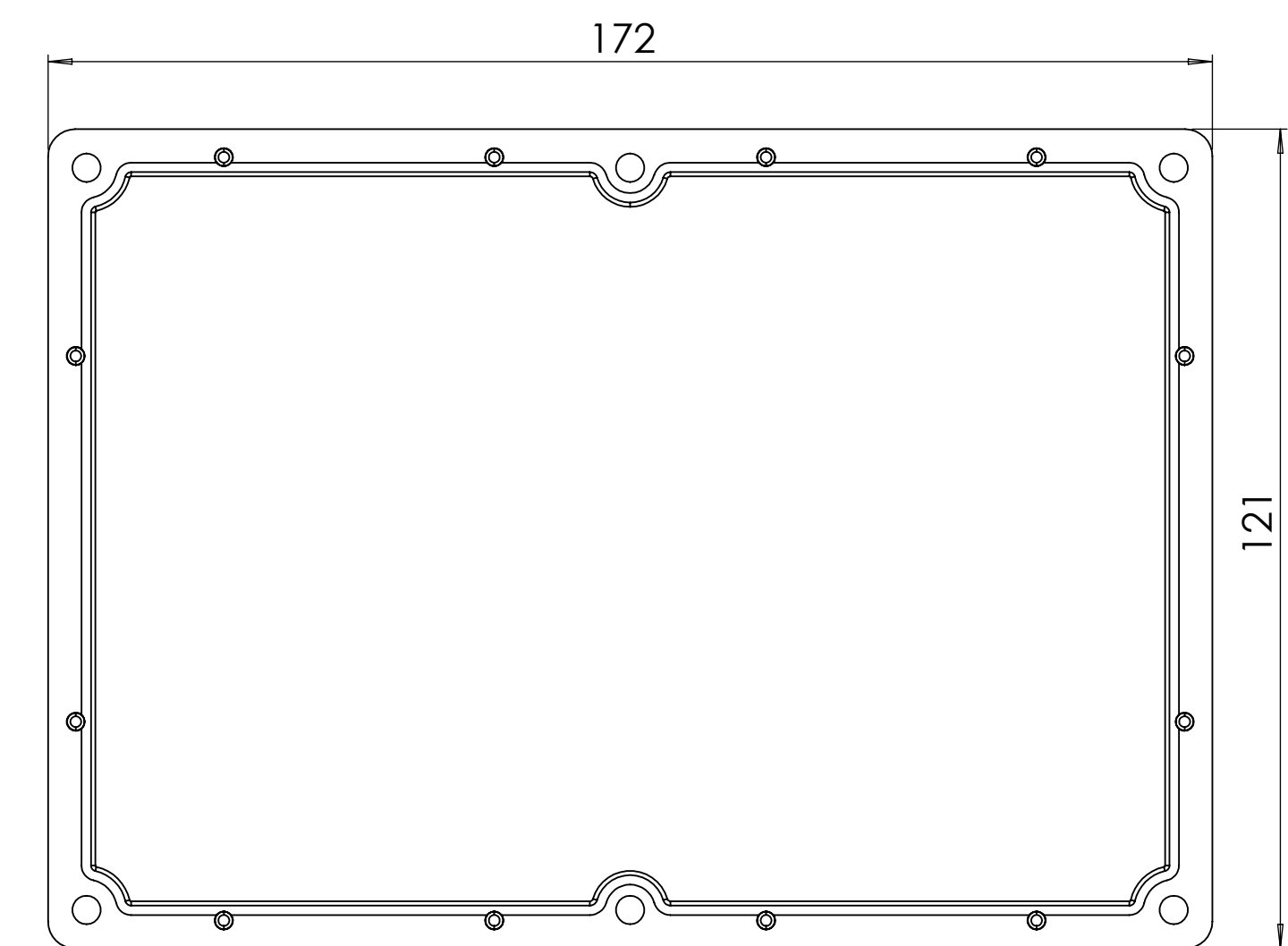
SURFACE-11




SURFACE-10



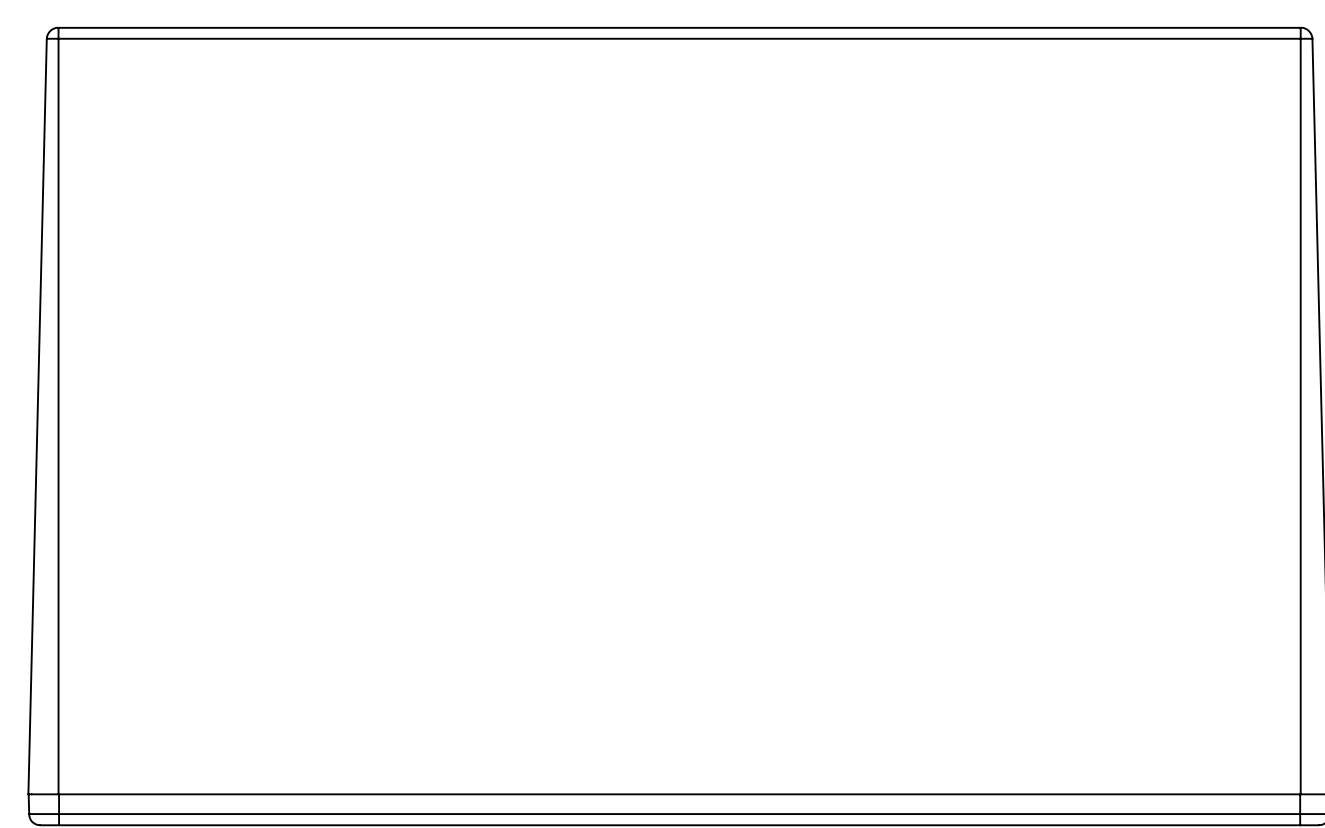
SURFACE-8



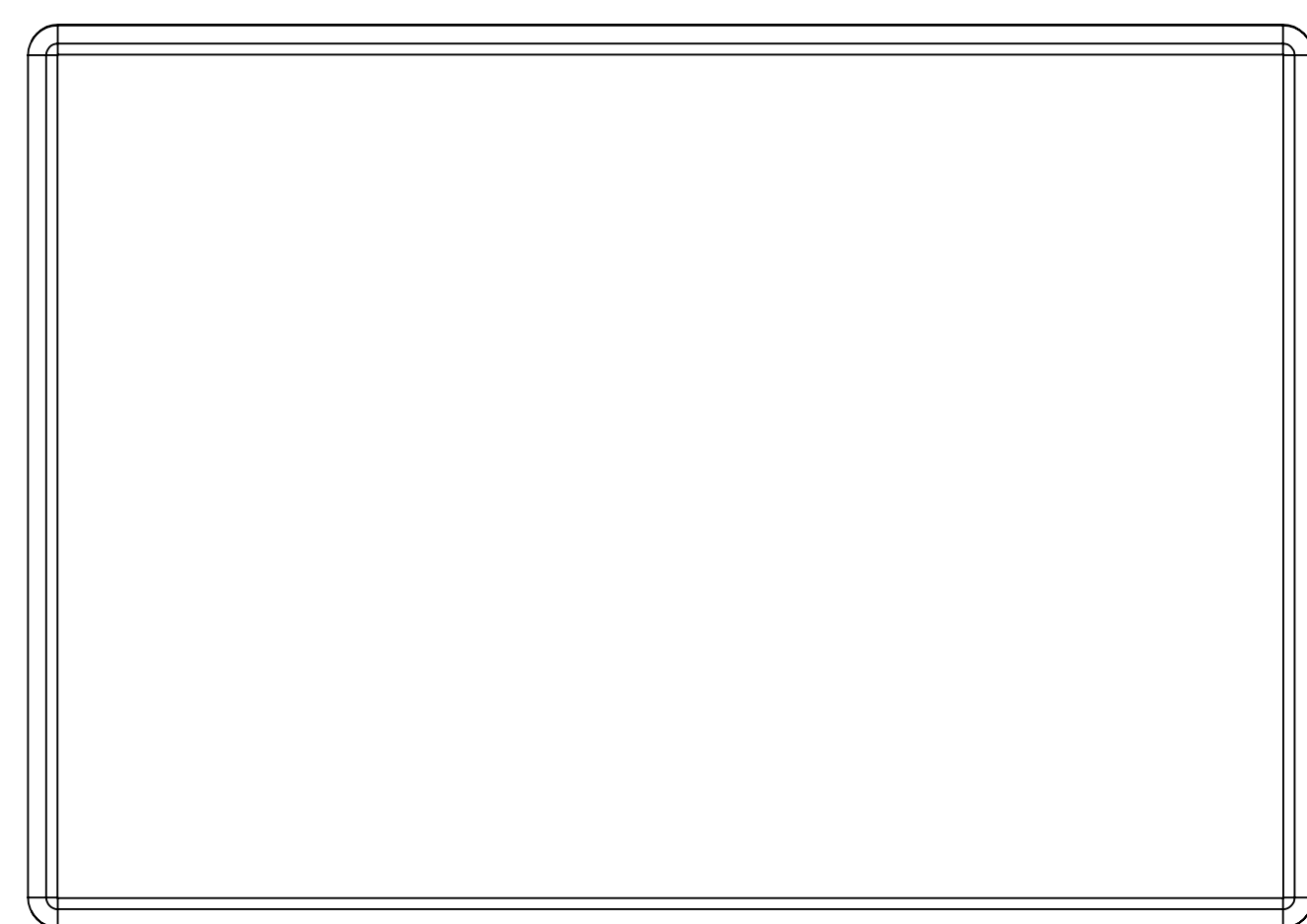
SURFACE-12 (INSIDE)

REV. NO	DATE	REVISED BY	DESCRIPTION OF CHANGE	
 <b>ALTINKAYA</b> Electronic Enclosures & Components			<a href="http://www.altinkaya.com">www.altinkaya.com</a>	
Customer Name:		Customer Ref.:		
Altinkaya Ref.:		Part Name: SE-410		
DRAWN	NAME	DATE	Drawn From:	SCALE 1:1
CHECKED	Y.YEL	18.11.2024	Material:	SHEET 1 OF 2
DIMENSIONAL TOLERANCES UNLESS OTHERWISE SPECIFIED (DIN7168)			Weight:	UNIT: mm
±0.1	±0.1	±0.2	±0.3	±0.5
0.5-3mm	3-6mm	6-30mm	30-120mm	120-400mm
Dimension (mm)				A0
m (Medium)				1

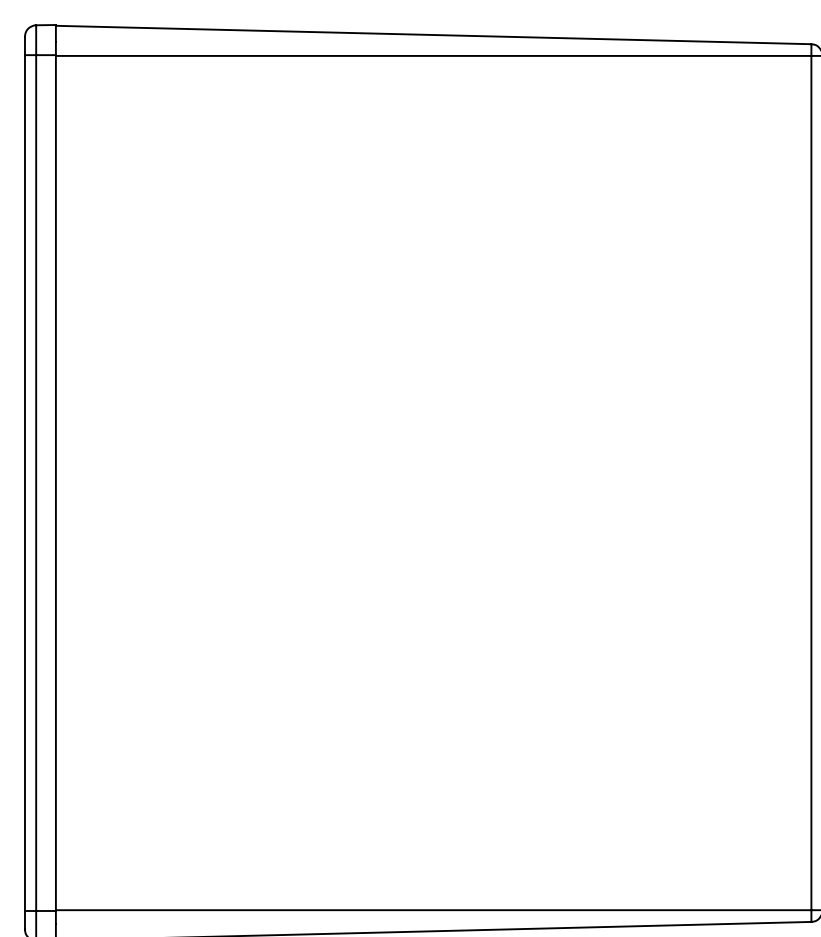
**SE-410 IF MACHINED TOGETHER**



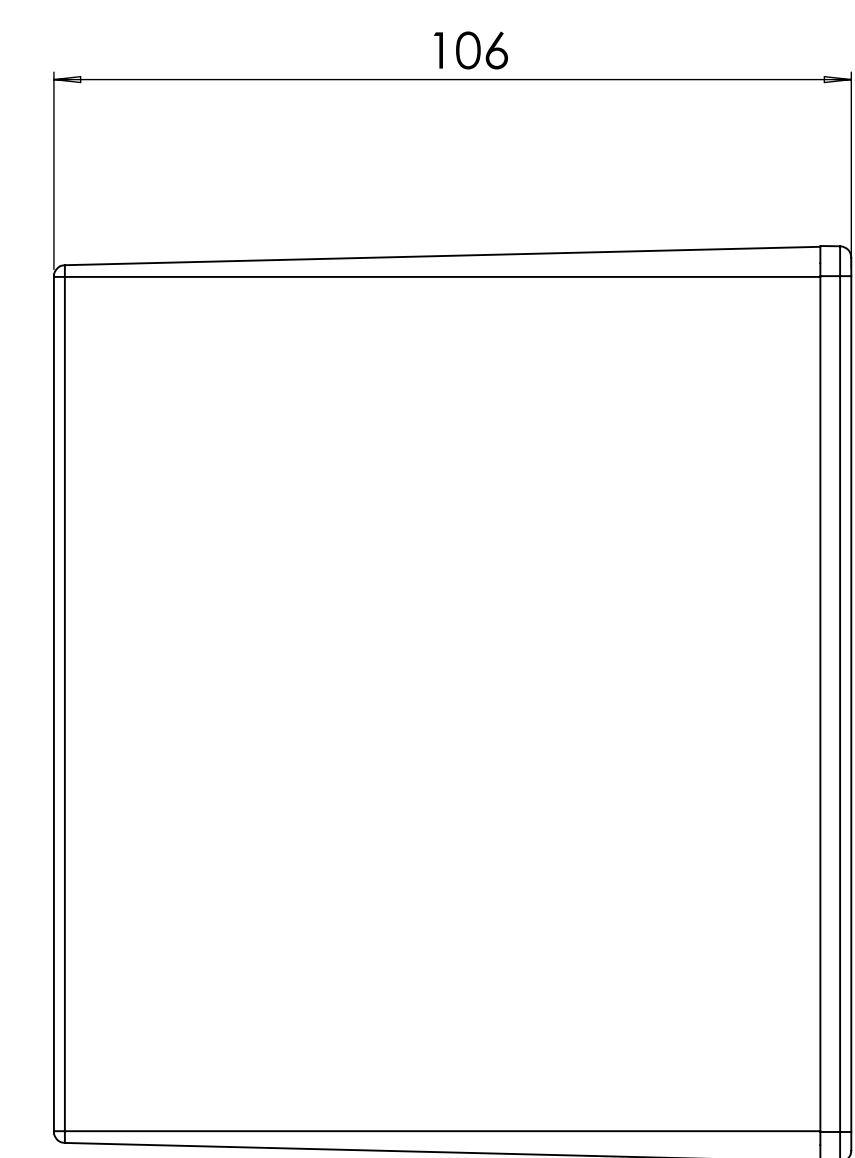
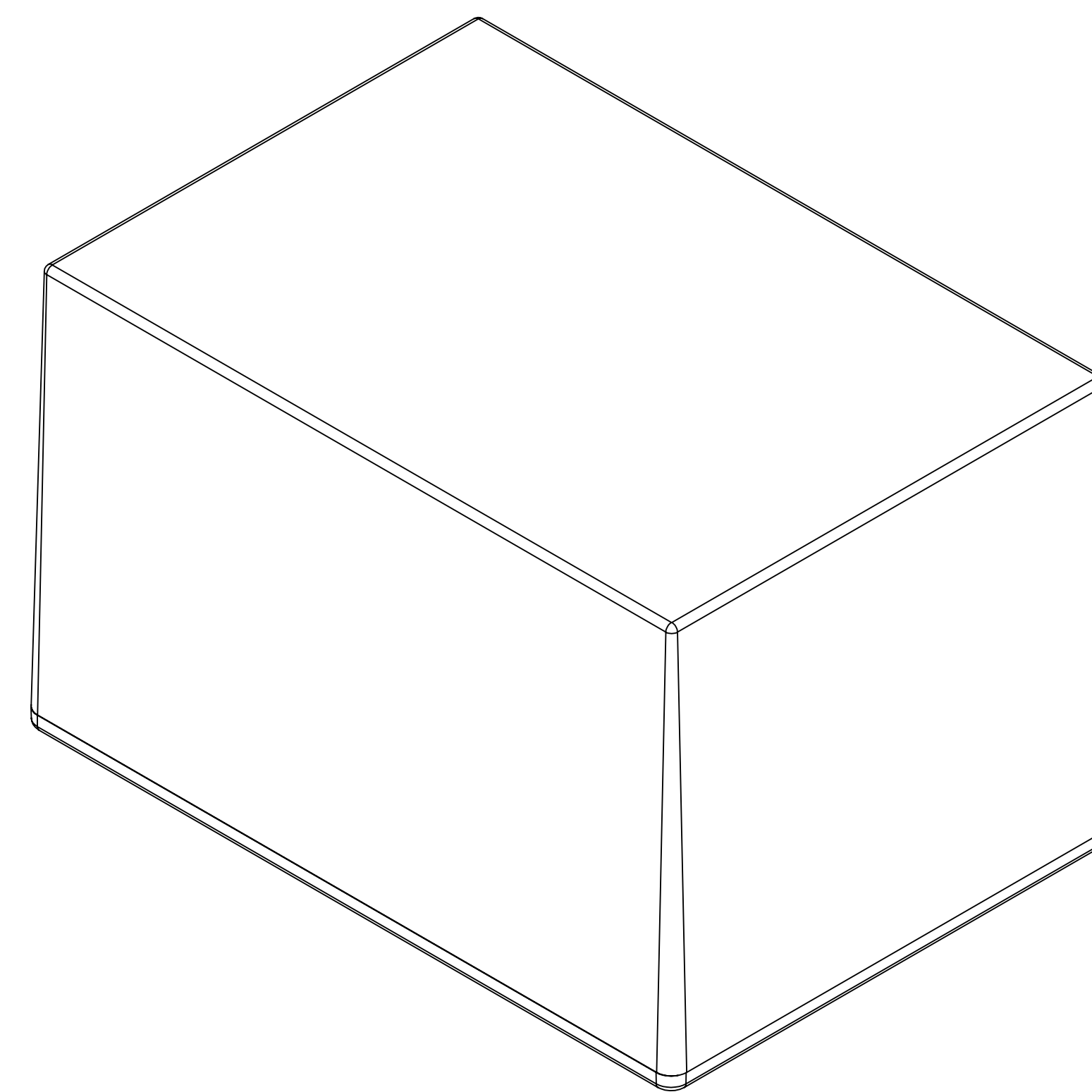
SURFACE-13



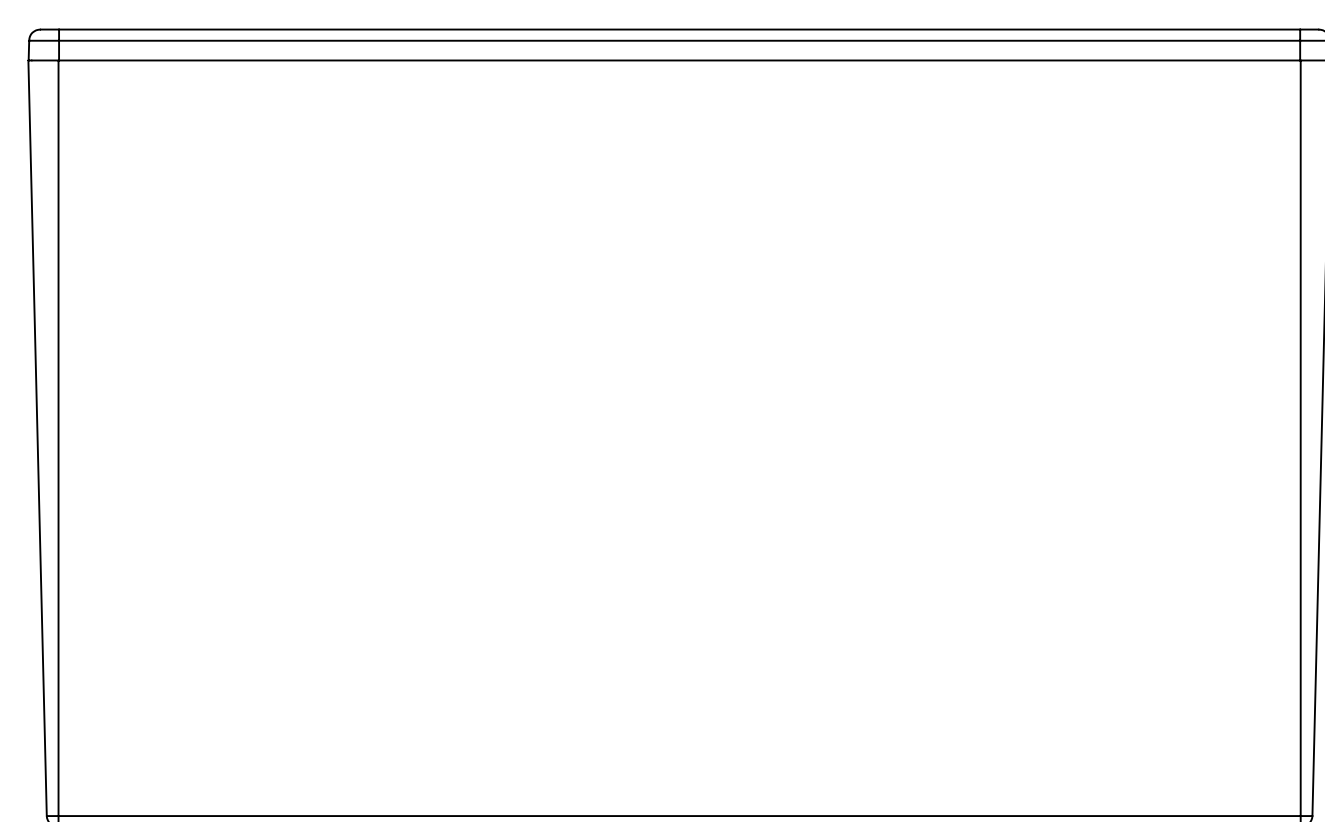
SURFACE-17



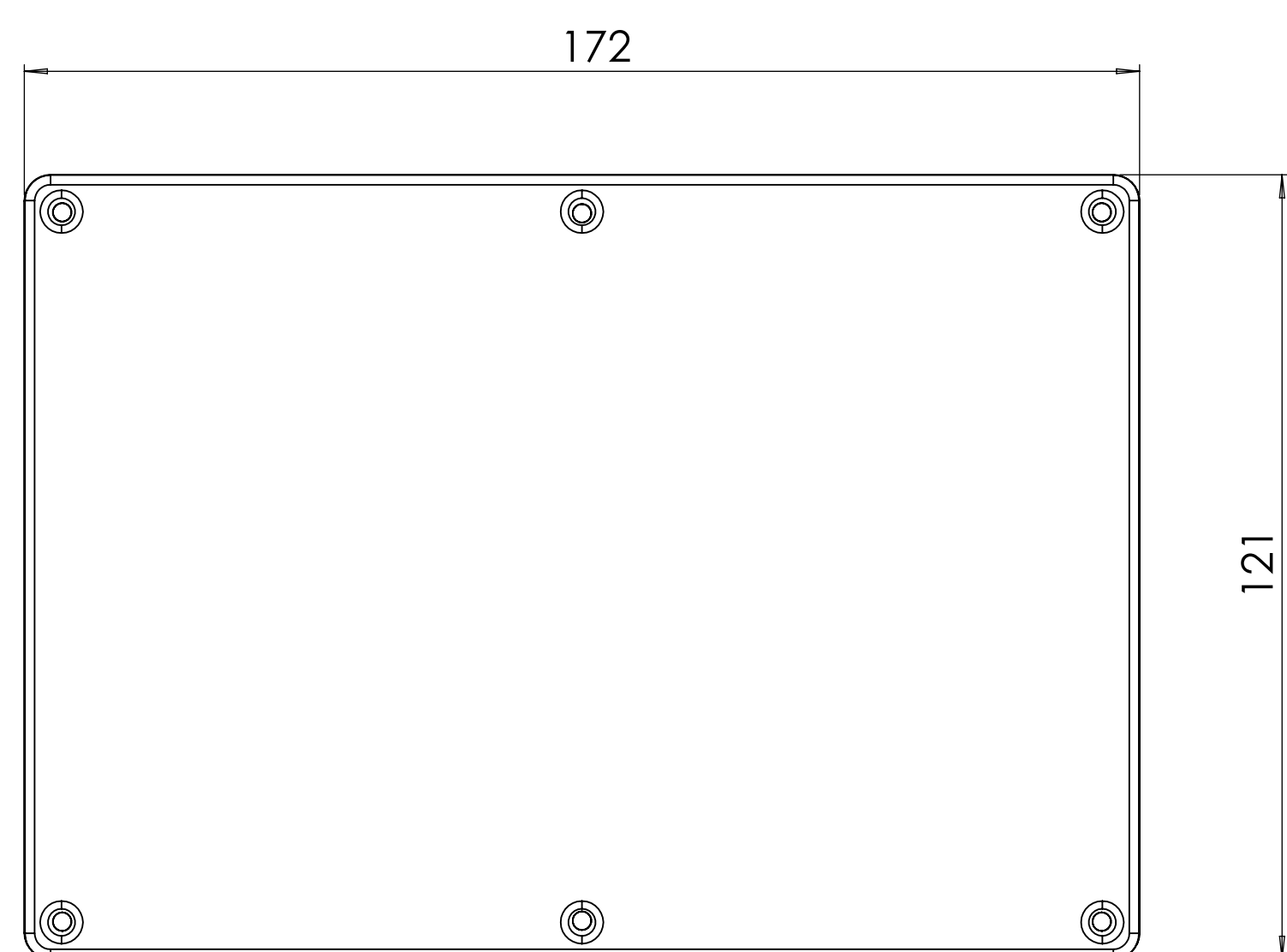
SURFACE-16



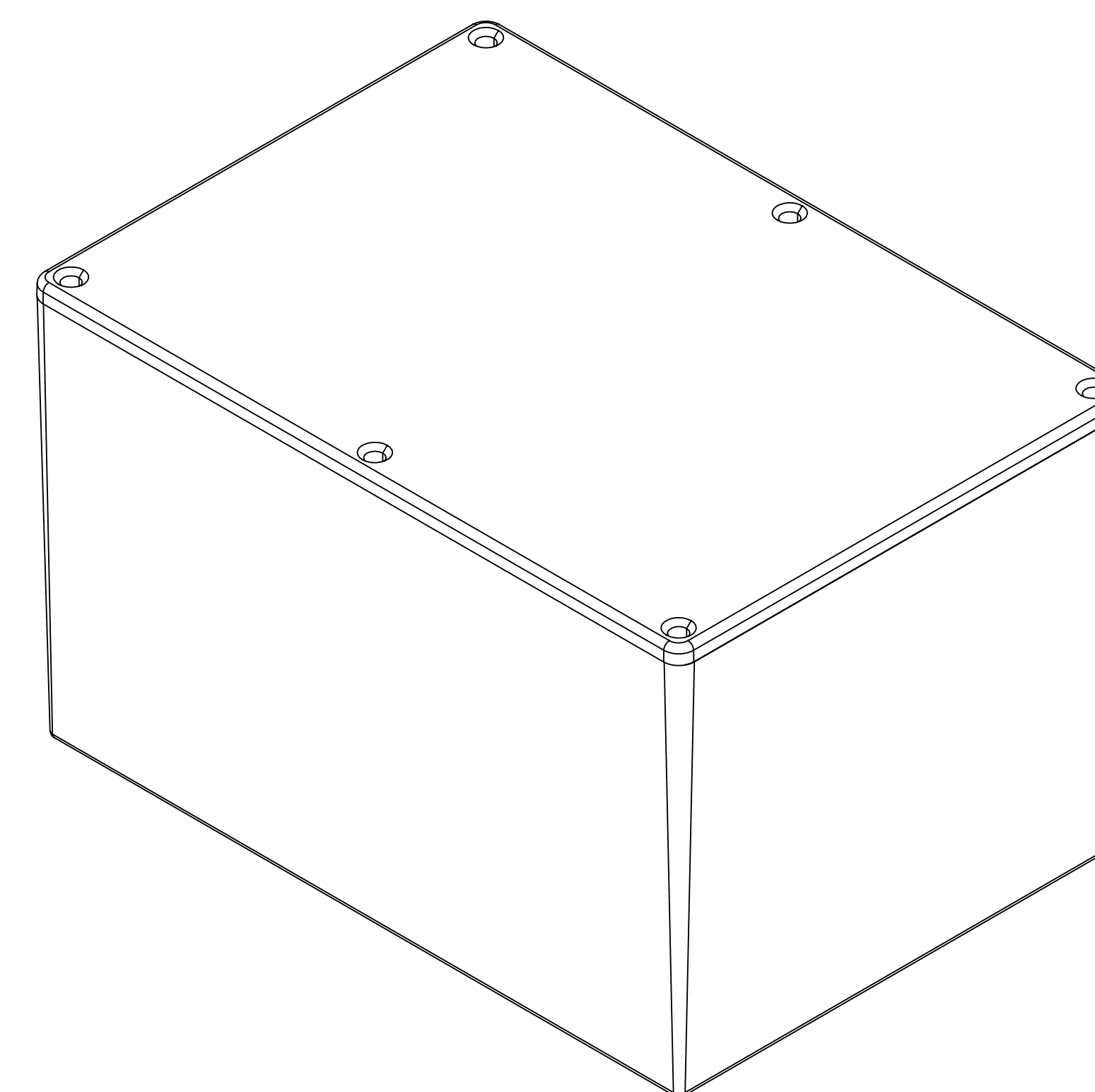
SURFACE-15




SURFACE-14



SURFACE-18



REV. NO	DATE	REVISED BY	DESCRIPTION OF CHANGE
 <b>ALTINKAYA</b> Electronic Enclosures & Components <span style="float: right;">www.altinkaya.com</span>			
Customer Name:		Customer Ref. :	
Altinkaya Ref. :		Part Name: SE-410	
DRAWN	NAME	DATE	Drawn From :
CHECKED	Y.YEL	18.11.2024	Material :
DIMENSIONAL TOLERANCES UNLESS OTHERWISE SPECIFIED (DIN7168)		0.5-3mm	3-6mm
		±0.1	±0.1
		6-30mm	±0.2
		30-120mm	±0.3
		120-400mm	±0.5
		Dimension (mm)	m (Medium)
		SCALE 1:1	SHEET 2 OF 2
		UNIT: mm	A0