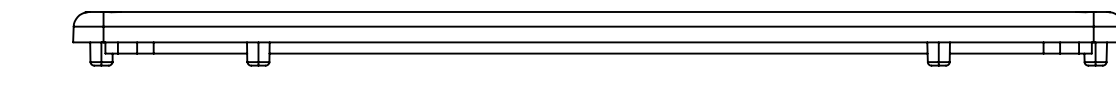


**BASE: 6 SURFACE**

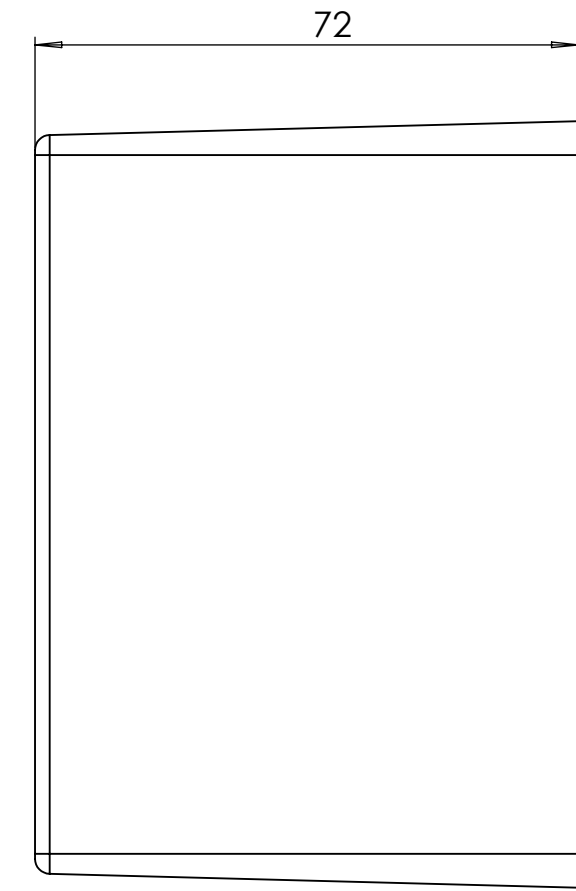
**COVER: 6 SURFACE**



SURFACE-1



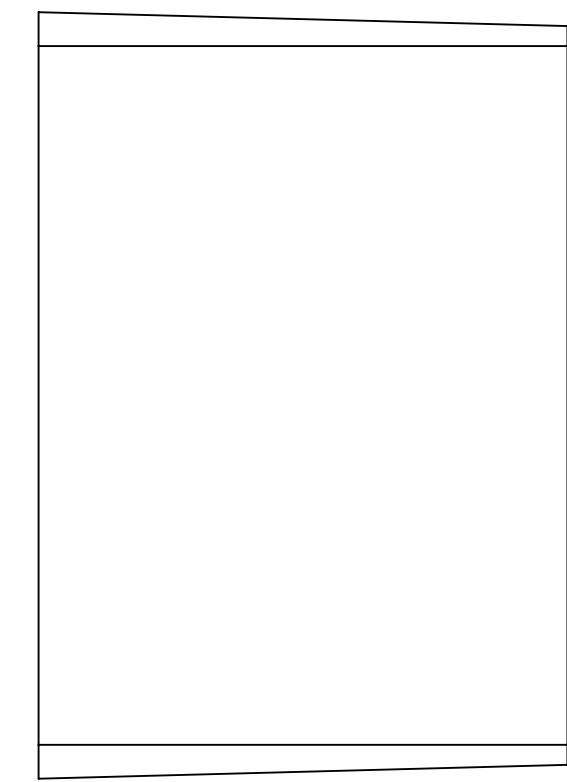
SURFACE-7



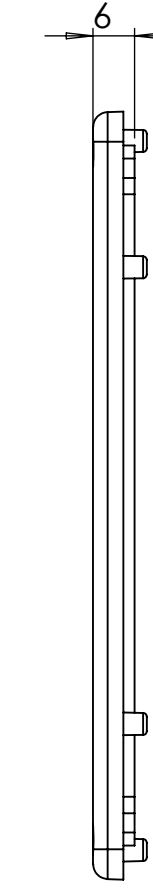
SURFACE-3



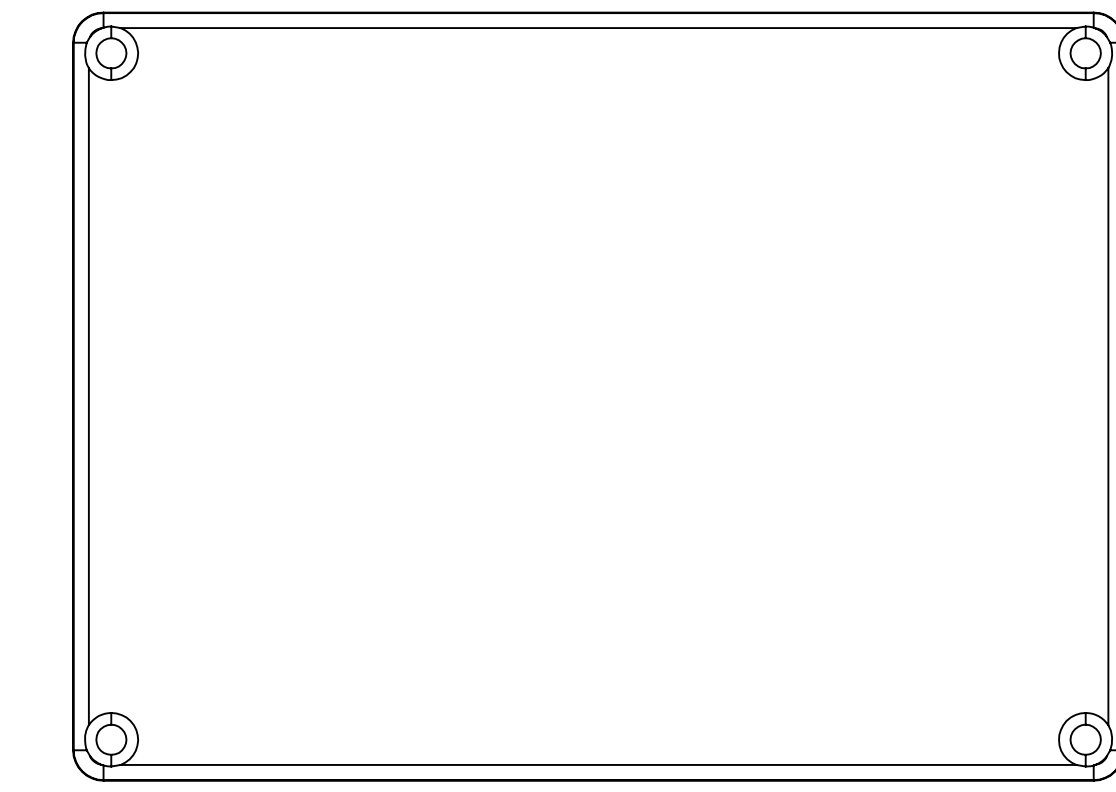
SURFACE-5



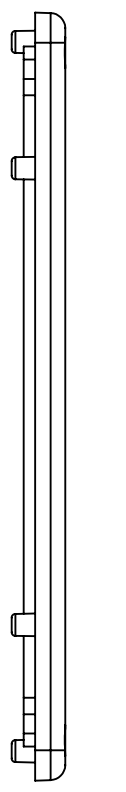
SURFACE-4



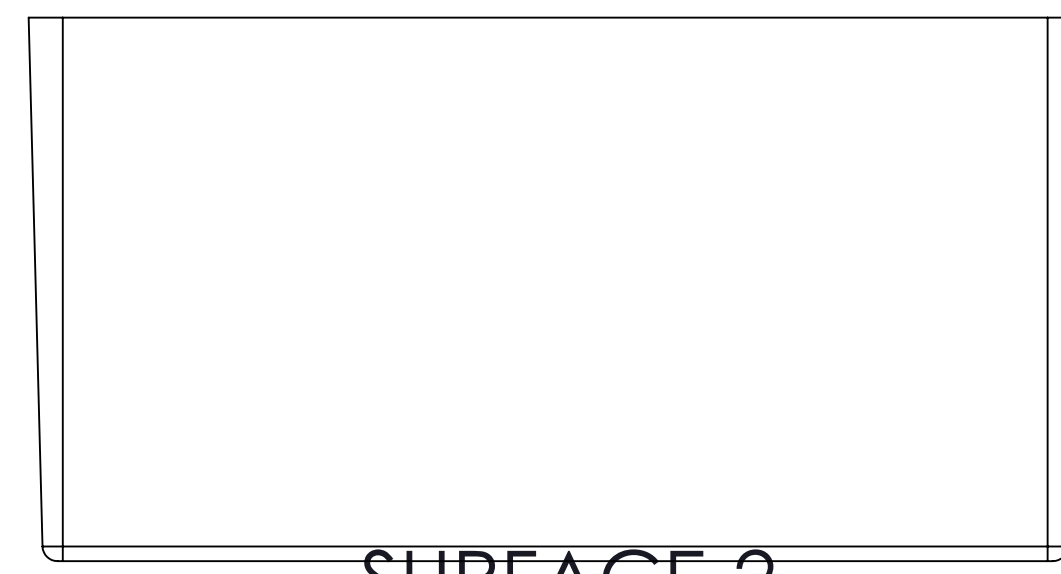
SURFACE-9



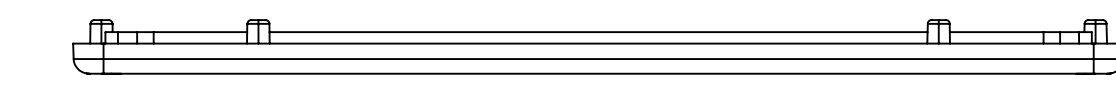
SURFACE-11



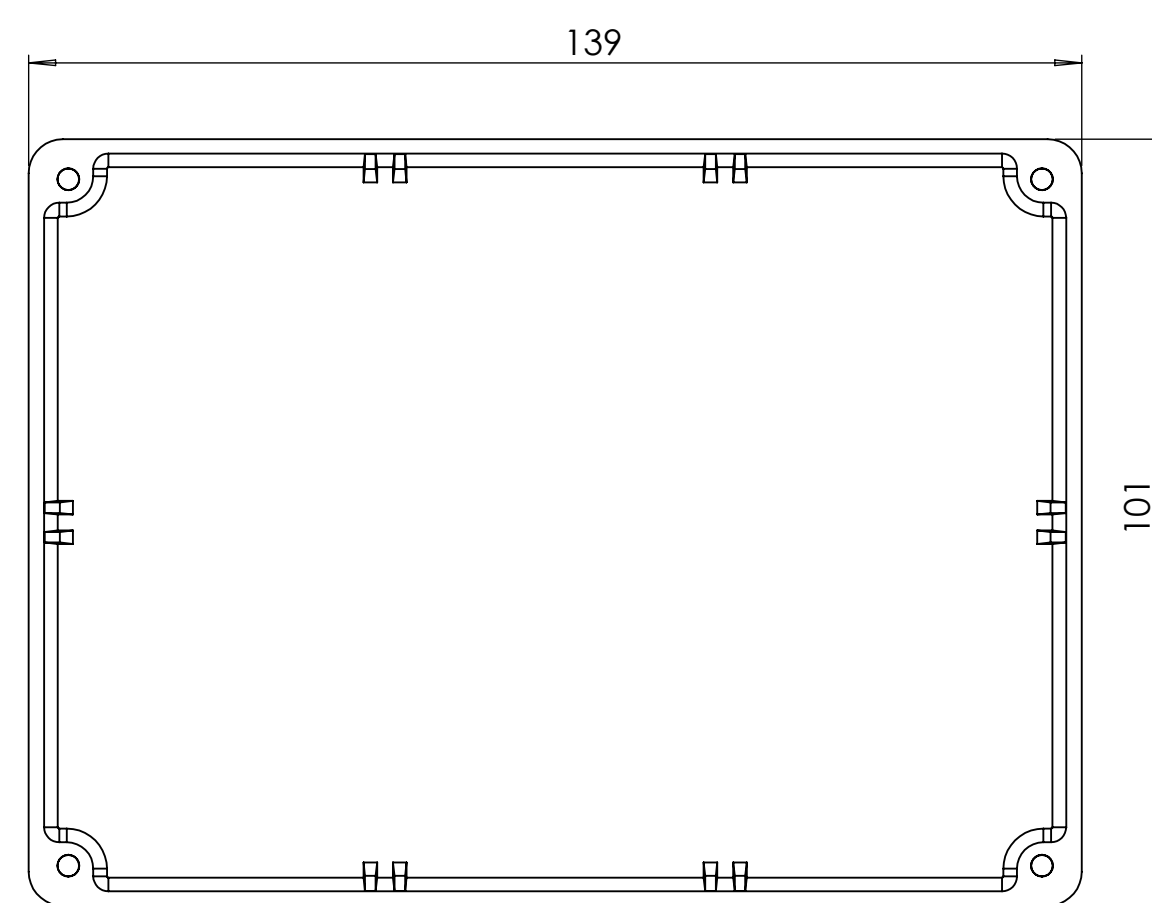
SURFACE-10



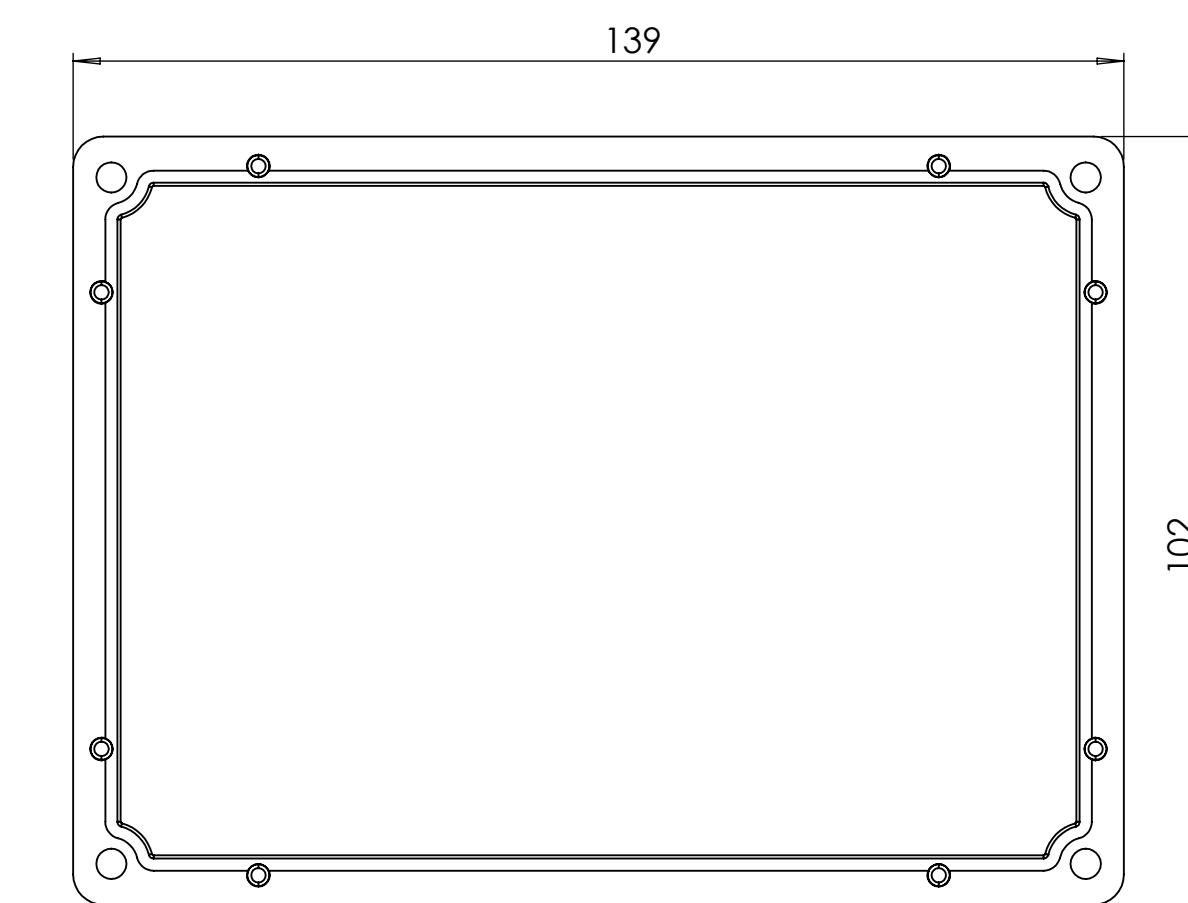
SURFACE-2



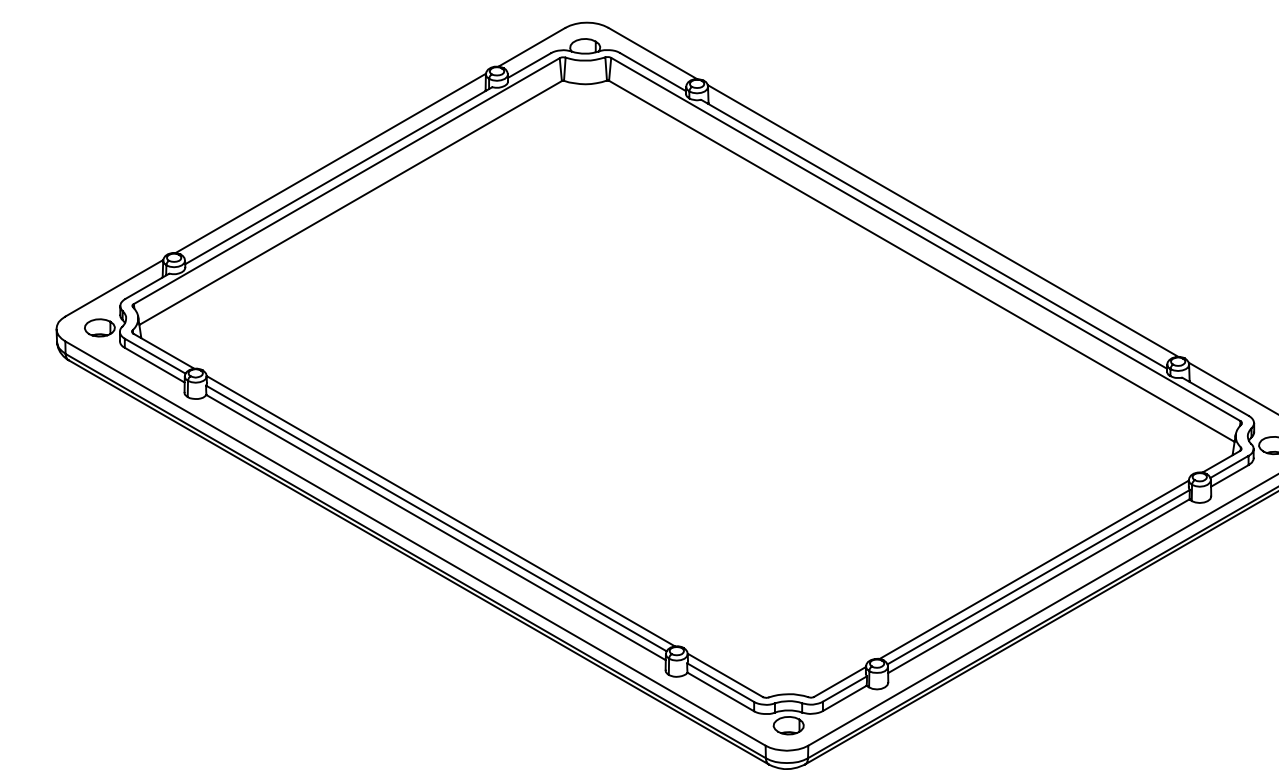
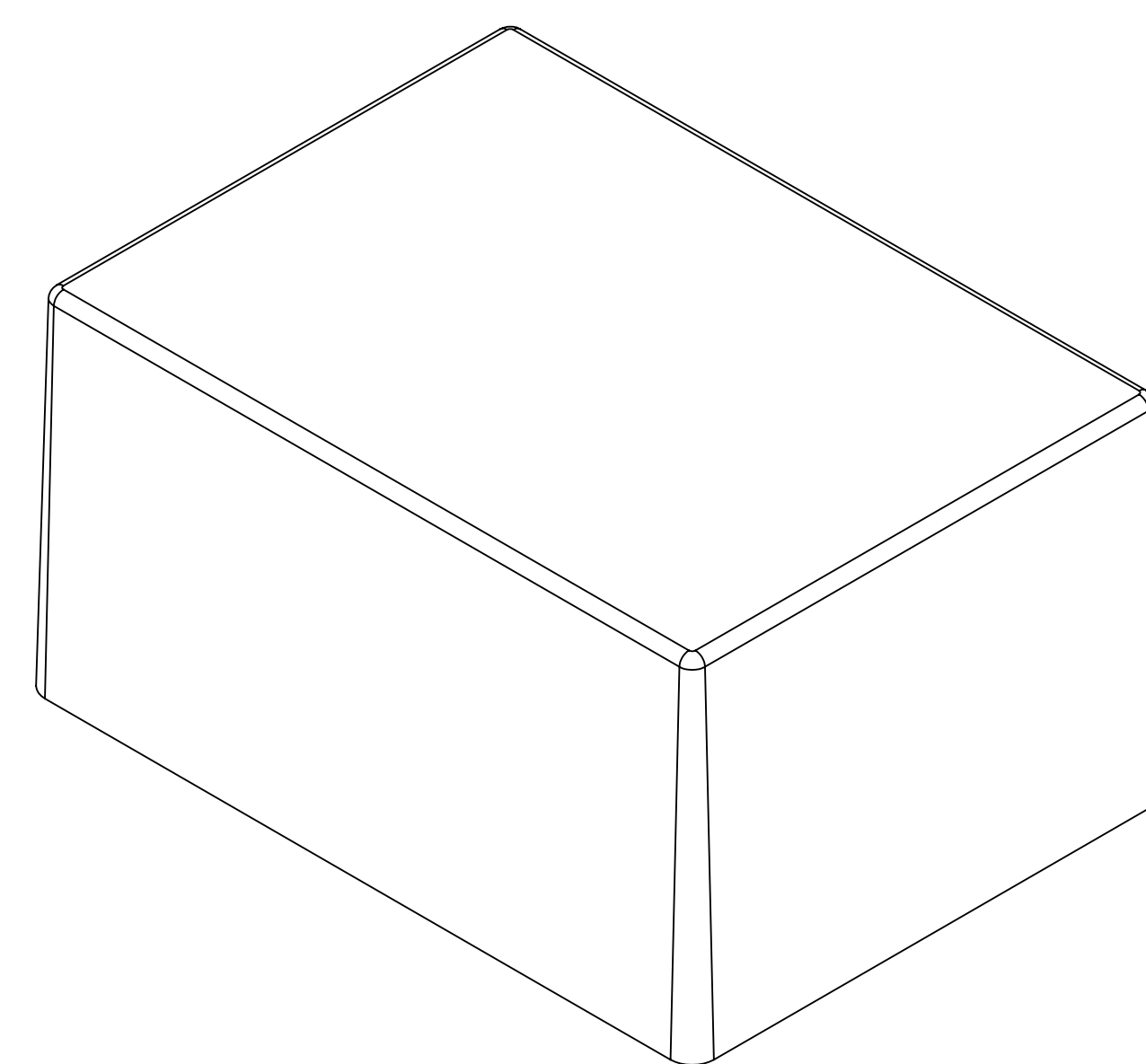
SURFACE-8




SURFACE-6 (INSIDE)

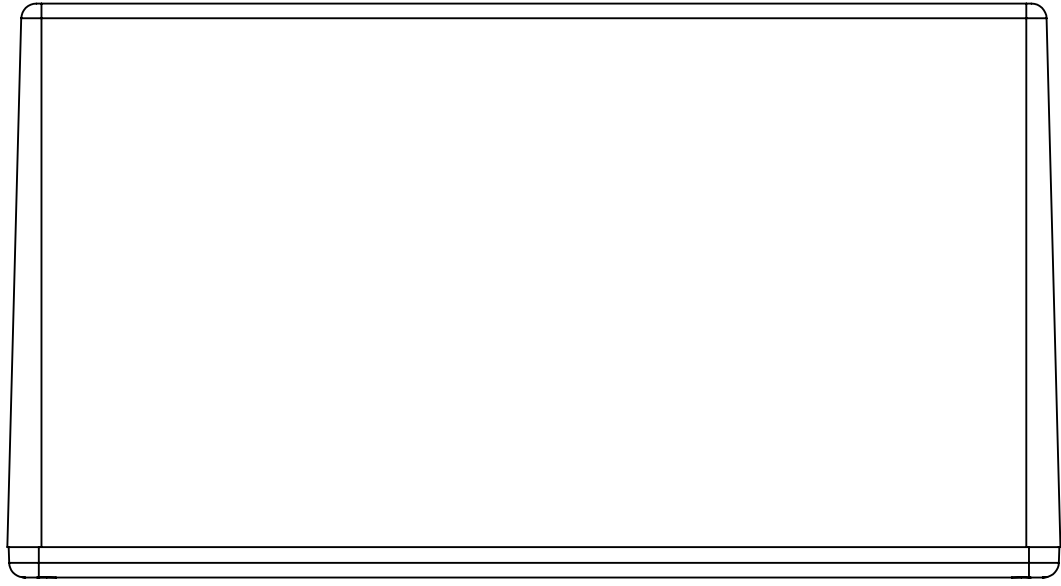


SURFACE-12 (INSIDE)

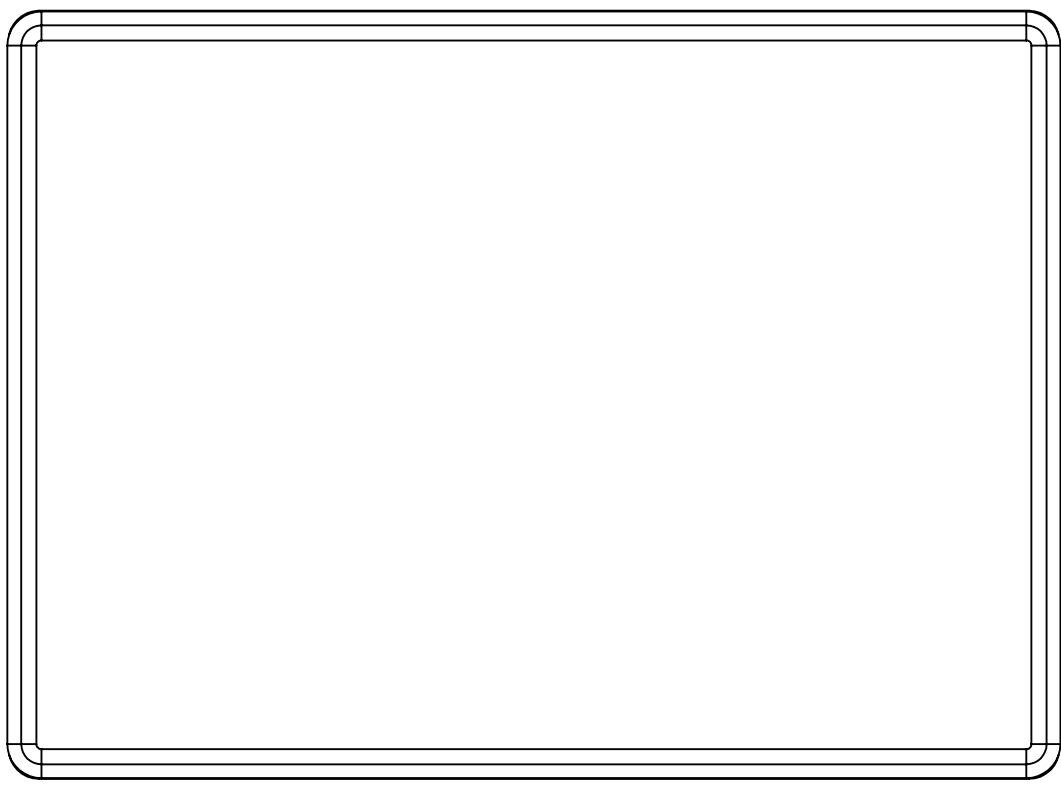


REV. NO	DATE	REVISED BY	DESCRIPTION OF CHANGE	
 <b>ALTINKAYA</b> Electronic Enclosures & Components			<a href="http://www.altinkaya.com">www.altinkaya.com</a>	
Customer Name:		Customer Ref. :		
Altinkaya Ref. :		Part Name: SE-408		
DRAWN	NAME	DATE	Drawn From :	SCALE 1:1
	S.YESILOZ	11.11.2024		SHEET 01 OF 2
CHECKED	Y.YEL	11.11.2024	Weight :	UNIT: mm
DIMENSIONAL TOLERANCES UNLESS OTHERWISE SPECIFIED (DIN7168)		0.5-3mm	3-6mm	6-30mm
		±0.1	±0.1	±0.2
			±0.3	±0.5
				m (Medium)

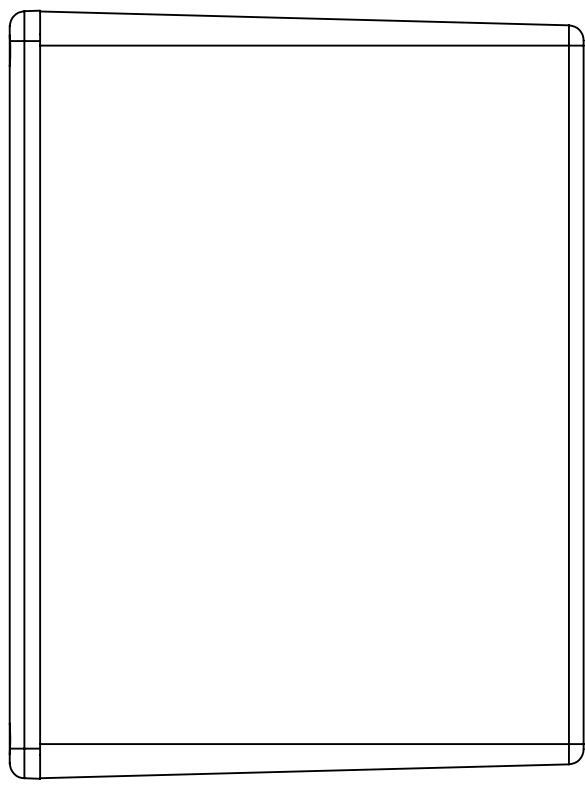
**SE-408 IF MACHINED TOGETHER**



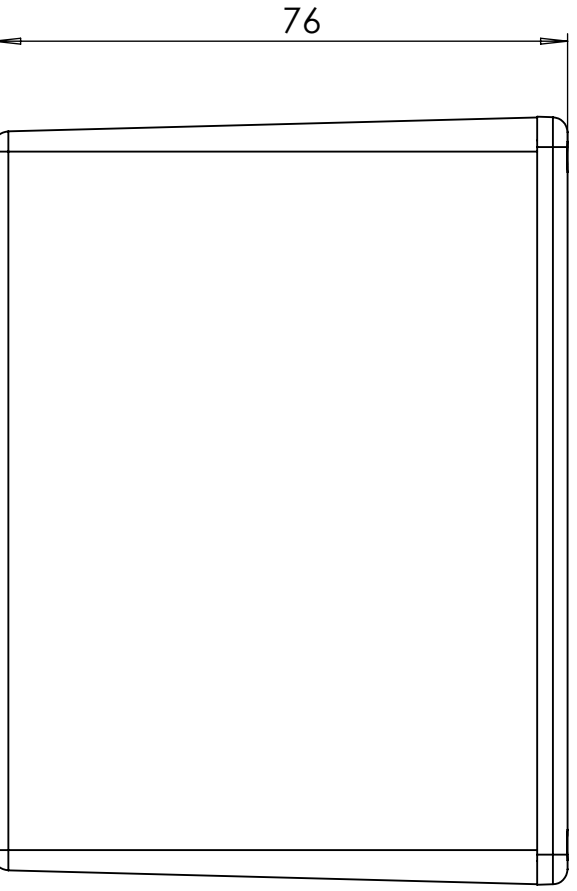
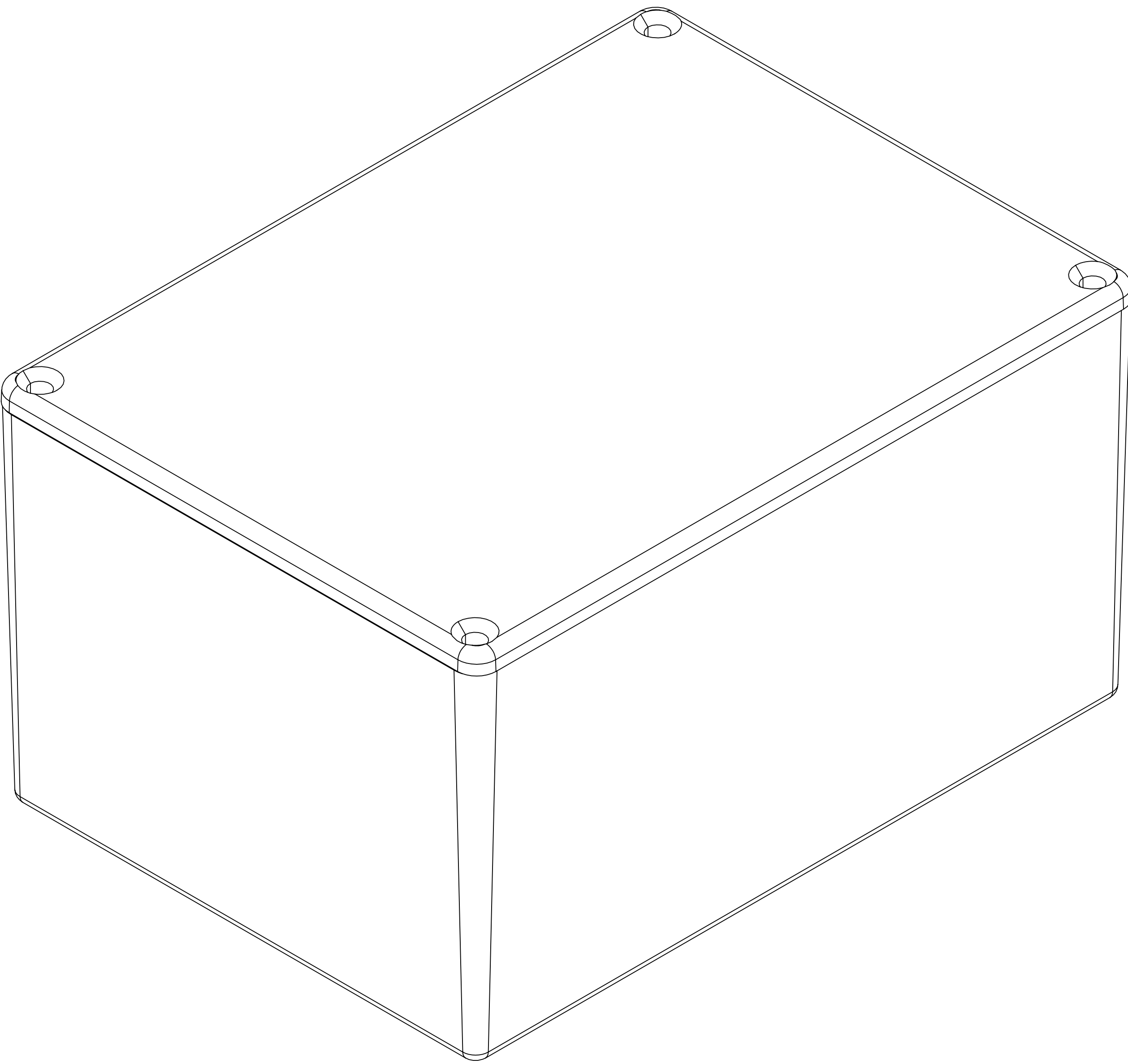
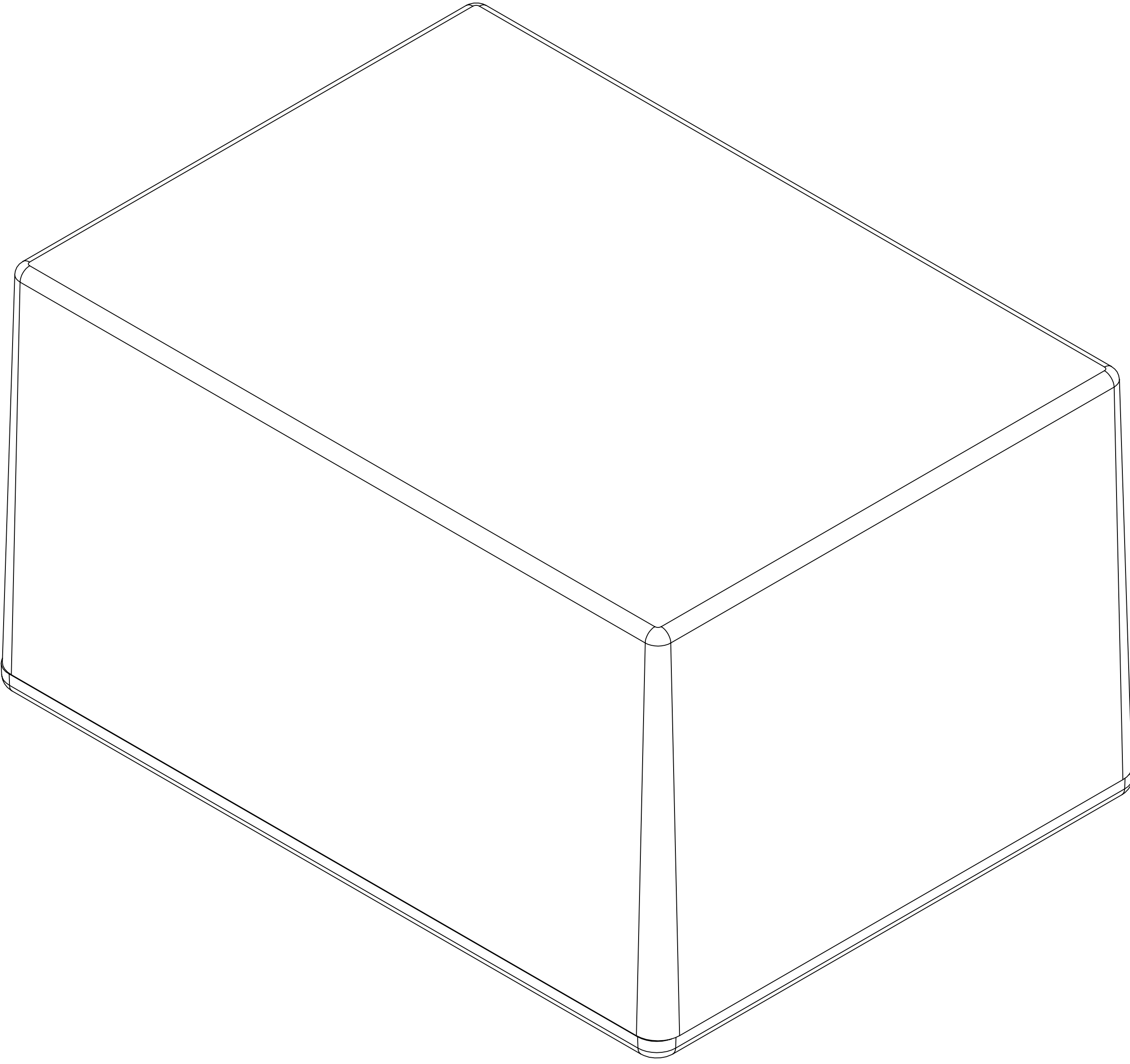
SURFACE-13



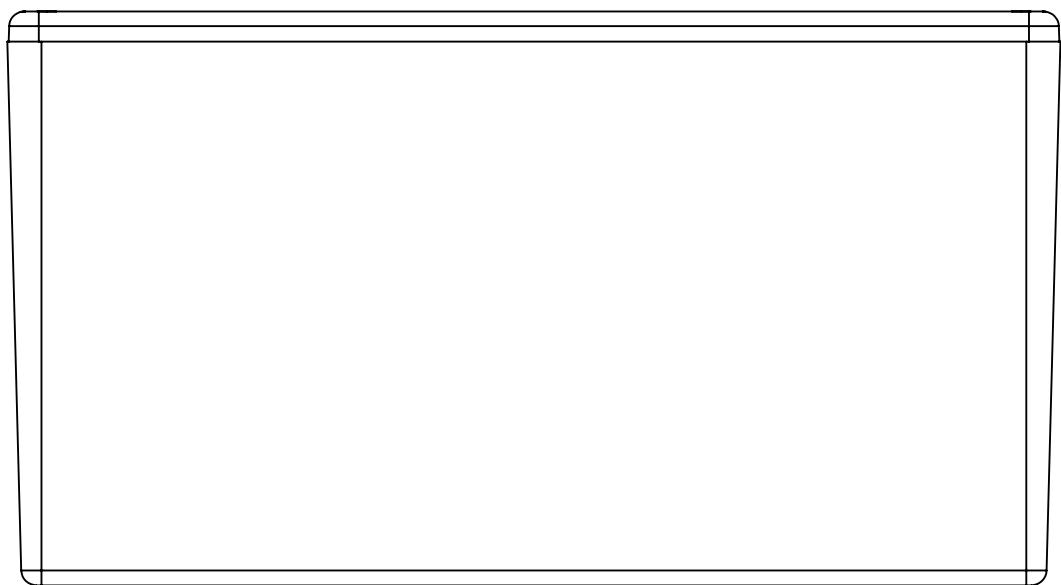
SURFACE-17



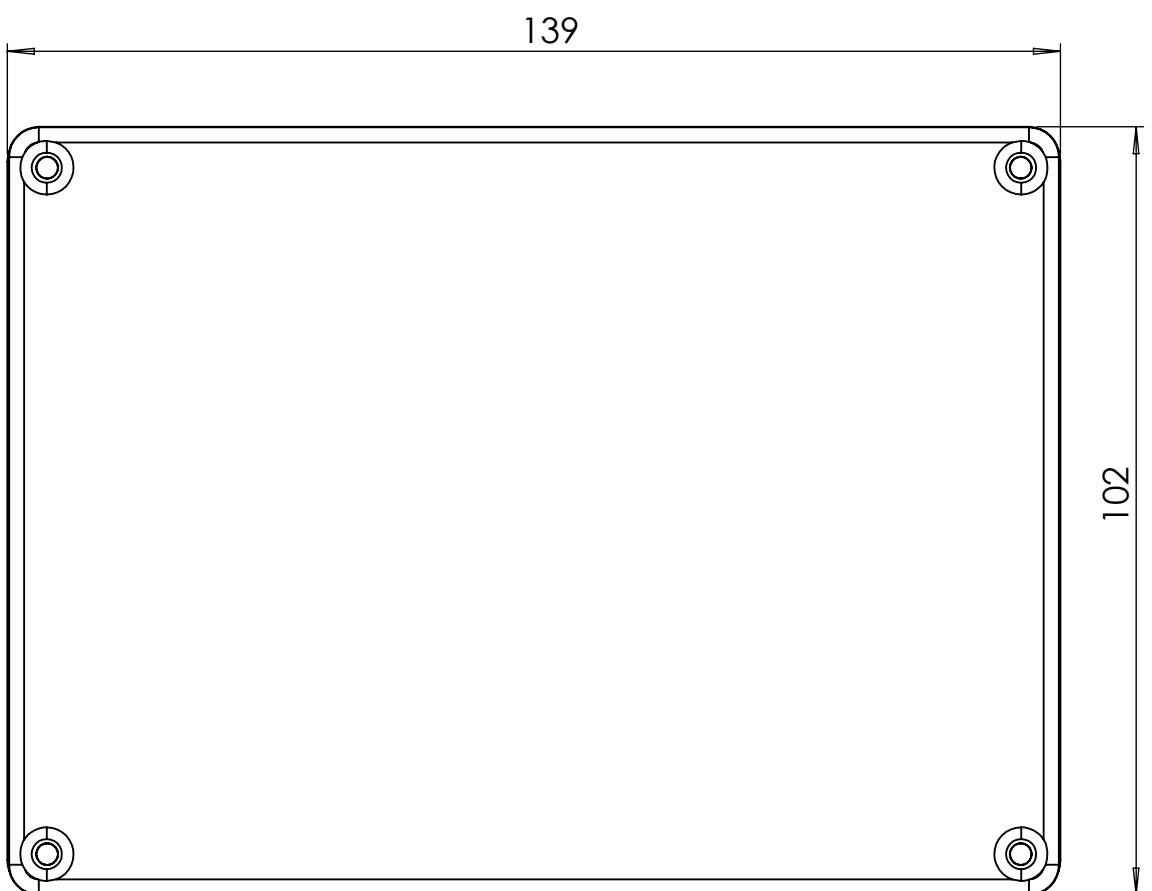
SURFACE-16




SURFACE-15



SURFACE-14



SURFACE-18

REV. NO	DATE	REVISED BY	DESCRIPTION OF CHANGE
 <b>ALTINKAYA</b> Electronic Enclosures & Components			
Customer Name:		Customer Ref. :	
Altinkaya Ref. :		Part Name: SE-408	
DRAWN	NAME	DATE	Drawn From :
CHECKED	Y.YEL	11.11.2024	Material :
DIMENSIONAL TOLERANCES UNLESS OTHERWISE SPECIFIED (DIN7168)			
0.5-3mm	3-6mm	6-30mm	30-120mm
±0.1	±0.1	±0.2	±0.3
			120-400mm
			±0.5
			m (Medium)
			SCALE 1:1
			SHEET 2 OF 2
			UNIT: mm
			A0

www.altinkaya.com