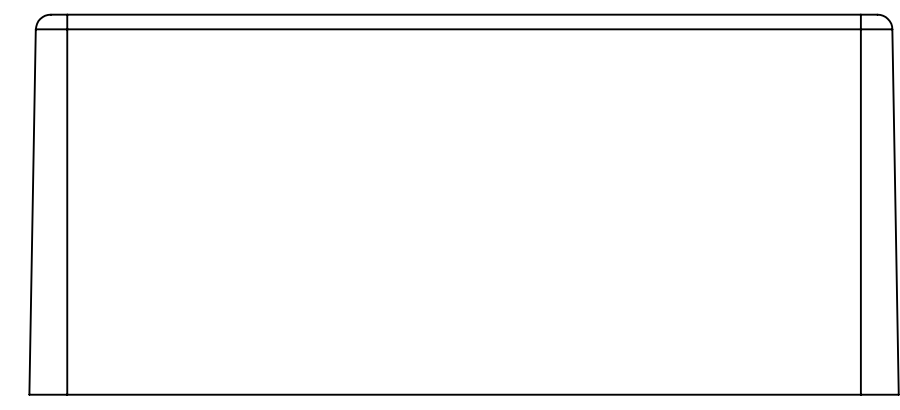
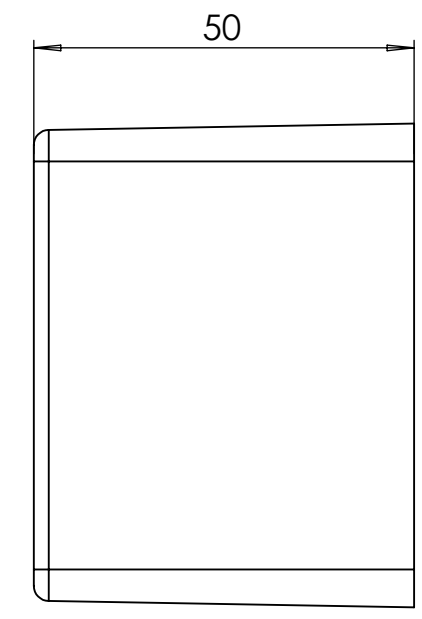


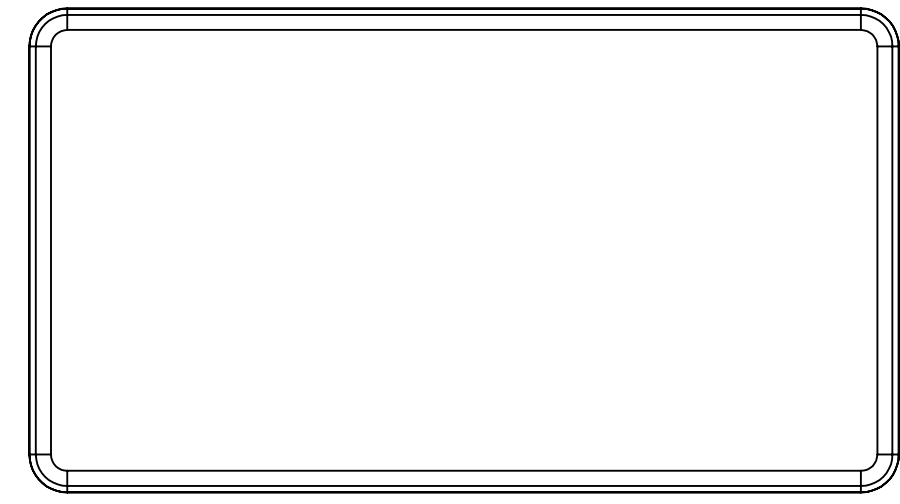
**BASE: 6 SURFACE**



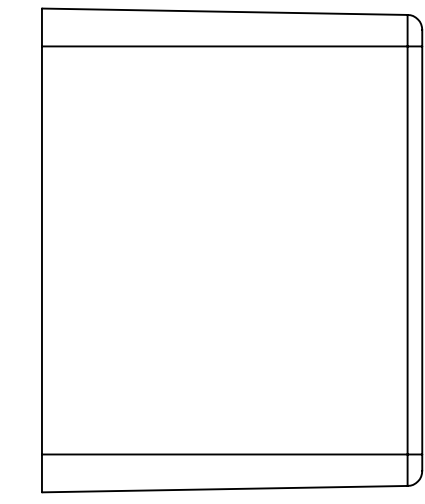
SURFACE-1



SURFACE-3



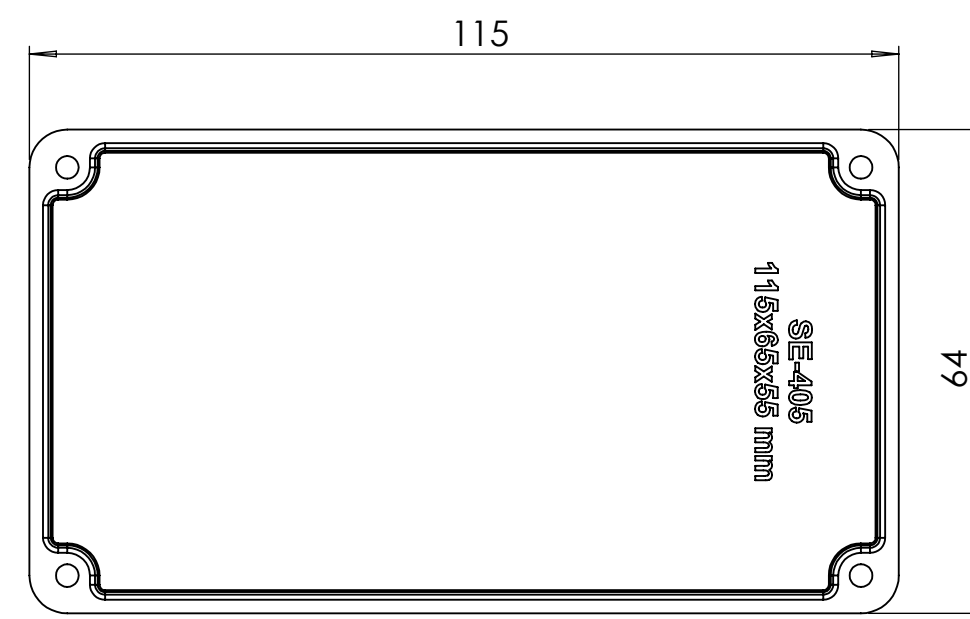
SURFACE-5



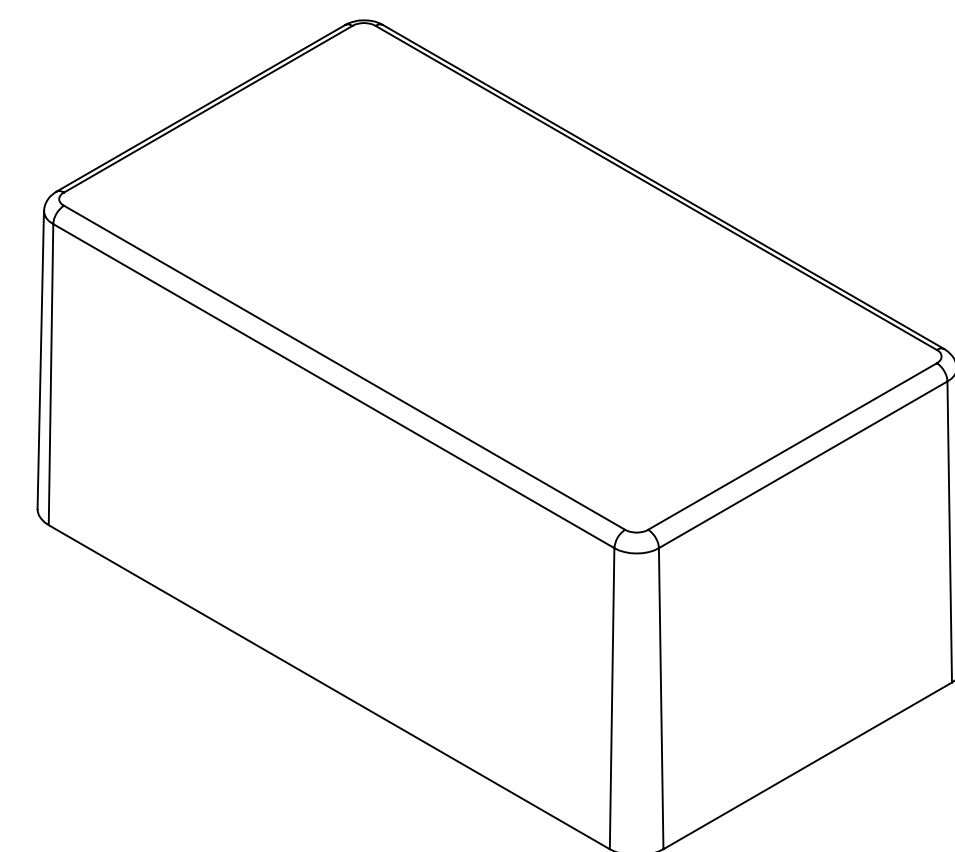
SURFACE-4



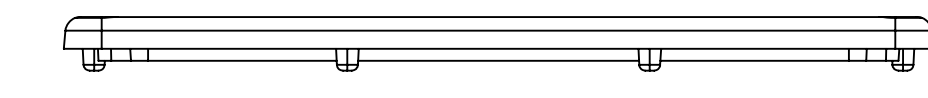
SURFACE-2



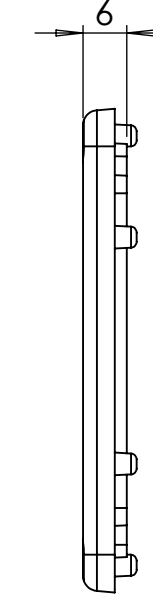
SURFACE-6 (INSIDE)



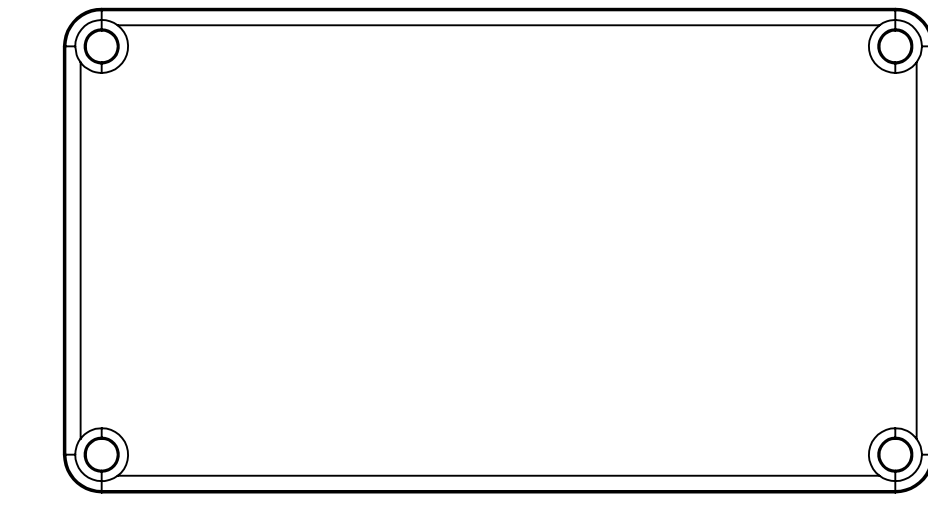
**COVER: 6 SURFACE**



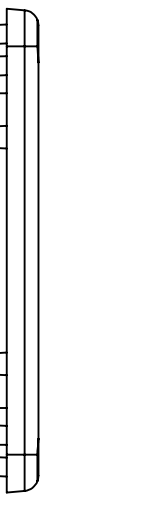
SURFACE-7



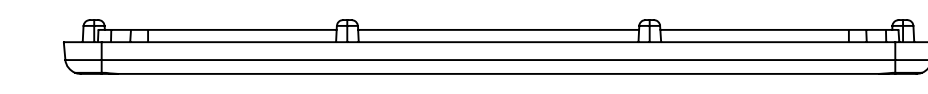
SURFACE-9



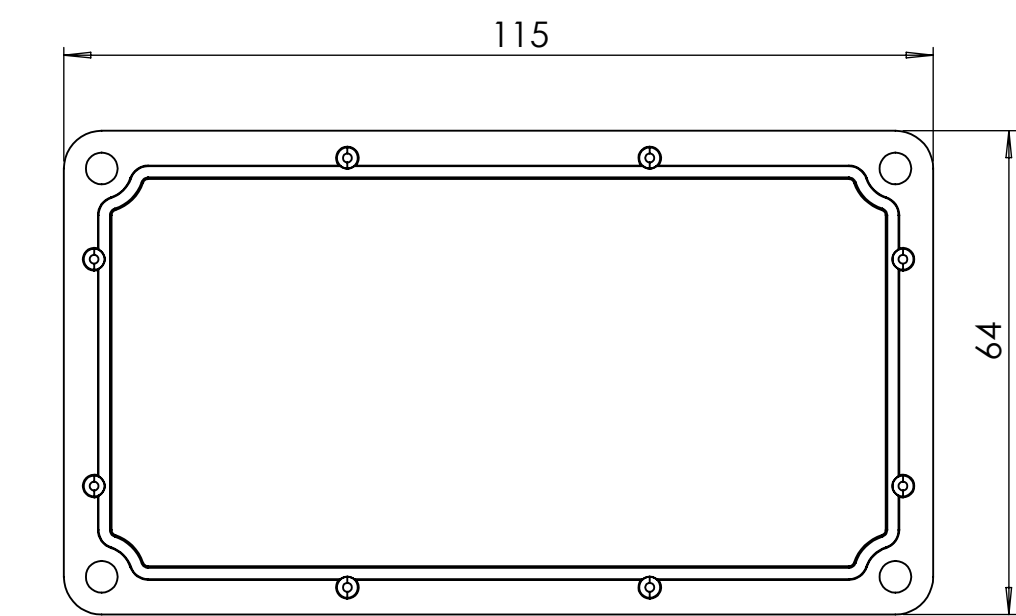
SURFACE-11



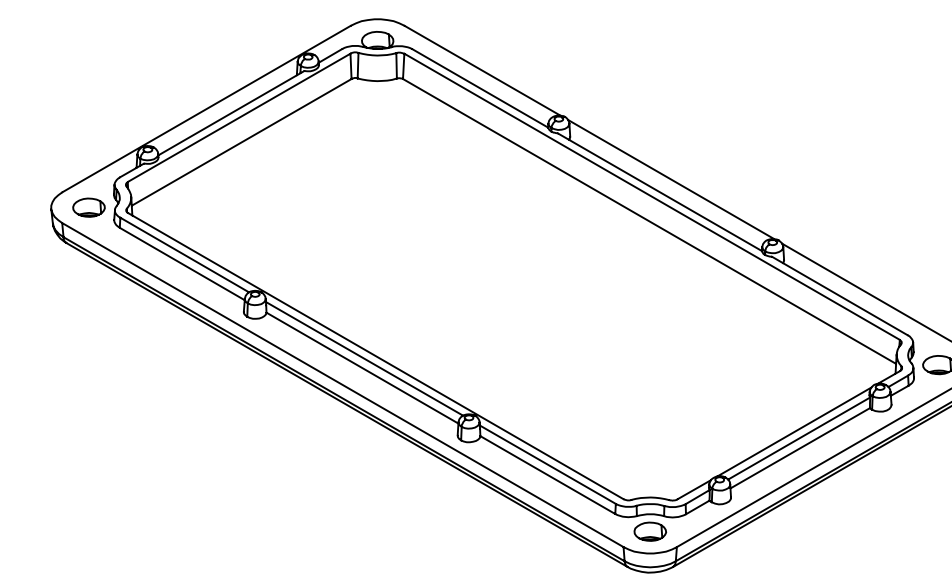
SURFACE-10




SURFACE-8

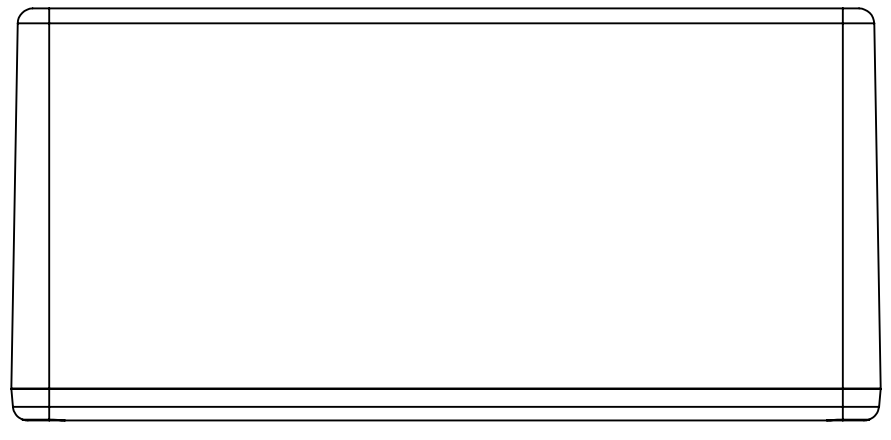


SURFACE-12 (INSIDE)

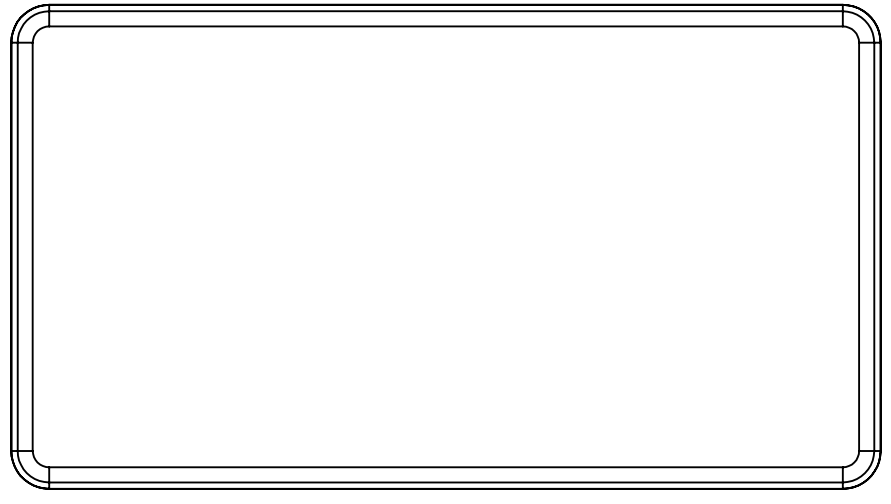


REV. NO	DATE	REVISED BY	DESCRIPTION OF CHANGE					
 <b>ALTINKAYA</b> Electronic Enclosures & Components			<a href="http://www.altinkaya.com">www.altinkaya.com</a>					
Customer Name:		Customer Ref.:						
Altinkaya Ref.:		Part Name: SE-40S						
NAME	DATE	Drawn From:		SCALE 1:1				
DRAWN	S.YESILOZ	11.11.2024	Material:	SHEET 1 OF 2				
CHECKED	Y.YEL	11.11.2024	Weight:	UNIT: mm				
DIMENSIONAL TOLERANCES UNLESS OTHERWISE SPECIFIED (DIN7168)		0.5-3mm	3-6mm	6-30mm	30-120mm	120-400mm	Dimension (mm)	A0
		±0.1	±0.1	±0.2	±0.3	±0.5	m (Medium)	1

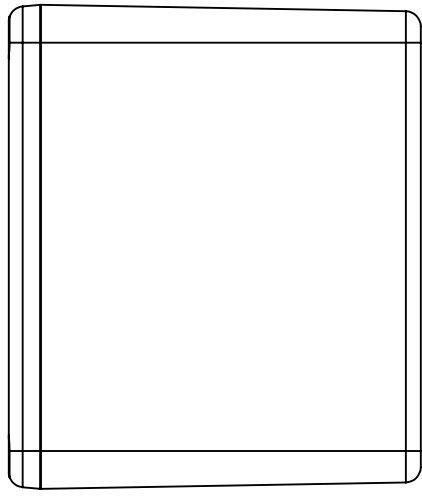
**SE-405 IF MACHINED TOGETHER**



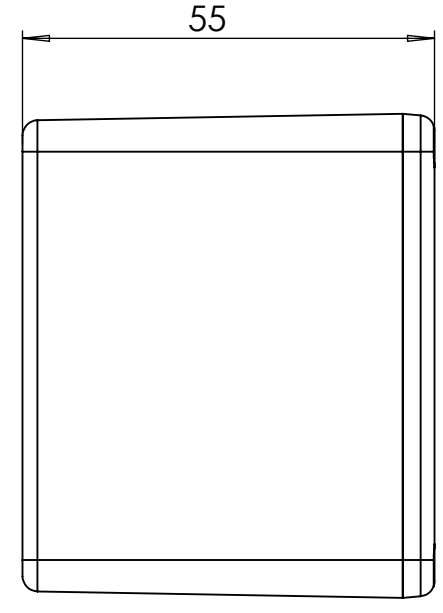
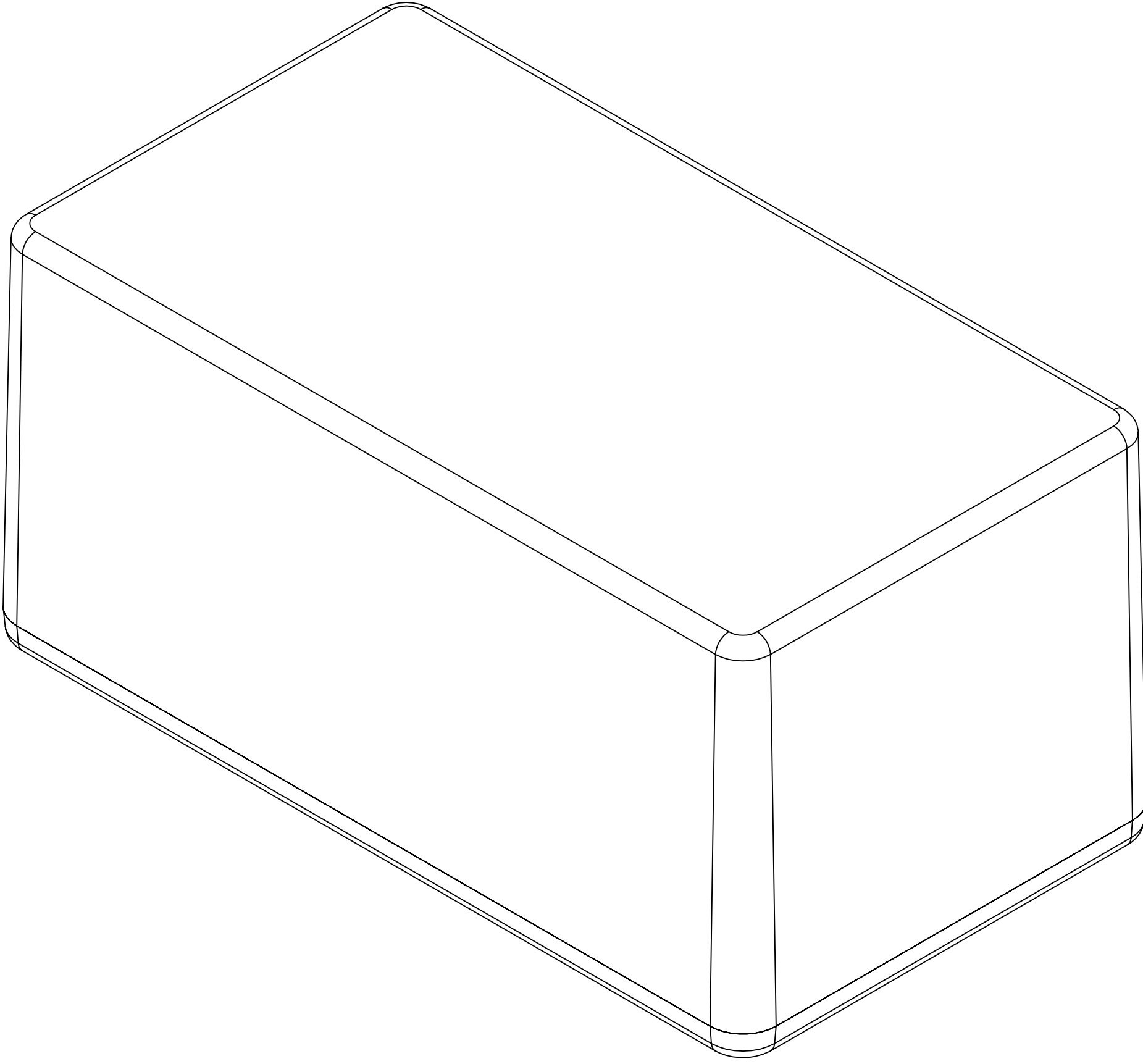
SURFACE-13



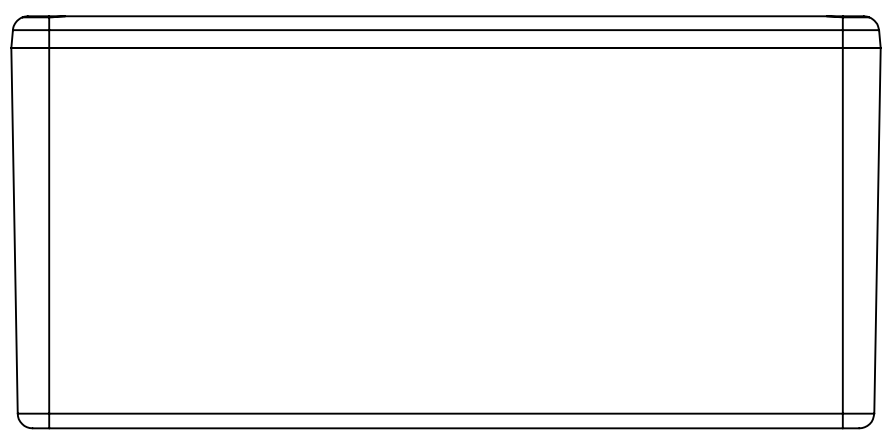
SURFACE-17



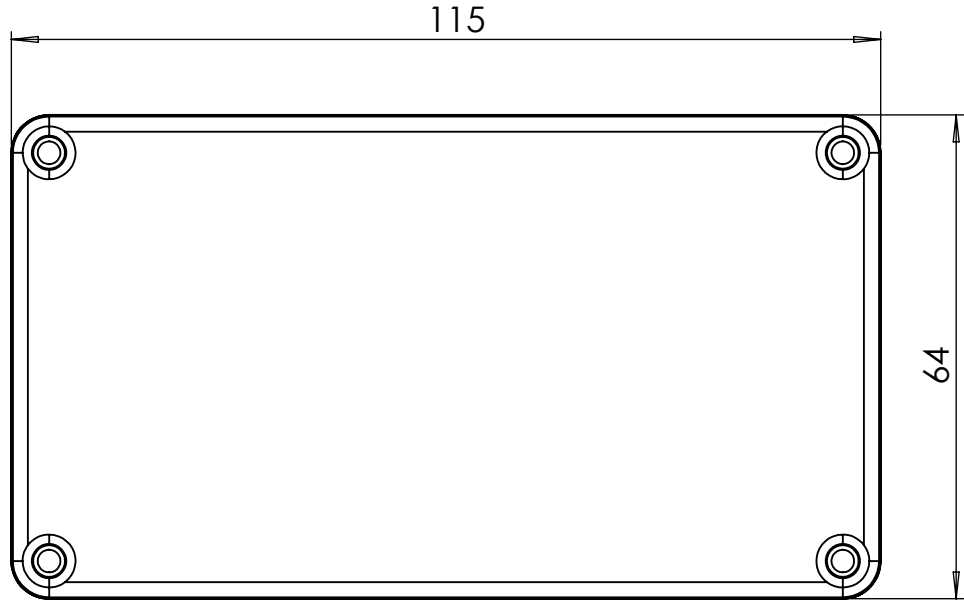
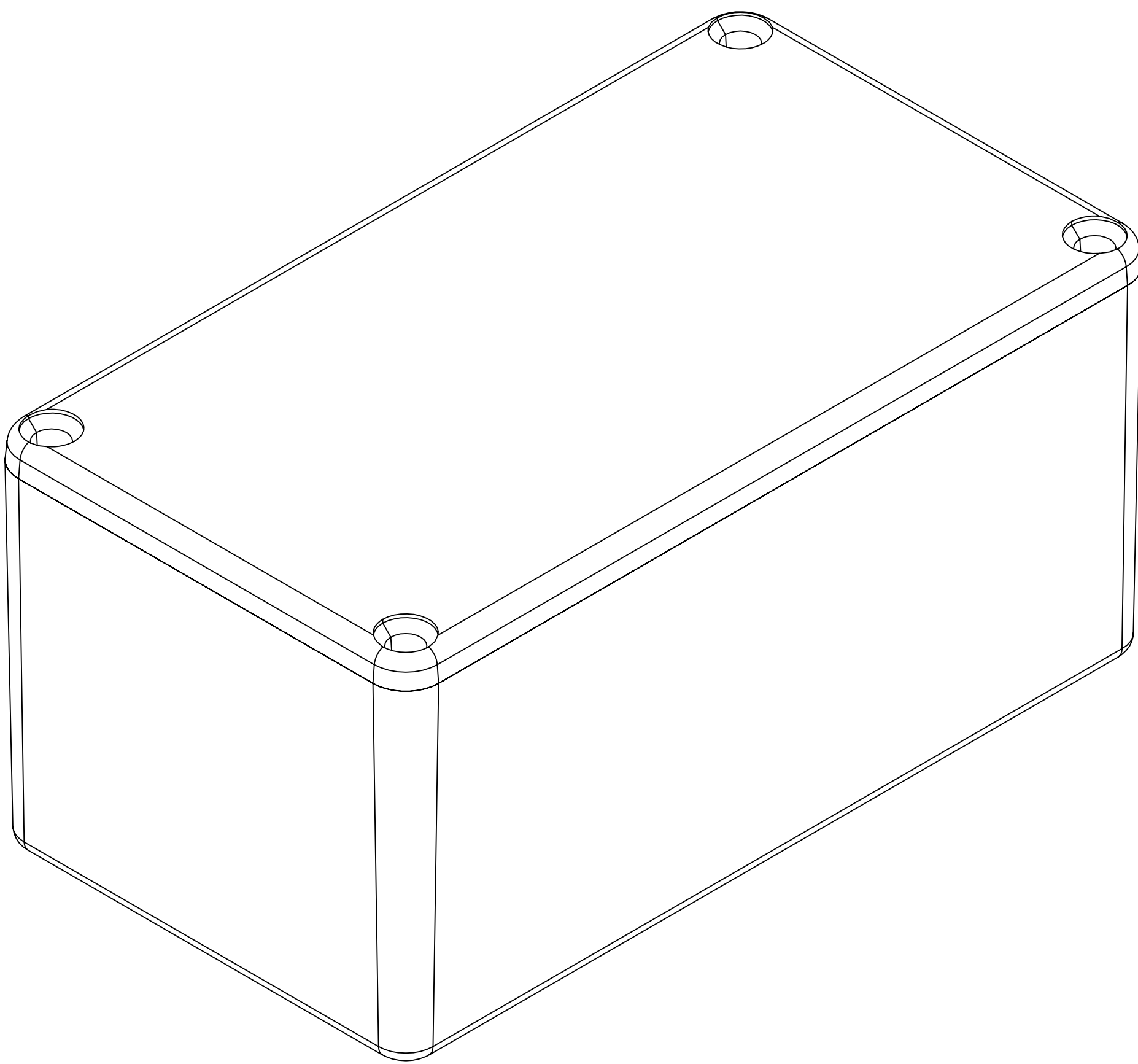
SURFACE-16




SURFACE-15



SURFACE-14



SURFACE-18

REV. NO	DATE	REVISED BY	DESCRIPTION OF CHANGE
 <b>ALTINKAYA</b> Electronic Enclosures & Components			<a href="http://www.altinkaya.com">www.altinkaya.com</a>
Customer Name:		Customer Ref. :	
Altinkaya Ref. :		Part Name: SE-405	
DRAWN	NAME	DATE	Drawn From :
CHECKED	Y.YEL	11.11.2024	Material :
DIMENSIONAL TOLERANCES UNLESS OTHERWISE SPECIFIED (DIN7168)			SCALE 1:1 SHEET 2 OF 2 UNIT: mm A0
	0.5-3mm	3-6mm	6-30mm
	±0.1	±0.1	±0.2
			±0.3
			±0.5
			m (Medium)