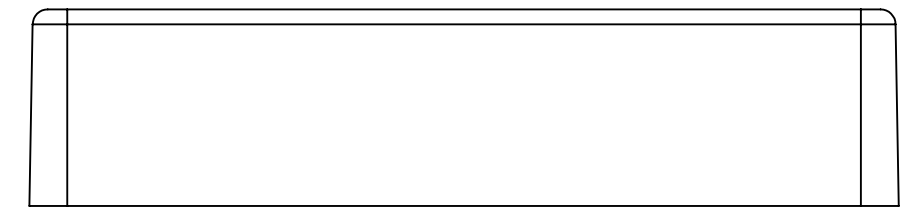
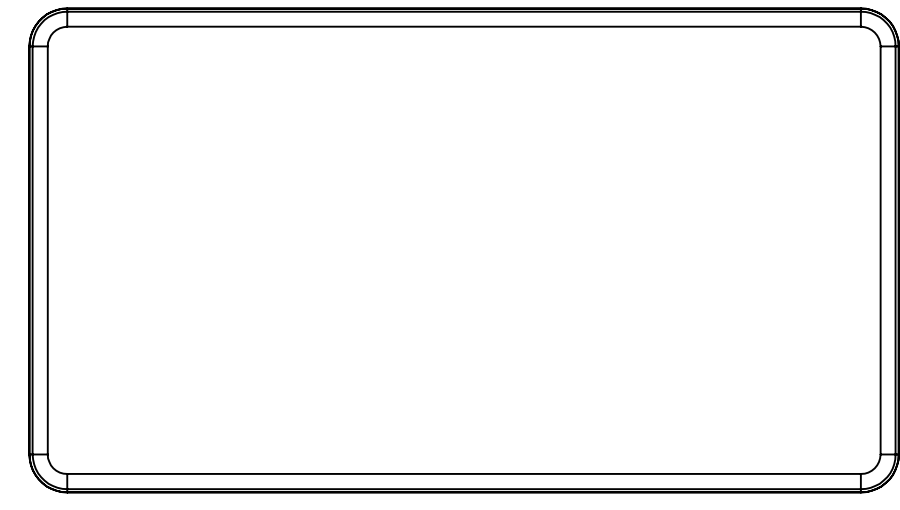


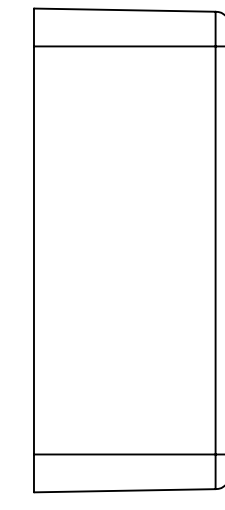
BASE: 6 SURFACE



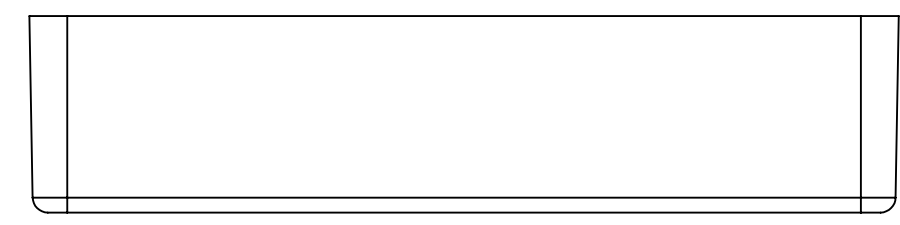
SURFACE-1



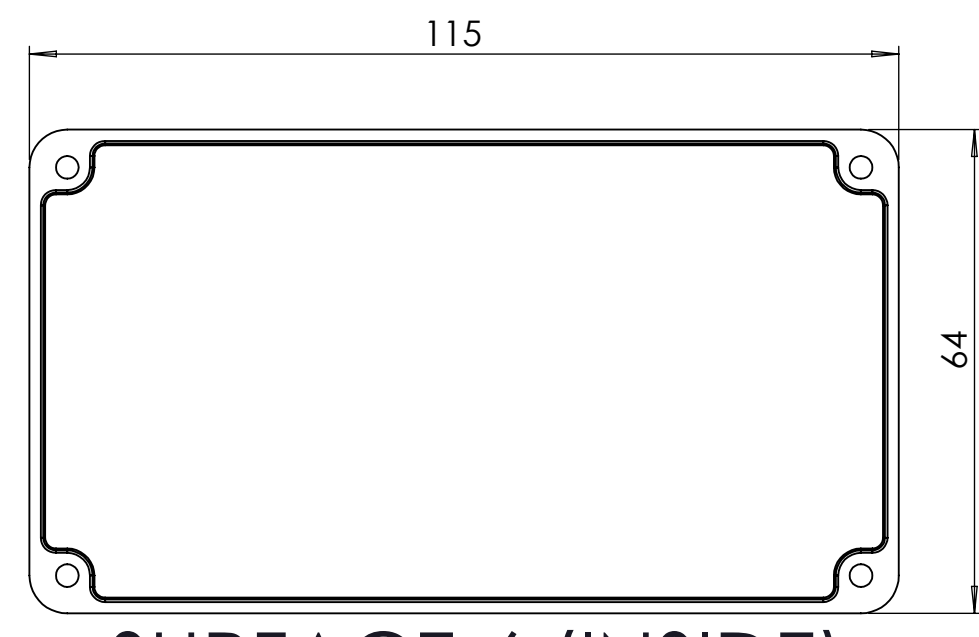
SURFACE-5



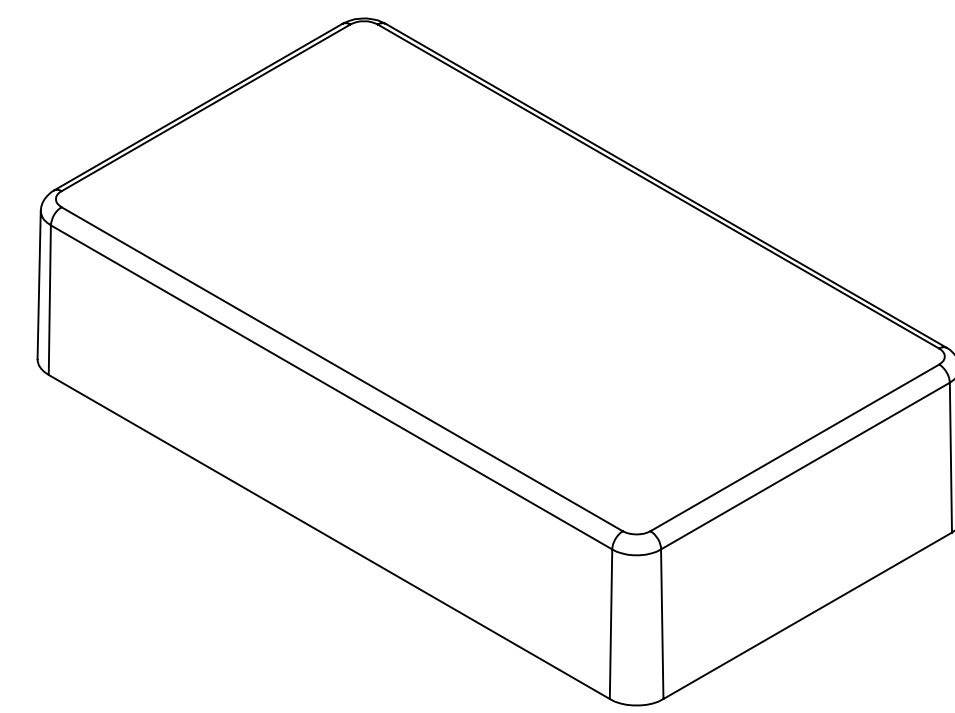
SURFACE-4



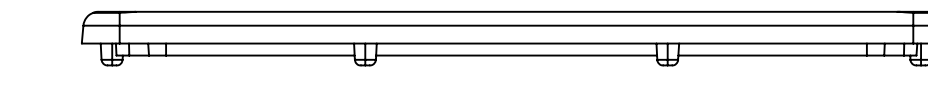
SURFACE-2



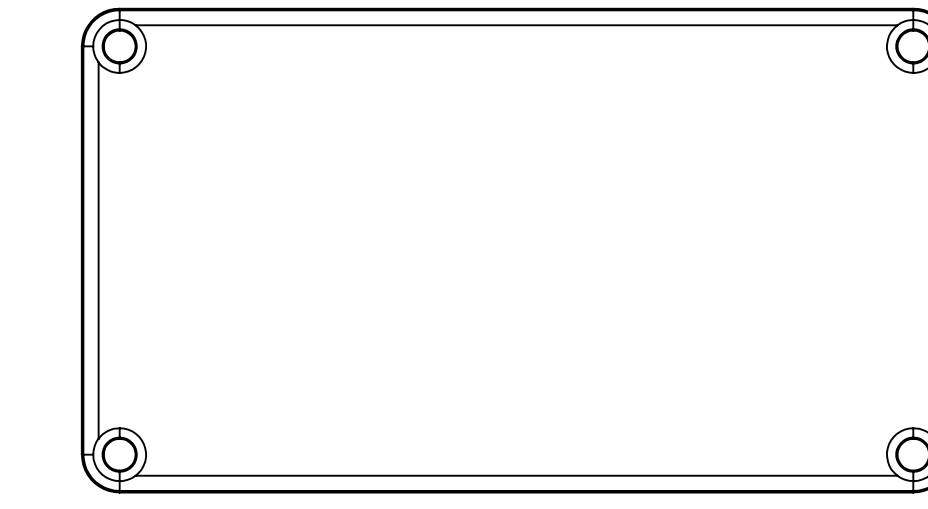
SURFACE-6 (INSIDE)



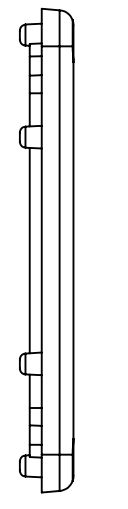
COVER: 6 SURFACE



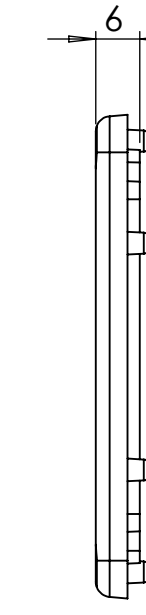
SURFACE-7



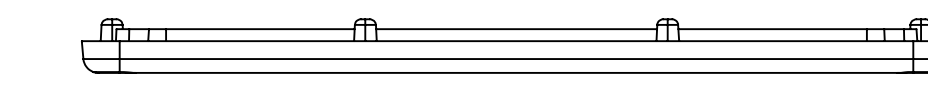
SURFACE-11



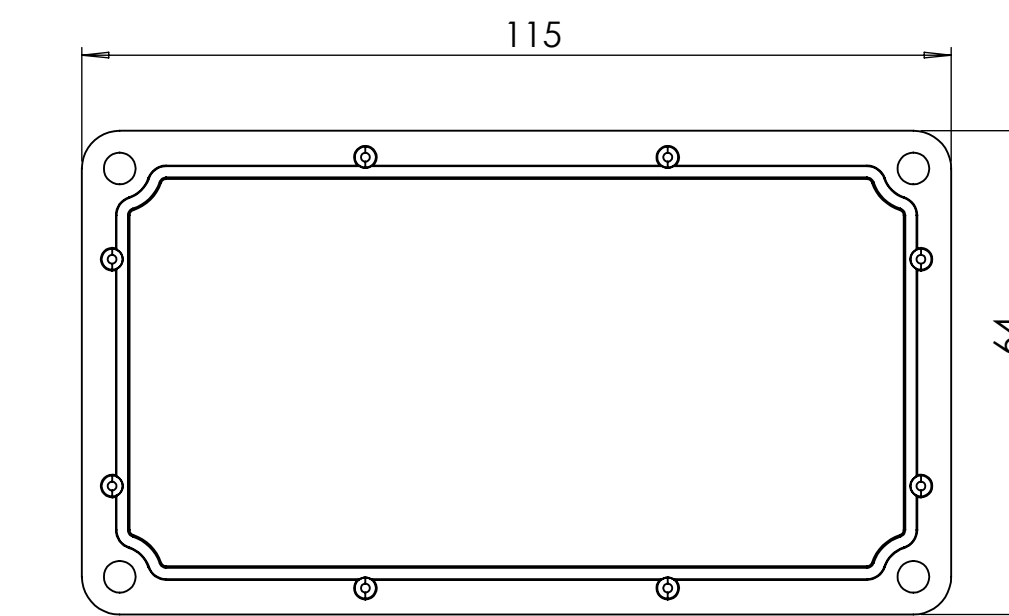
SURFACE-10



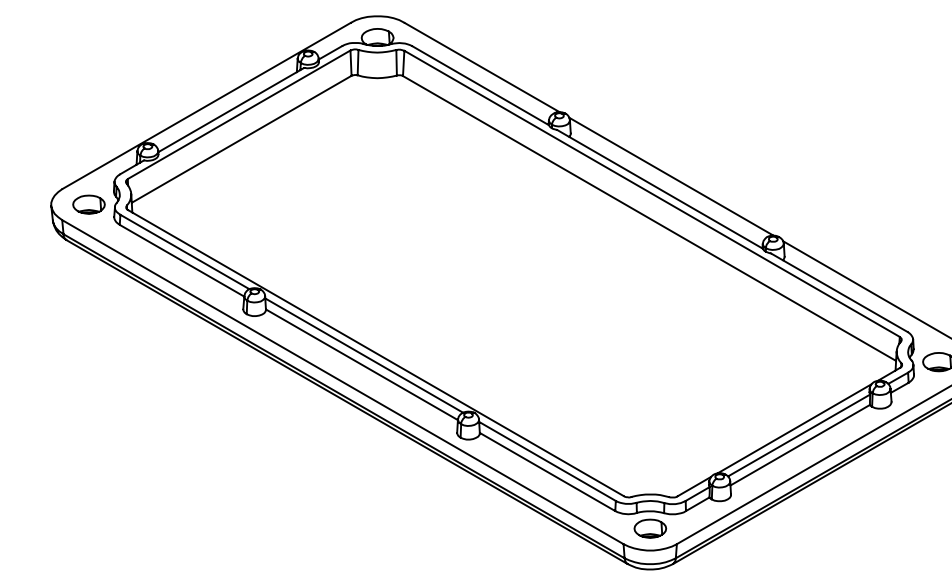
SURFACE-9




SURFACE-8

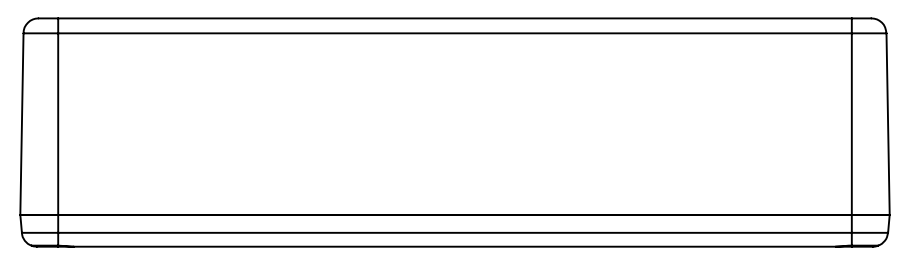


SURFACE-12 (INSIDE)

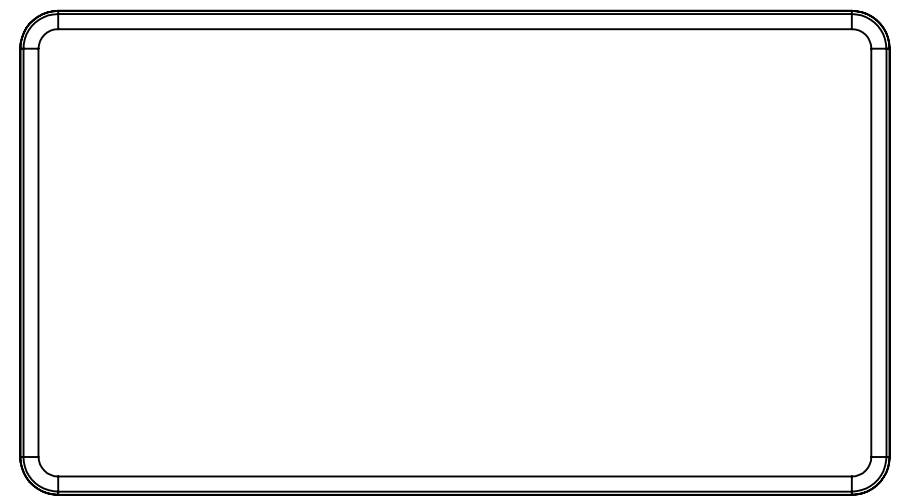


REV. NO	DATE	REVISED BY	DESCRIPTION OF CHANGE
 ALTINKAYA Electronic Enclosures & Components			
Customer Name:		Customer Ref. :	
Altinkaya Ref. :		Part Name: SE-404	
NAME	DATE	Drawn From :	SCALE 1:1
DRAWN	S.YESILOZ	11.11.2024	SHEET 01 OF 2
CHECKED	Y.YEL	11.11.2024	Weight :
DIMENSIONAL TOLERANCES UNLESS OTHERWISE SPECIFIED (DIN7168)		0.5-3mm ±0.1	3-6mm ±0.1
		6-30mm ±0.2	30-120mm ±0.3
		120-400mm ±0.5	Dimension (mm) m (Medium)
		UNIT: mm	A0

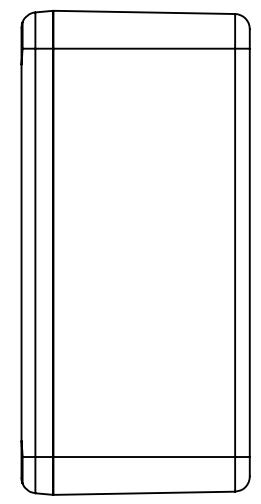
SE-404 IF MACHINED TOGETHER



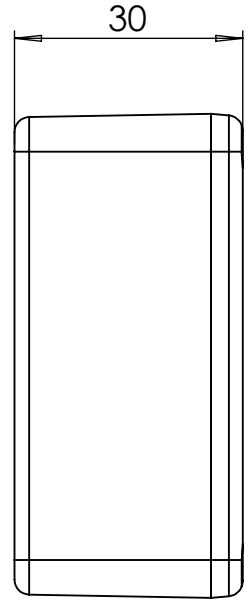
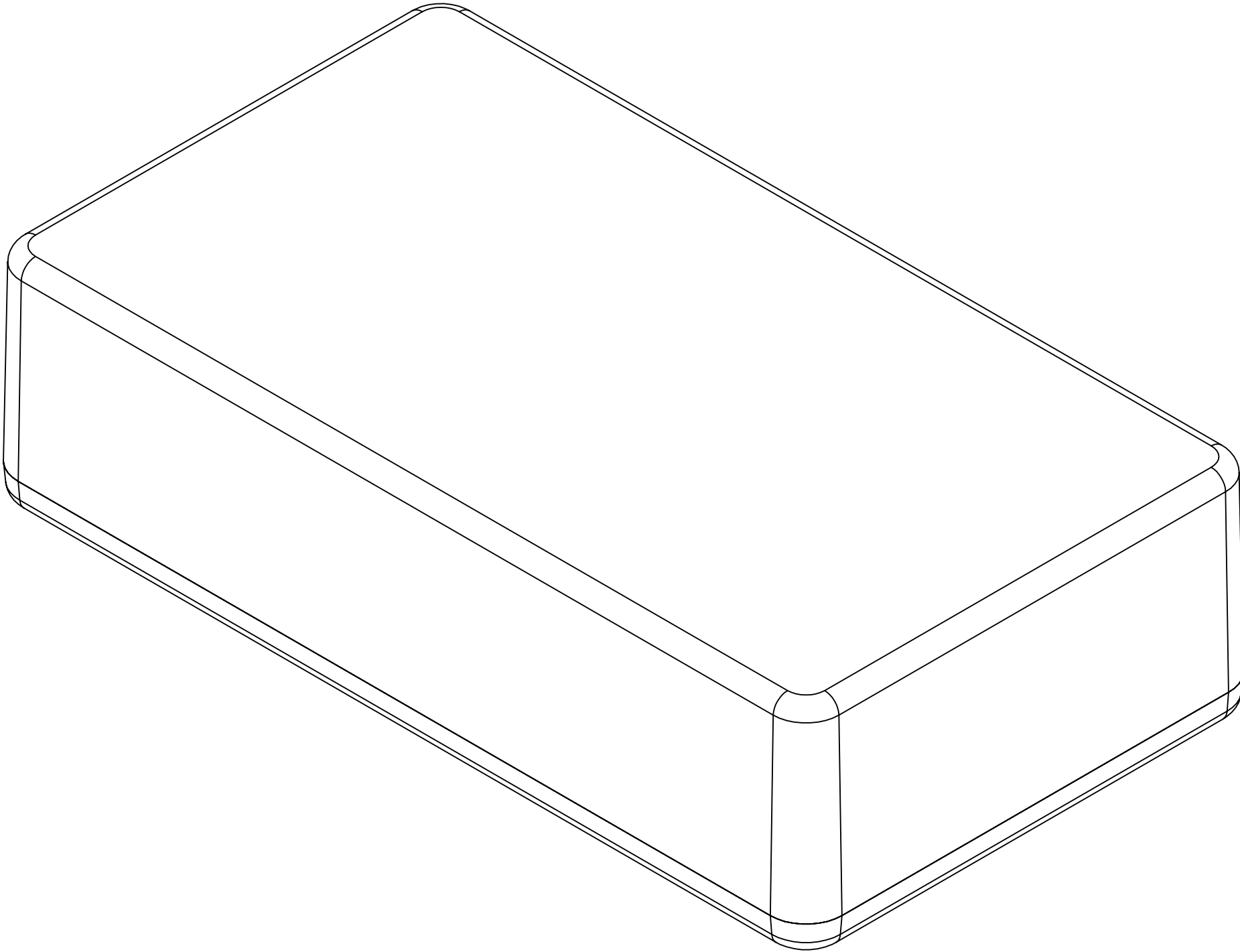
SURFACE-13



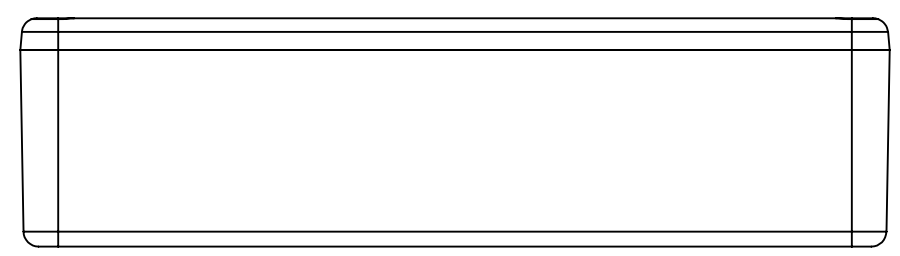
SURFACE-17



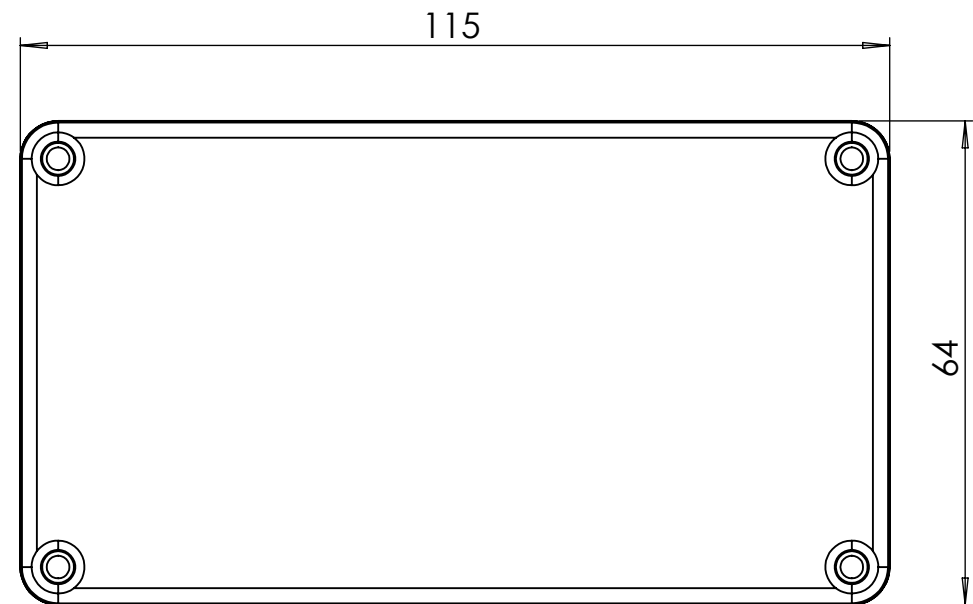
SURFACE-16



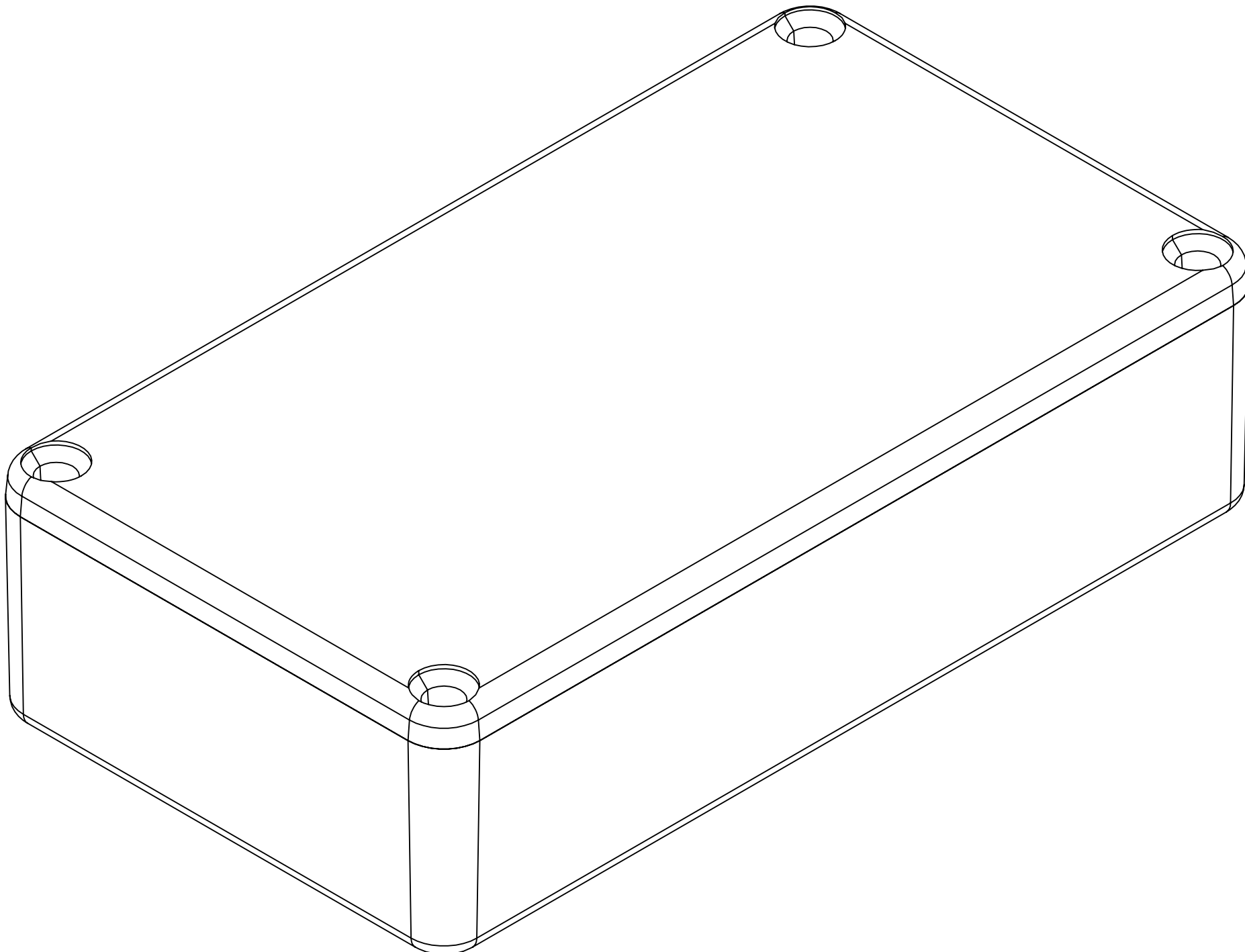
SURFACE-15




SURFACE-14



SURFACE-18



REV. NO	DATE	REVISED BY	DESCRIPTION OF CHANGE
 ALTINKAYA Electronic Enclosures & Components			www.altinkaya.com
Customer Name:		Customer Ref. :	
Altinkaya Ref. :		Part Name: SE-404	
DRAWN	NAME	DATE	Drawn From :
CHECKED	Y.YEL	11.11.2024	Material :
DIMENSIONAL TOLERANCES UNLESS OTHERWISE SPECIFIED (DIN7168)			SCALE 1:1 SHEET 2 OF 2
	0.5-3mm	3-6mm	6-30mm
	±0.1	±0.1	±0.2
			±0.3
			±0.5
			m (Medium)
			UNIT: mm
			A0