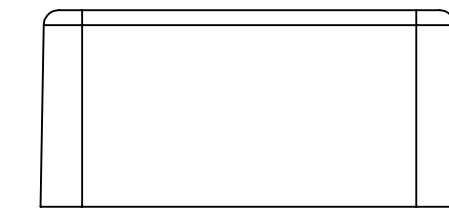
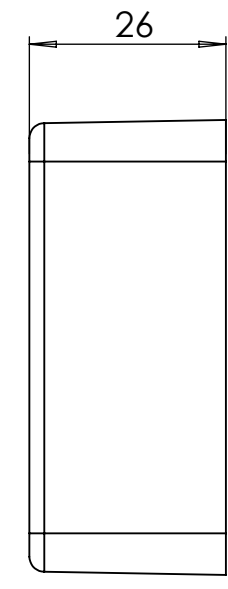


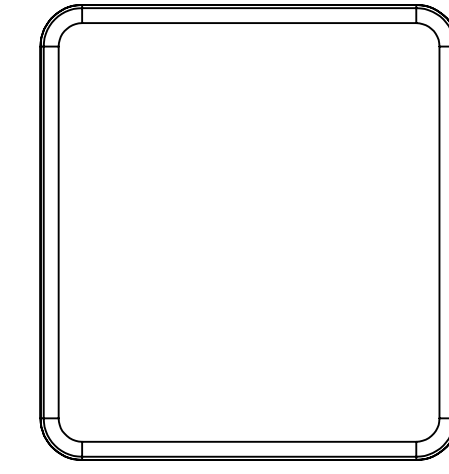
BASE: 6 SURFACE



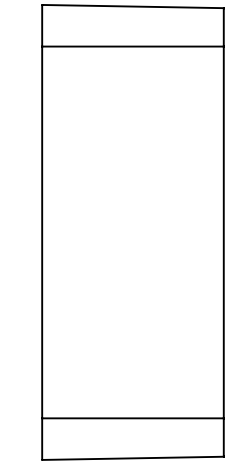
SURFACE-1



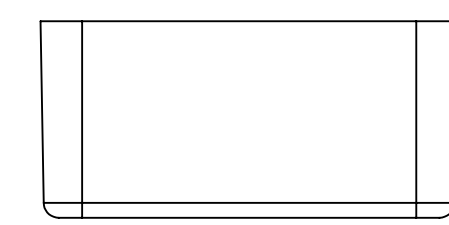
SURFACE-3



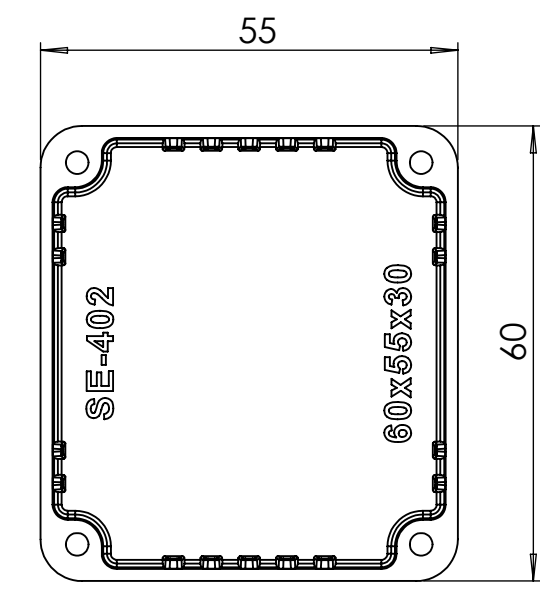
SURFACE-5



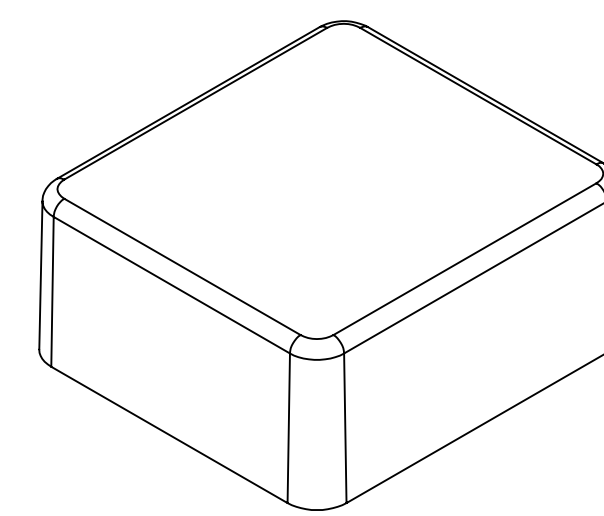
SURFACE-4



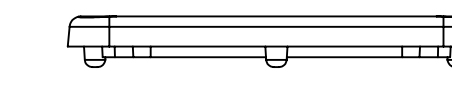
SURFACE-2



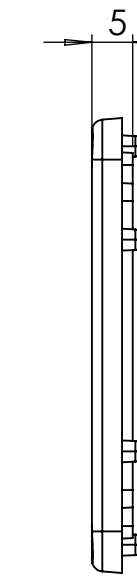
SURFACE-6 (INSIDE)



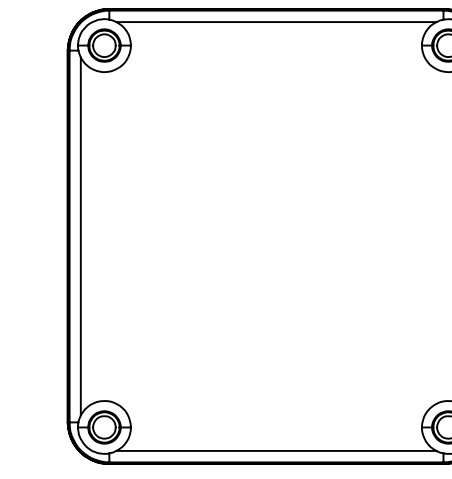
COVER: 6 SURFACE



SURFACE-7



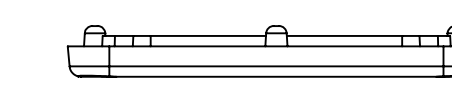
SURFACE-9



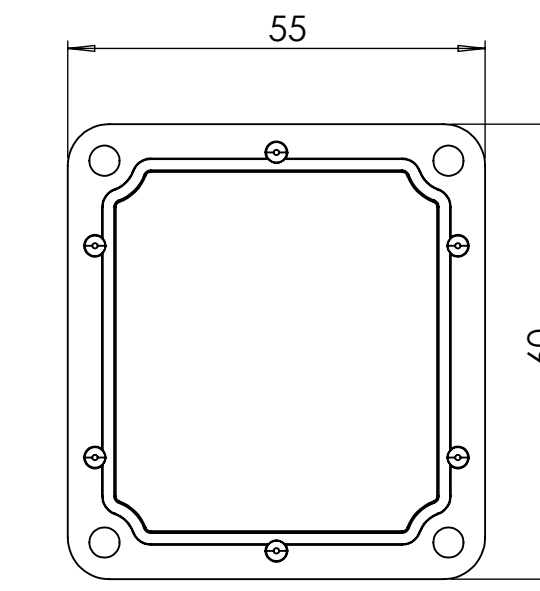
SURFACE-11



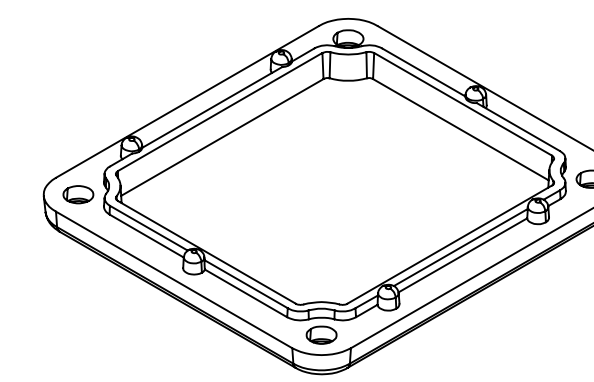
SURFACE-10




SURFACE-8

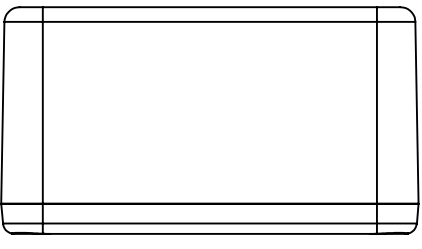


SURFACE-12 (INSIDE)

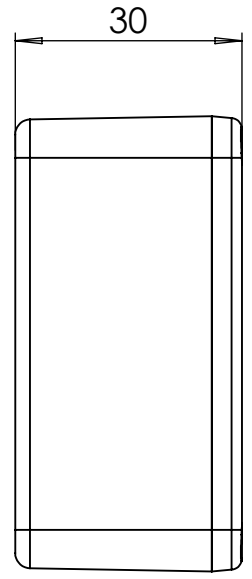


REV. NO	DATE	REVISED BY	DESCRIPTION OF CHANGE							
 ALTINKAYA Electronic Enclosures & Components			www.altinkaya.com							
Customer Name:		Customer Ref. :								
Altinkaya Ref. :		Part Name: SE-402								
NAME		DATE		Drawn From :						
DRAWN	S.YESILOZ	11.11.2024		Material :						
CHECKED	Y.YEL	11.11.2024		Weight :						
DIMENSIONAL TOLERANCES UNLESS OTHERWISE SPECIFIED (DIN7168)			0.5-3mm	3-6mm	6-30mm	30-120mm	120-400mm	Dimension (mm)	SCALE 1:1	SHEET OF 2
			±0.1	±0.1	±0.2	±0.3	±0.5	mm (Medium)	A0	UNIT: mm

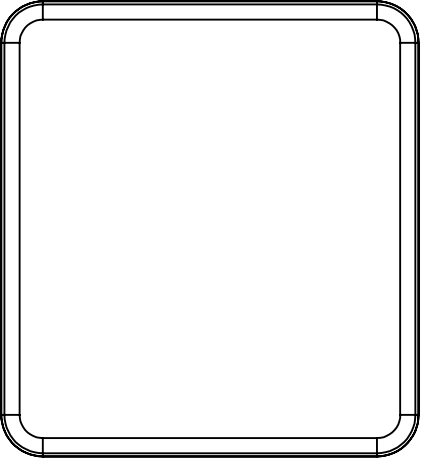
SE-402- IF MACHINED TOGETHER



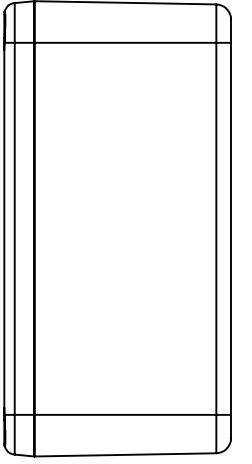
SURFACE-13



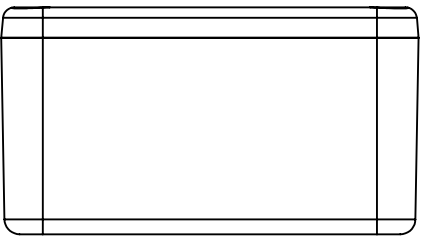
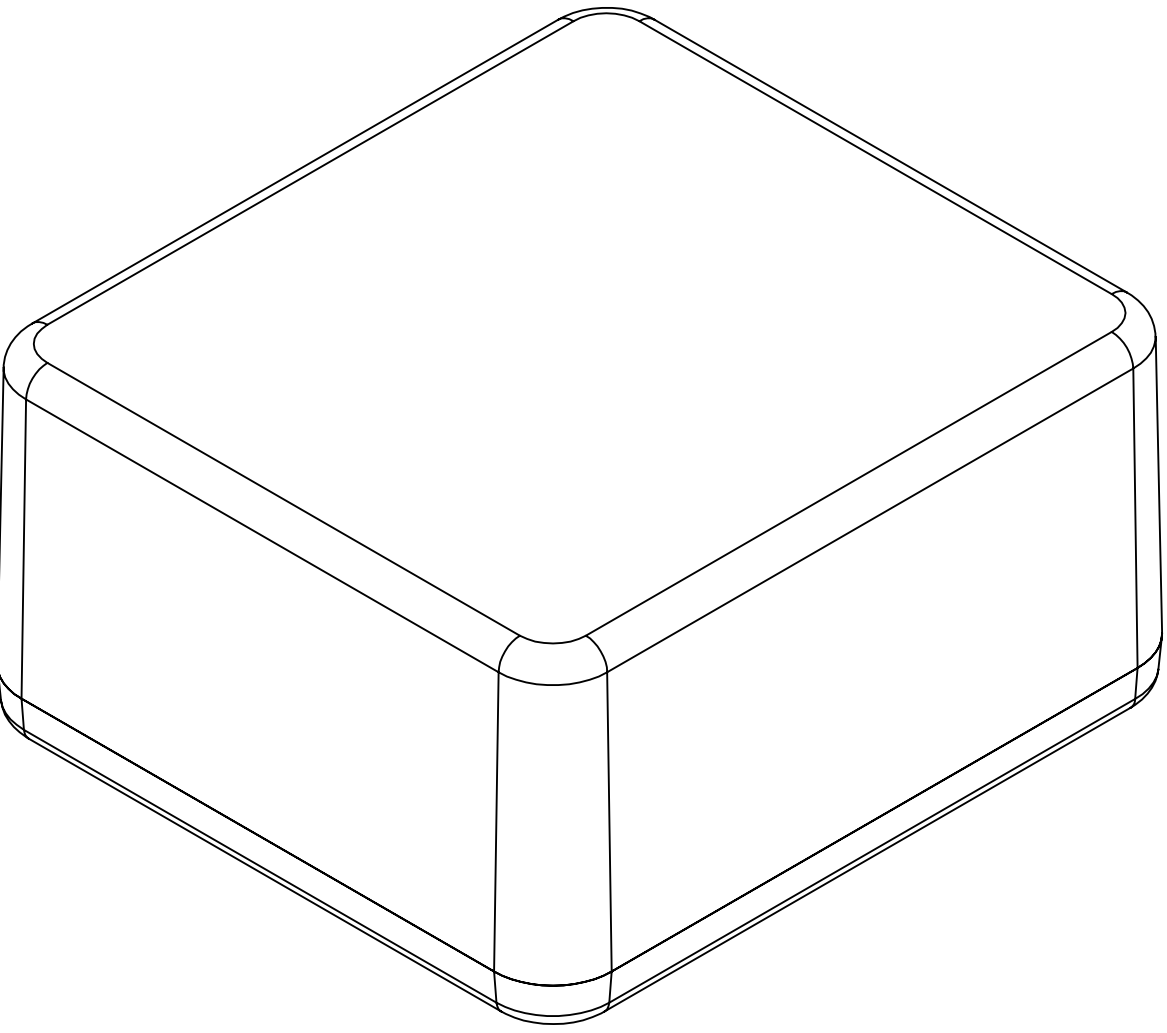
SURFACE-15



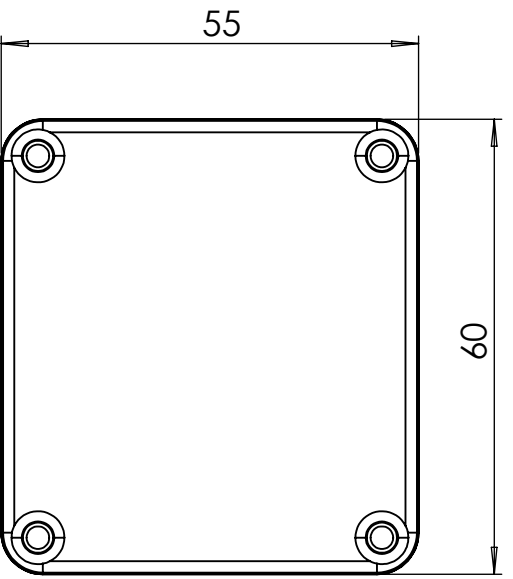
SURFACE-17



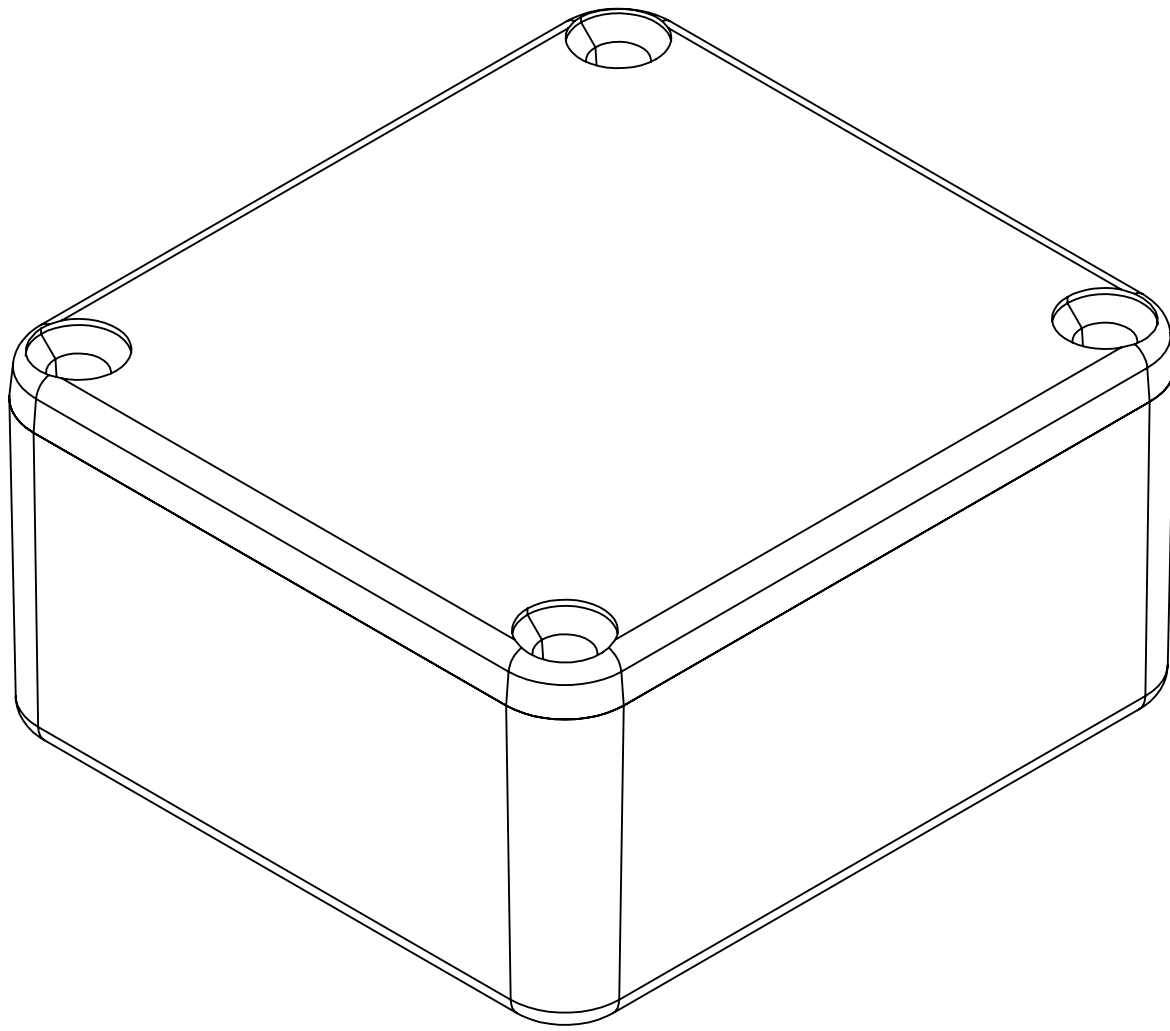
SURFACE-16




SURFACE-14



SURFACE-18



REV. NO	DATE	REVISED BY	DESCRIPTION OF CHANGE
 ALTINKAYA Electronic Enclosures & Components			
Customer Name:		Customer Ref. :	
Altinkaya Ref. :		Part Name: SE-402	
DRAWN	NAME	DATE	Drawn From :
CHECKED	Y.YEL	11.11.2024	Weight :
DIMENSIONAL TOLERANCES UNLESS OTHERWISE SPECIFIED (DIN7168)			
	0.5-3mm	3-6mm	6-30mm
	±0.1	±0.1	±0.2
			±0.3
			±0.5
			m (Medium)

www.altinkaya.com

SCALE 1:1
SHEET 2 OF 2

UNIT: mm

A0