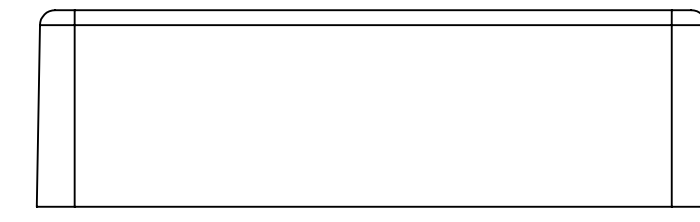
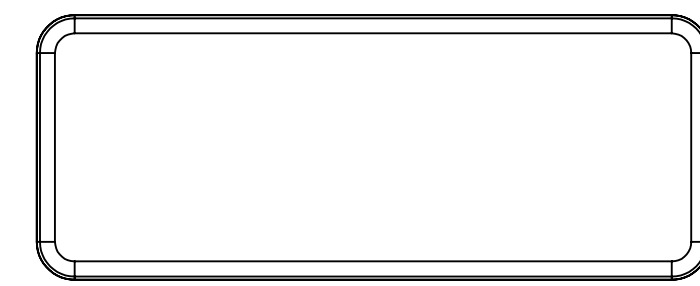


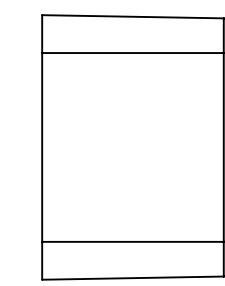
BASE: 6 SURFACE



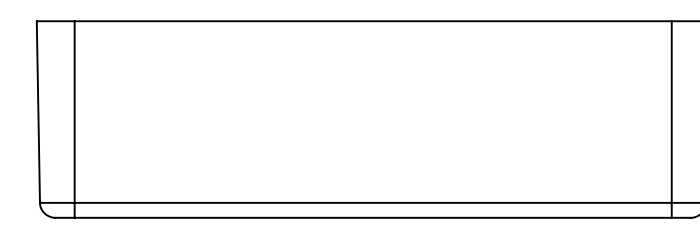
SURFACE-1



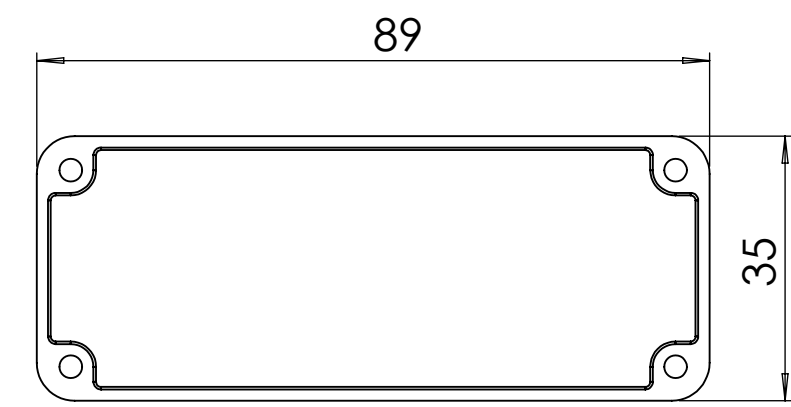
SURFACE-5



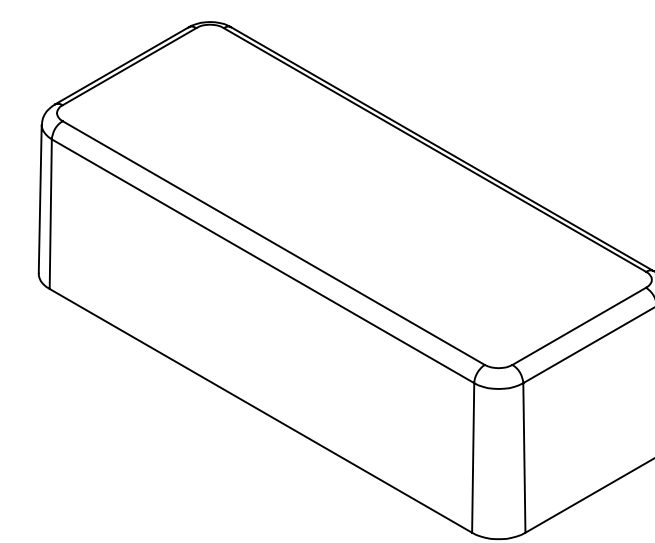
SURFACE-4



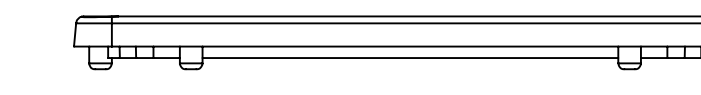
SURFACE-2



SURFACE-6 (INSIDE)



COVER: 6 SURFACE



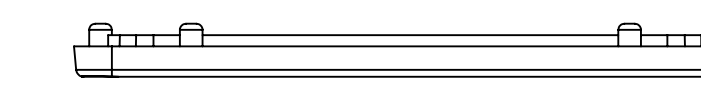
SURFACE-7



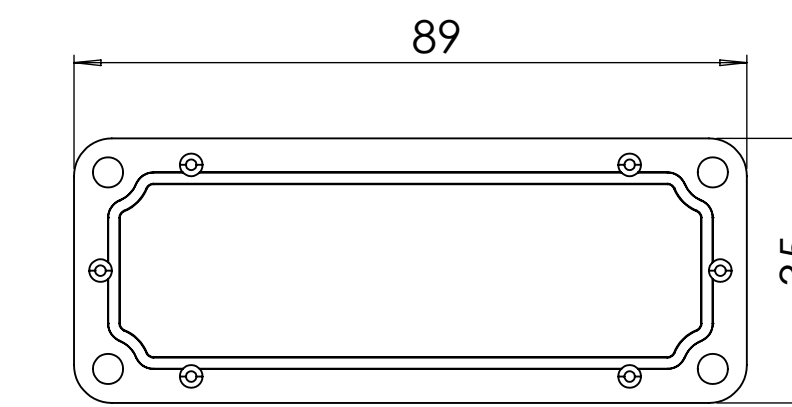
SURFACE-11



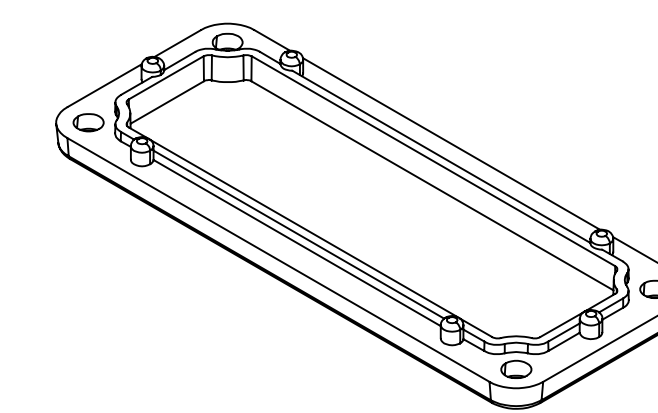
SURFACE-10




SURFACE-8

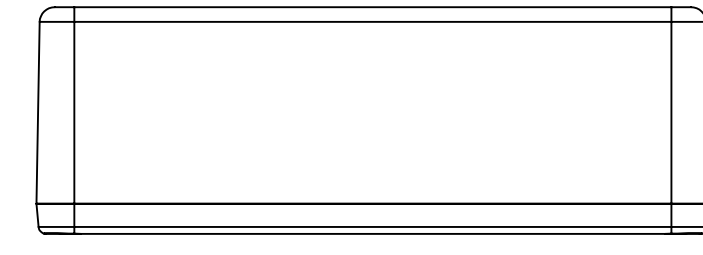


SURFACE-12 (INSIDE)

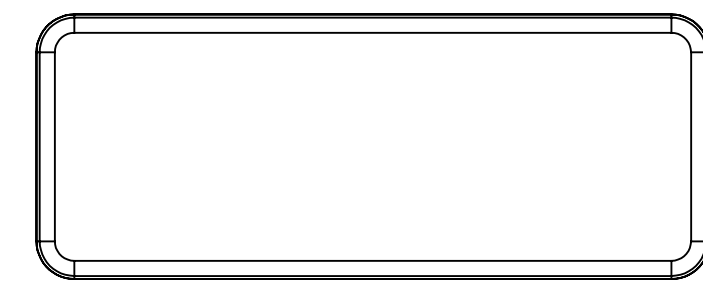


REV. NO	DATE	REVISED BY	DESCRIPTION OF CHANGE
 ALTINKAYA Electronic Enclosures & Components			
Customer Name:		Customer Ref.:	
Altinkaya Ref.:		Part Name: SE-401-0-0	
NAME	DATE	Drawn From:	SCALE 1:1
DRAWN S.YESILOZ	11.11.2024	Material:	SHEET 1 OF 2
CHECKED Y.YEL	11.11.2024	Weight:	UNIT: mm
DIMENSIONAL TOLERANCES UNLESS OTHERWISE SPECIFIED (DIN7168)		0.5-3mm ±0.1	3-6mm ±0.1
		6-30mm ±0.2	30-120mm ±0.3
		120-400mm ±0.5	Dimension (mm)
			m (Medium)
			A0

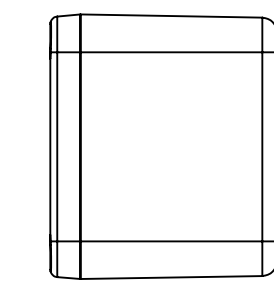
SE-401- IF MACHINED TOGETHER



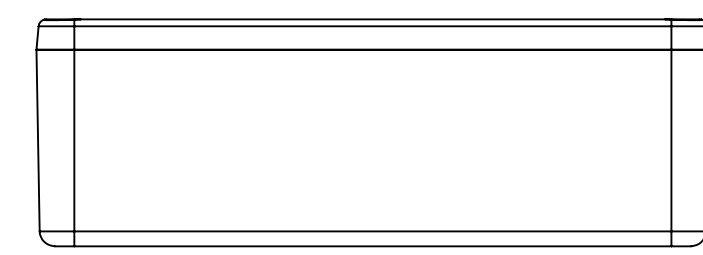
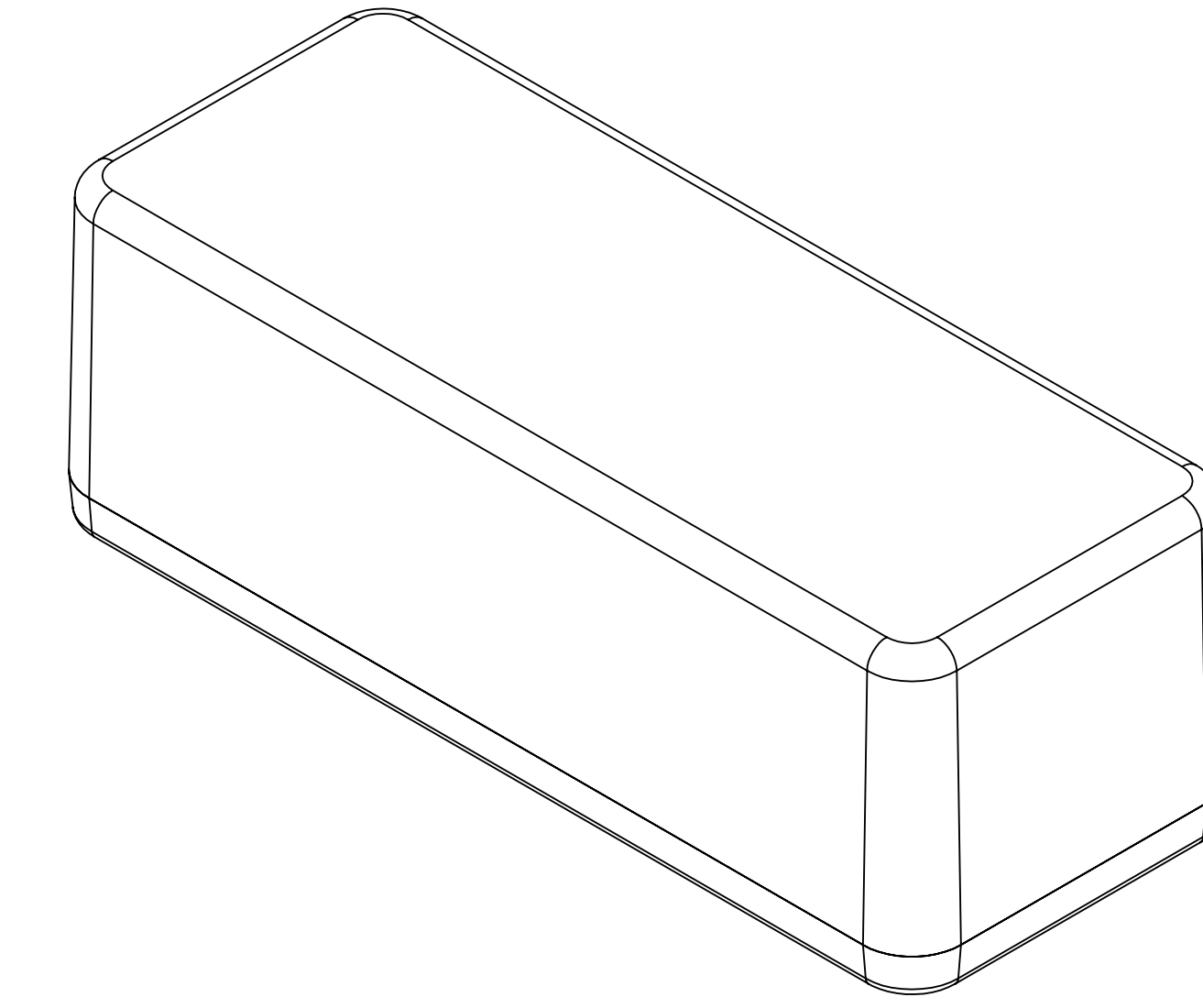
SURFACE-13



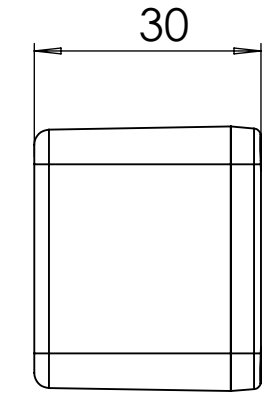
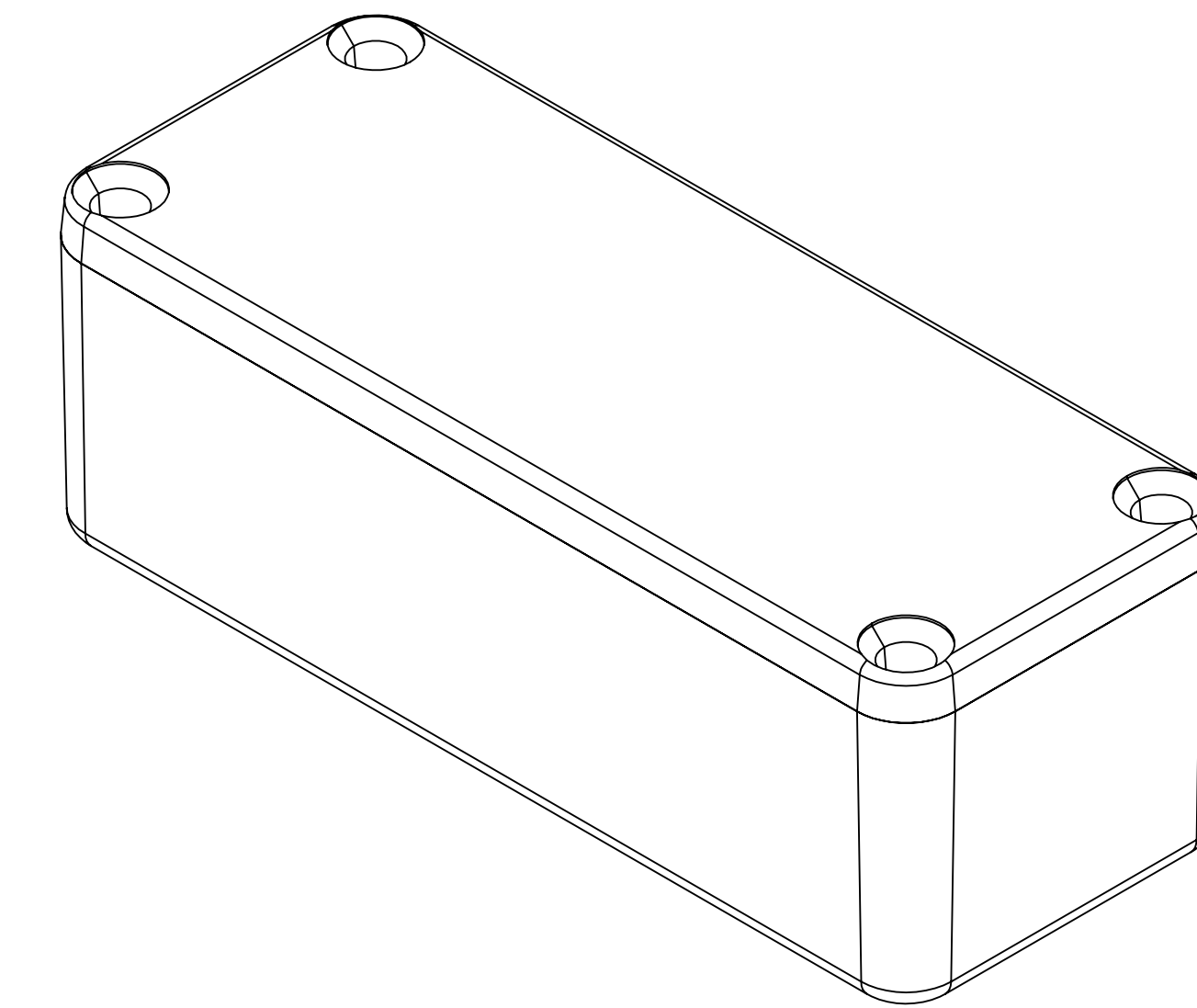
SURFACE-17



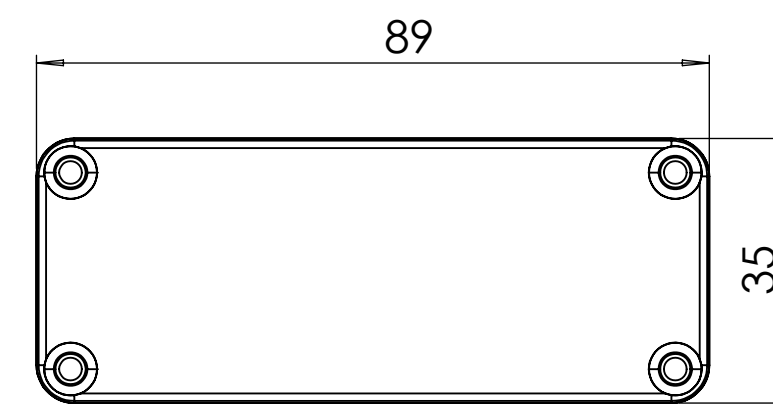
SURFACE-16




SURFACE-14



SURFACE-15



SURFACE-18

REV. NO	DATE	REVISED BY	DESCRIPTION OF CHANGE
 ALTINKAYA Electronic Enclosures & Components			
Customer Name:		Customer Ref. :	
Altinkaya Ref. :		Part Name: SE-401-0-0	
DRAWN	NAME	DATE	Drawn From :
CHECKED	Y.YEL	11.11.2024	Weight :
DIMENSIONAL TOLERANCES UNLESS OTHERWISE SPECIFIED (DIN7168)			
	0.5-3mm	3-6mm	6-30mm
	±0.1	±0.1	±0.2
			±0.3
			±0.5
			m (Medium)
SCALE 1:1			SHEET 2 OF 2
UNIT: mm			A0
www.altinkaya.com			