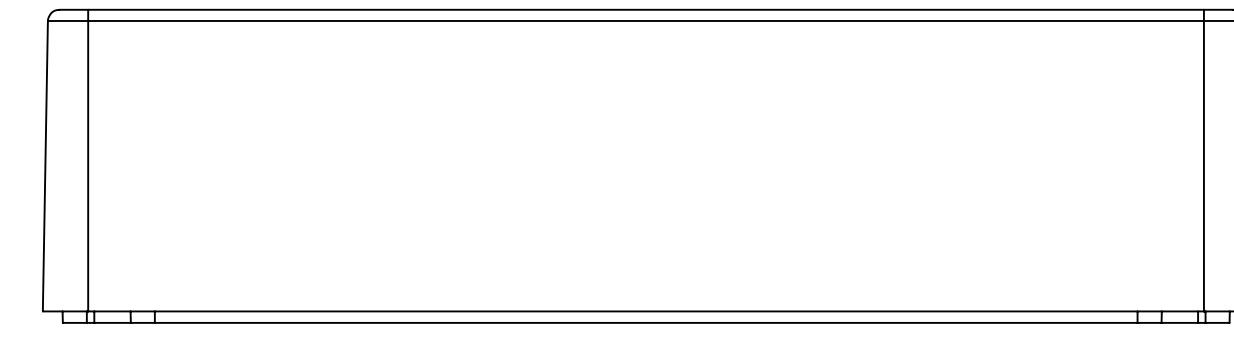
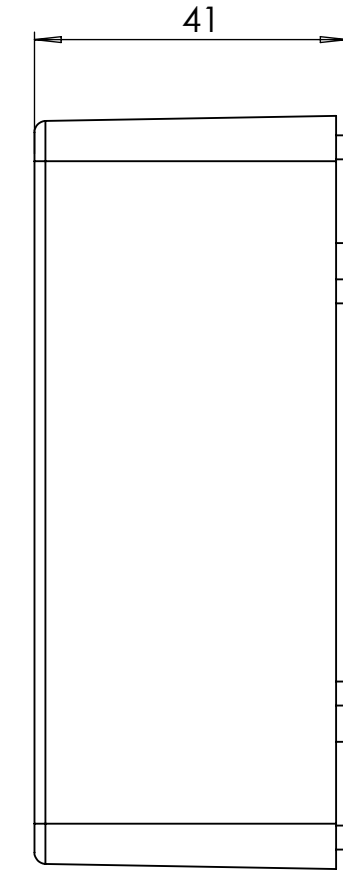


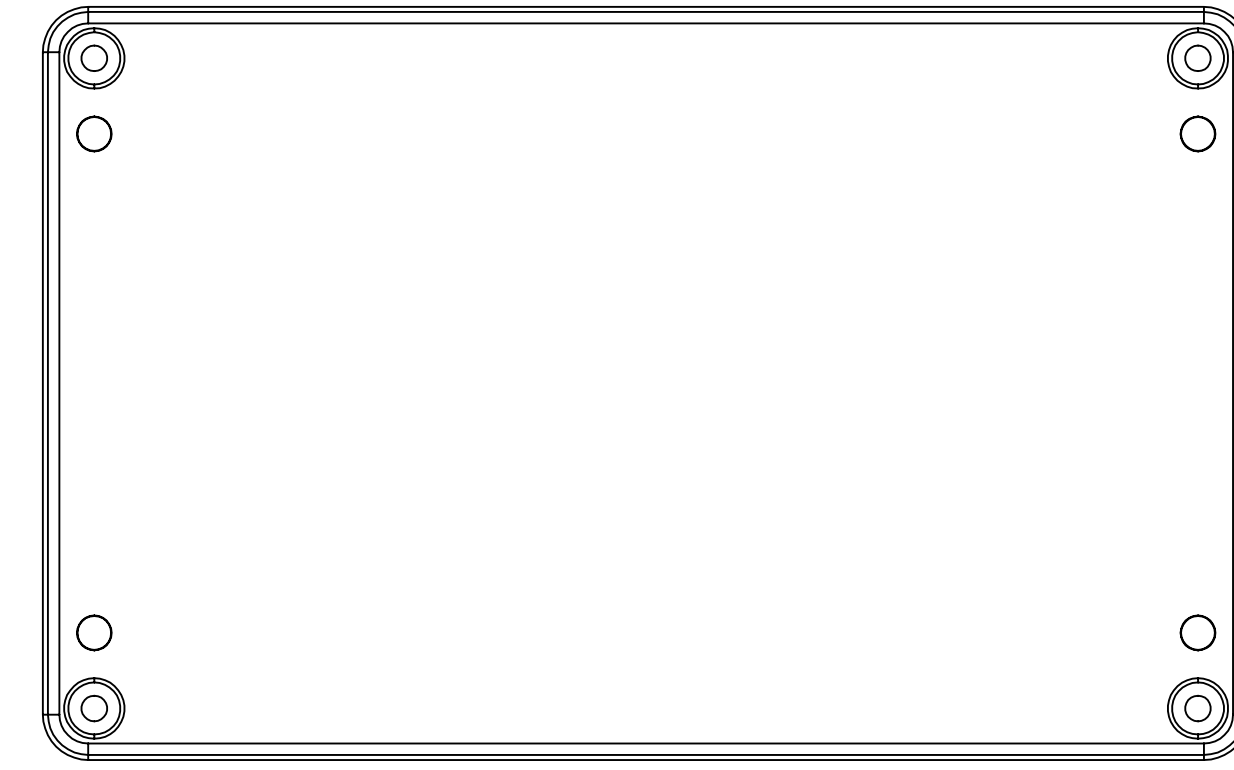
**BASE: 6 SURFACE**



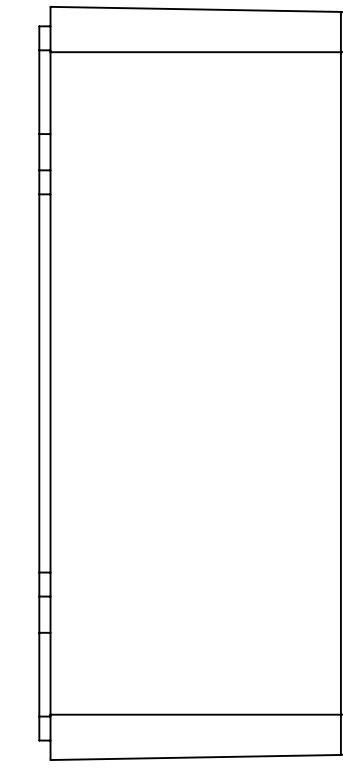
SURFACE-1



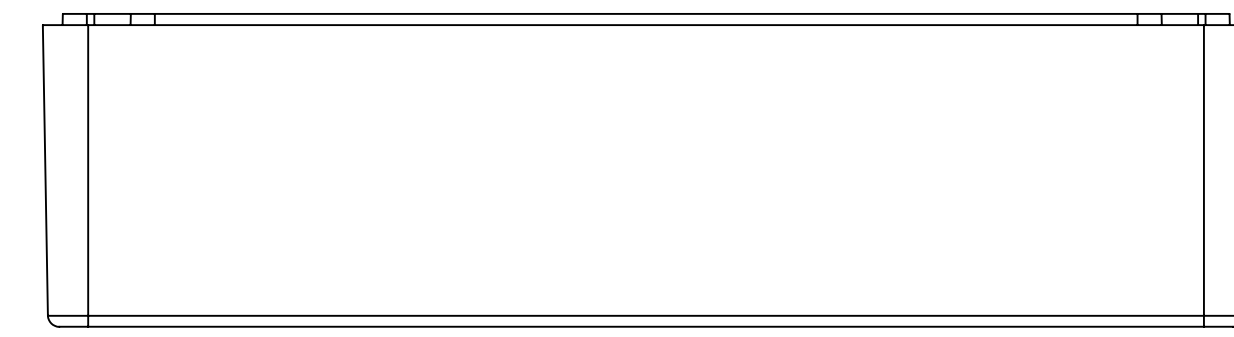
SURFACE-3



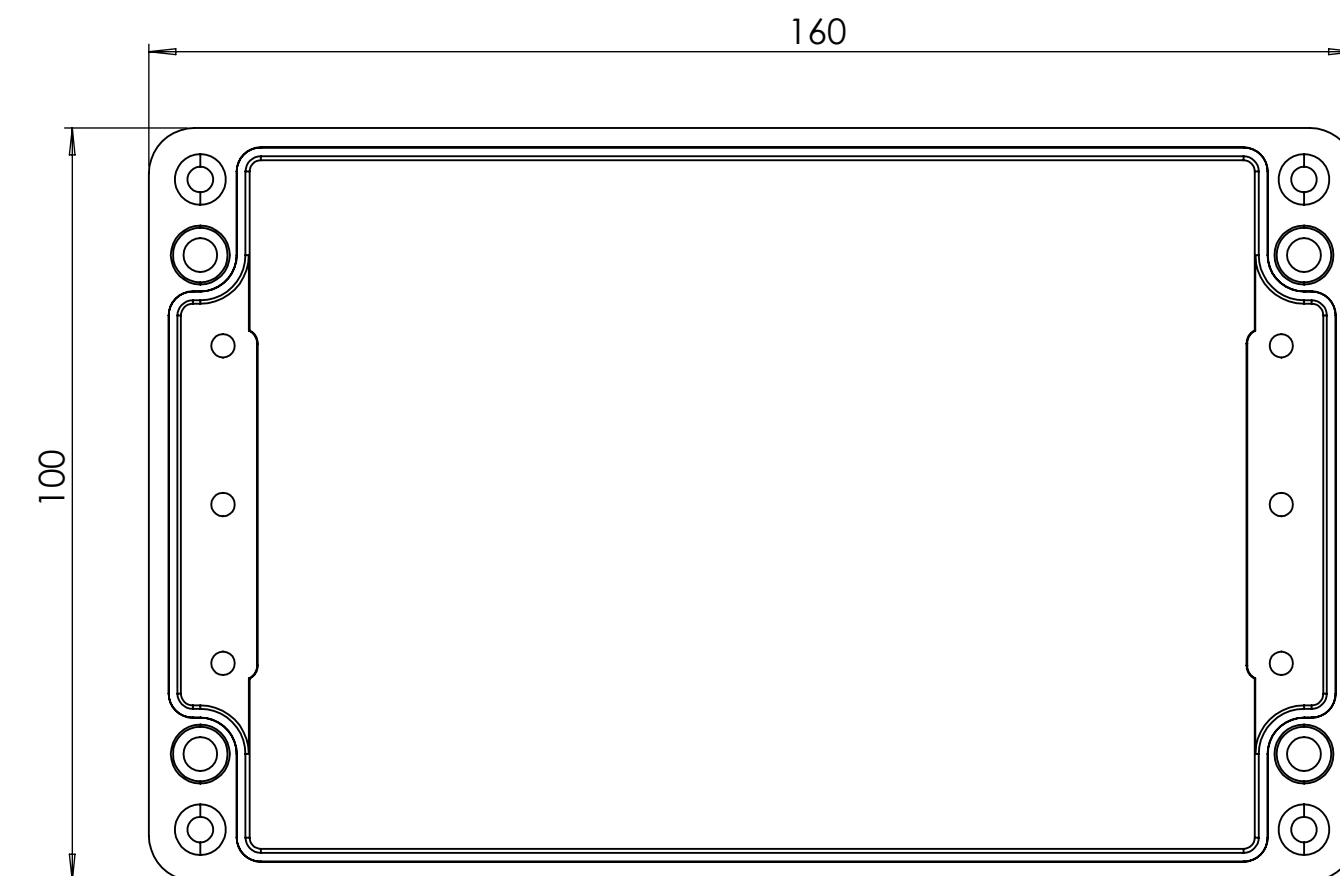
SURFACE-5



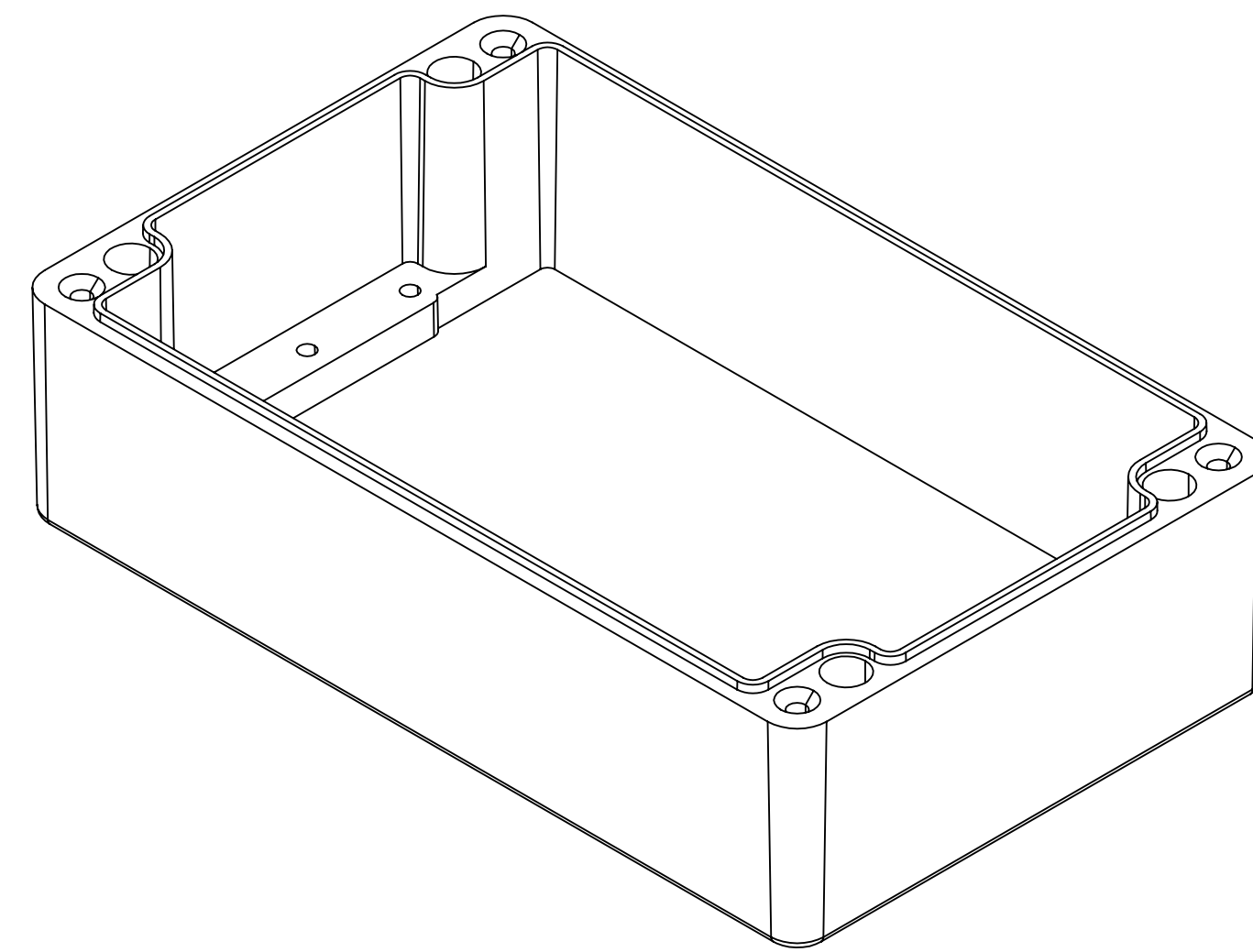
SURFACE-4



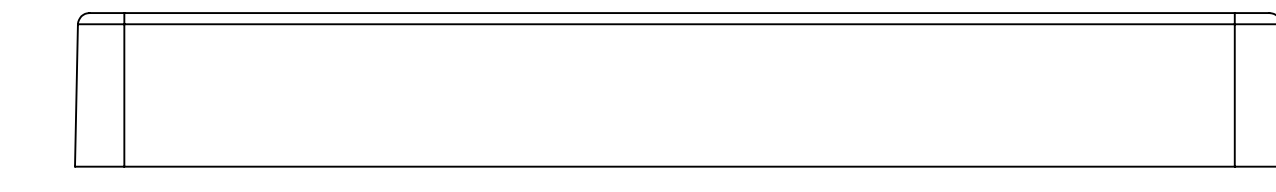
SURFACE-2



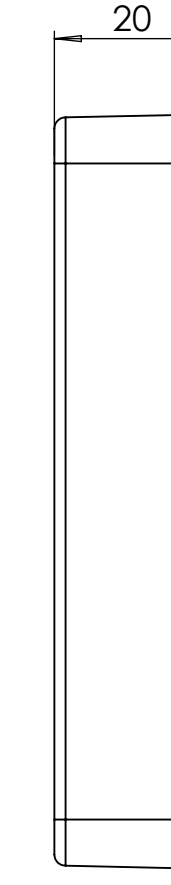
SURFACE-6 (INSIDE)



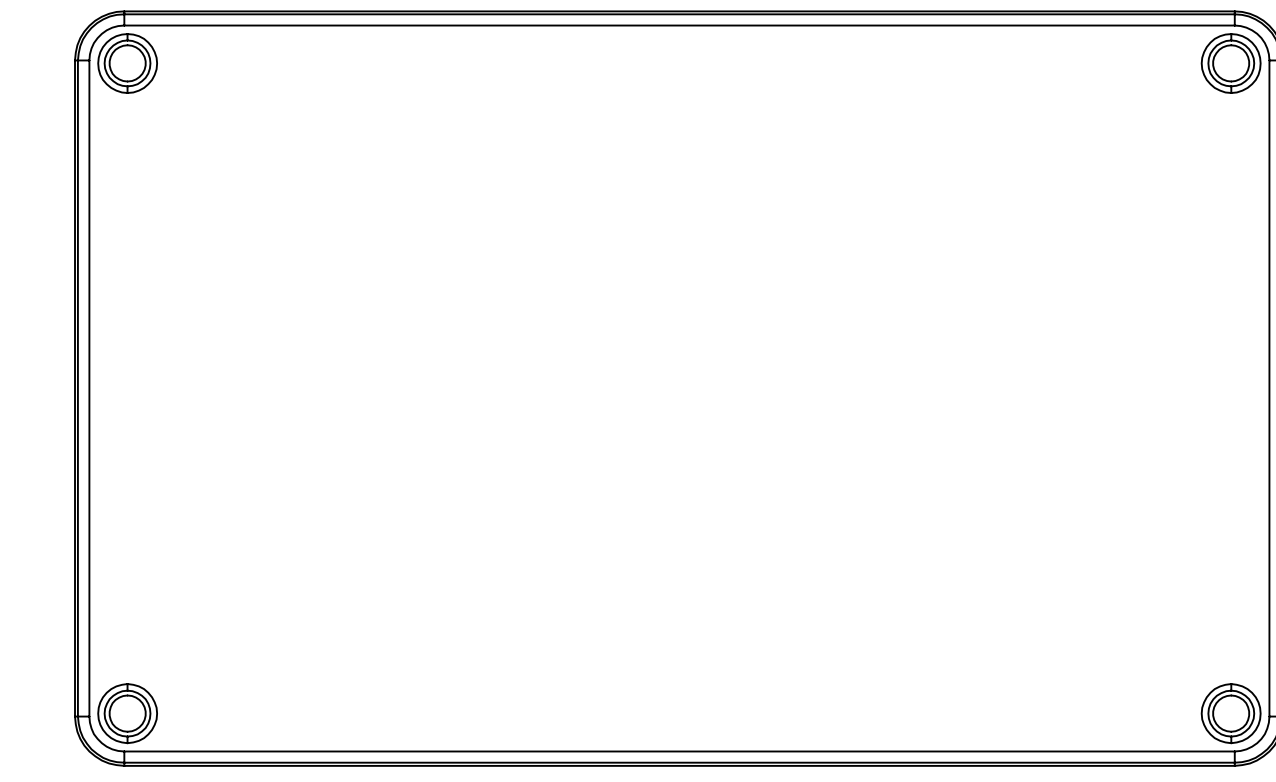
**COVER: 6 SURFACE**



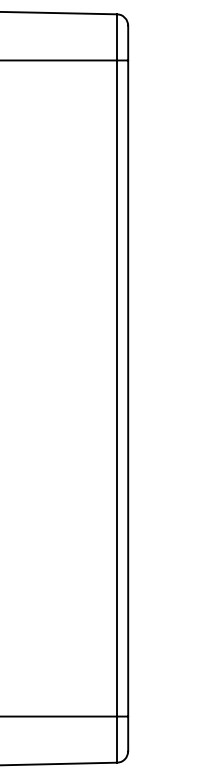
SURFACE-7



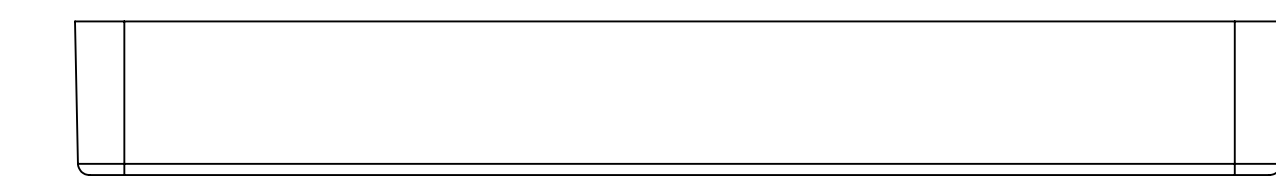
SURFACE-9



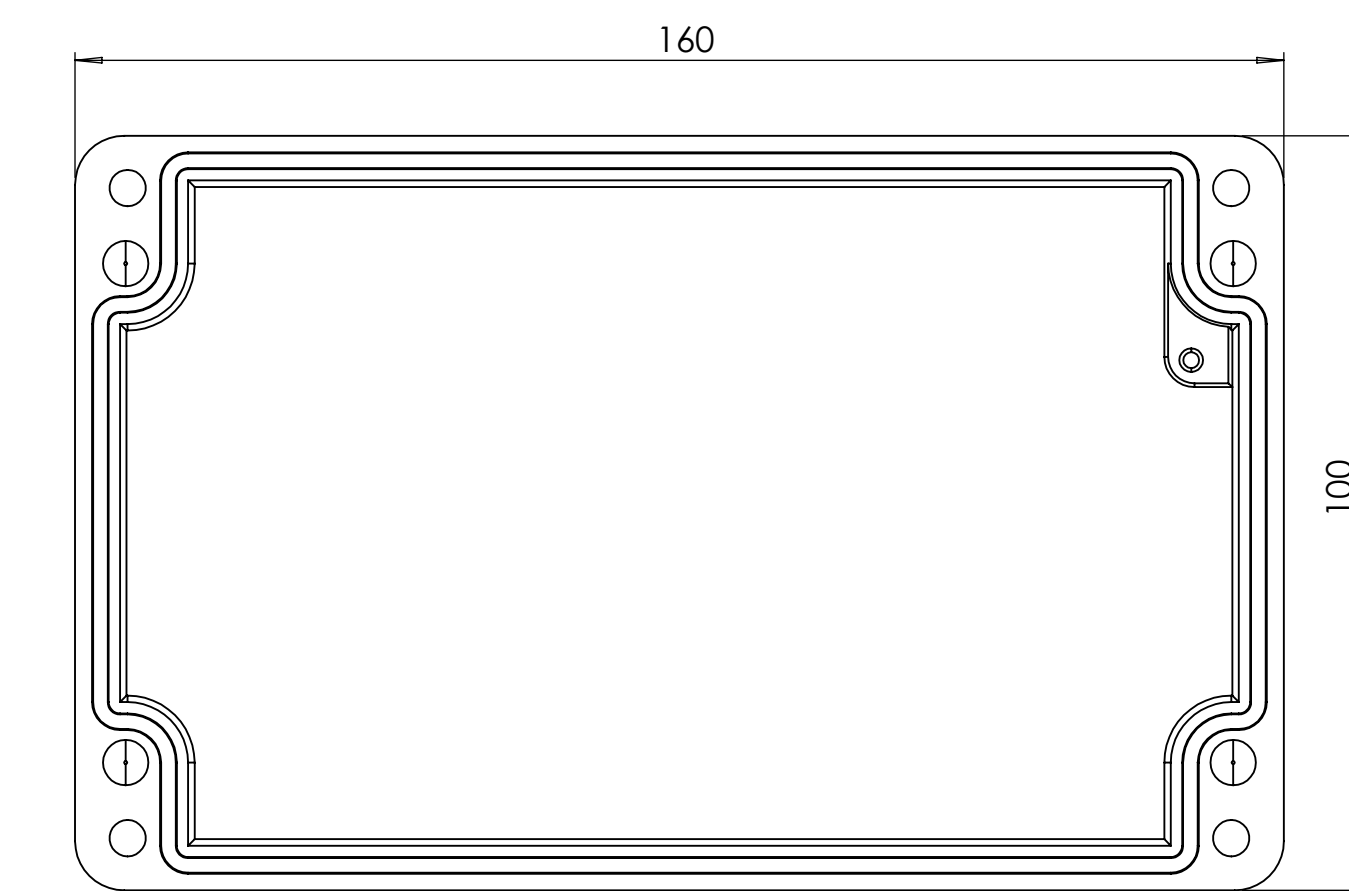
SURFACE-11



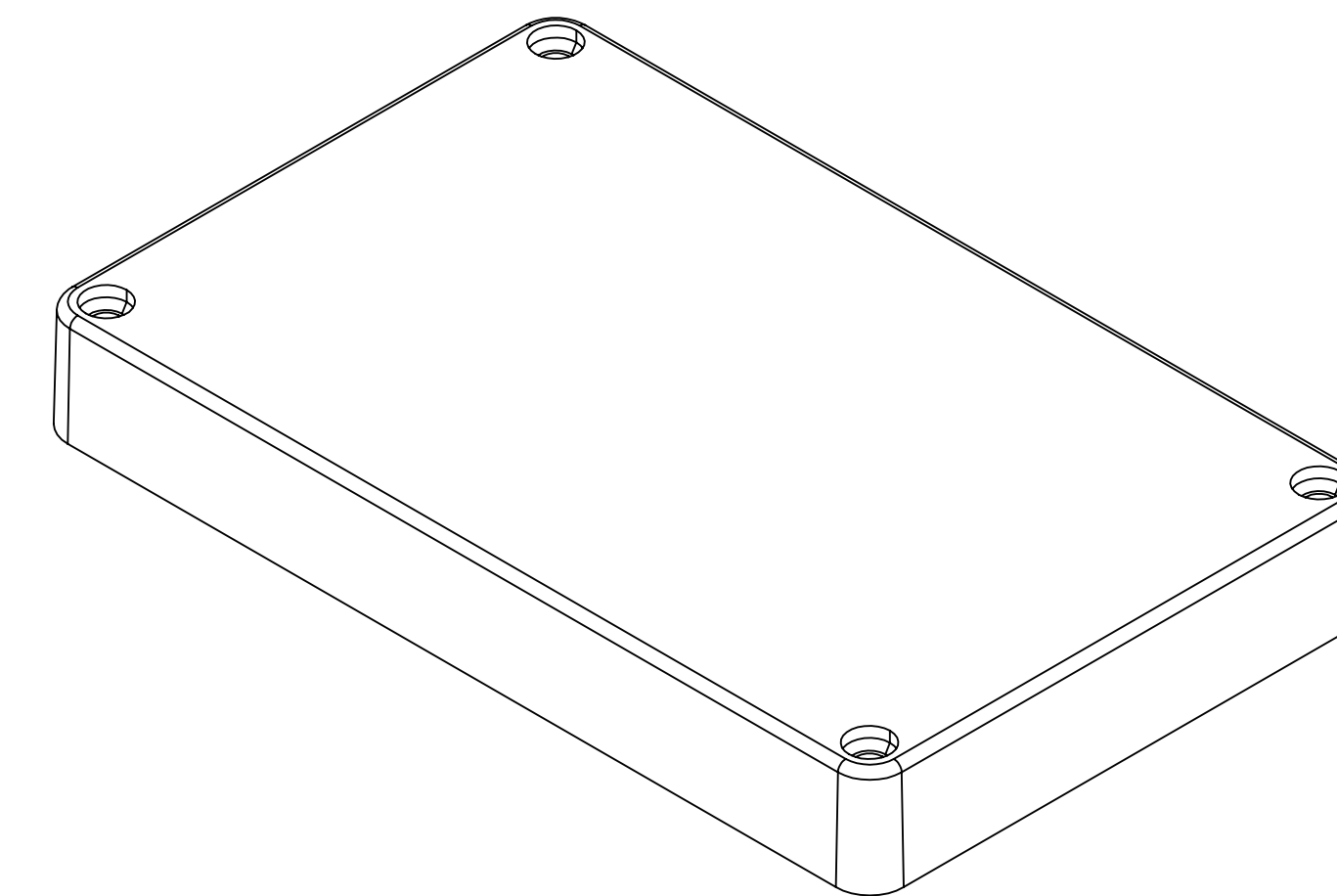
SURFACE-10



SURFACE-8

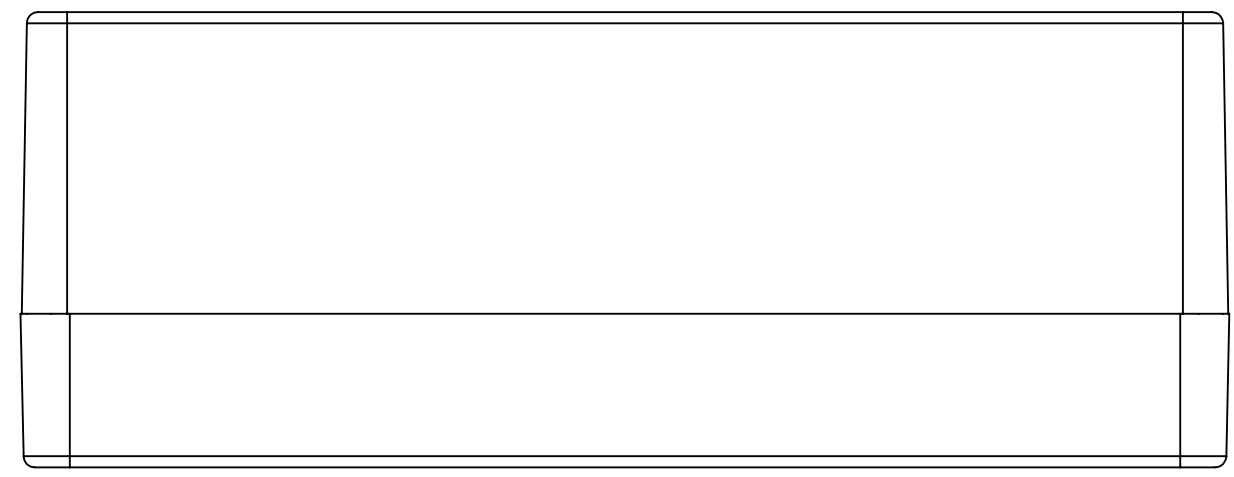


SURFACE-12 (INSIDE)

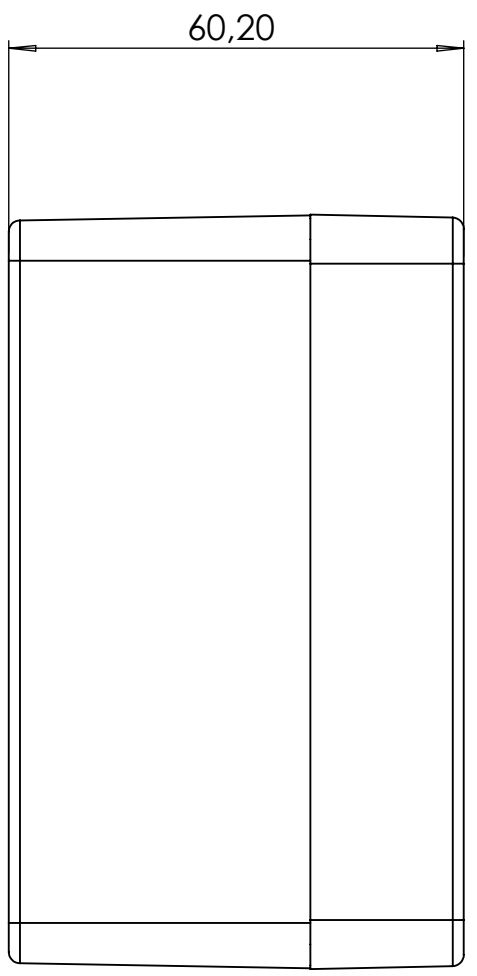


REV. NO	DATE	REVISED BY	DESCRIPTION OF CHANGE
 <b>ALTINKAYA</b> Electronic Enclosures & Components			<a href="http://www.altinkaya.com">www.altinkaya.com</a>
Customer Name:		Customer Ref. :	
Altinkaya Ref. :		Part Name: SE-325-0-0	
DRAWN	NAME	DATE	Drawn From :
CHECKED	Y.YEL	26.11.2024	Material :
DIMENSIONAL TOLERANCES UNLESS OTHERWISE SPECIFIED (DIN7168)			SCALE 1:1 SHEET 1 OF 2 UNIT: mm A0
0.5-3mm	3-6mm	6-30mm	30-120mm
±0.1	±0.1	±0.2	±0.3
			±0.5
			m (Medium)

**SE-325 IF MACHINED TOGETHER**



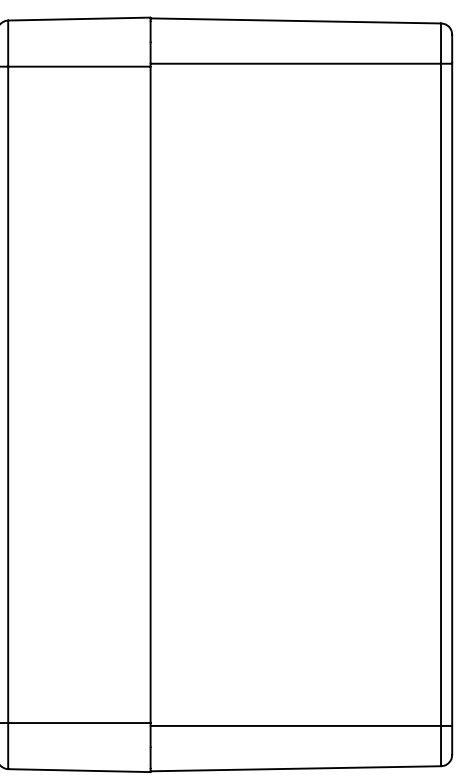
SURFACE-13



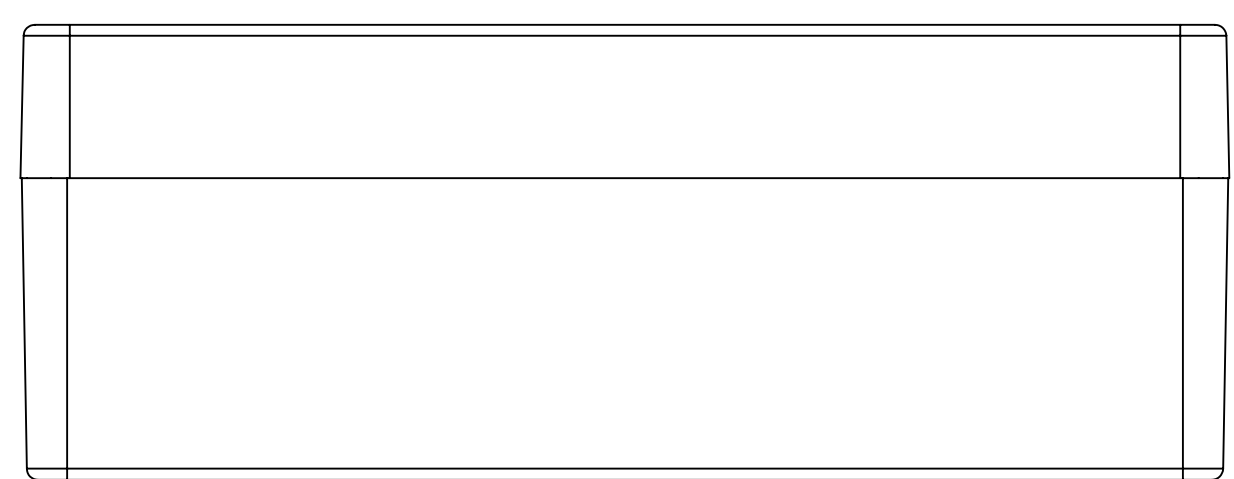
SURFACE-15



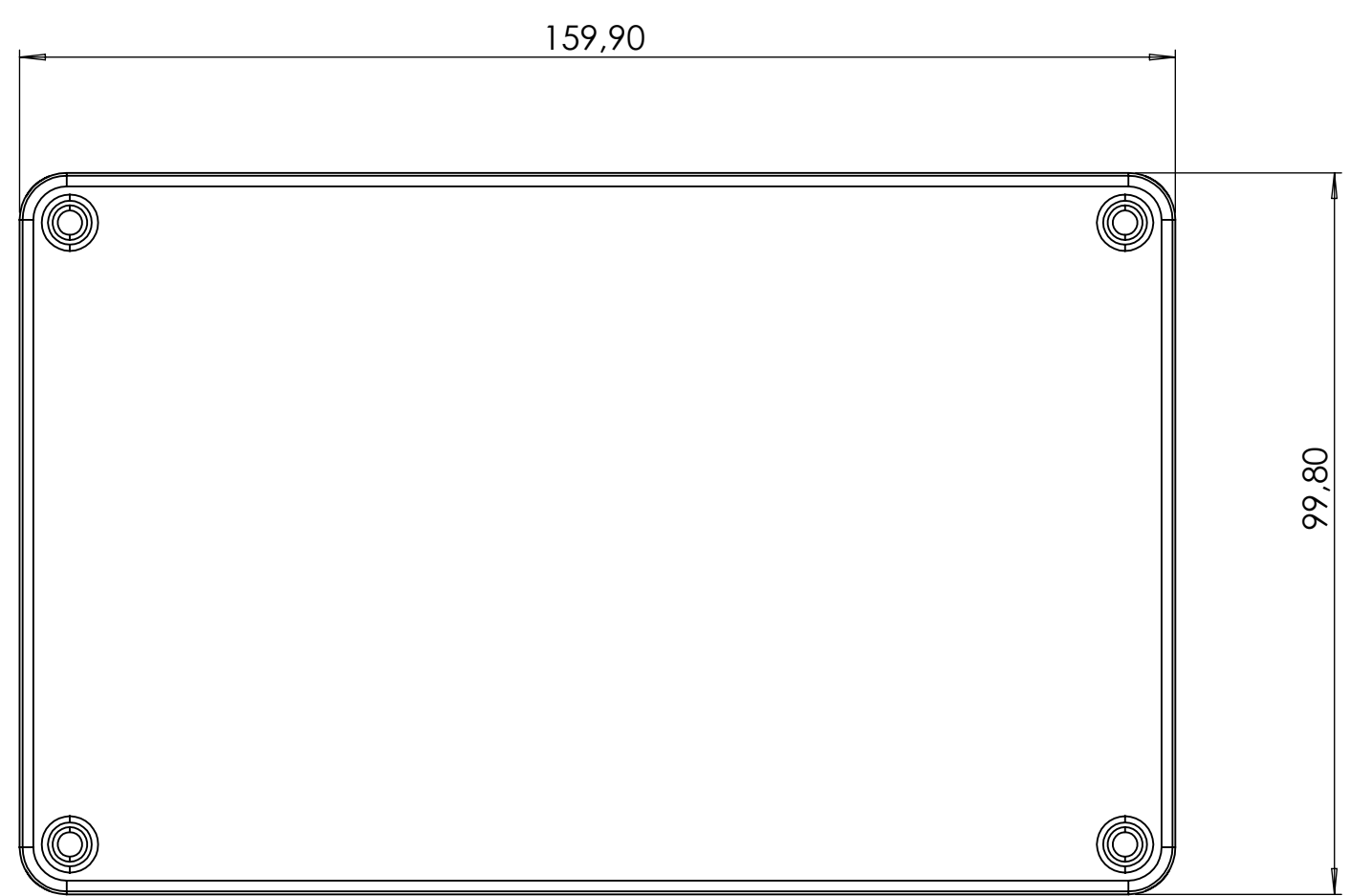
SURFACE-17



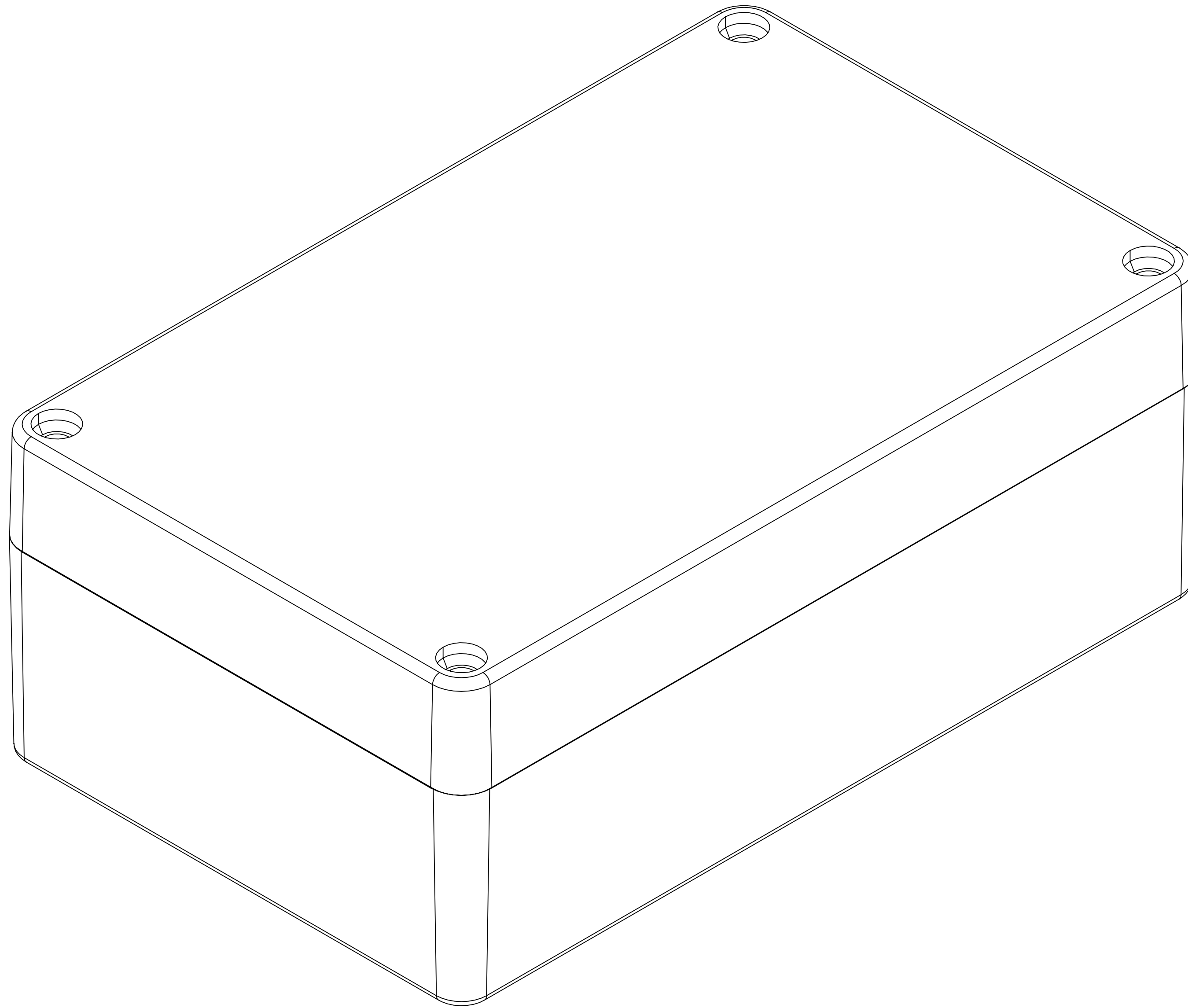
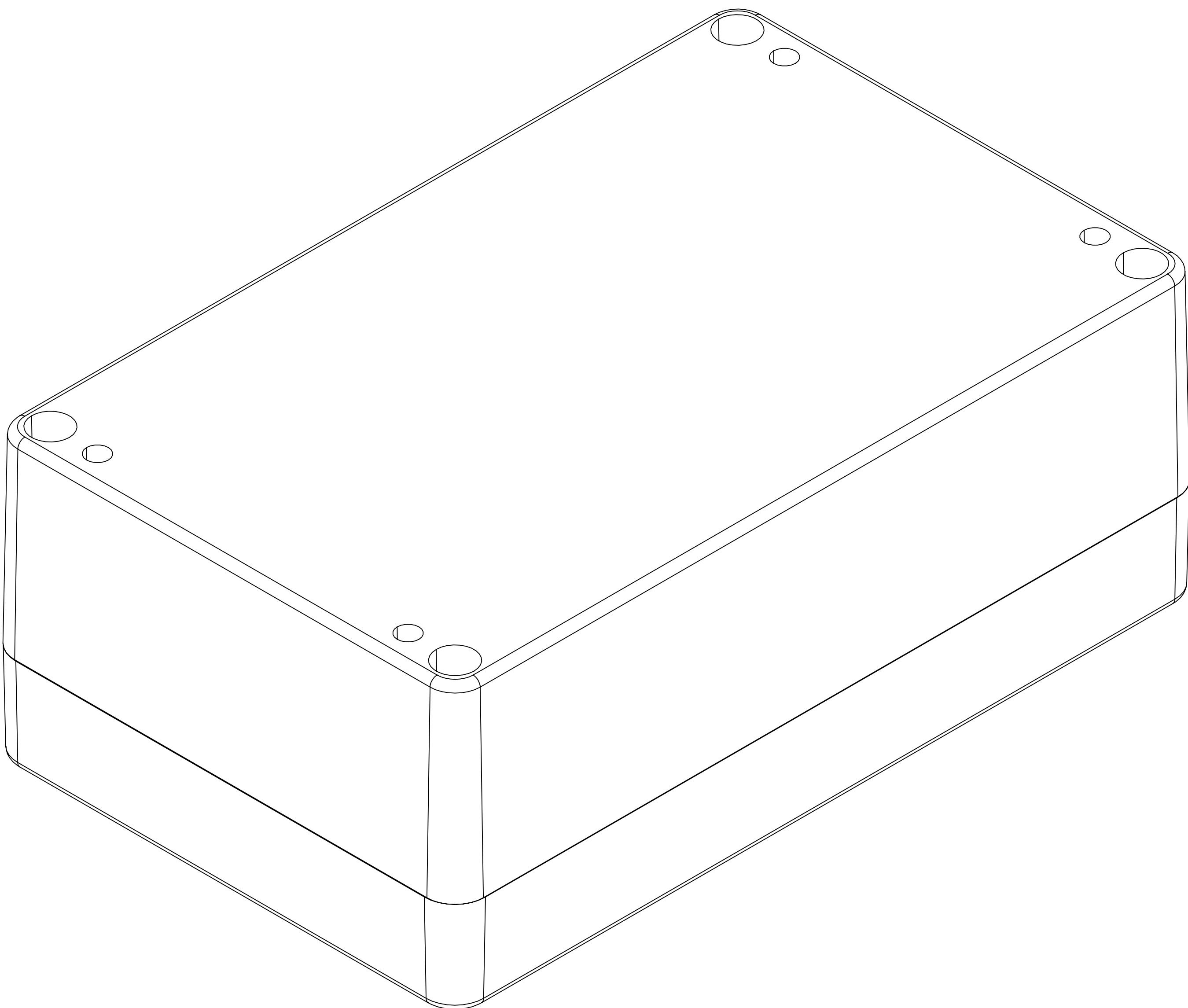
SURFACE-16




SURFACE-14



SURFACE-18



REV. NO	DATE	REVISED BY	DESCRIPTION OF CHANGE	
 <b>ALTINKAYA</b> Electronic Enclosures & Components			<a href="http://www.altinkaya.com">www.altinkaya.com</a>	
Customer Name:		Customer Ref. :		
Altinkaya Ref. :		Part Name: SE-325-0-0		
DRAWN	NAME	DATE	Drawn From :	SCALE 1:1
CHECKED	Y.YEL	26.11.2024	Weight :	SHEET 2 OF 2
DIMENSIONAL TOLERANCES UNLESS OTHERWISE SPECIFIED (DIN7168)		0.5-3mm	3-6mm	6-30mm
		±0.1	±0.1	±0.2
			±0.3	±0.5
				±0.5
				m (Medium)
				UNIT: mm
				A0