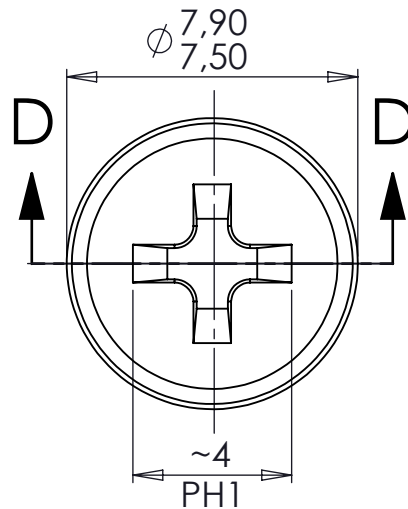



KESIT D-D



REV. NO	DATE	REVISED BY	DESCRIPTION OF CHANGE
			www.altinkaya.com
Customer Name:		Customer Ref.:	
Altinkaya Ref.: PS-401-12-0-N-0		Part Name: M4 Plastic Screw	
DRAWN: S.YESILOZ		DATE: 10.01.2025	
CHECKED: Y.YEL		DATE: 10.01.2025	
MATERIAL: PA6 %30GF		WEIGHT: g	
DIMENSIONAL TOLERANCES UNLESS OTHERWISE SPECIFIED (DIN7168)		UNIT: mm	
0,5-3mm	±0,1	3-6mm	±0,1
6-30mm	±0,2	30-120mm	±0,3
120-400mm	±0,5	m (medium)	
SCALE: 5:1			SHEET 1 OF 1

A4