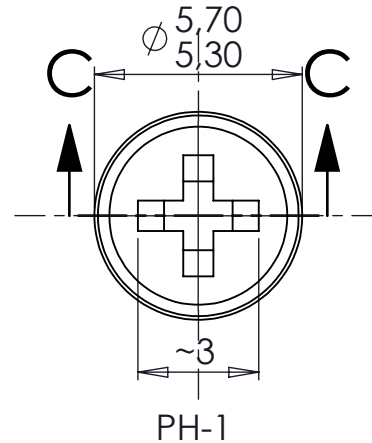



KESIT C-C



REV. NO	DATE	REVISED BY	DESCRIPTION OF CHANGE				
			www.altinkaya.com				
Customer Name:		Customer Ref.:					
Altinkaya Ref.: PS-300-16-0-N-0		Part Name : M3 Plastic Screw					
DRAWN	NAME	DATE	Drawn From:				
CHECKED	Y.YEL	10.01.2025	Material : PA6 %30GF		UNIT : mm		
DIMENSIONAL TOLERANCES UNLESS OTHERWISE SPECIFIED (DIN7168)		0,5-3mm	3-6mm	6-30mm	30-120mm	120-400mm	Dimension (mm)
		±0,1	±0,1	±0,2	±0,3	±0,5	m (medium)
		WEIGHT: g				A4	
		SCALE:5:1		SHEET 1 OF 1			