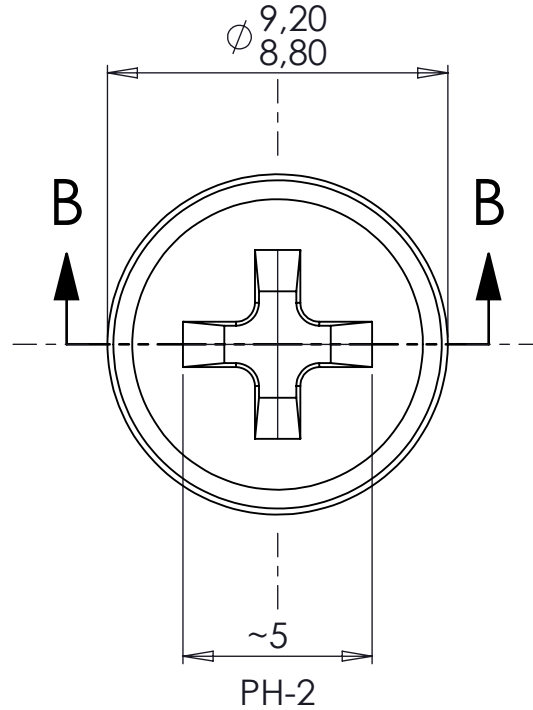



KESIT B-B



REV. NO	DATE	REVISED BY	DESCRIPTION OF CHANGE				
			www.altinkaya.com				
Customer Name:		Customer Ref.:					
Altinkaya Ref.: PS-501-06-0-N-0		Part Name : M5 Plastic Screw					
DRAWN		NAME	DATE	Drawn From:			
CHECKED		Y.YEL	2.12.2024	Material : PA6 %30GF			
DIMENSIONAL TOLERANCES UNLESS OTHERWISE SPECIFIED (DIN7168)		0.5-3mm	3-6mm	6-30mm	30-120mm	120-400mm	UNIT : mm
		±0.1	±0.1	±0.2	±0.3	±0.5	m (medium)
SCALE:5:1						SHEET 1 OF 1	

A4

