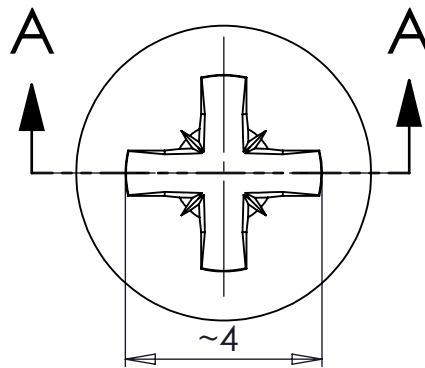



KESIT A-A



PZ2

REV. NO	DATE	REVISED BY	DESCRIPTION OF CHANGE
			www.altinkaya.com
Customer Name:		Customer Ref.:	
Altinkaya Ref.: A-684-0-0-M-0		Part Name : M3.5x12 mm YHB Stainless Screw	
DRAWN		DATE	Drawn From:
S.YESILOZ		20.11.2024	Material : Metallic Pasivasyon over 304 Cu. Stainless (1.4567)
CHECKED	Y.YEL	20.11.2024	WEIGHT: 0.47 g
DIMENSIONAL TOLERANCES UNLESS OTHERWISE SPECIFIED (DIN7168)		0,5-3mm	3-6mm
		6-30mm	30-120mm
		120-400mm	Dimension (mm)
		±0,1	±0,1
		±0,2	±0,3
		±0,3	±0,5
		m (medium)	

A4