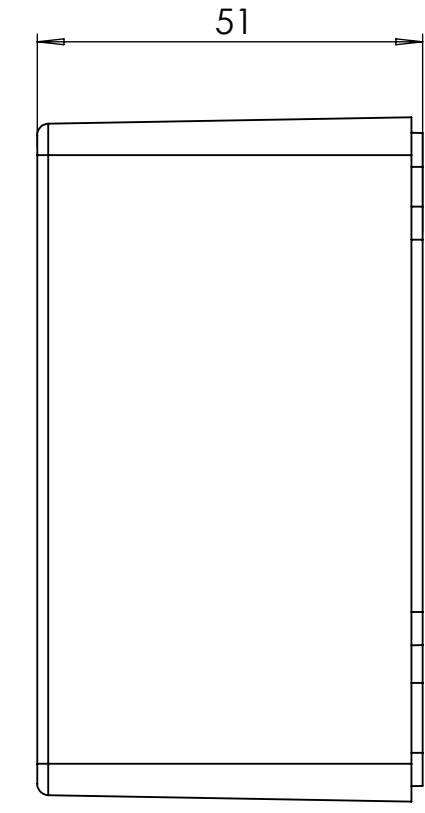


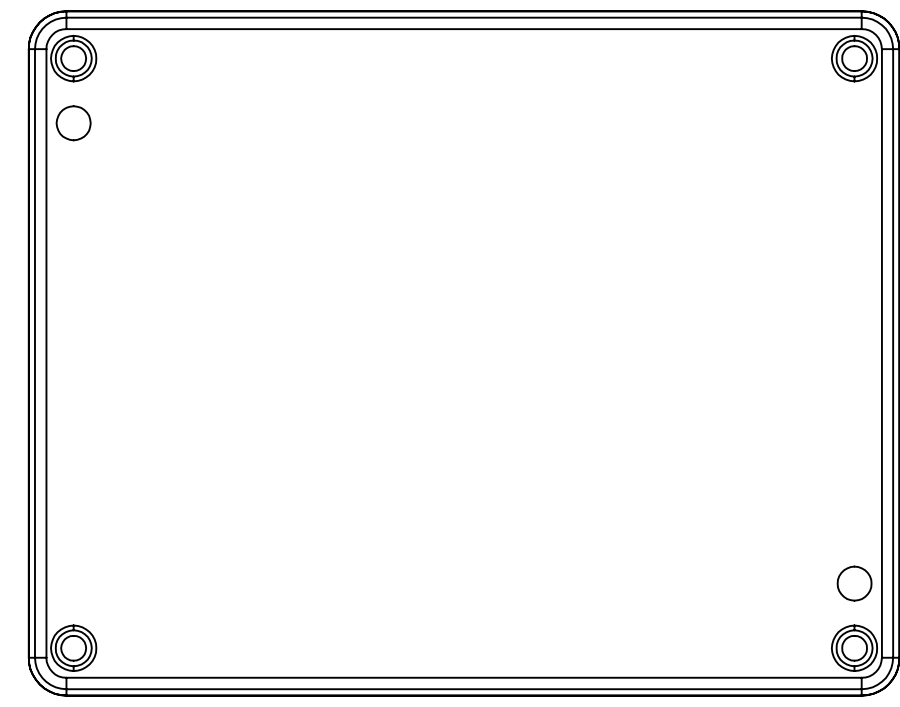
BASE: 6 SURFACE



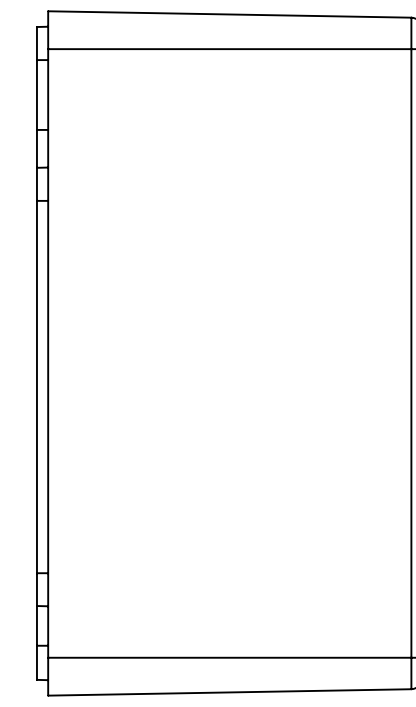
SURFACE-1



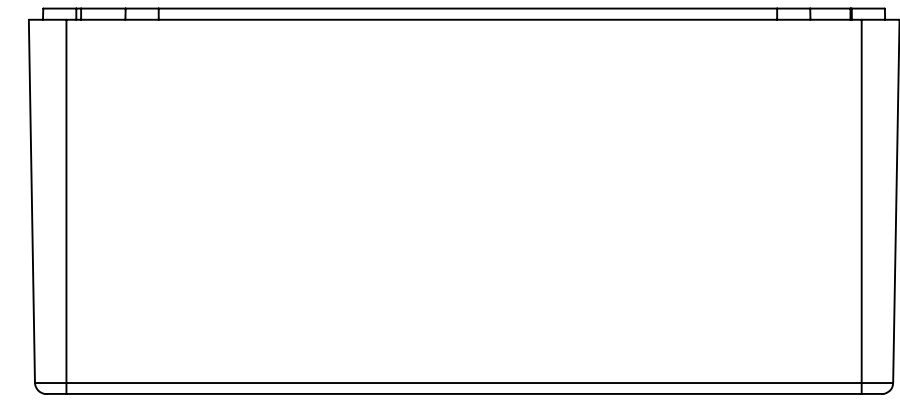
SURFACE-3



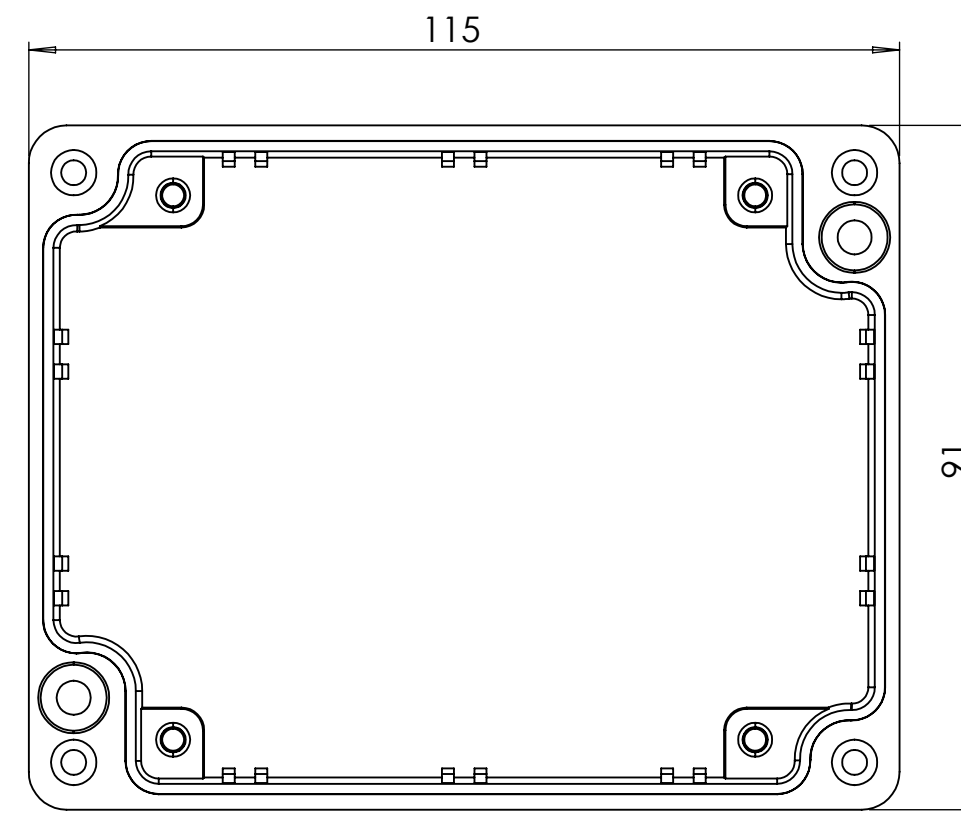
SURFACE-5



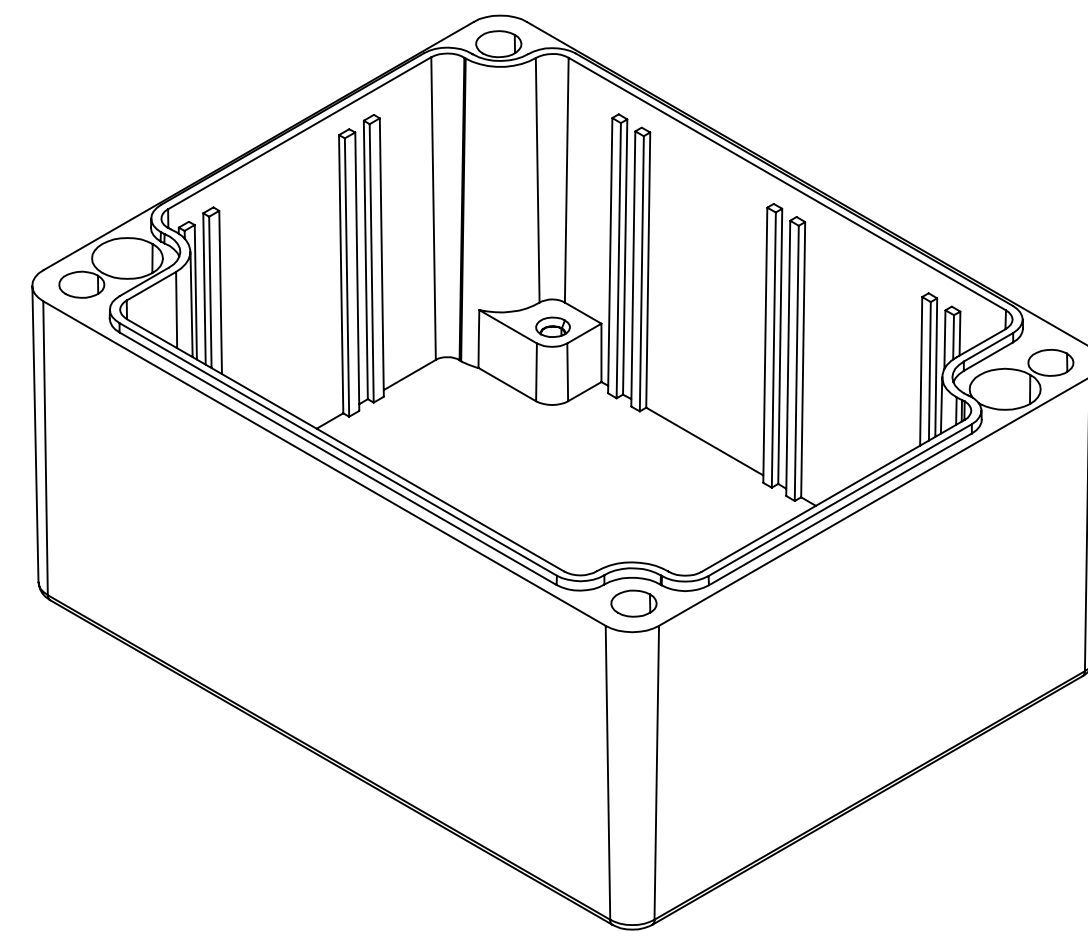
SURFACE-4



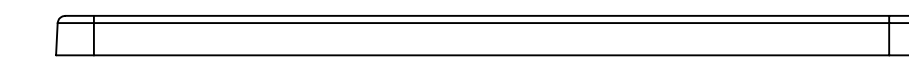
SURFACE-2



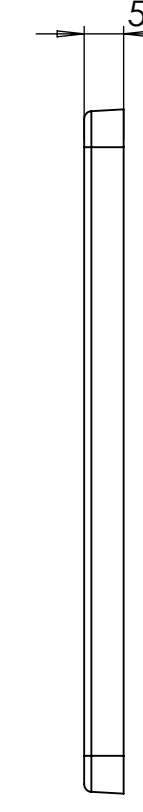
SURFACE-6 (INSIDE)



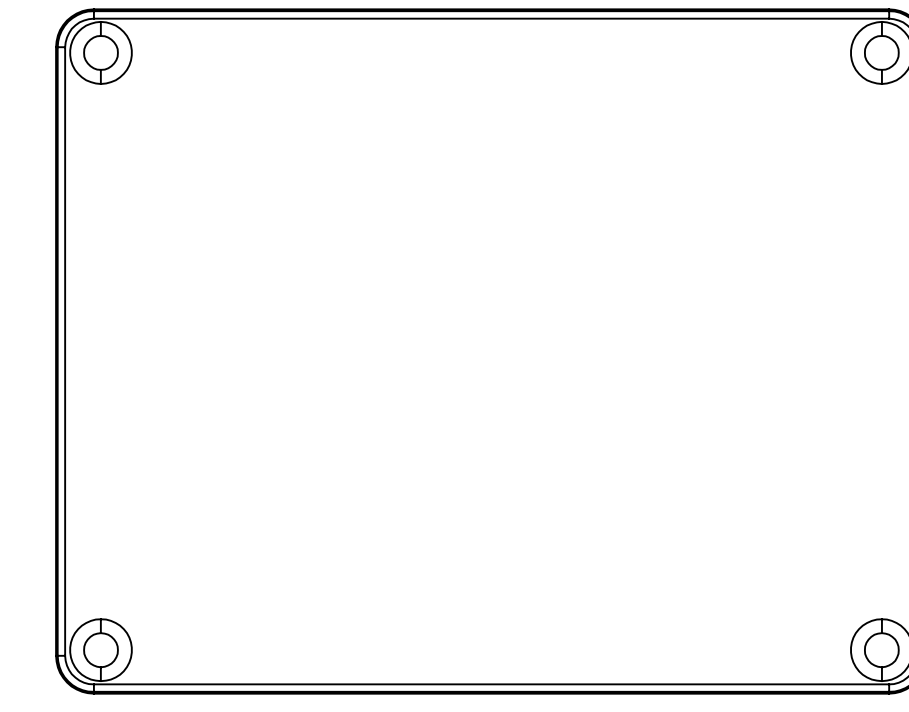
COVER: 6 SURFACE



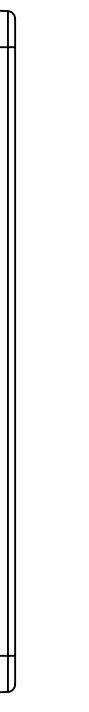
SURFACE-7



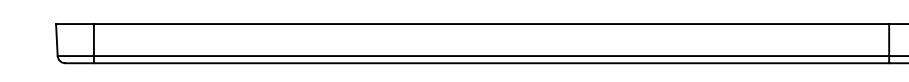
SURFACE-9



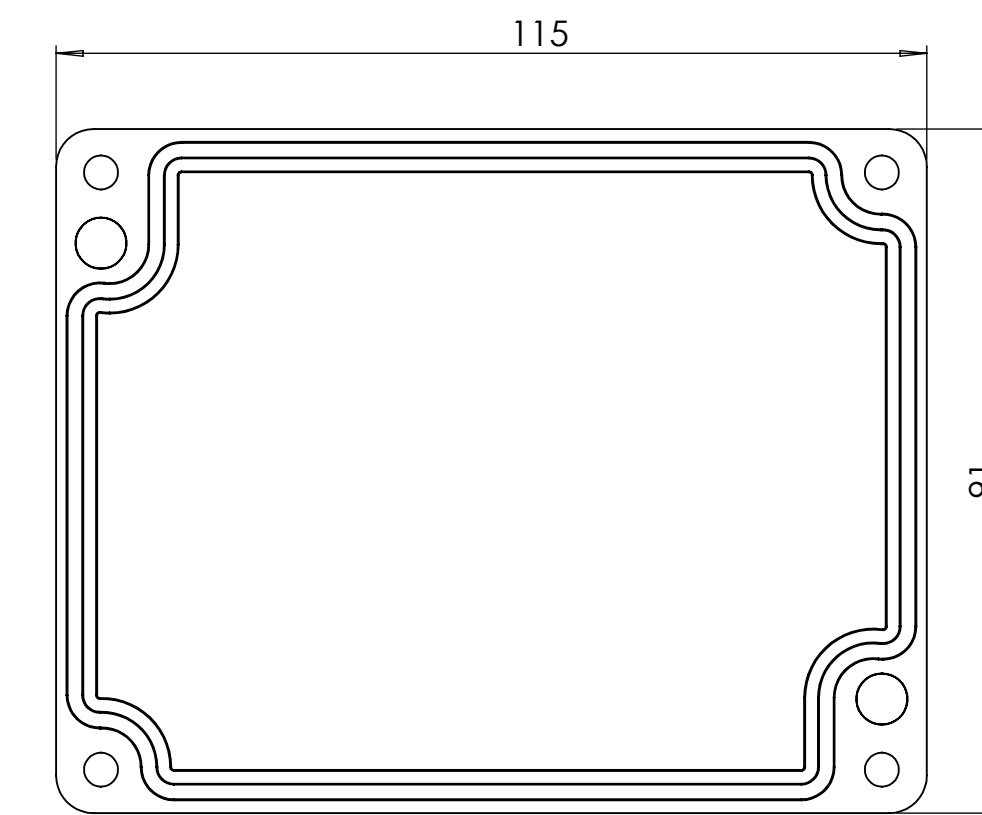
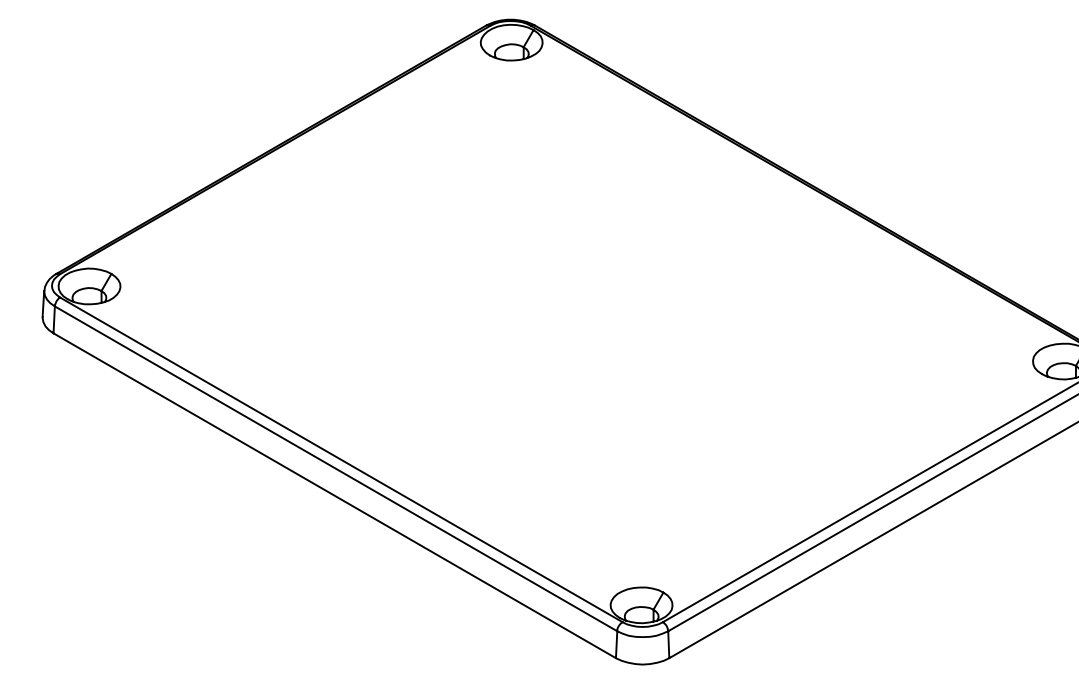
SURFACE-11




SURFACE-10



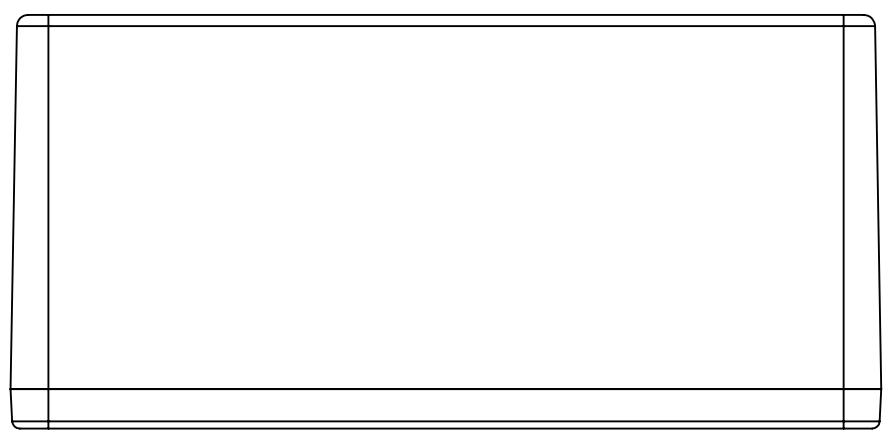
SURFACE-8



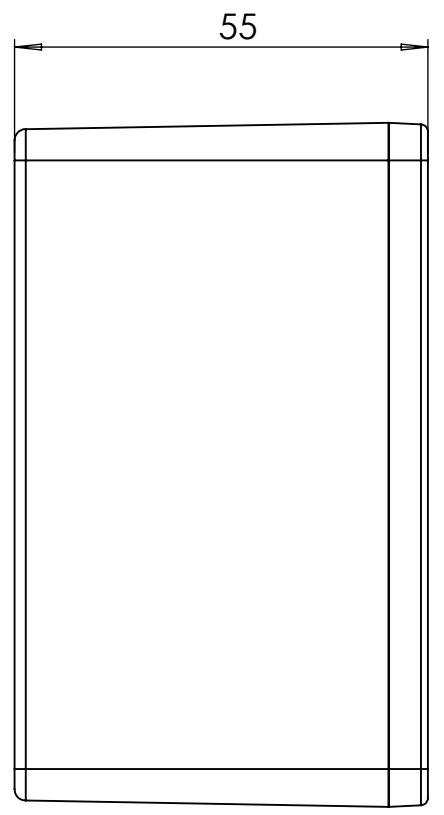
SURFACE-12 (INSIDE)

REV. NO	DATE	REVISED BY	DESCRIPTION OF CHANGE
 ALTINKAYA Electronic Enclosures & Components			www.altinkaya.com
Customer Name:		Customer Ref.:	
Altinkaya Ref.:		Part Name: SE-319-0-0	
DRAWN	NAME	DATE	Drawn From:
CHECKED	Y.YEL	26.11.2024	Material:
DIMENSIONAL TOLERANCES UNLESS OTHERWISE SPECIFIED (DIN7168)			SCALE 1:1 SHEET 01 OF 2
0.5-3mm	3-6mm	6-30mm	30-120mm
±0.1	±0.1	±0.2	±0.3
UNITS: mm			Dimension (mm)
			±0.5
			m (Medium)
			A0

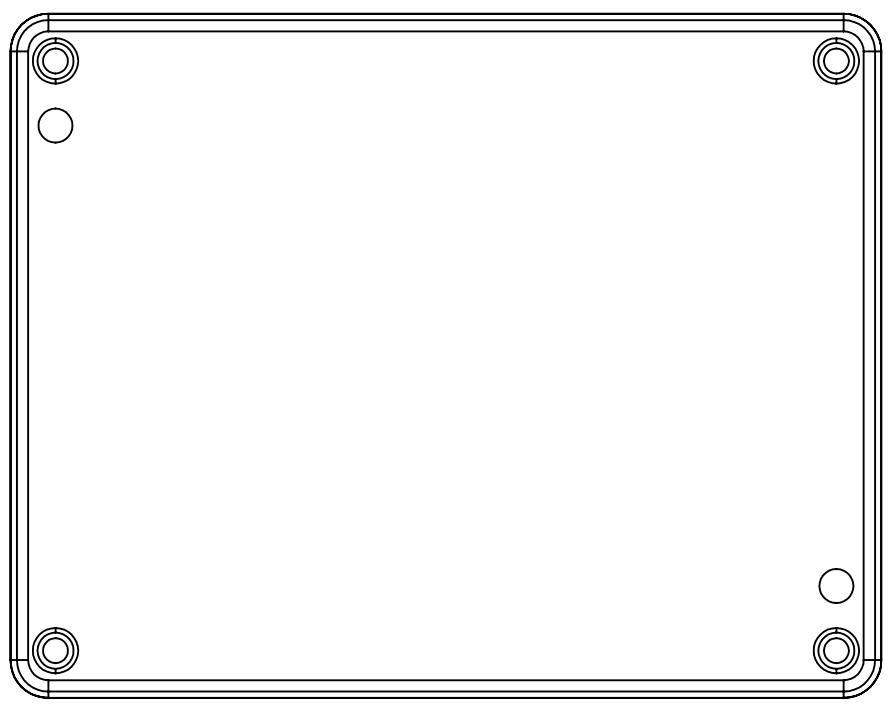
SE-319 IF MACHINED TOGETHER



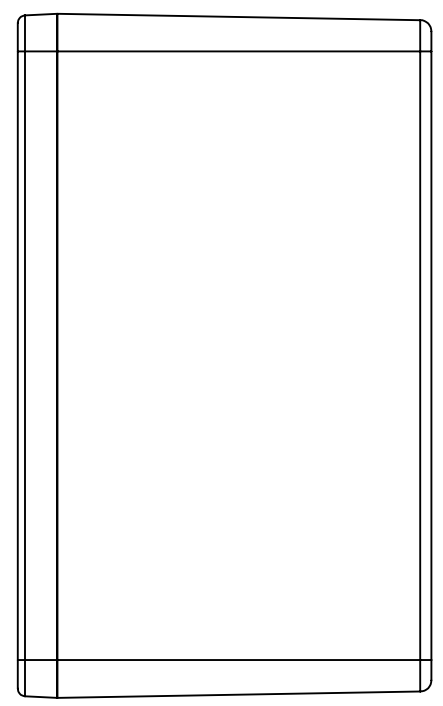
SURFACE-13



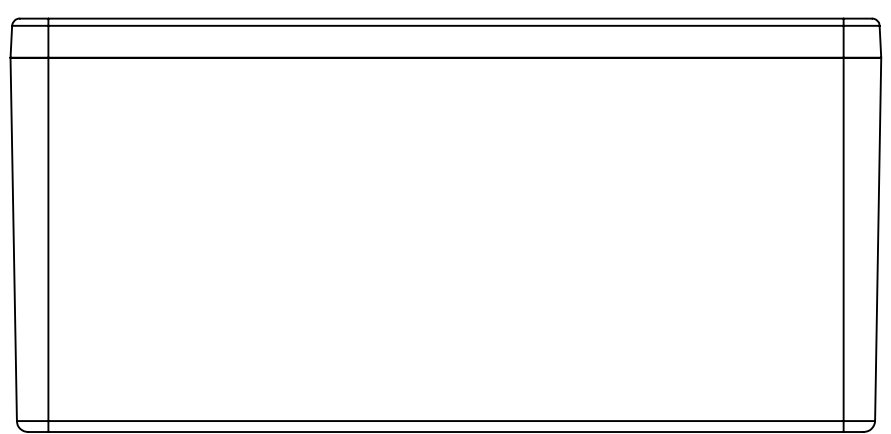
SURFACE-15



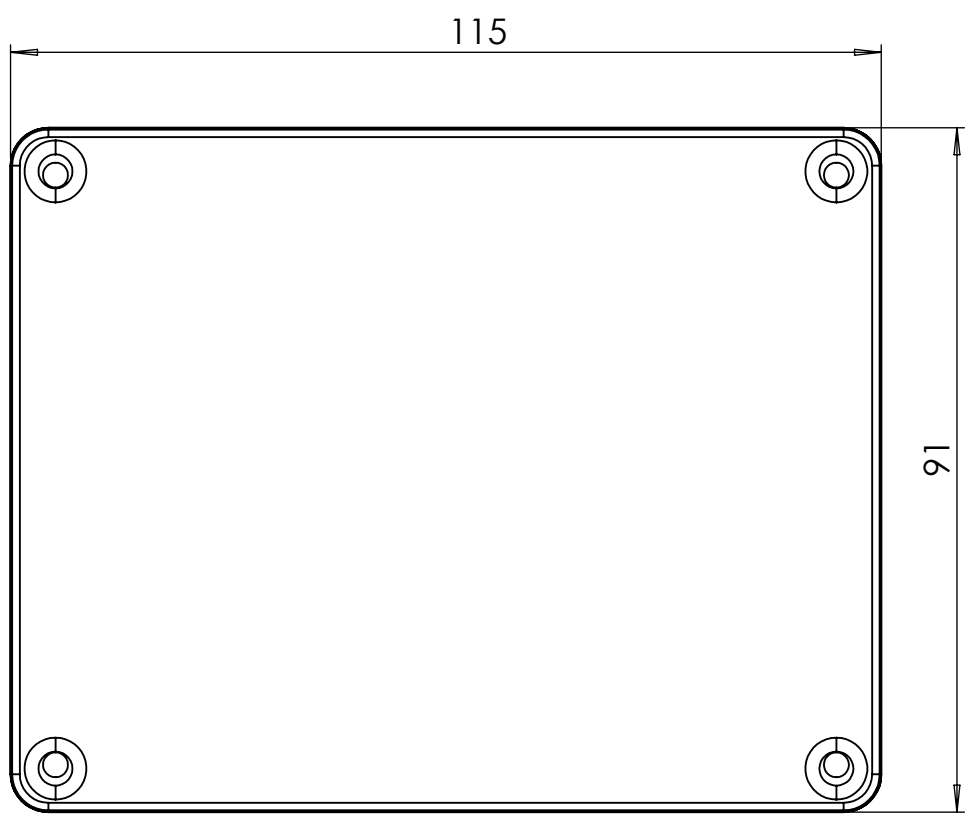
SURFACE-17



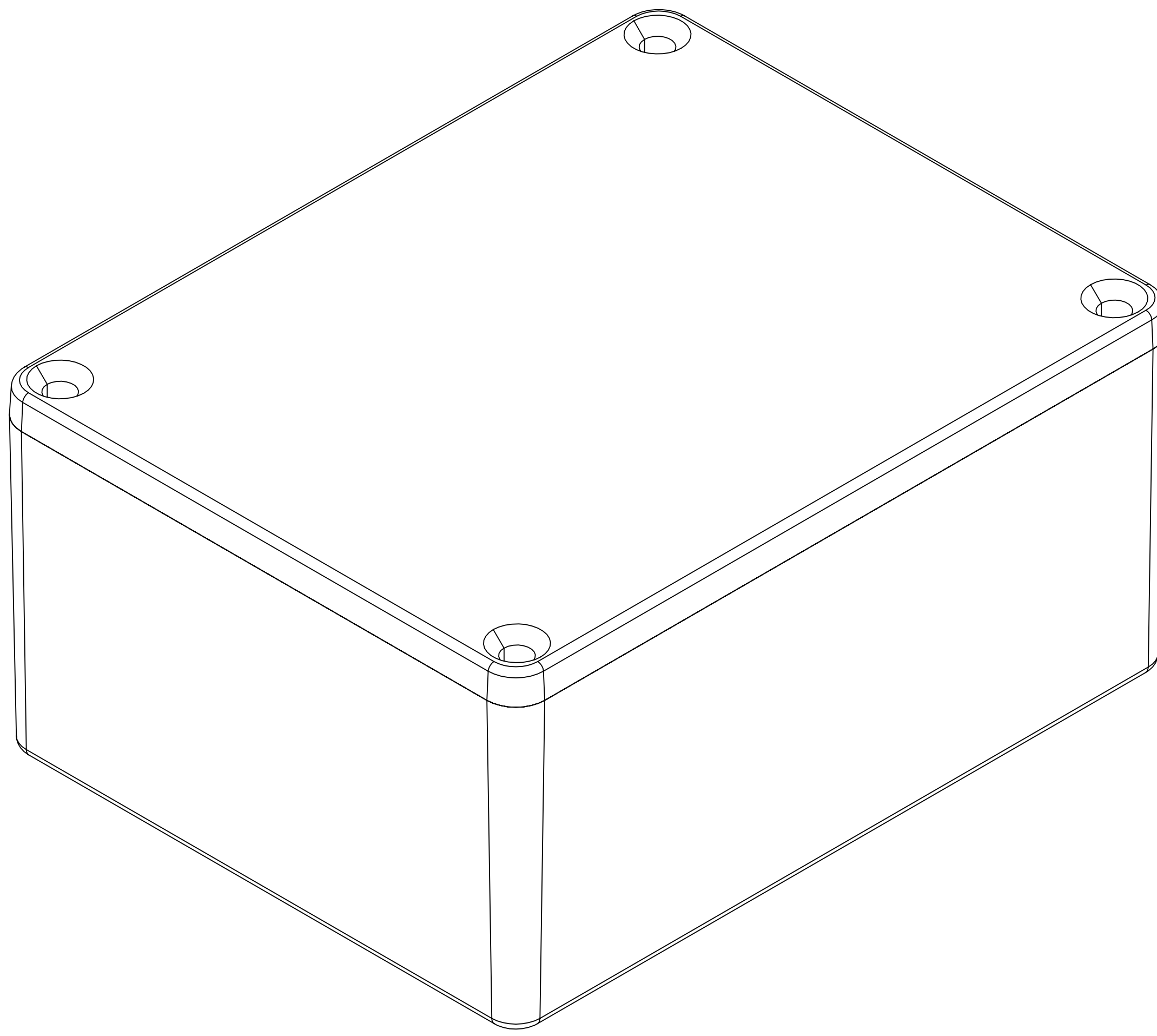
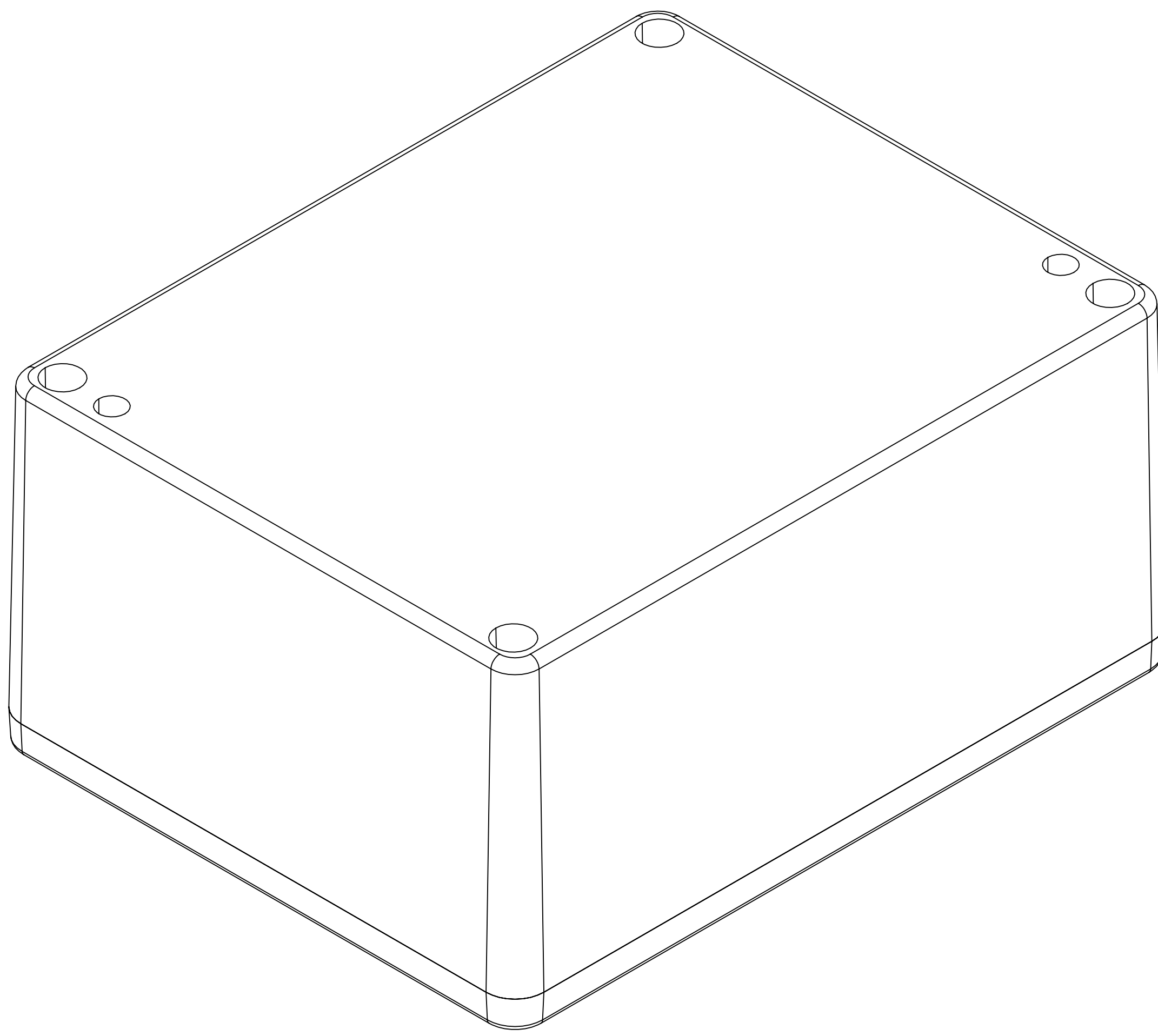
SURFACE-16




SURFACE-14



SURFACE-18



REV. NO	DATE	REVISED BY	DESCRIPTION OF CHANGE
 ALTINKAYA Electronic Enclosures & Components			
Customer Name:		Customer Ref.:	
Altinkaya Ref.:		Part Name: SE-319-0-0	
DRAWN	NAME	DATE	Drawn From:
CHECKED	Y.YEL	26.11.2024	Material:
DIMENSIONAL TOLERANCES UNLESS OTHERWISE SPECIFIED (DIN7168)			SCALE 1:1 SHEET 2 OF 2
±0.1	±0.1	±0.2	Weight:
±0.3	±0.5	±0.5	UNIT: mm
±0.5	±0.5	±0.5	Dimension (mm)
±0.5	±0.5	±0.5	UNIT: mm
±0.5	±0.5	±0.5	Dimension (mm)
±0.5	±0.5	±0.5	UNIT: mm
±0.5	±0.5	±0.5	Dimension (mm)