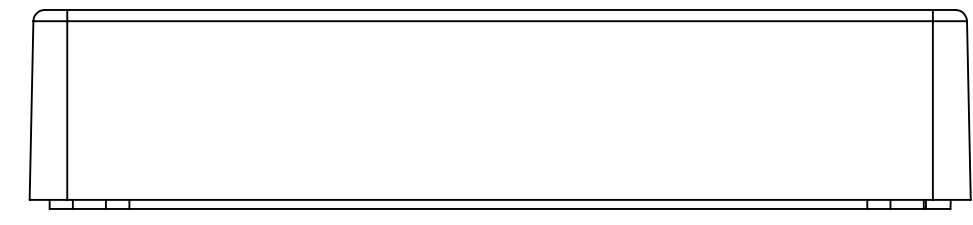
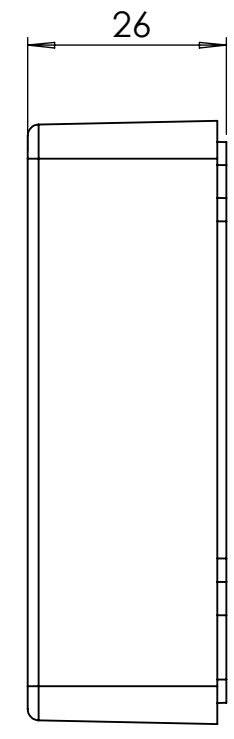


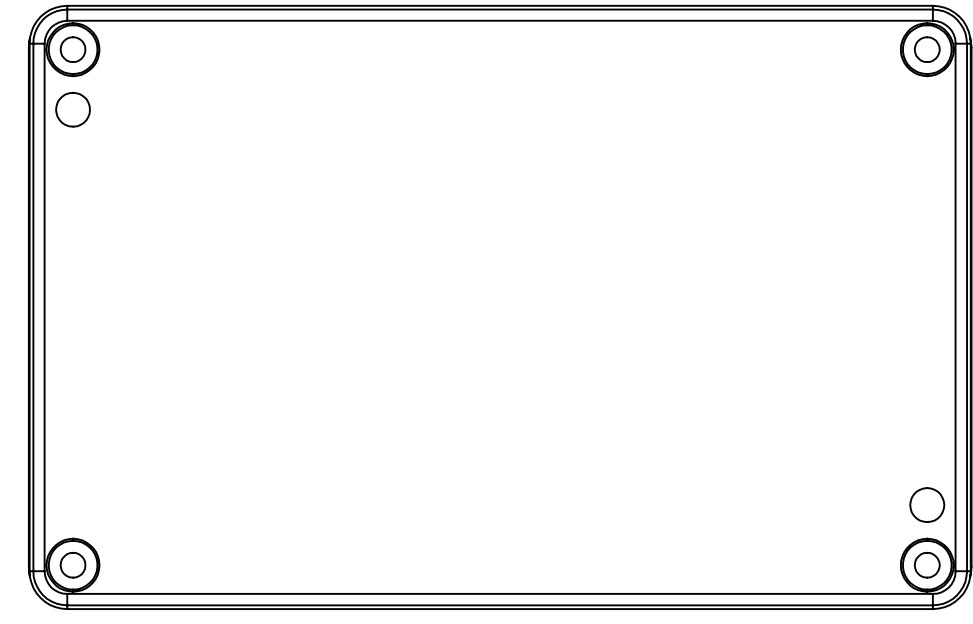
**BASE: 6 SURFACE**



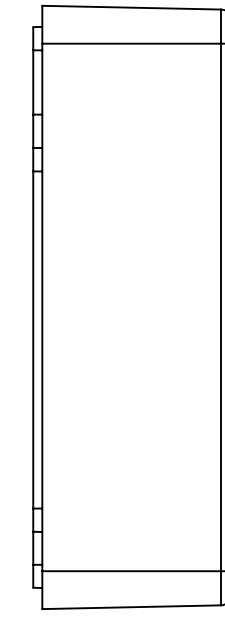
SURFACE-1



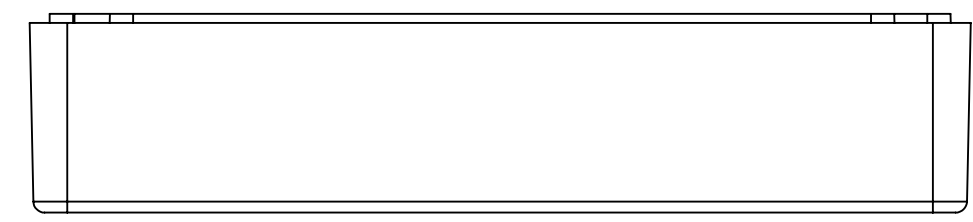
SURFACE-3



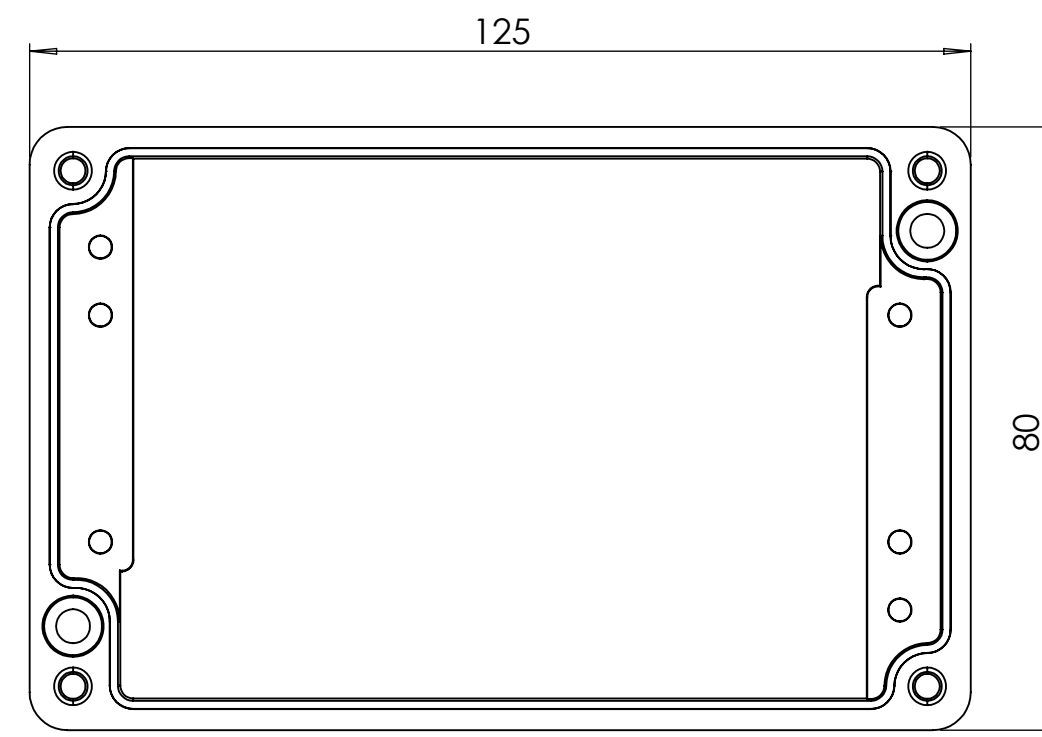
SURFACE-5



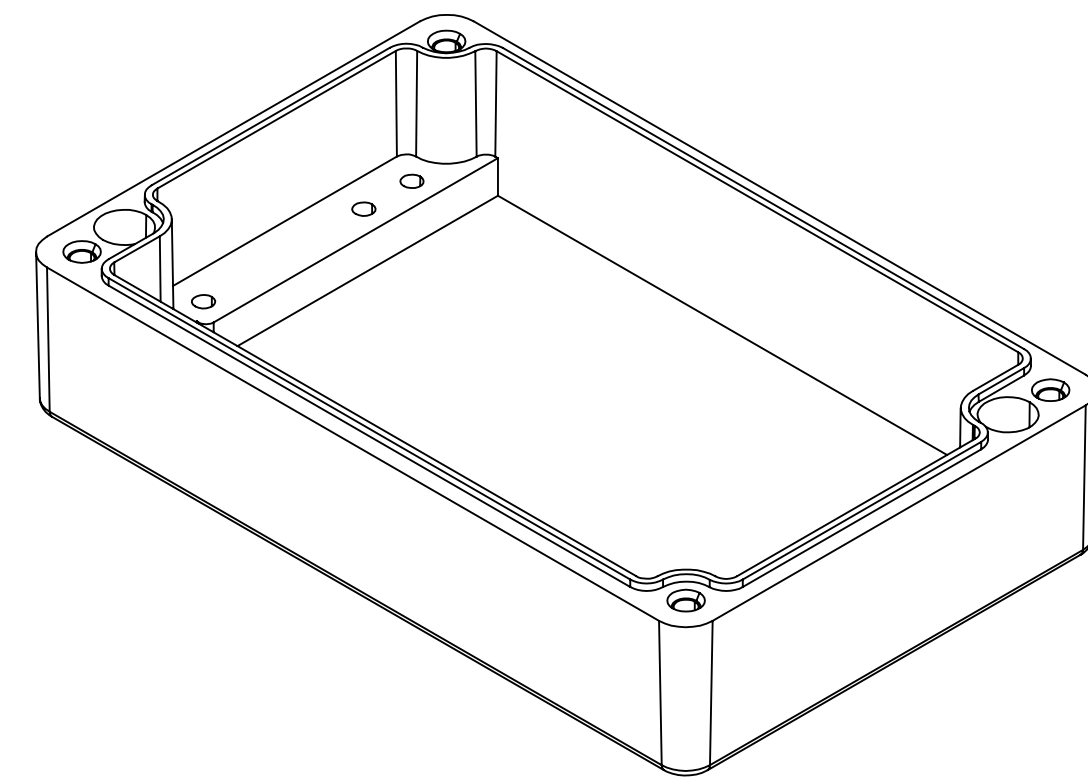
SURFACE-4



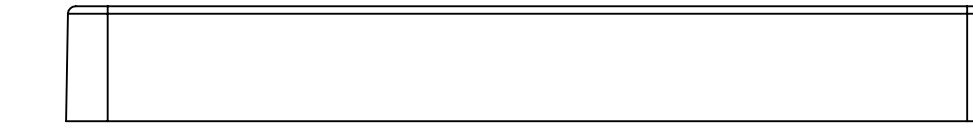
SURFACE-2



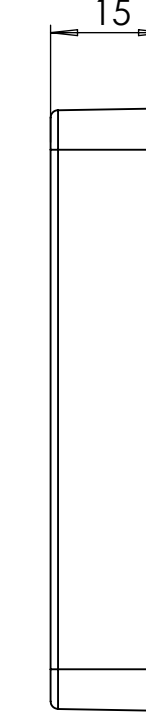
SURFACE-6 (INSIDE)



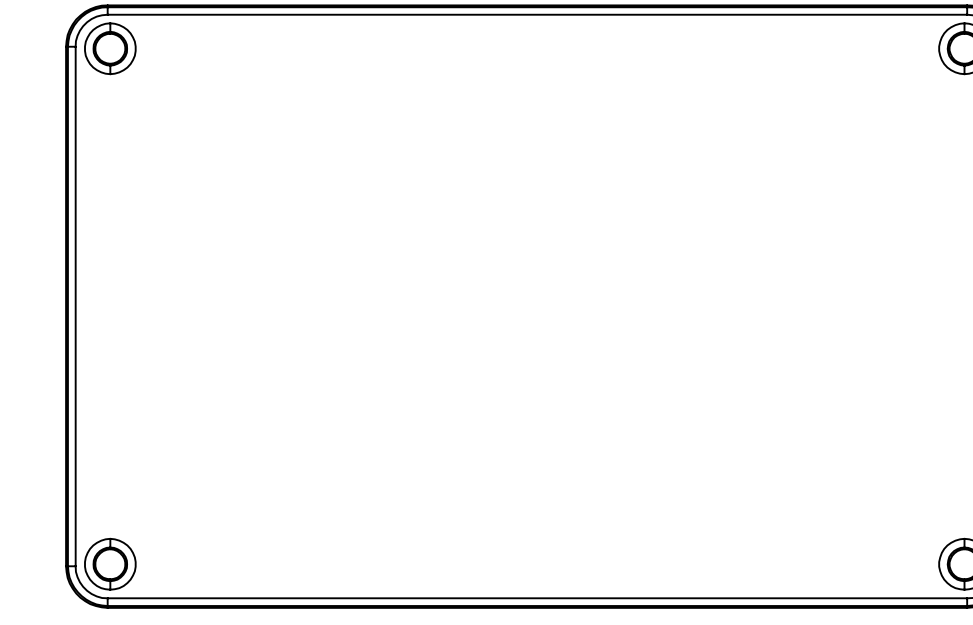
**COVER: 6 SURFACE**



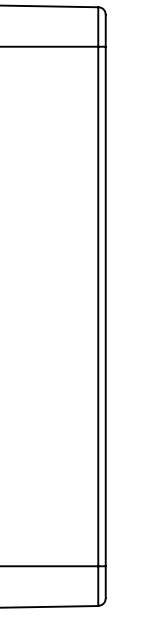
SURFACE-7



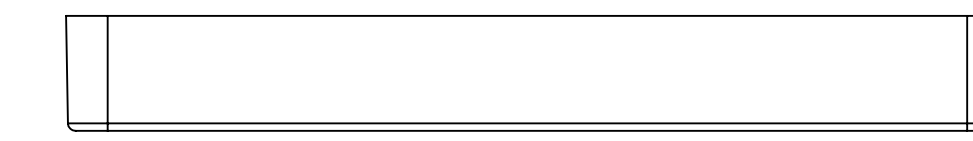
SURFACE-9



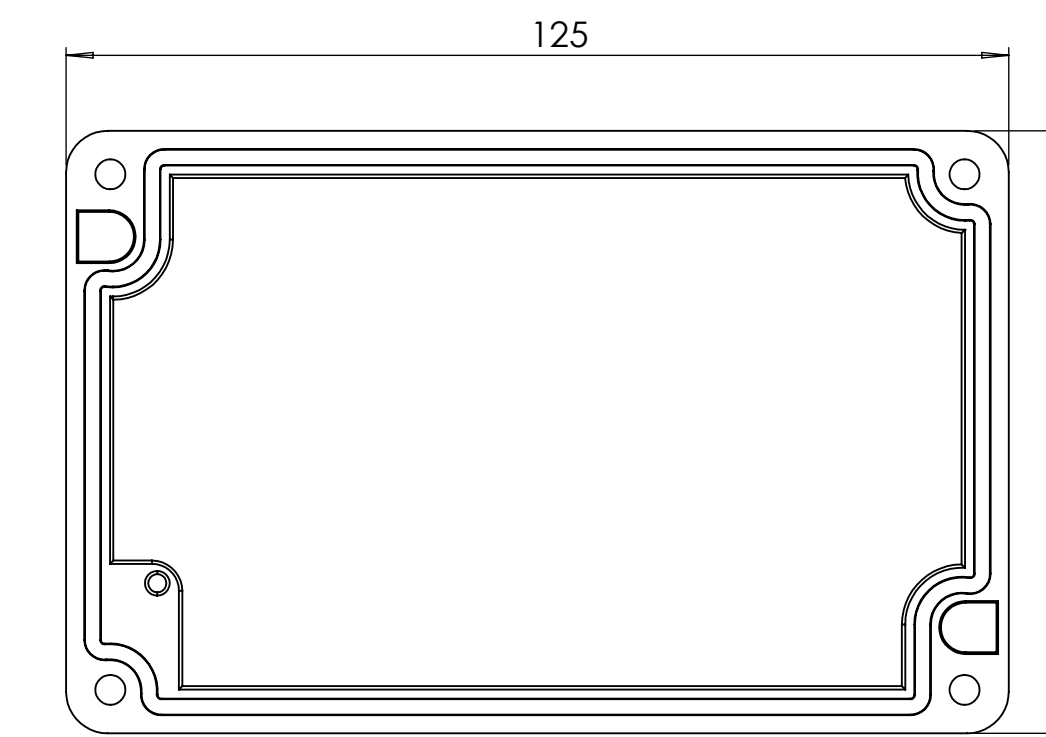
SURFACE-11



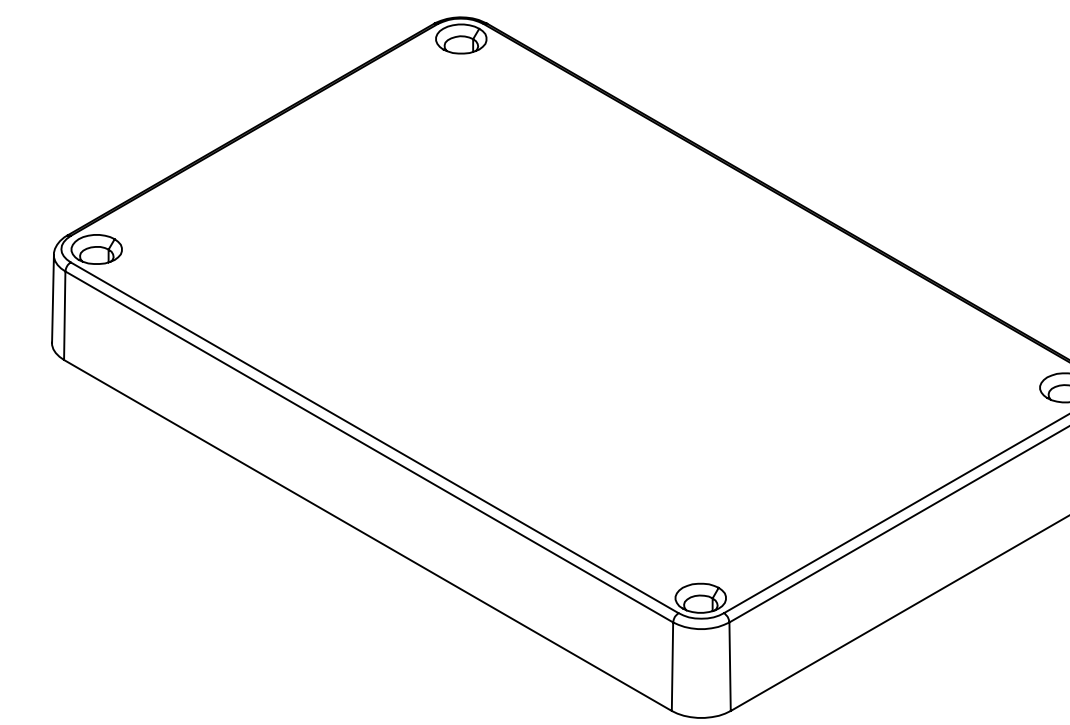
SURFACE-10



SURFACE-8

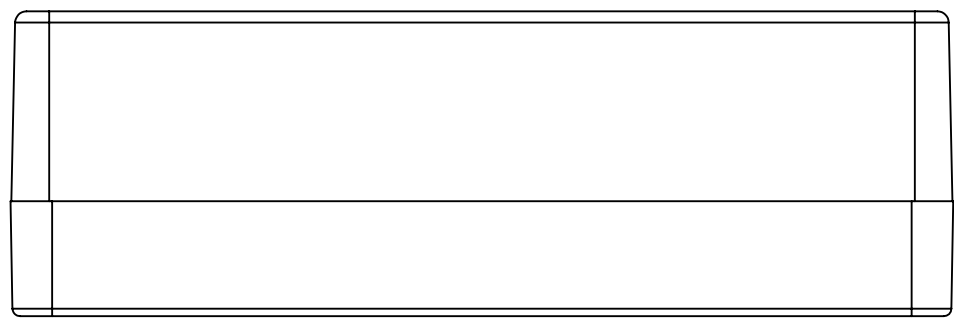


SURFACE-12 (INSIDE)

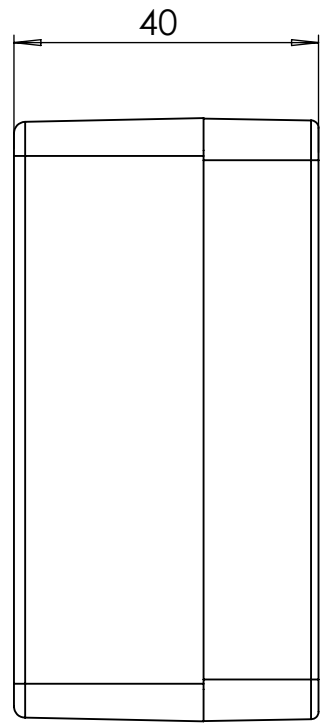


| REV. NO  | DATE       | REVISED BY            | DESCRIPTION OF CHANGE |
|--|------------|-----------------------|-----------------------|
|  <b>ALTINKAYA</b><br>Electronic Enclosures & Components |            |                       |                       |
| Customer Name:   |            | Customer Ref.:        |                       |
| Altinkaya Ref.:  |            | Part Name: SE-315-0-0 |                       |
| NAME   | DATE       | Drawn From:           | SCALE 1:1             |
| DRAWN<br>S.YEŞİLOZ   | 25.11.2024 | Material:             | SHEET 1 OF 2          |
| CHECKED<br>Y.YEL   | 25.11.2024 | Weight:               | UNIT: mm              |
| DIMENSIONAL TOLERANCES UNLESS OTHERWISE SPECIFIED (DIN7168)  |            | 0.5-3mm               | ±0.1                  |
|  |            | 3-6mm                 | ±0.1                  |
|  |            | 6-30mm                | ±0.2                  |
|  |            | 30-120mm              | ±0.3                  |
|  |            | 120-400mm             | ±0.5                  |
|  |            | Dimension (mm)        | AO                    |
|  |            |                       | m (Medium)            |

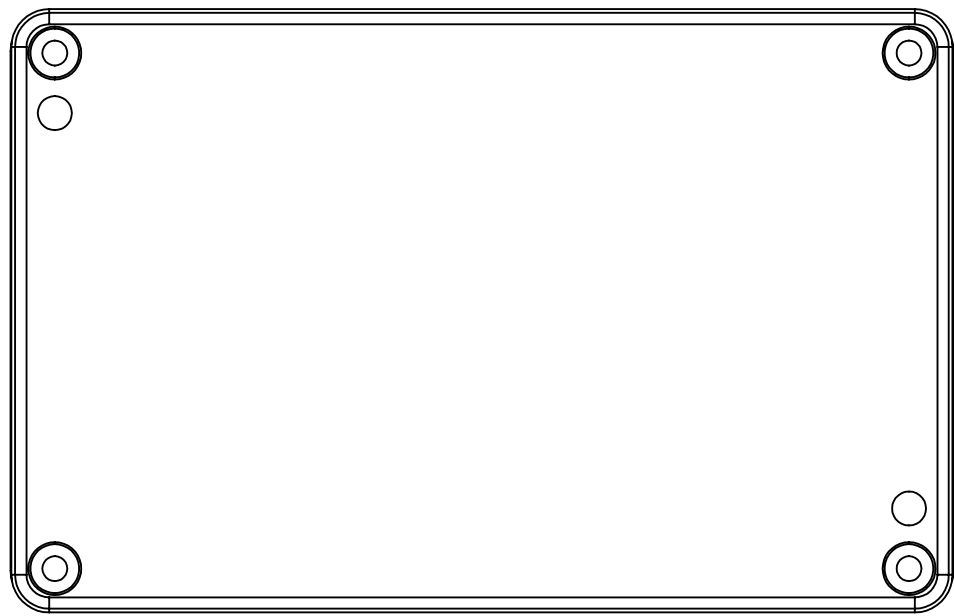
**SE-315 IF MACHINED TOGETHER**



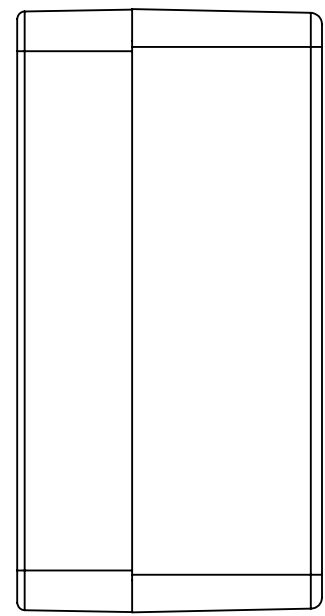
SURFACE-13



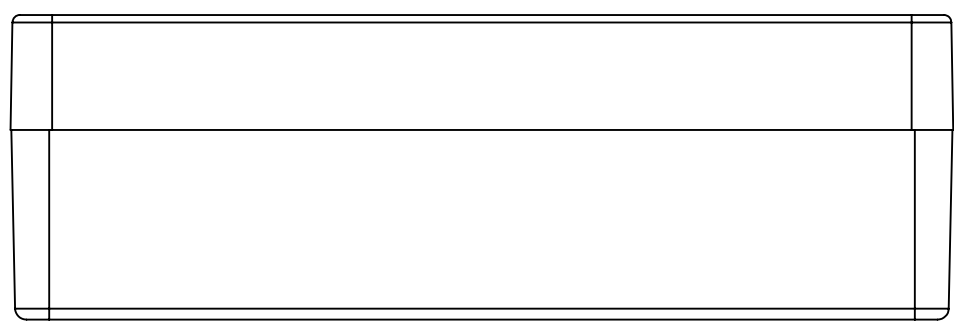
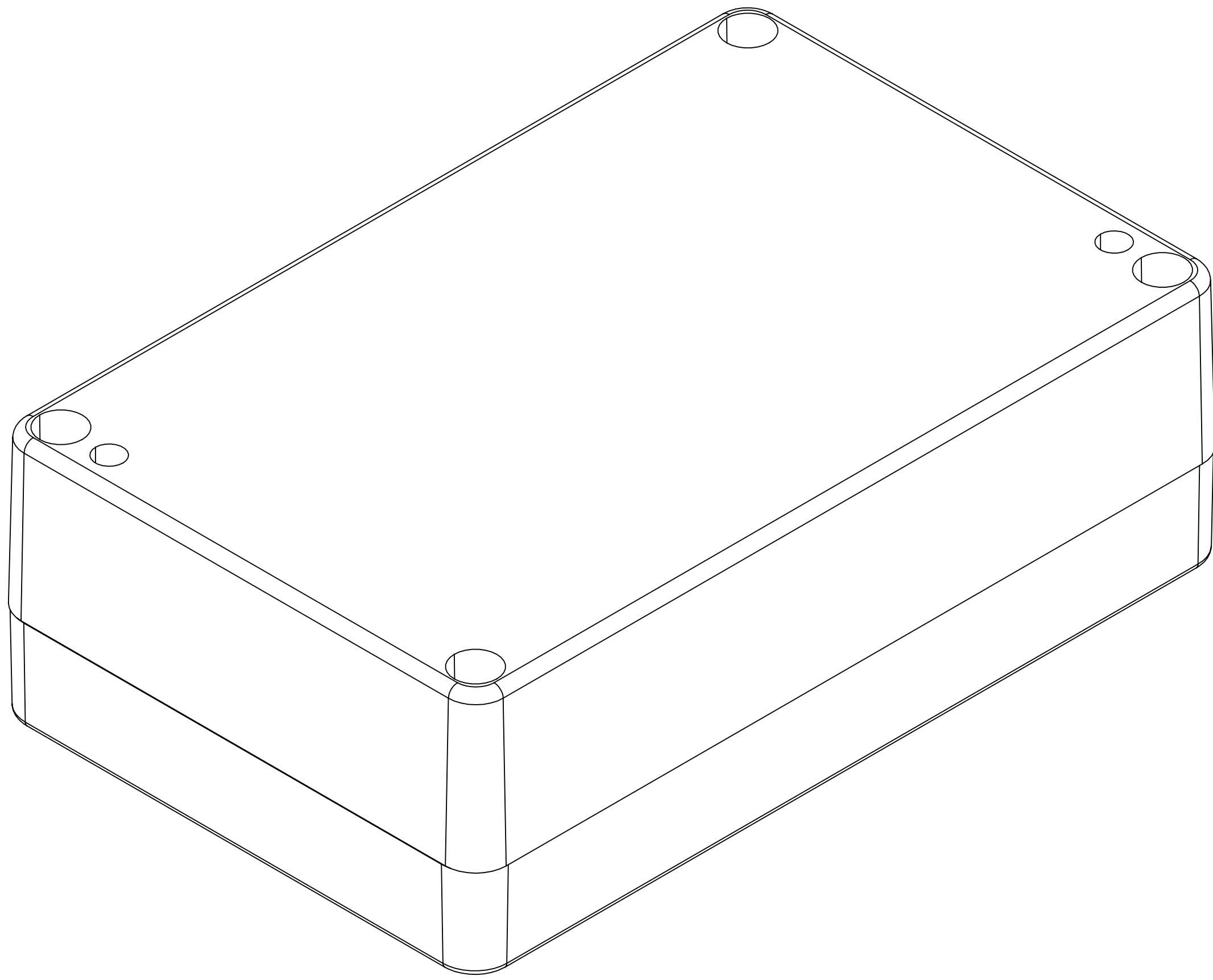
SURFACE-15



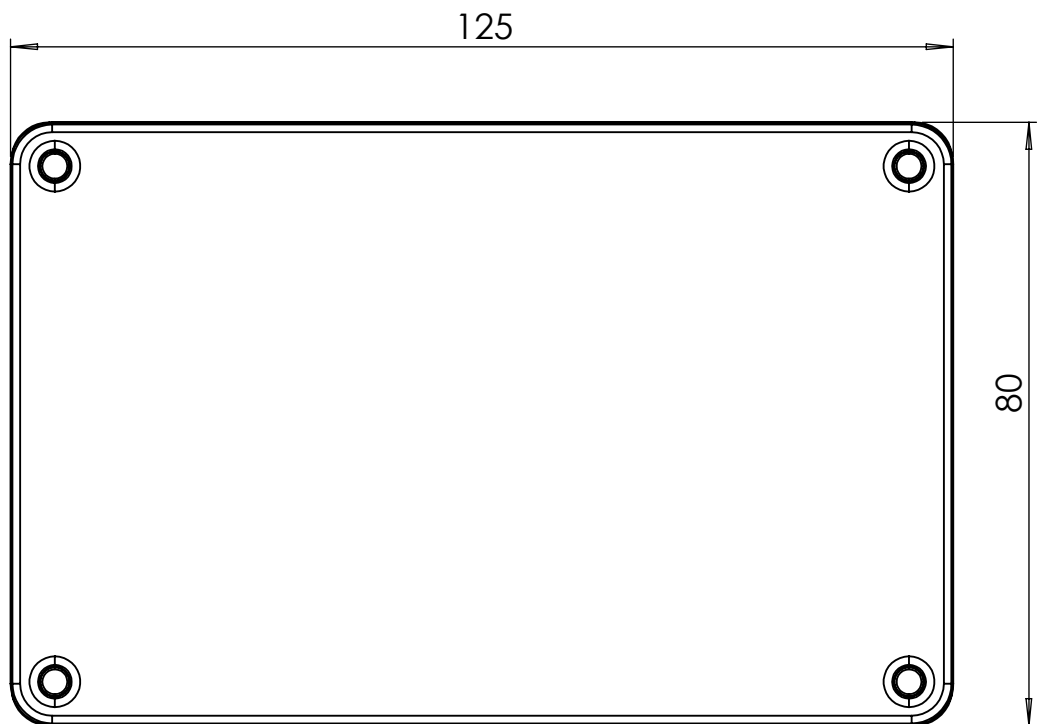
SURFACE-17



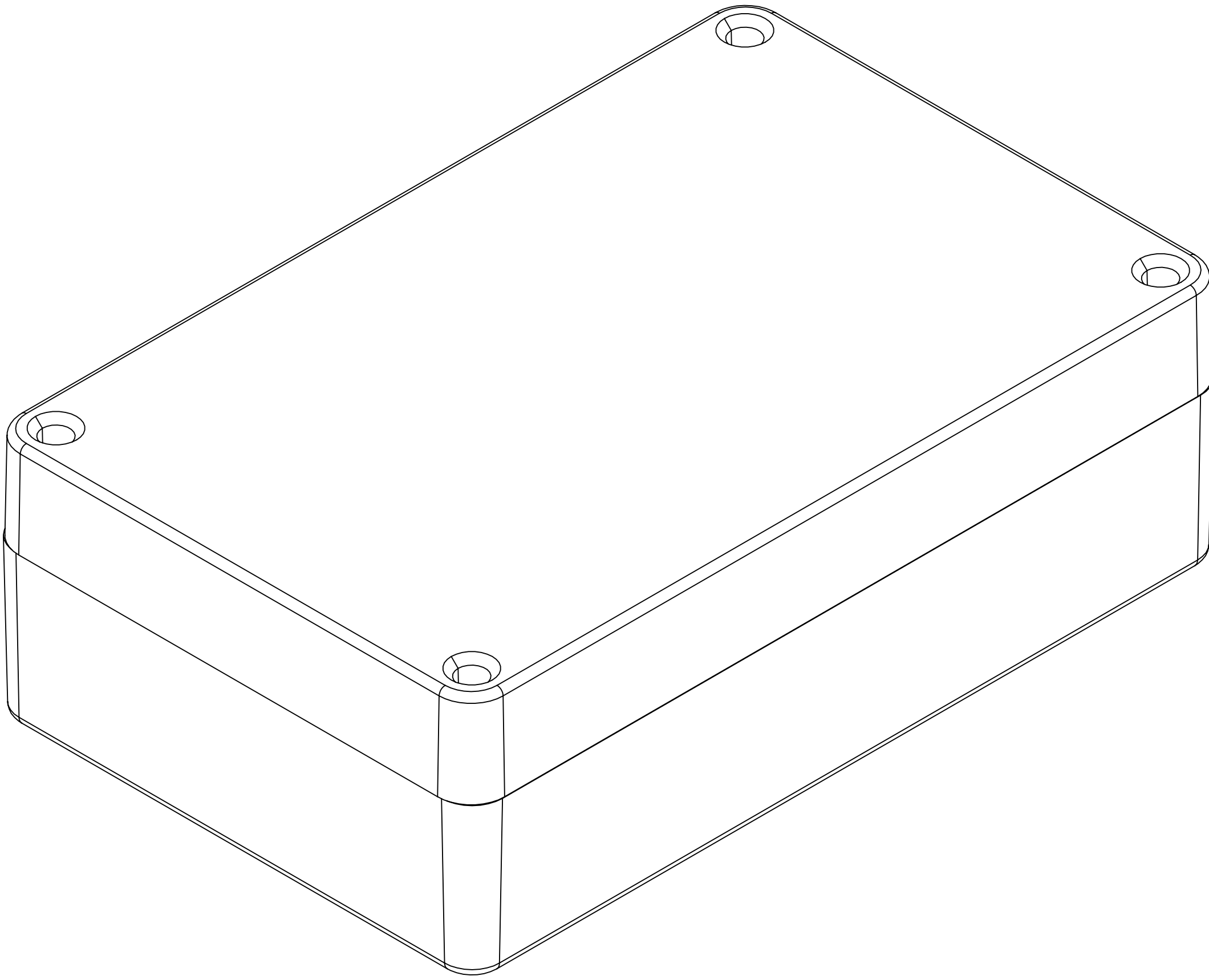
SURFACE-16




SURFACE-14



SURFACE-18



| REV. NO  | DATE  | REVISED BY            | DESCRIPTION OF CHANGE                                    |
|--|-------|-----------------------|--|
|  <b>ALTINKAYA</b><br>Electronic Enclosures & Components |       |                       | <a href="http://www.altinkaya.com">www.altinkaya.com</a> |
| Customer Name:   |       | Customer Ref.:        |  |
| Altinkaya Ref.:  |       | Part Name: SE-315-0-0 |  |
| DRAWN  | NAME  | DATE                  | Drawn From:  |
| CHECKED  | Y.YEL | 25.11.2024            | Weight:  |
| DIMENSIONAL TOLERANCES UNLESS OTHERWISE SPECIFIED (DIN7168)  |       |                       |  |
| 0.5-3mm  | 3-6mm | 6-30mm                | 30-120mm   |
| ±0.1   | ±0.1  | ±0.2                  | ±0.3   |
|  |       |                       | 120-400mm  |
|  |       |                       | ±0.5   |
|  |       |                       | m (Medium)   |
|  |       |                       | SCALE 1:1  |
|  |       |                       | SHEET 2 OF 2   |
|  |       |                       | UNIT: mm   |
|  |       |                       | A0   |