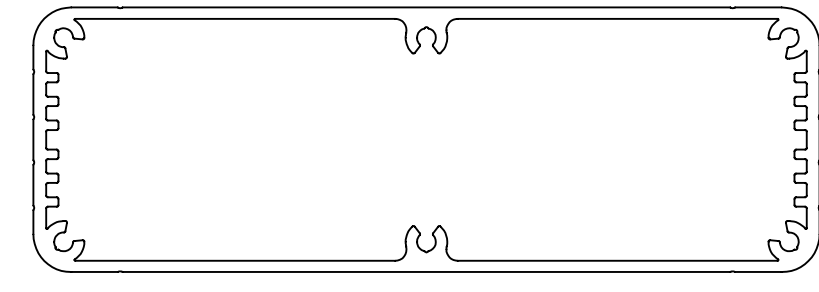
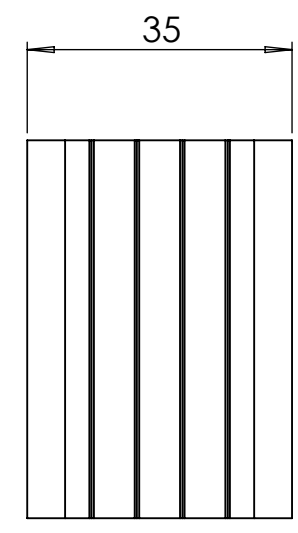


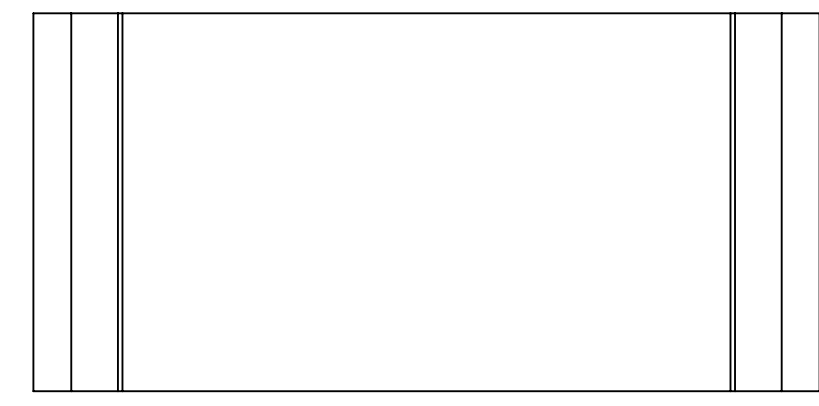
BASE: 6 SURFACE



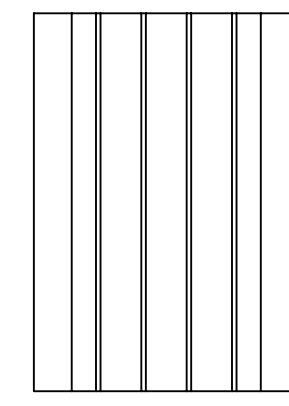
SURFACE-1



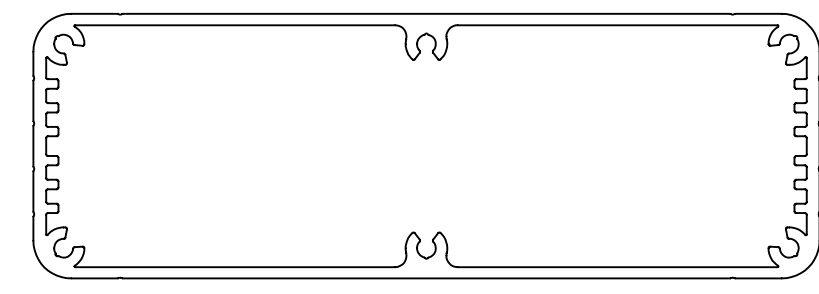
SURFACE-3



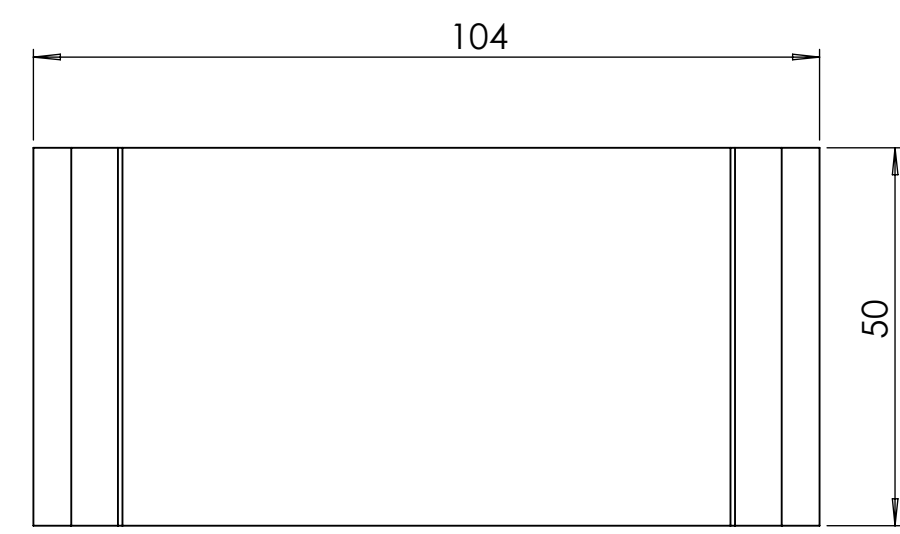
SURFACE-5



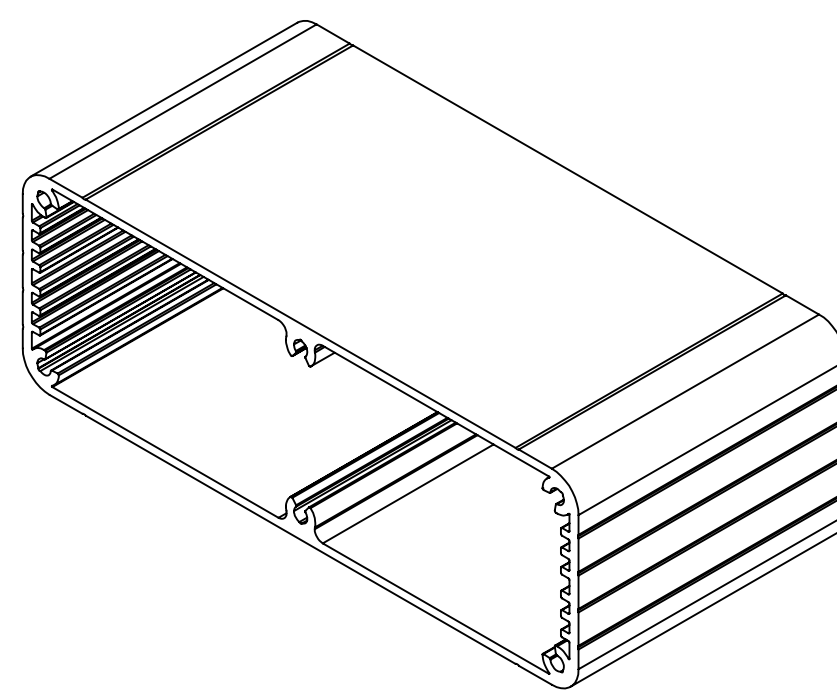
SURFACE-4



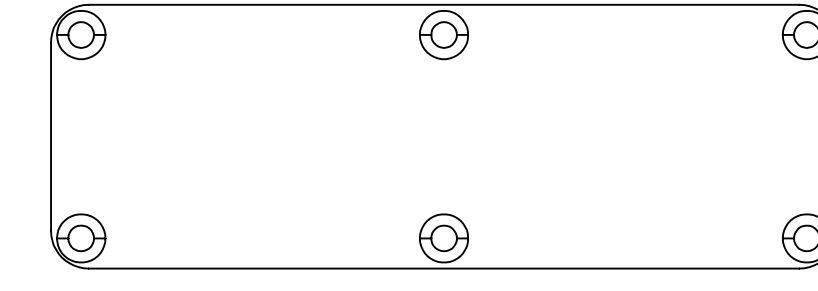
SURFACE-2



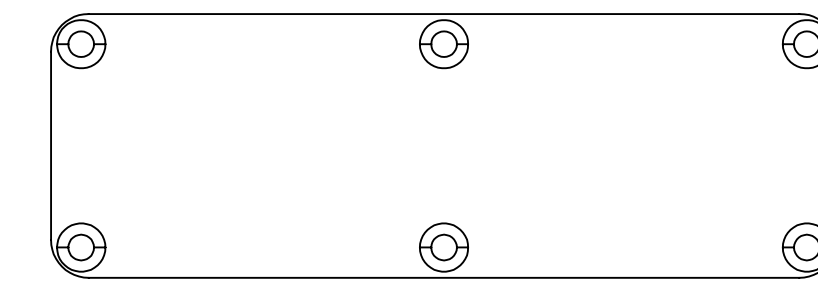
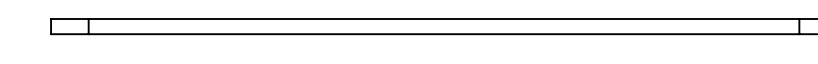
SURFACE-6



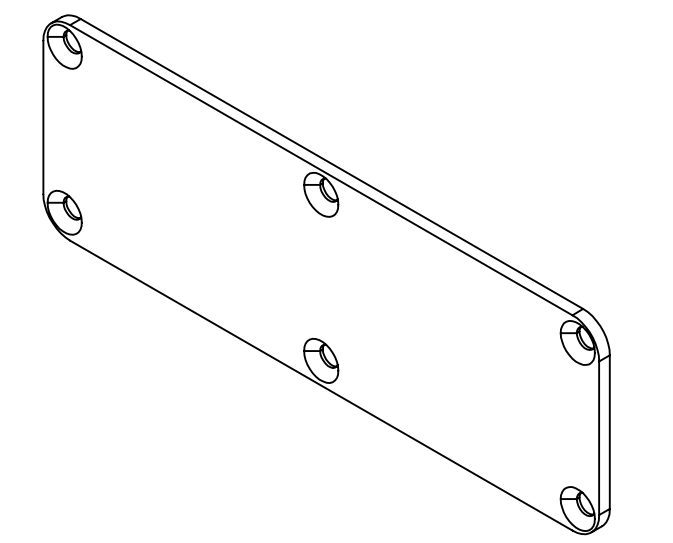
COVER-1: 3 SURFACE



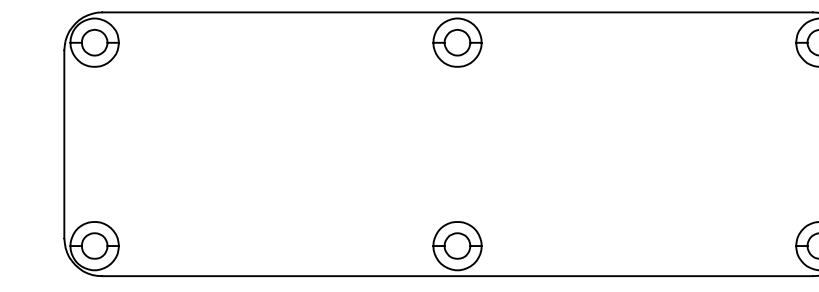
SURFACE-7



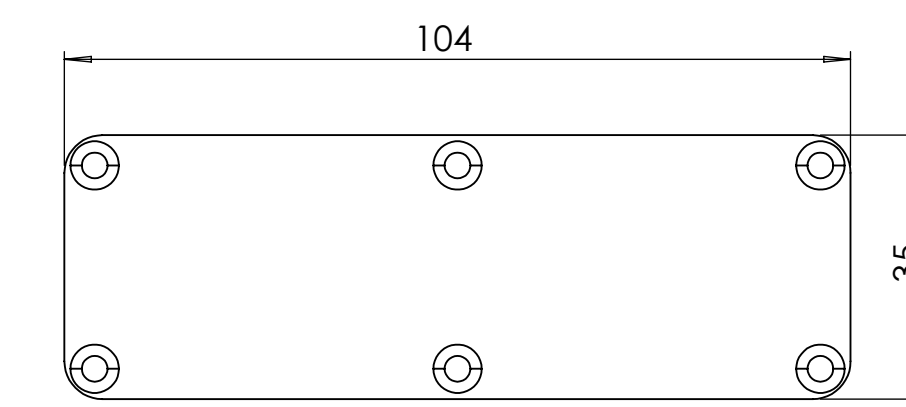
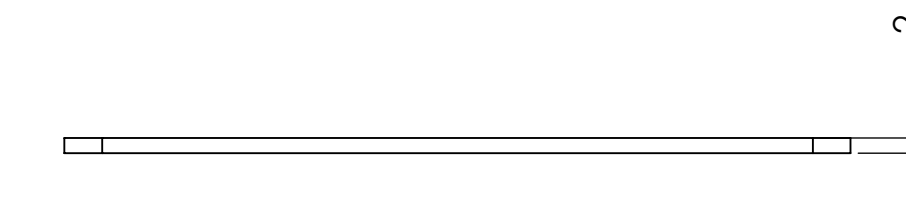
SURFACE-8



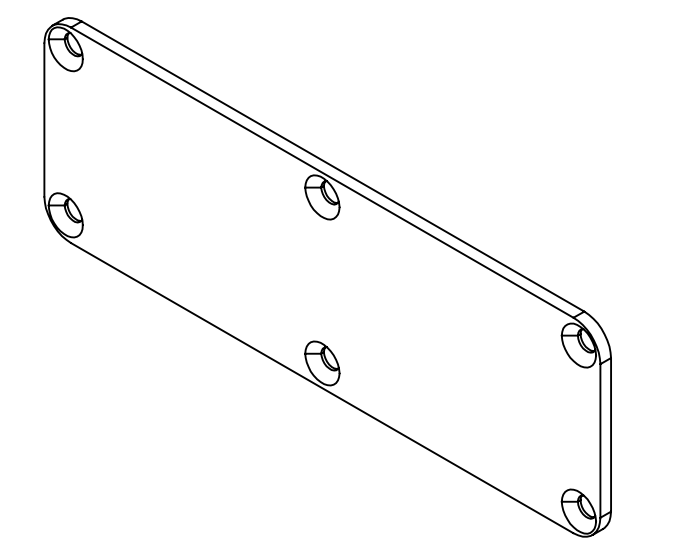
COVER-2: 3 SURFACE




SURFACE-9

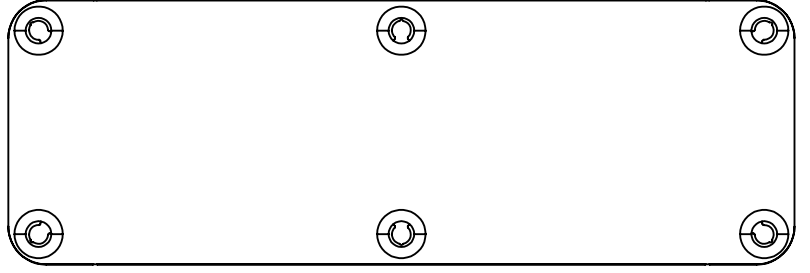


SURFACE-10

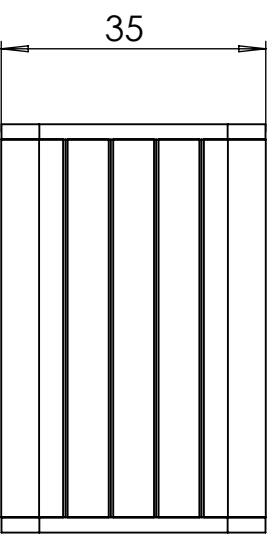
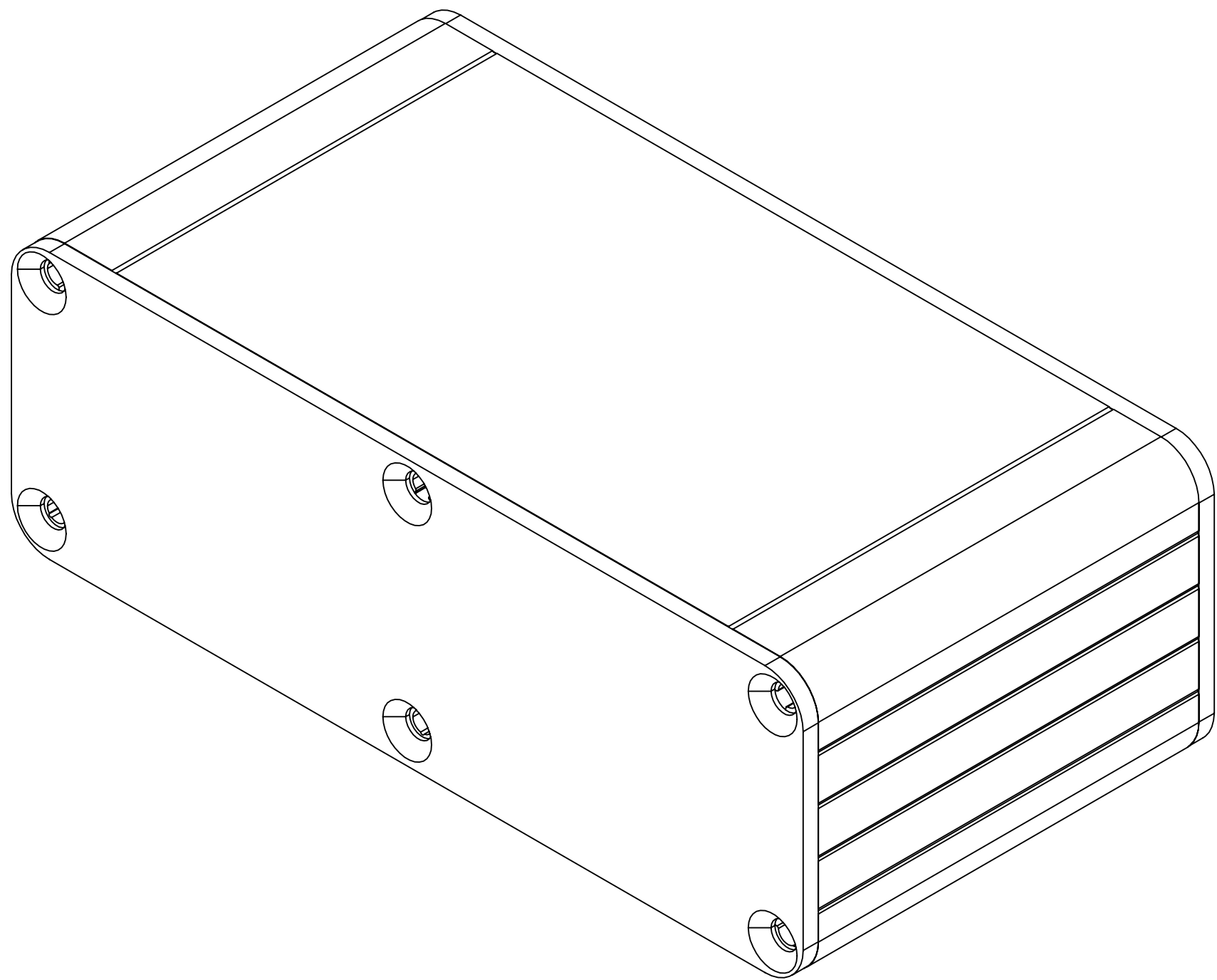


REV. NO	DATE	REVISED BY	DESCRIPTION OF CHANGE
 ALTINKAYA Electronic Enclosures & Components			www.altinkaya.com
Customer Name:		Customer Ref.:	
Altinkaya Ref.:		Part Name: AL-103-S0-KULAKSIZ KAPAK	
DRAWN	NAME	DATE	Drawn From:
CHECKED	Y.YEL	12.12.2024	Weight:
DIMENSIONAL TOLERANCES UNLESS OTHERWISE SPECIFIED (DIN7168)			
0.5-3mm	3-6mm	6-30mm	30-120mm
±0.1	±0.1	±0.2	±0.3
			120-400mm
			±0.5
			m (Medium)
			SCALE 1:1
			SHEET 1 OF 2
			UNIT: mm
			A0

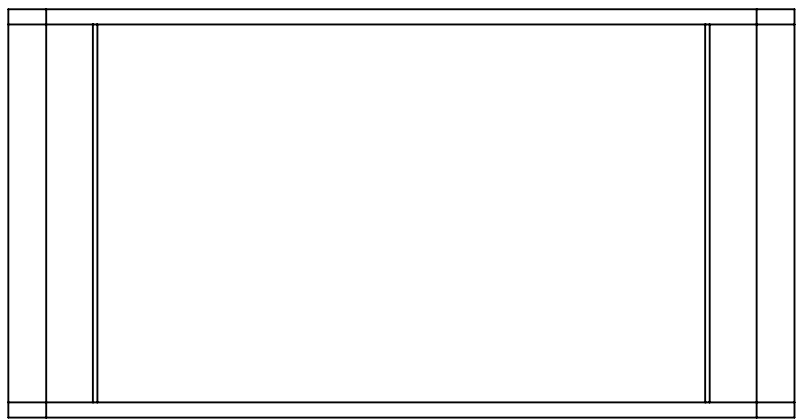
ASSEMBLY: 6 SURFACE



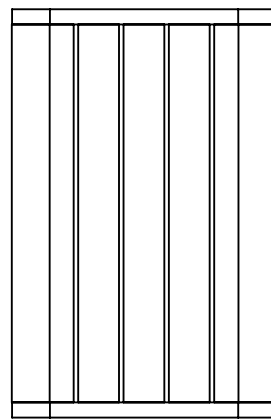
SURFACE-13



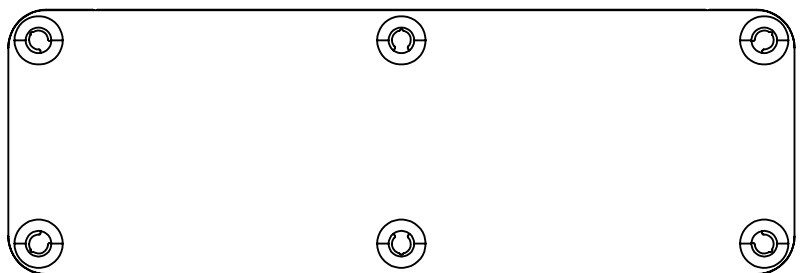
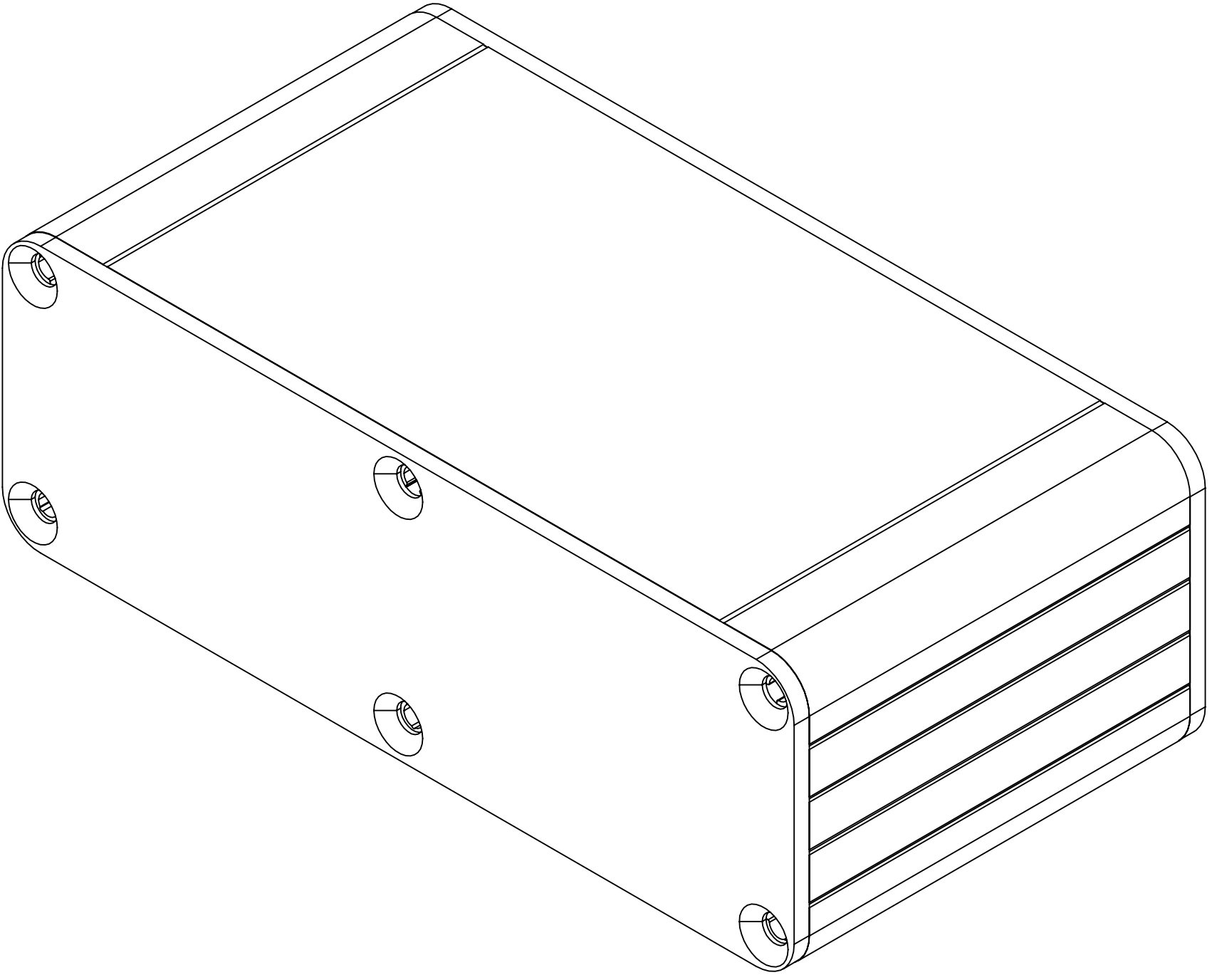
SURFACE-15



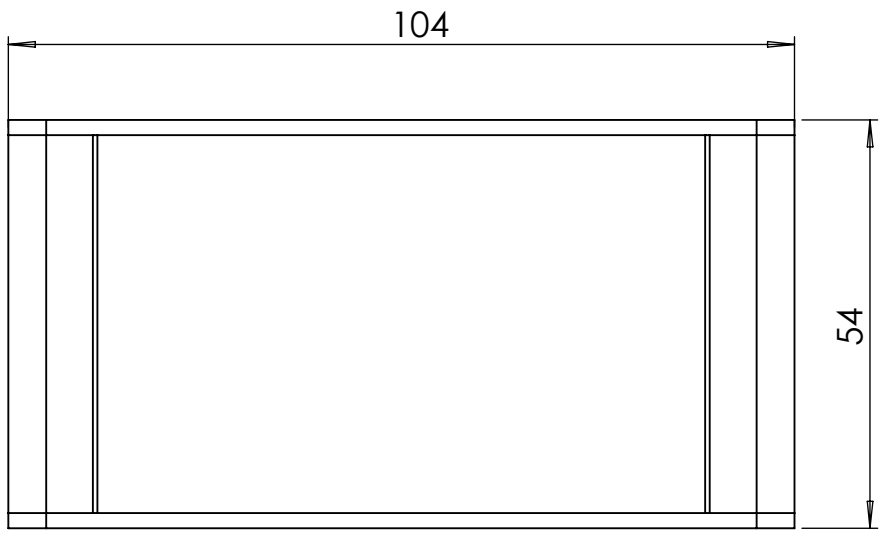
SURFACE-17



SURFACE-16



SURFACE-14



SURFACE-18

REV. NO	DATE	REVISED BY	DESCRIPTION OF CHANGE					
ALTINKAYA Electronic Enclosures & Components			www.altinkaya.com					
Customer Name:		Customer Ref.:						
Altinkaya Ref.:		Part Name: AL-103-S0-KULAKSIZ KAPAK						
DRAWN	NAME	DATE	Drawn From:	SCALE 1:1	SHEET 2 OF 2			
	S.YESILOZ	12.12.2024						
CHECKED	Y.YEL	12.12.2024	Weight:		UNIT: mm			
DIMENSIONAL TOLERANCES UNLESS OTHERWISE SPECIFIED (DIN7168)		0.5-3mm	3-6mm	6-30mm	30-120mm	120-400mm	Dimension (mm)	A0
		±0.1	±0.1	±0.2	±0.3	±0.5	m (Medium)	1