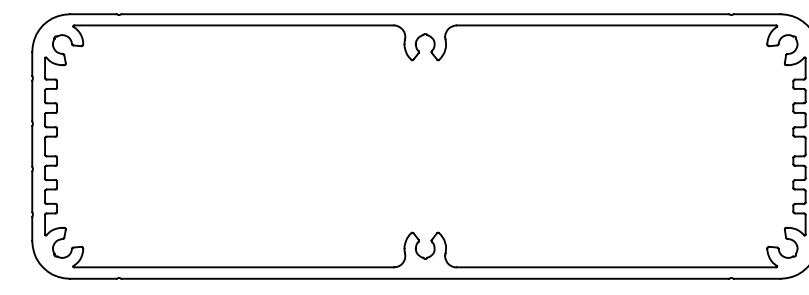
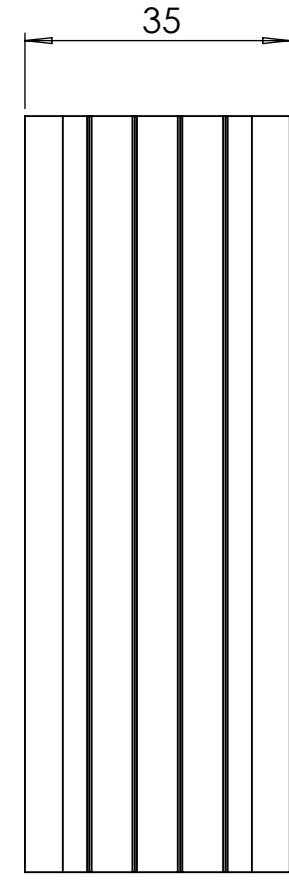


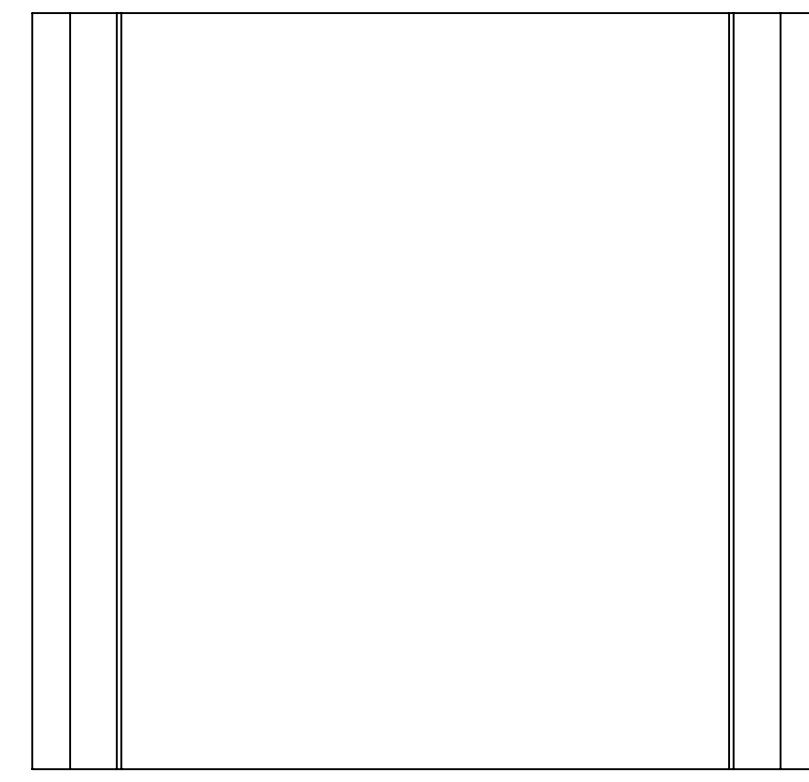
BASE: 6 SURFACE



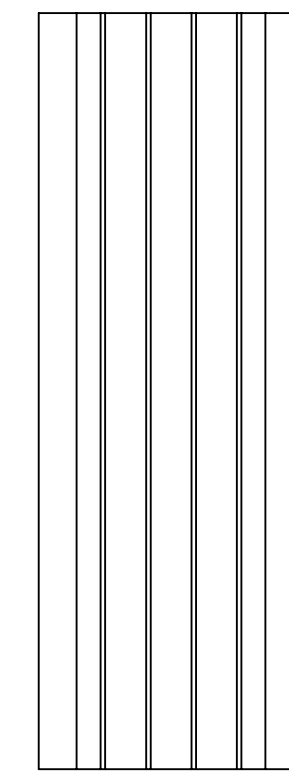
SURFACE-1



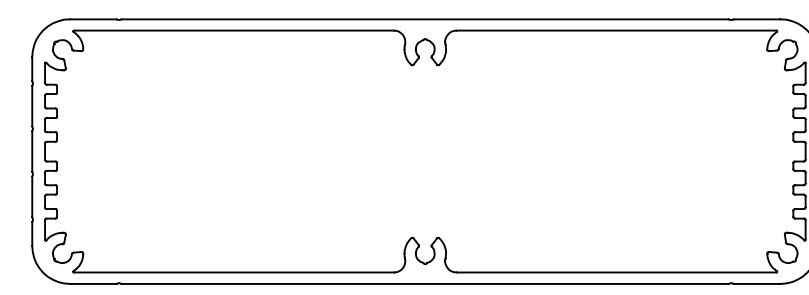
SURFACE-3



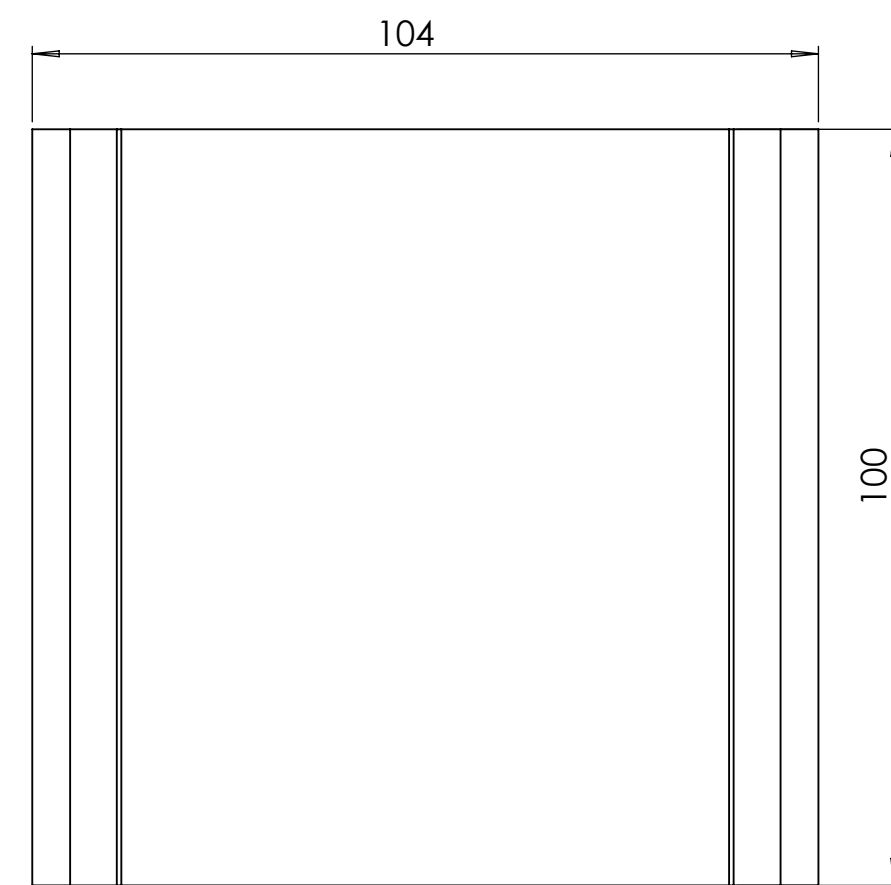
SURFACE-5



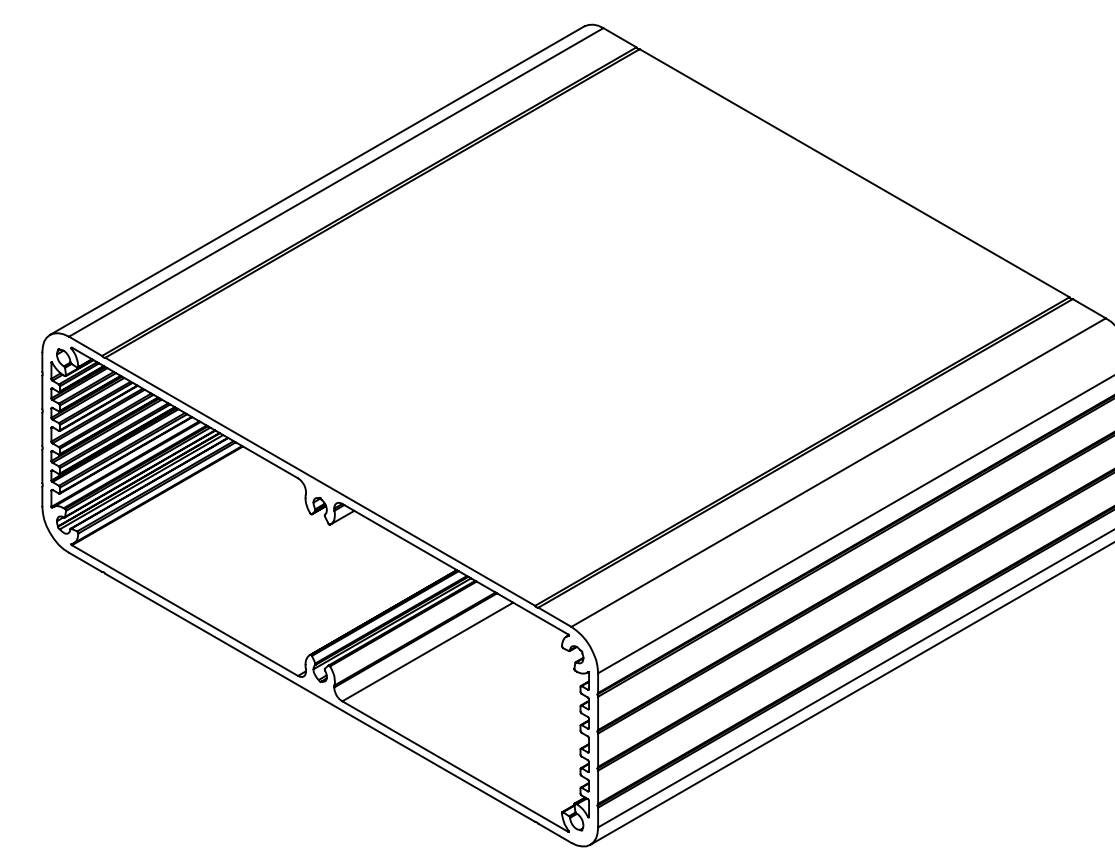
SURFACE-4



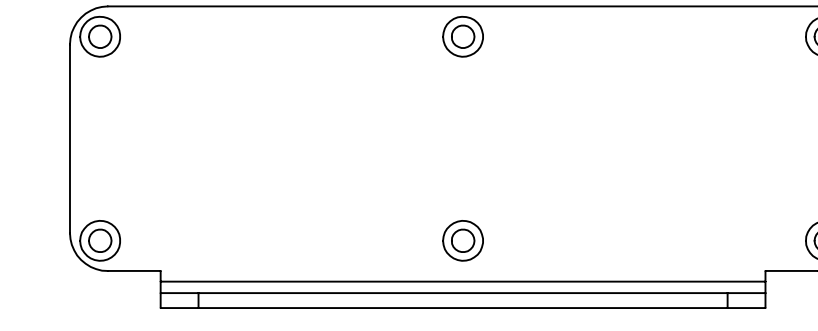
SURFACE-2



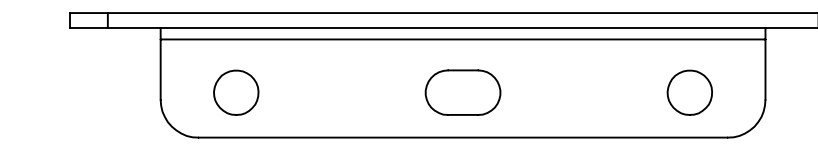
SURFACE-6



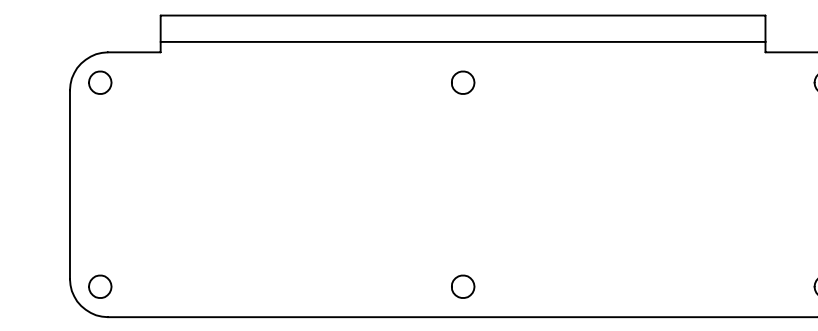
COVER-1: 3 SURFACE



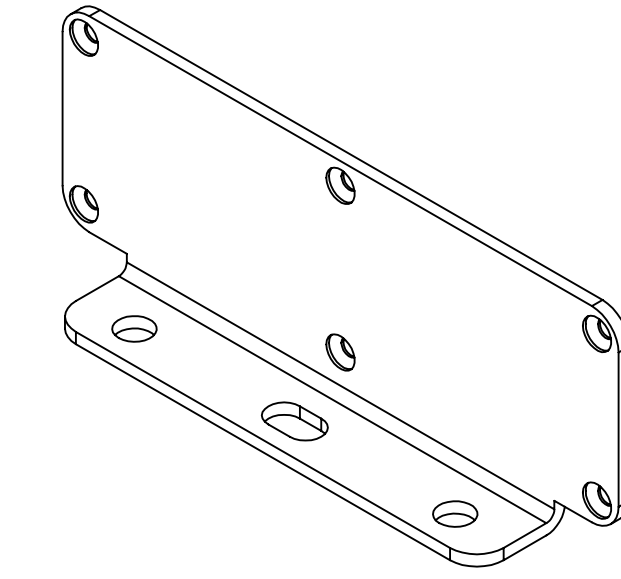
SURFACE-7



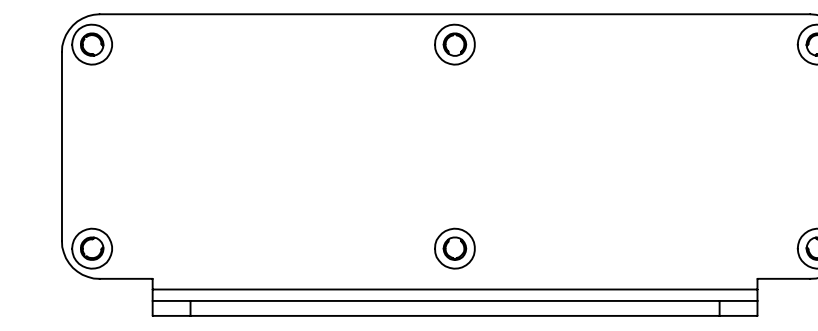
SURFACE-8



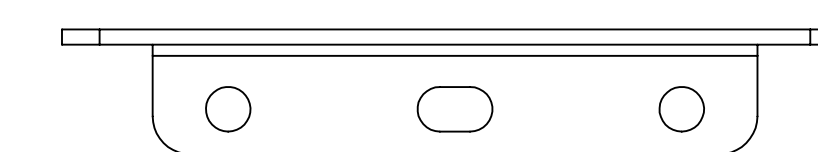
SURFACE-9



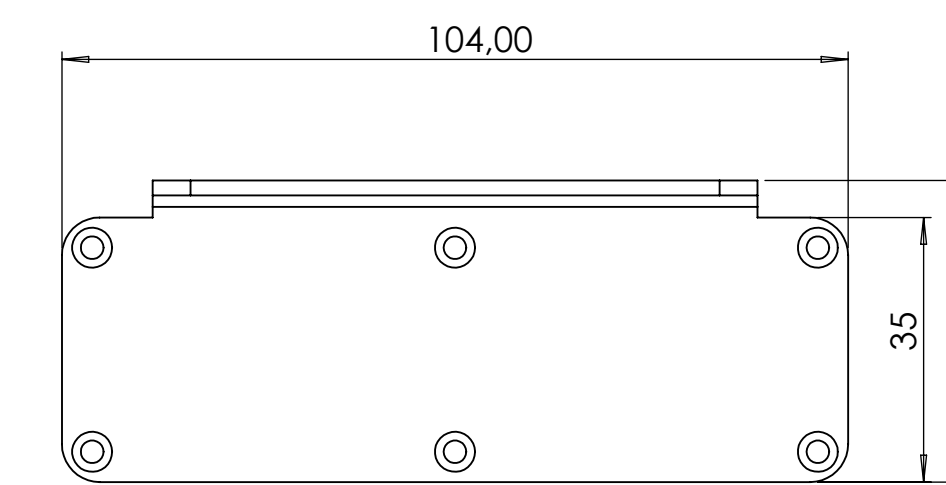
COVER-2: 3 SURFACE



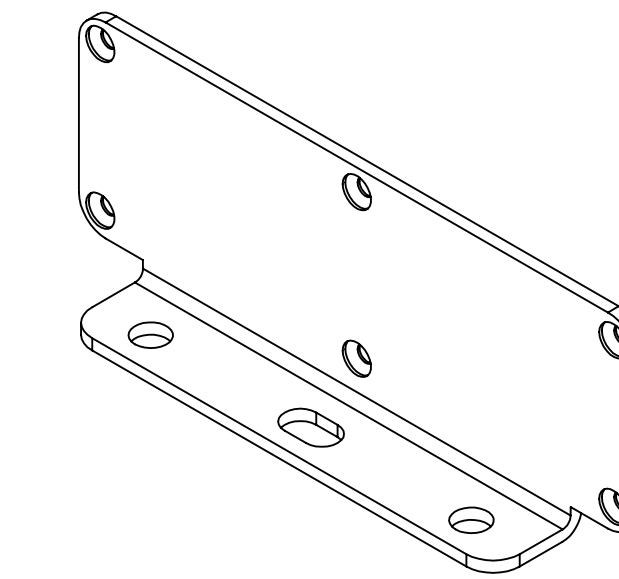
SURFACE-10



SURFACE-11



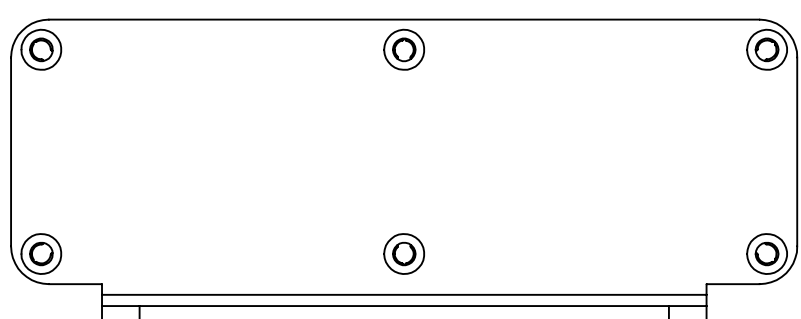
SURFACE-12



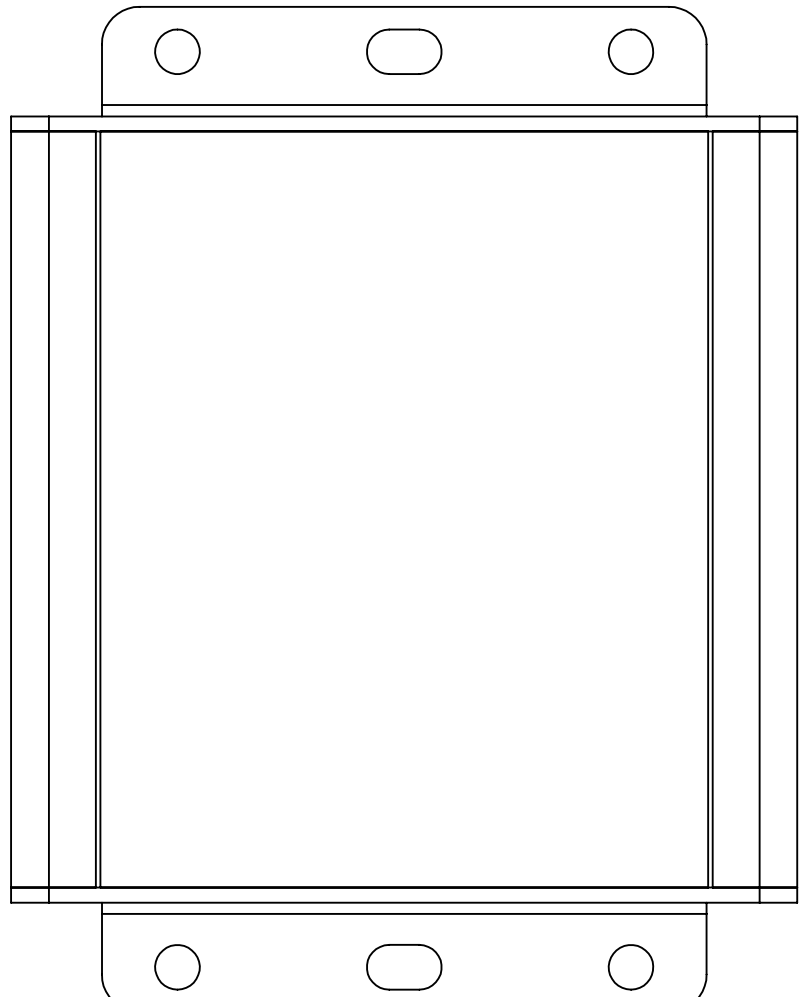
REV. NO	DATE	REVISED BY	DESCRIPTION OF CHANGE
 ALTINKAYA Electronic Enclosures & Components			
Customer Name:		Customer Ref.:	
Altinkaya Ref.:		Part Name: AL-103-100-KULAKLI	
DRAWN	NAME	DATE	Drawn From:
CHECKED	Y.YEL	12.12.2024	Weight:
DIMENSIONAL TOLERANCES UNLESS OTHERWISE SPECIFIED (DIN7168)			
	0.5-3mm	3-6mm	6-30mm
	±0.1	±0.1	±0.2
			±0.3
			±0.5
			m (Medium)
SCALE 1:1			SHEET 1 OF 2
UNIT: mm			A0
			1

www.altinkaya.com

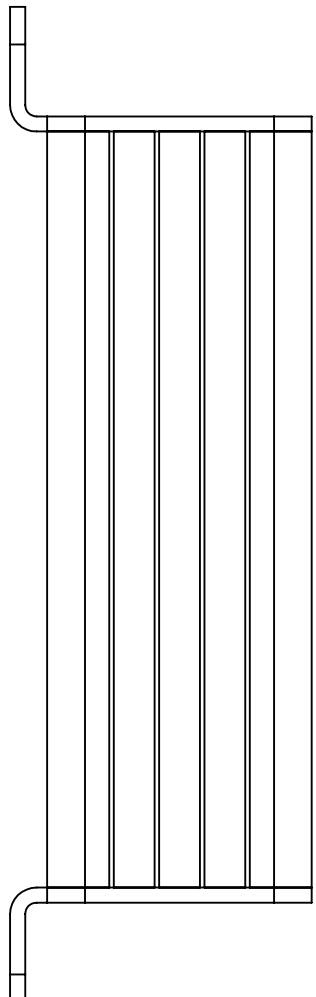
ASSEMBLY: 6 SURFACE



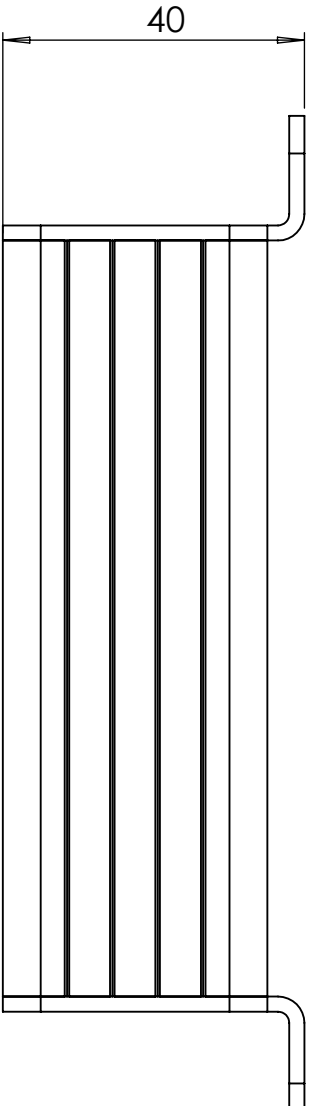
SURFACE-13



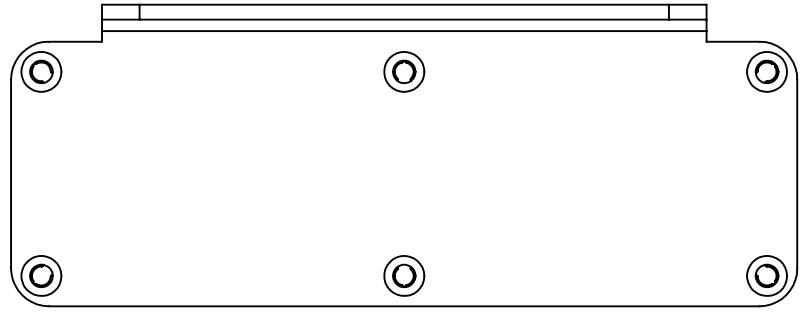
SURFACE-17



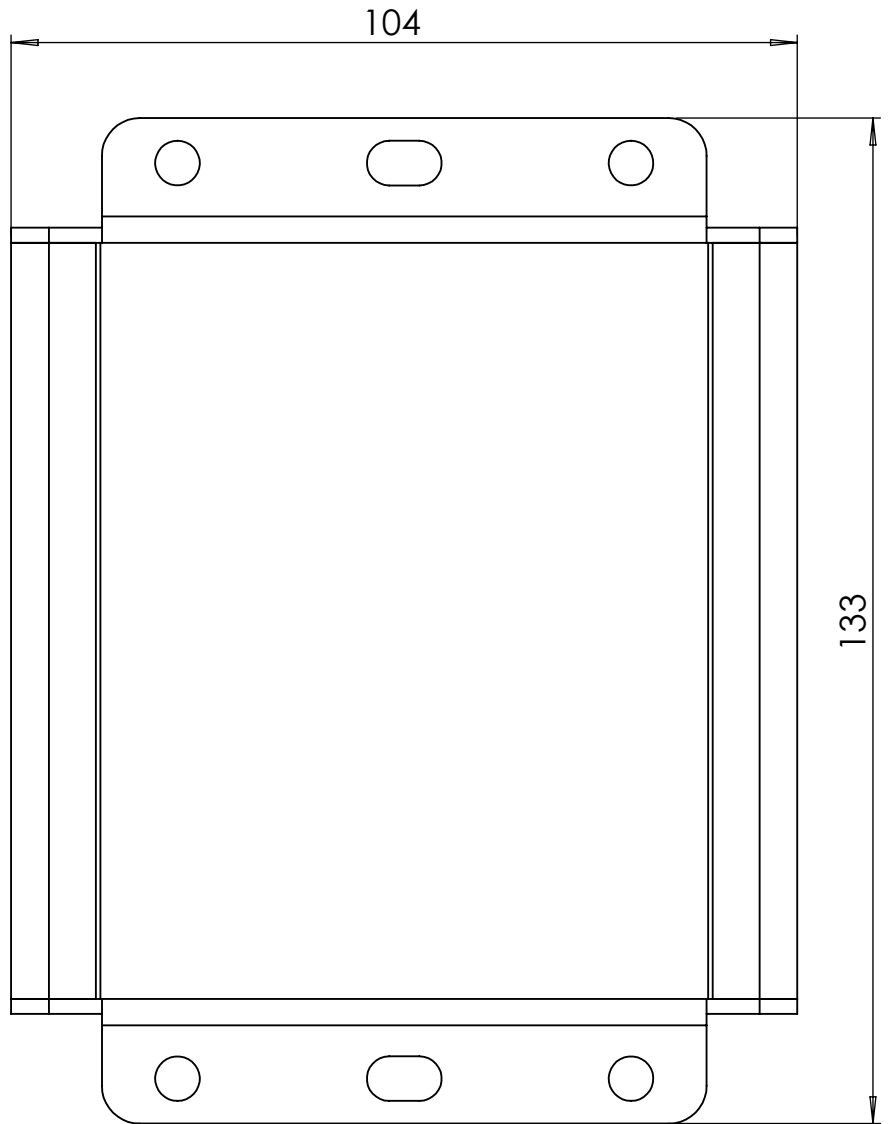
SURFACE-16



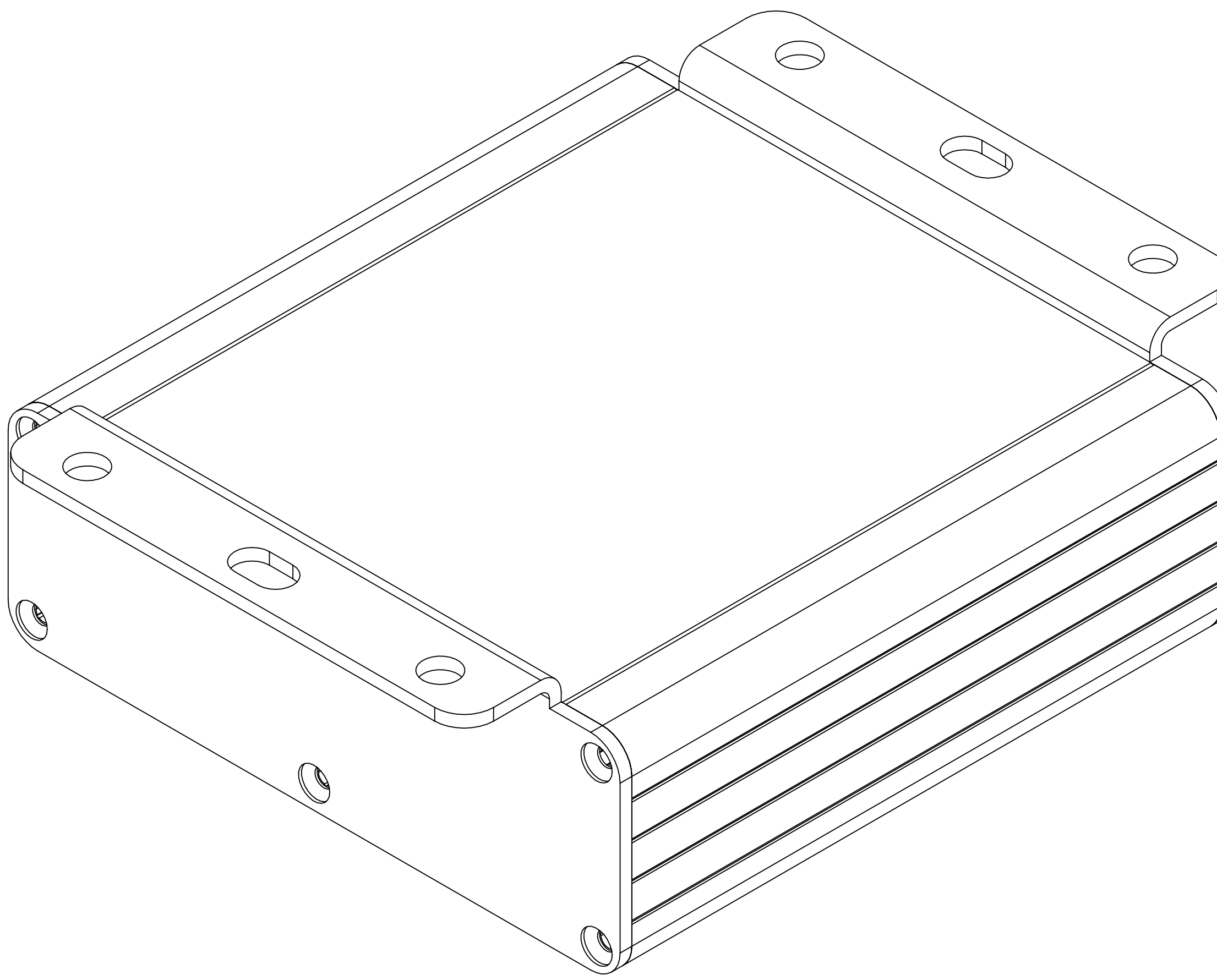
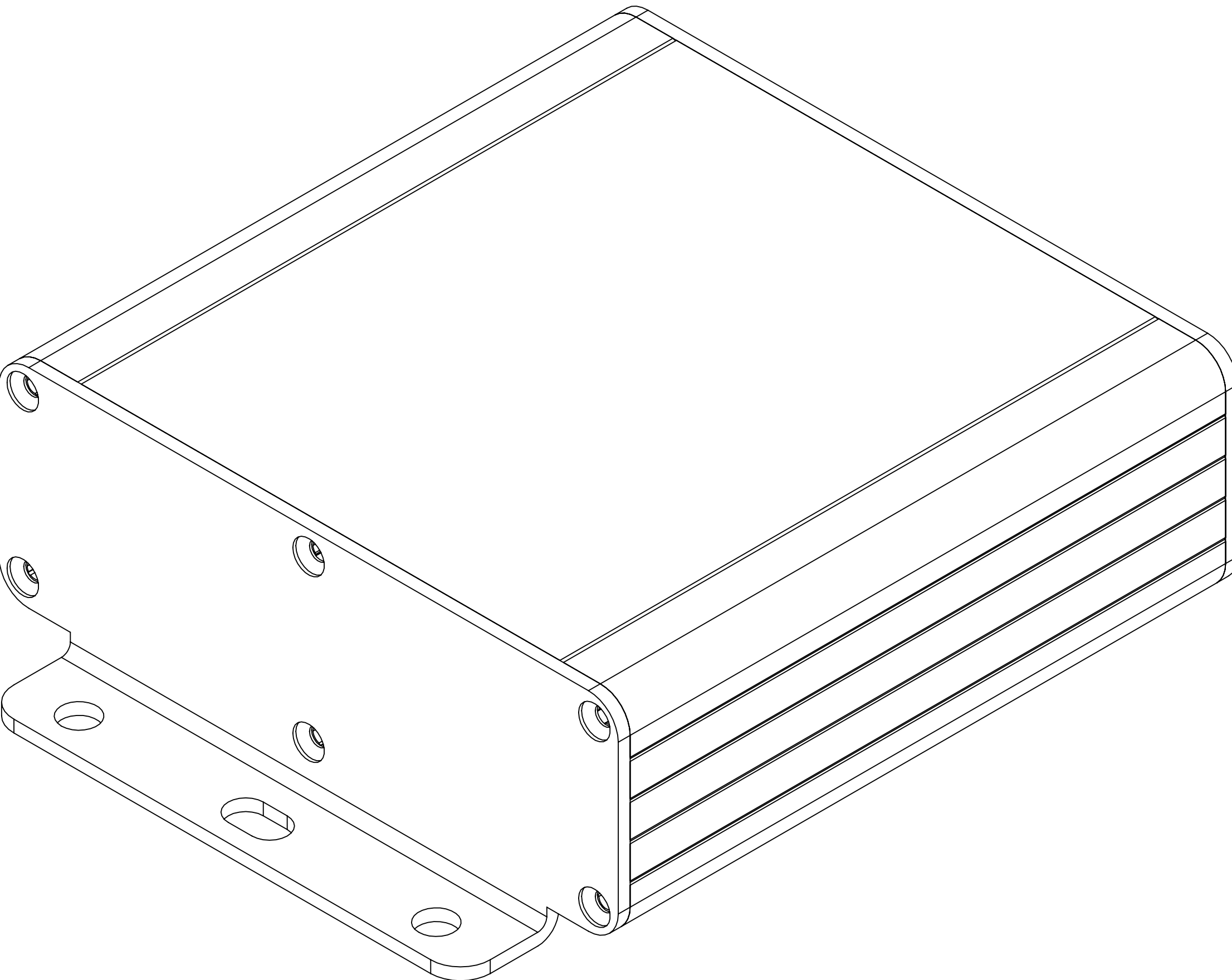
SURFACE-15



SURFACE-14



SURFACE-18



REV. NO	DATE	REVISED BY	DESCRIPTION OF CHANGE
ALTINKAYA Electronic Enclosures & Components			www.altinkaya.com
Customer Name:		Customer Ref.:	
Altinkaya Ref.:		Part Name: AL-103-KULAKLI	
DRAWN	NAME	DATE	Drawn From:
	S.YESILOZ	12.12.2024	
CHECKED	Y.YEL	12.12.2024	Material:
DIMENSIONAL TOLERANCES UNLESS OTHERWISE SPECIFIED (DIN7168)			SCALE 1:1 SHEET 2 OF 2
	0.5-3mm	3-6mm	6-30mm
	±0.1	±0.1	±0.2
			±0.3
			±0.5
			m (Medium)
			UNIT: mm
			AO