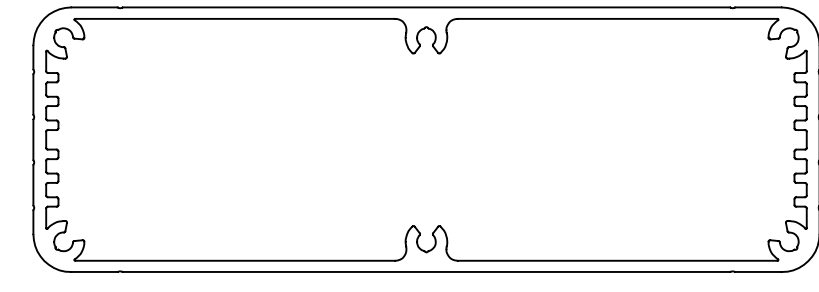
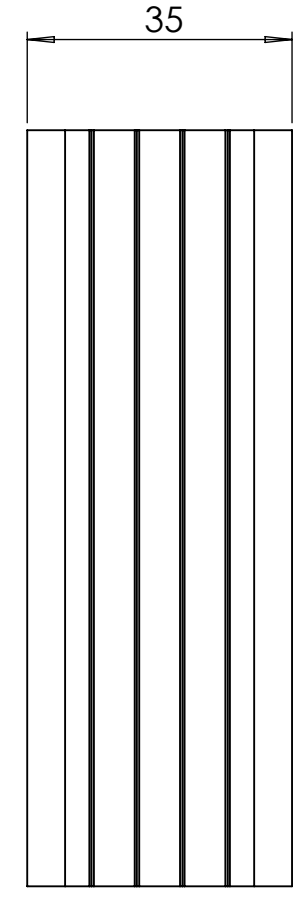


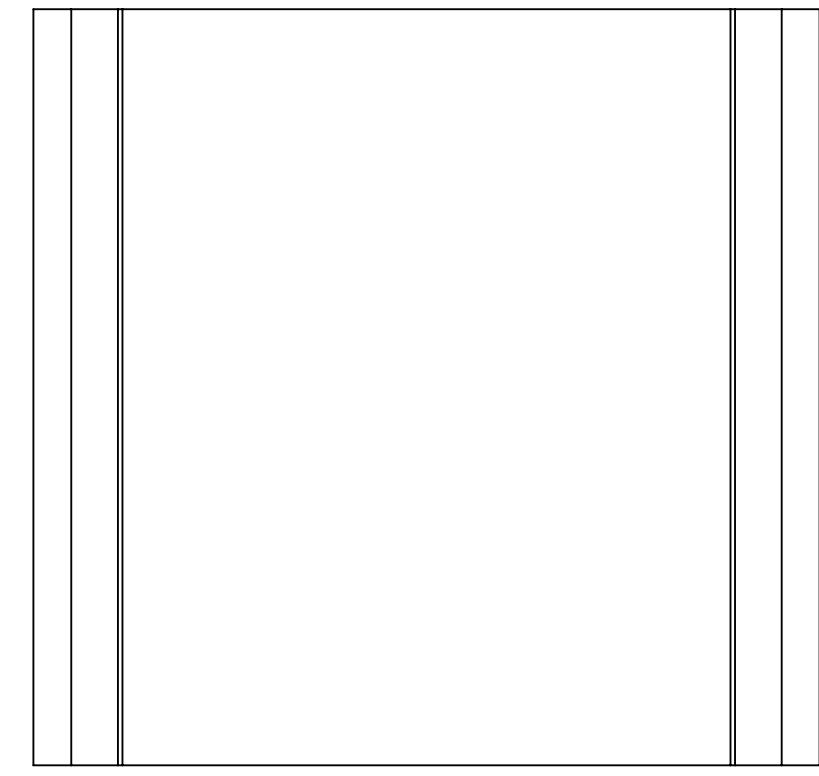
BASE: 6 SURFACE



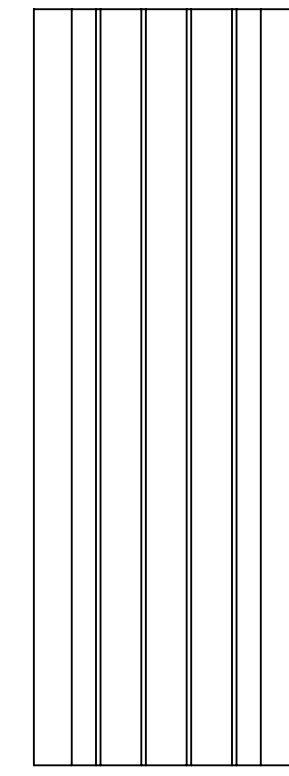
SURFACE-1



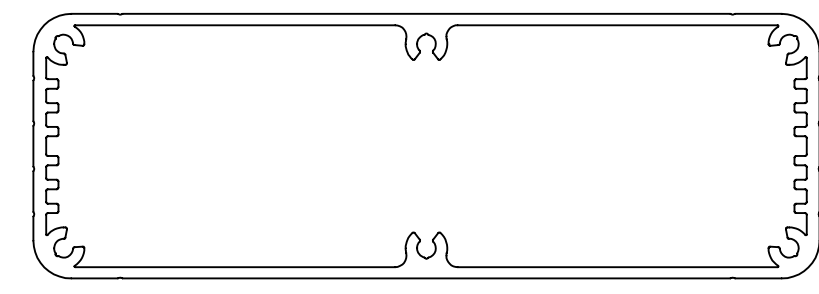
SURFACE-3



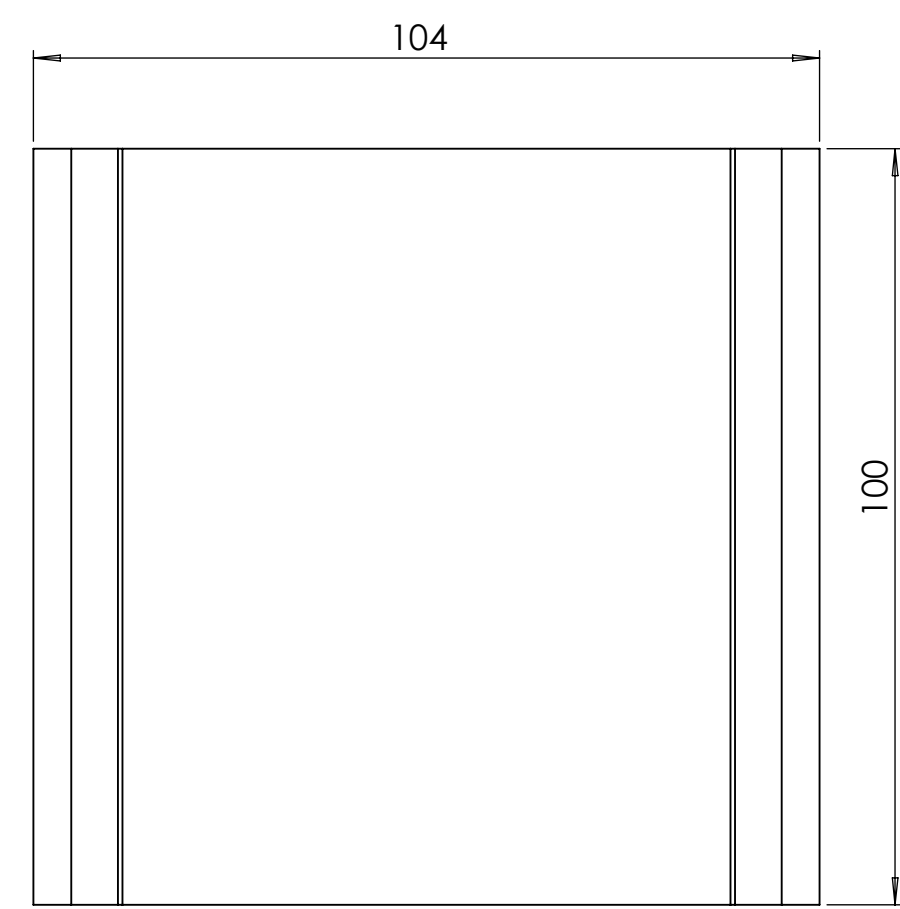
SURFACE-5



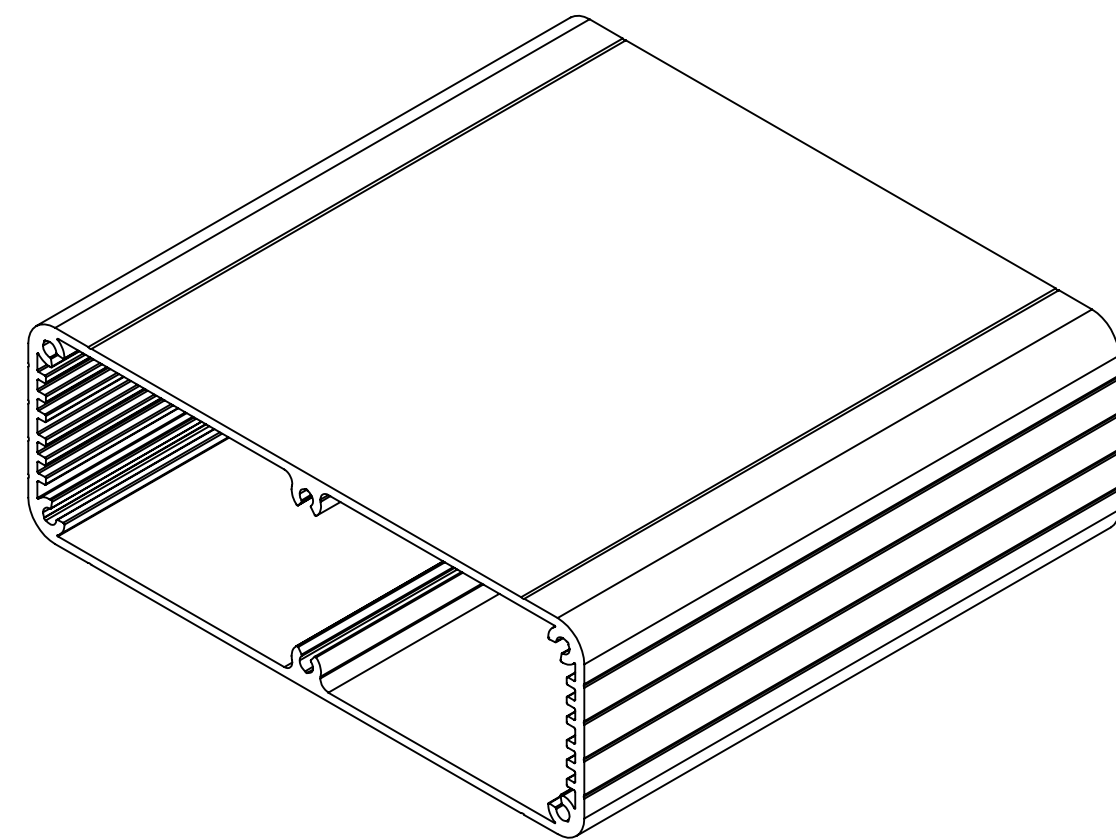
SURFACE-4



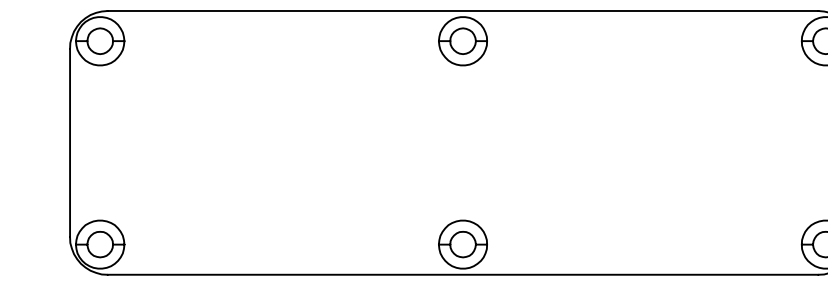
SURFACE-2



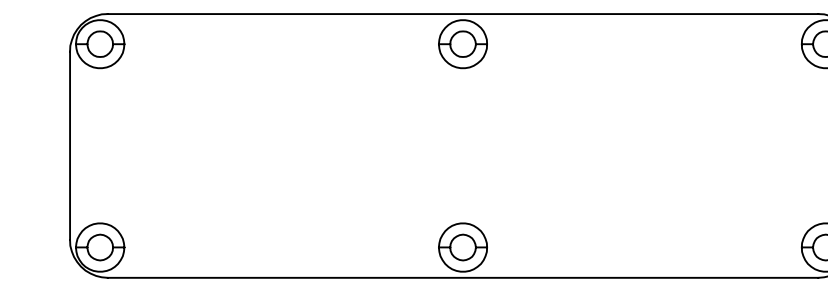
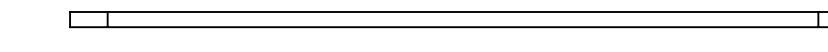
SURFACE-6



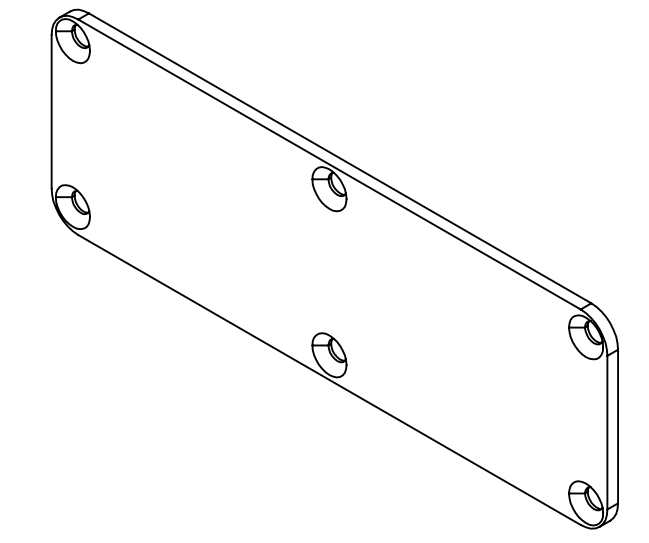
COVER-1: 3 SURFACE



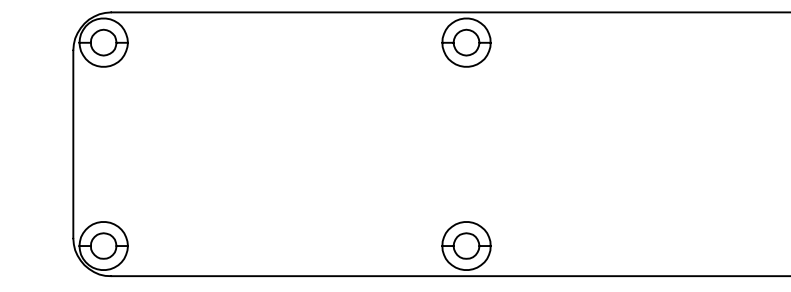
SURFACE-7



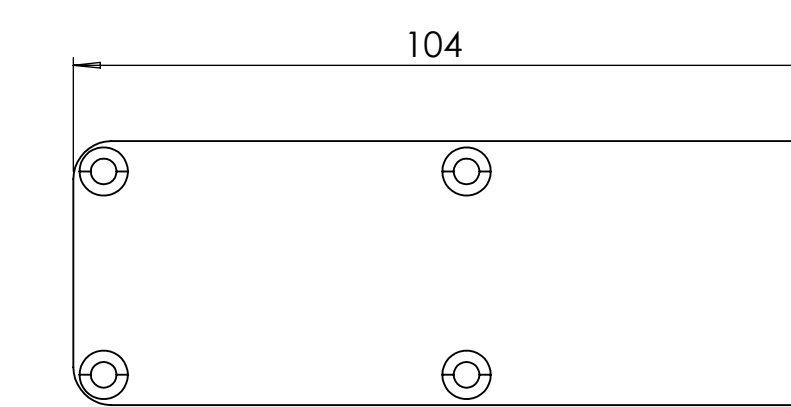
SURFACE-8



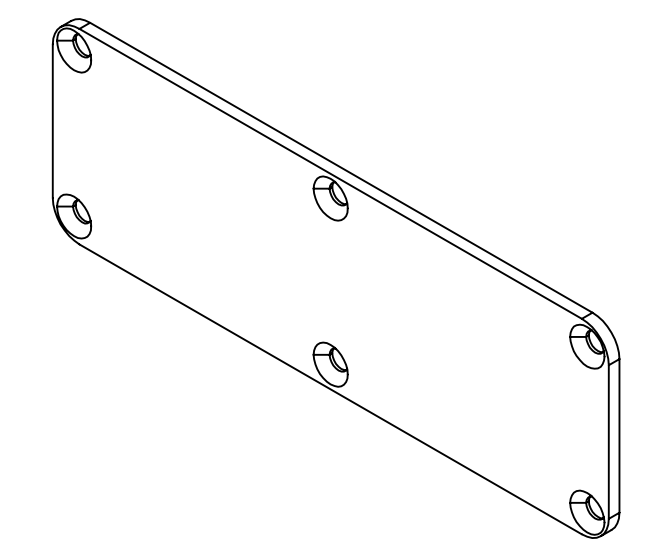
COVER-2: 3 SURFACE




SURFACE-9

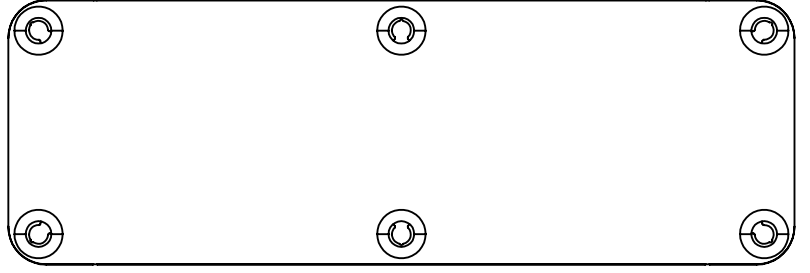


SURFACE-10

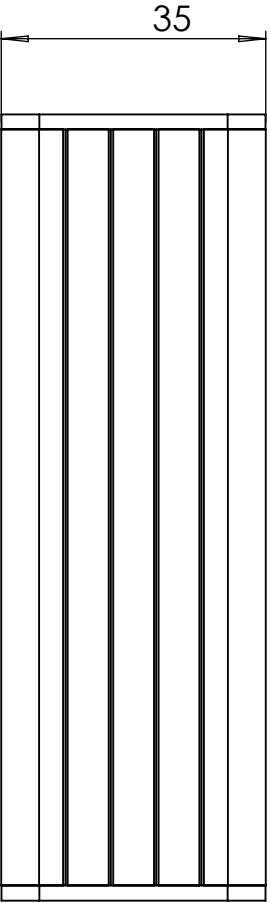


REV. NO	DATE	REVISED BY	DESCRIPTION OF CHANGE
 ALTINKAYA Electronic Enclosures & Components			www.altinkaya.com
Customer Name:		Customer Ref.:	
Altinkaya Ref.:		Part Name: AL-103-100-KULAKSIZ KAPAK	
DRAWN	NAME	DATE	Drawn From:
CHECKED	Y.YEL	12.12.2024	Weight:
DIMENSIONAL TOLERANCES UNLESS OTHERWISE SPECIFIED (DIN7168)			
0.5-3mm	3-6mm	6-30mm	30-120mm
±0.1	±0.1	±0.2	±0.3
			120-400mm
			±0.5
			m (Medium)
			SCALE 1:1
			SHEET 1 OF 2
			UNIT: mm
			A0

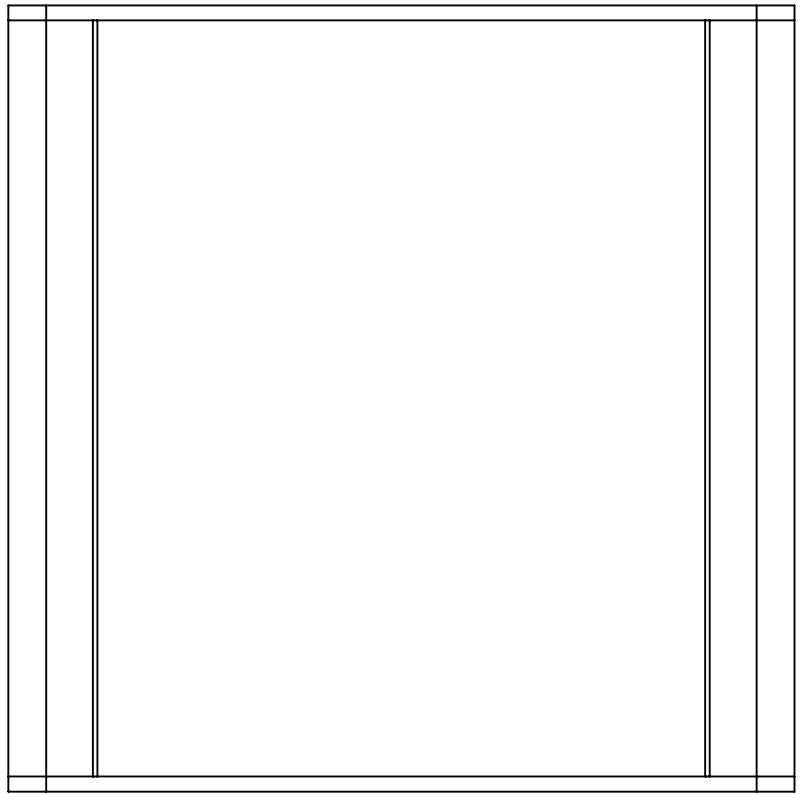
ASSEMBLY: 6 SURFACE



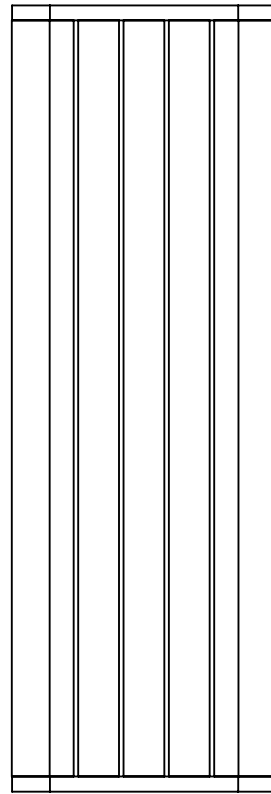
SURFACE-13



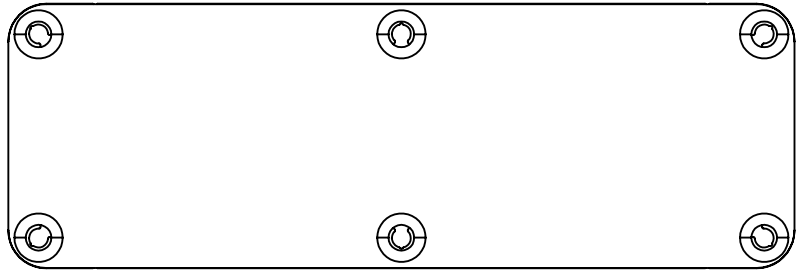
SURFACE-15



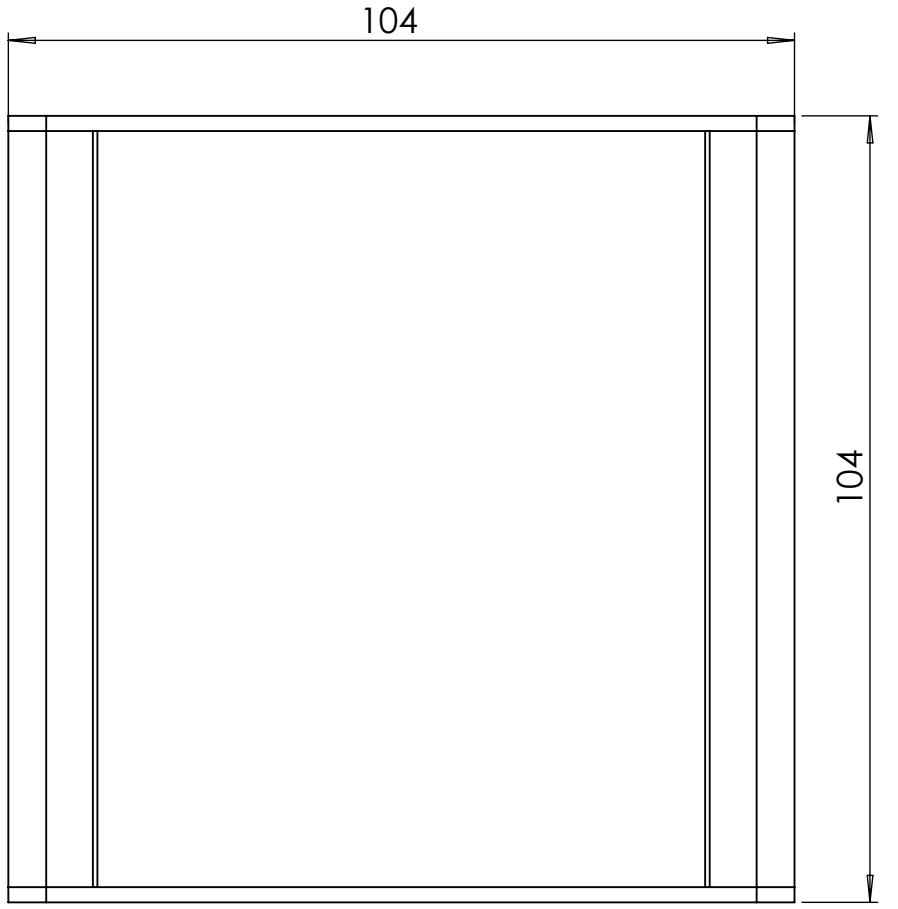
SURFACE-17



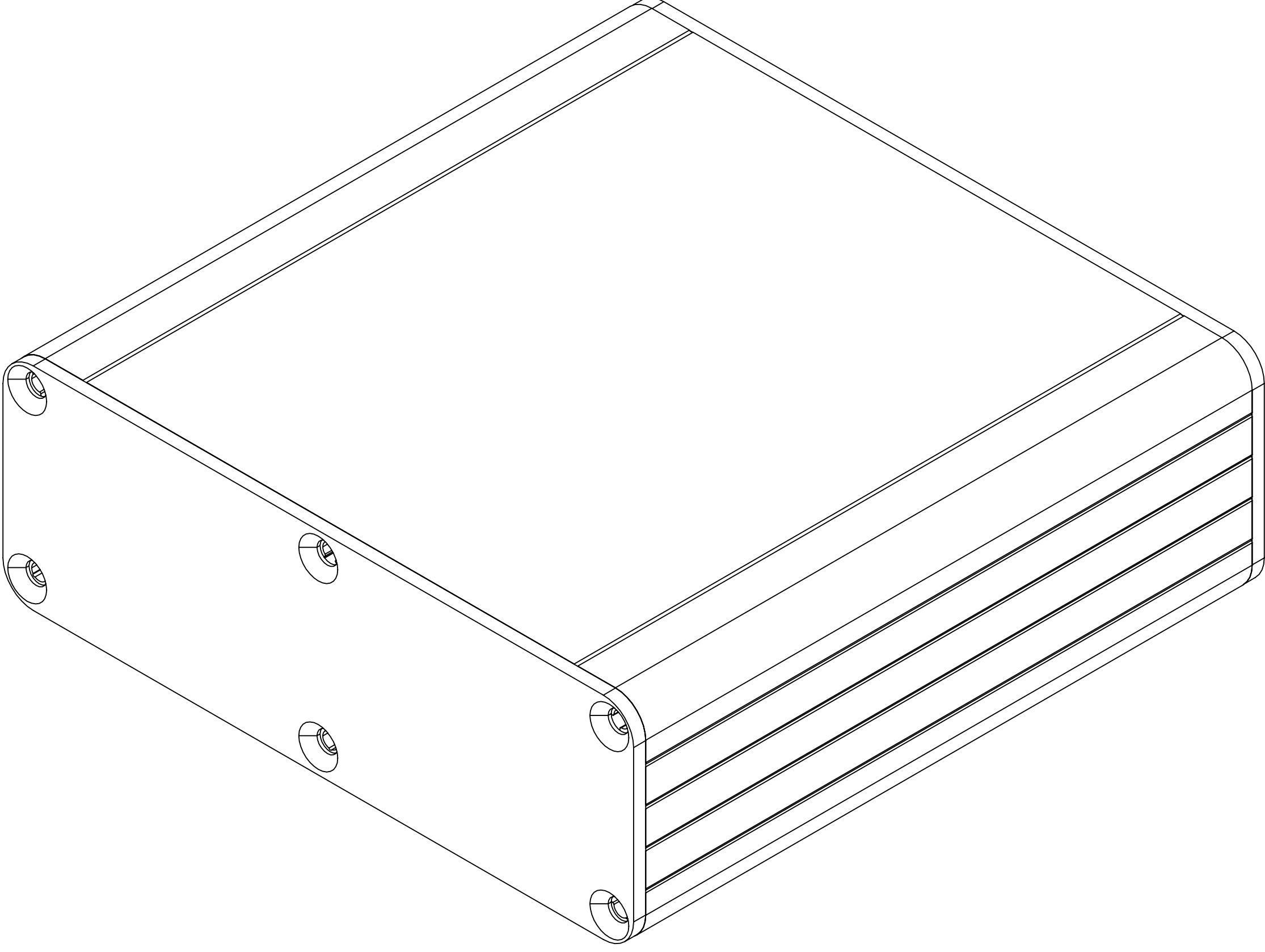
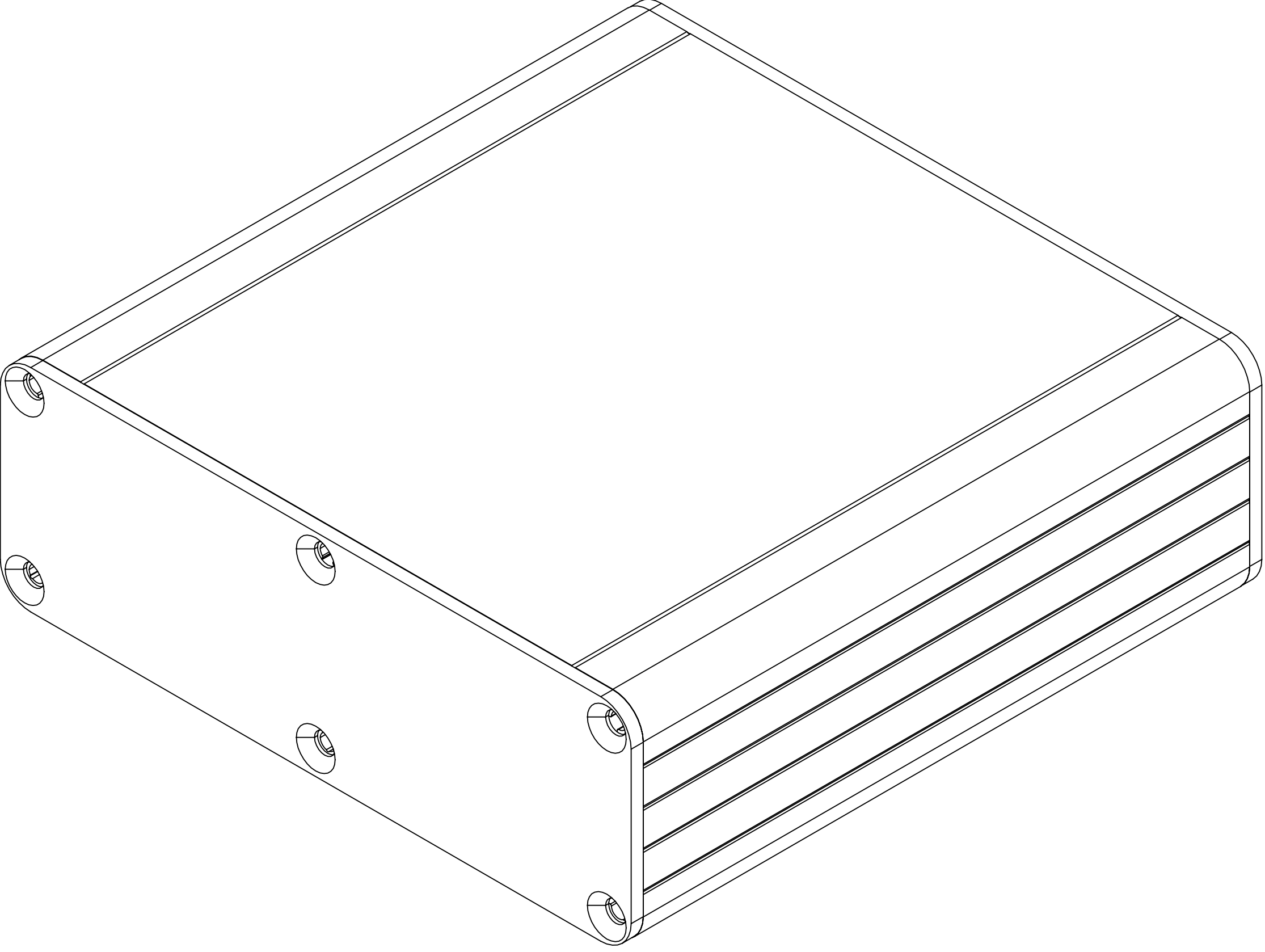
SURFACE-16



SURFACE-14



SURFACE-18



REV. NO	DATE	REVISED BY	DESCRIPTION OF CHANGE
ALTINKAYA Electronic Enclosures & Components			www.altinkaya.com
Customer Name:		Customer Ref.:	
Altinkaya Ref.:		Part Name: AL-103-100-KULAKSIZ KAPAK	
NAME	DATE	Drawn From:	SCALE 1:1
DRAWN S.YESILOZ	12.12.2024	Material:	SHEET 2 OF 2
CHECKED Y.YEL	12.12.2024	Weight:	UNIT: mm
DIMENSIONAL TOLERANCES UNLESS OTHERWISE SPECIFIED (DIN7168)		0.5-3mm ±0.1	3-6mm ±0.1
		6-30mm ±0.2	30-120mm ±0.3
		120-400mm ±0.5	Dimension (mm) m (Medium)