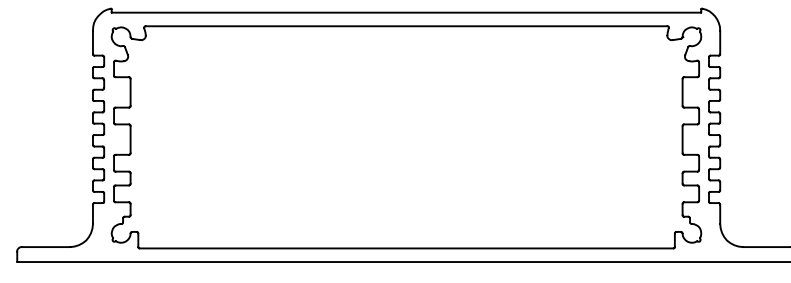
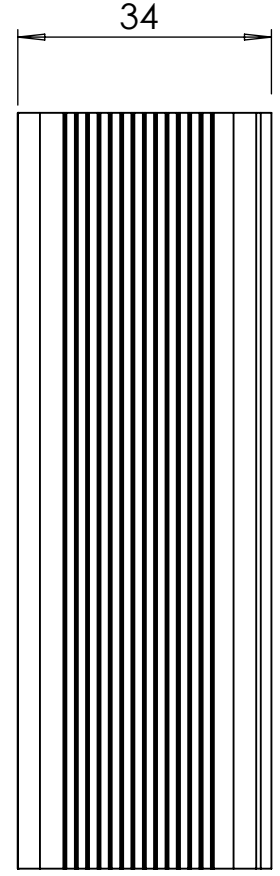


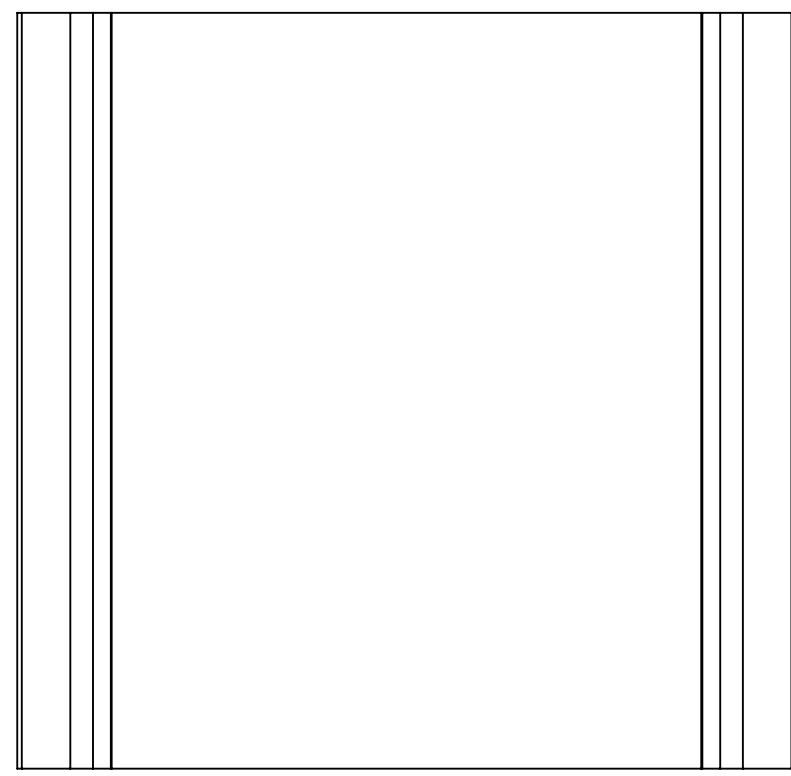
**BASE: 6 SURFACE**



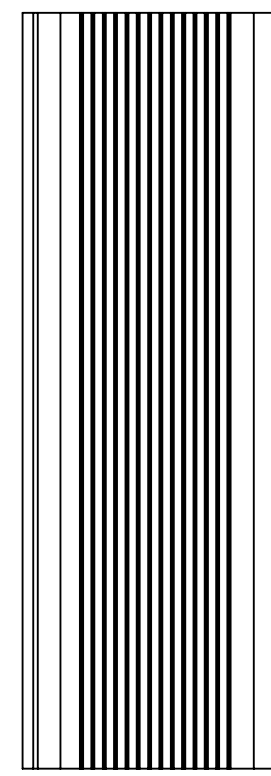
SURFACE-1



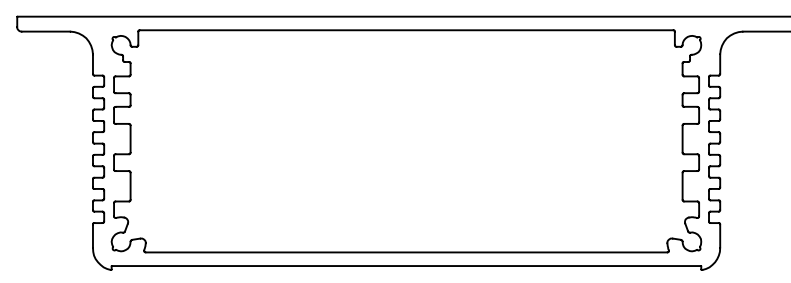
SURFACE-3



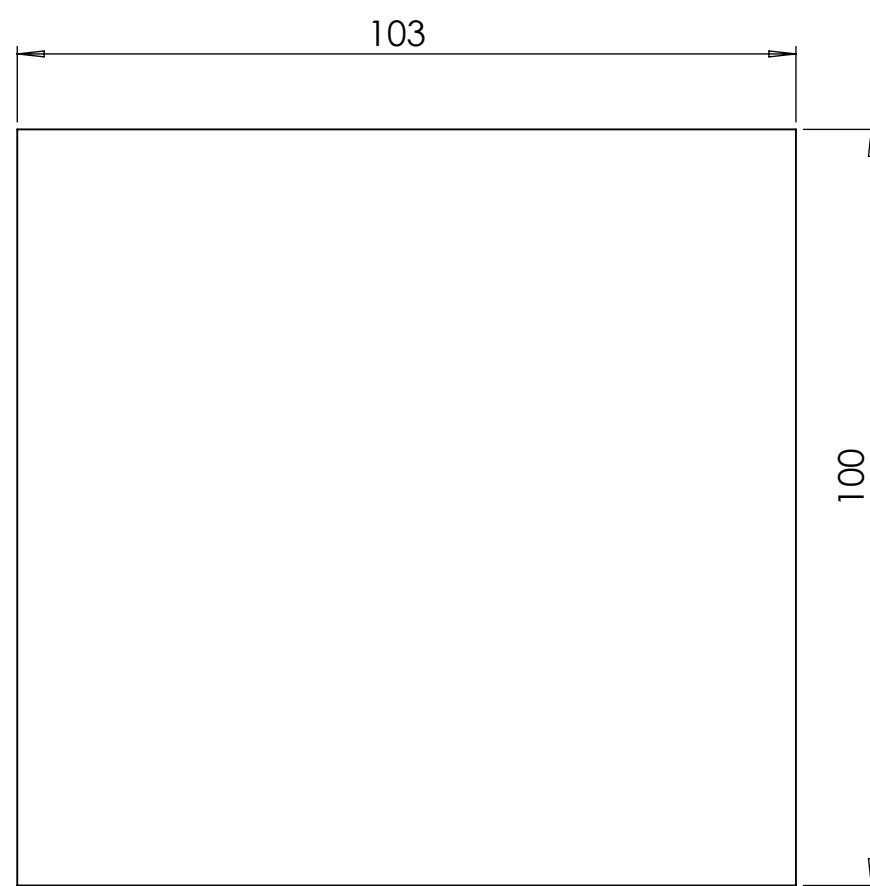
SURFACE-5



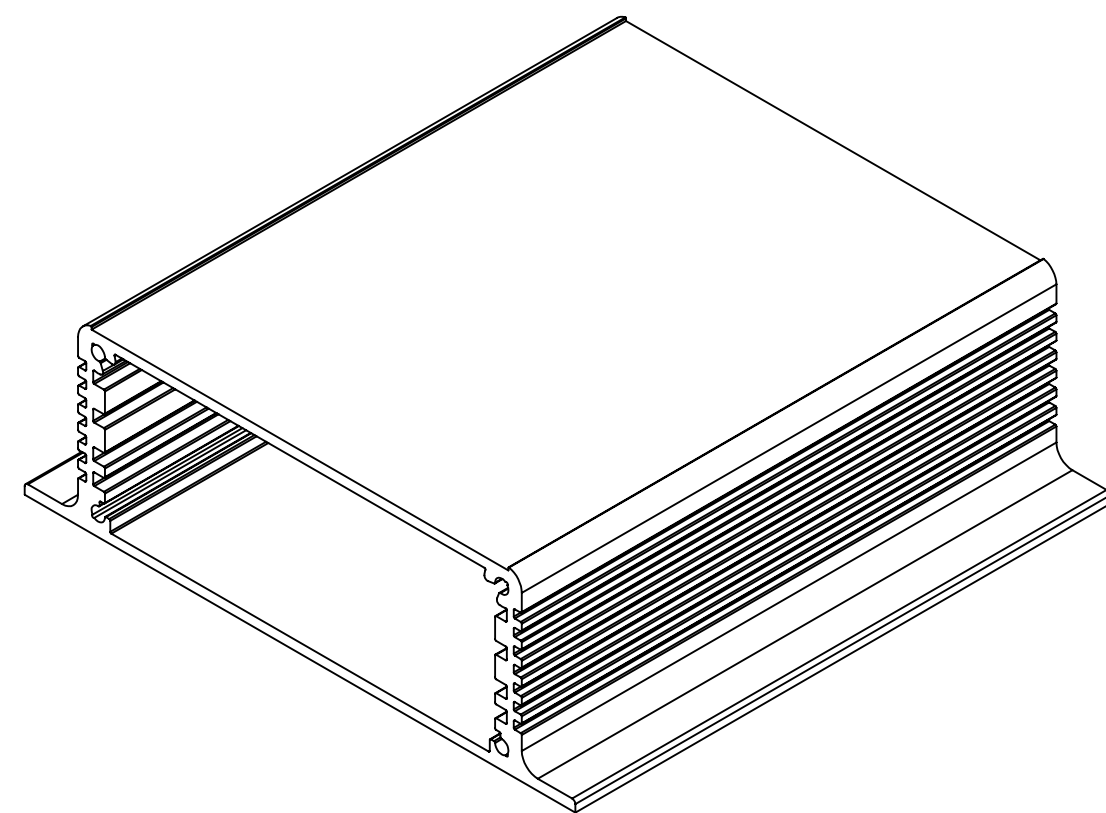
SURFACE-4



SURFACE-2



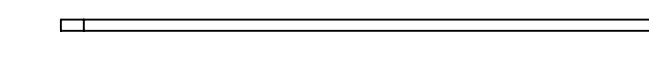
SURFACE-6



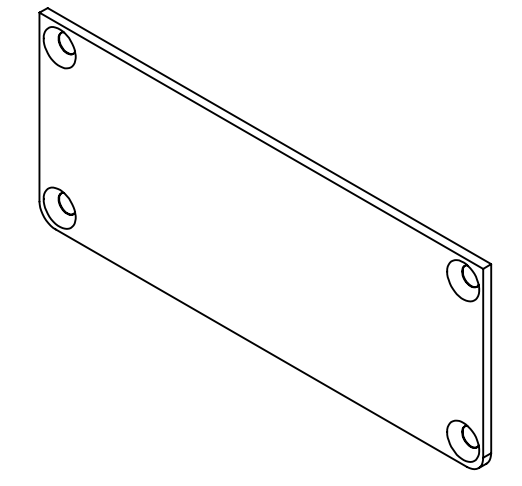
**COVER-1: 2 SURFACE**



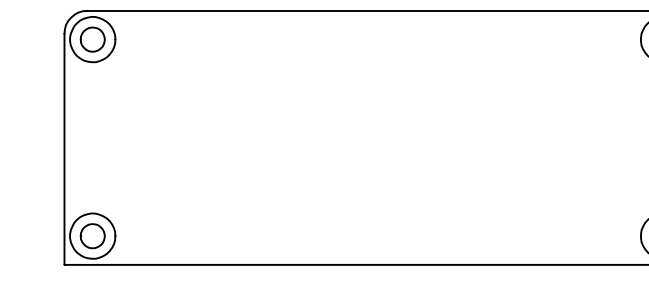
SURFACE-7



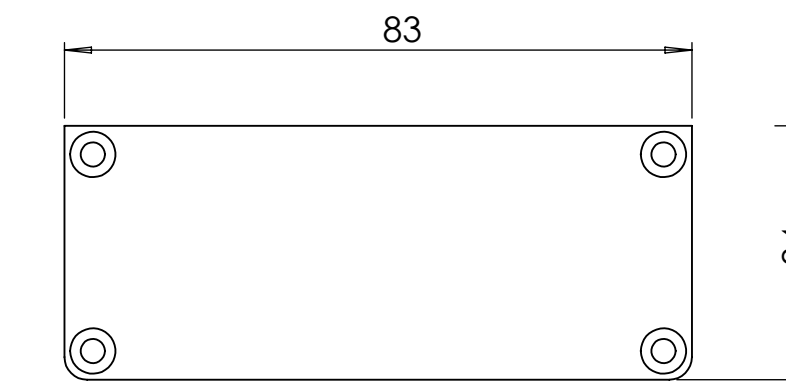
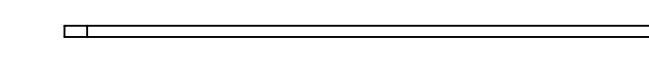
SURFACE-8  
(INSIDE)



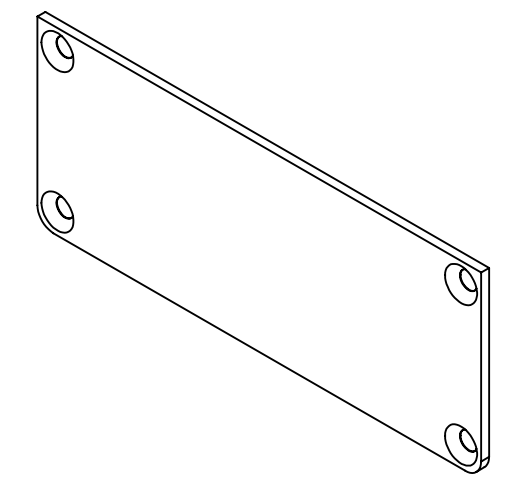
**COVER-2: 2 SURFACE**



SURFACE-9



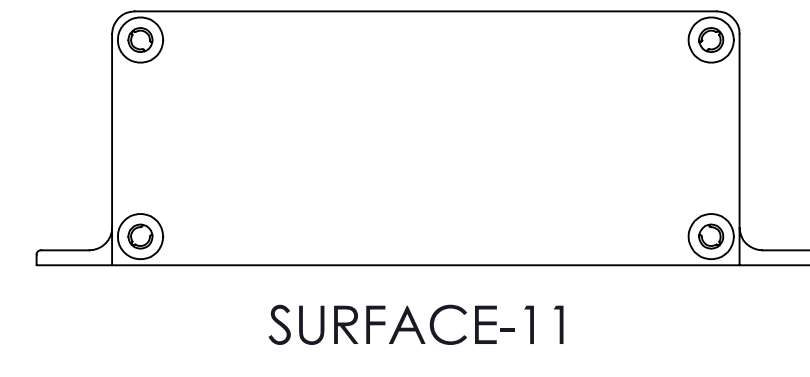
SURFACE-10  
(INSIDE)



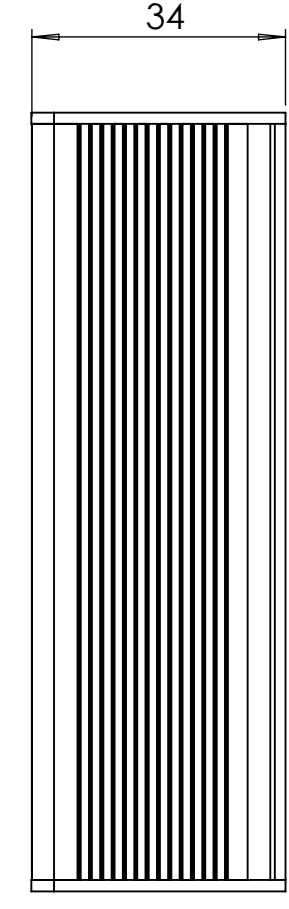
REV. NO	DATE	REVISED BY	DESCRIPTION OF CHANGE
 <b>ALTINKAYA</b> Electronic Enclosures & Components			
Customer Name:		Customer Ref.:	
Altinkaya Ref.:		Part Name: AL-084-100	
DRAWN	NAME	DATE	Drawn From:
CHECKED	Y.YEL	11.12.2024	Weight:
DIMENSIONAL TOLERANCES UNLESS OTHERWISE SPECIFIED (DIN7168)			
0.5-3mm	3-6mm	6-30mm	30-120mm
±0.1	±0.1	±0.2	±0.3
			120-400mm
			±0.5
			m (Medium)
			SCALE 1:1
			SHEET 1 OF 2
			UNIT: mm
			A0

www.altinkaya.com

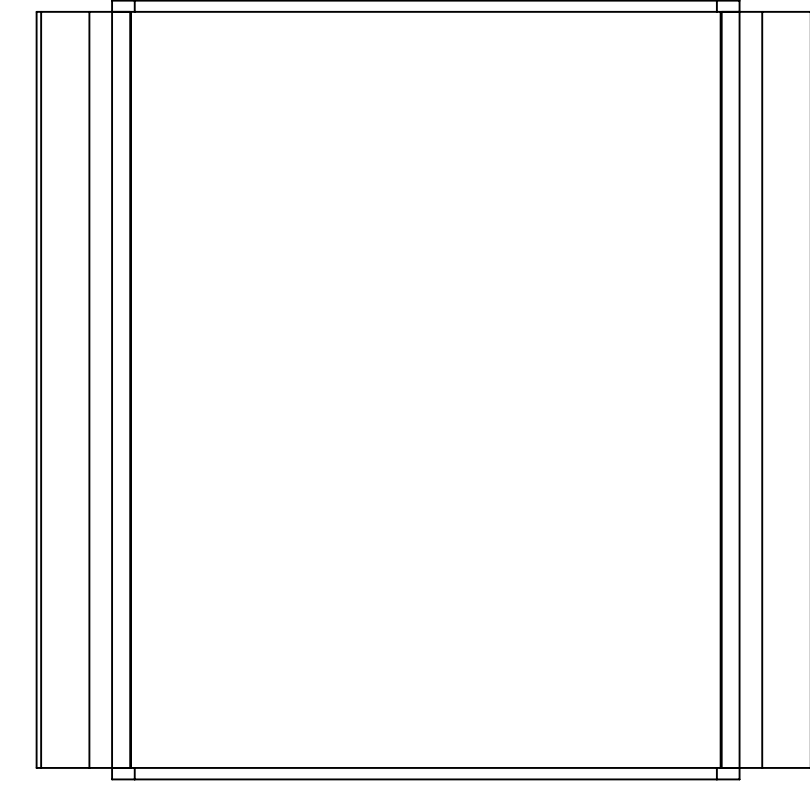
**ASSEMBLY: 6 SURFACE**



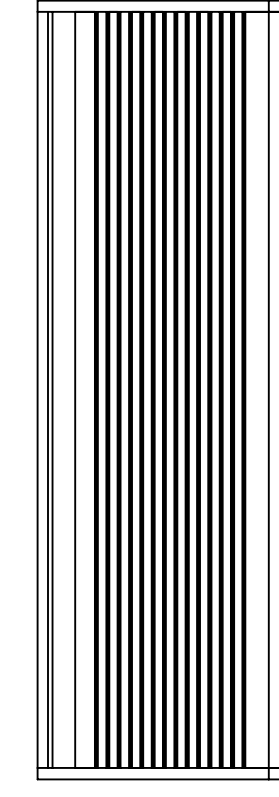
SURFACE-11



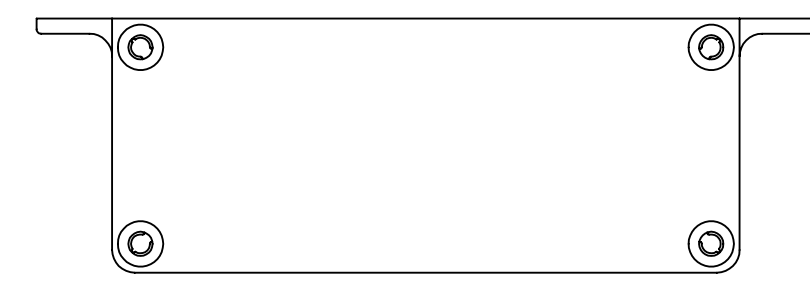
SURFACE-13



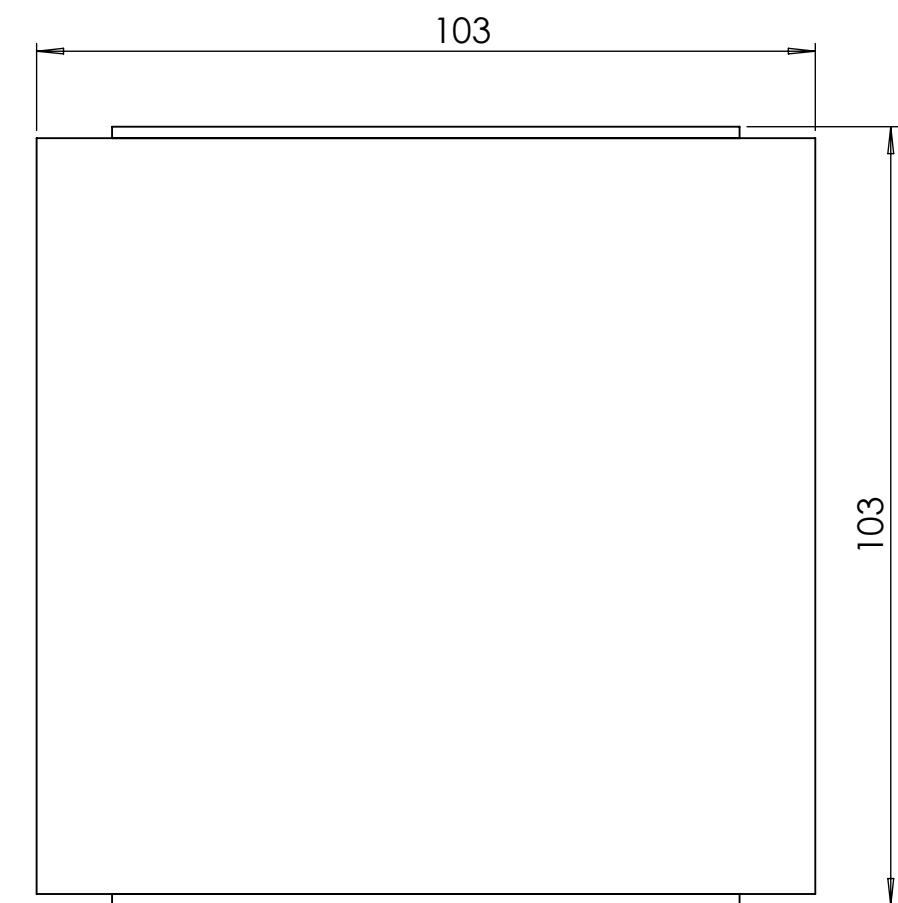
SURFACE-15



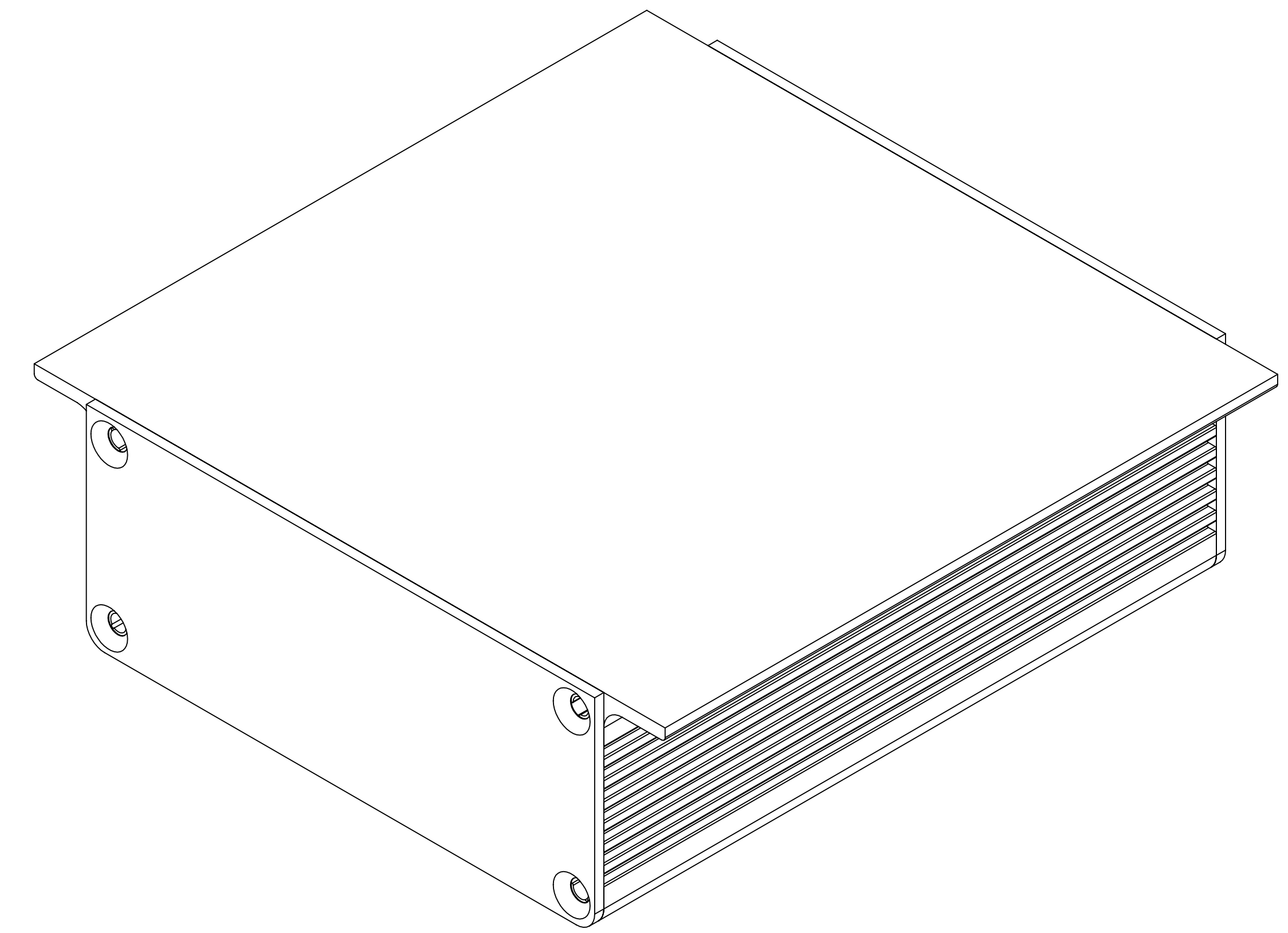
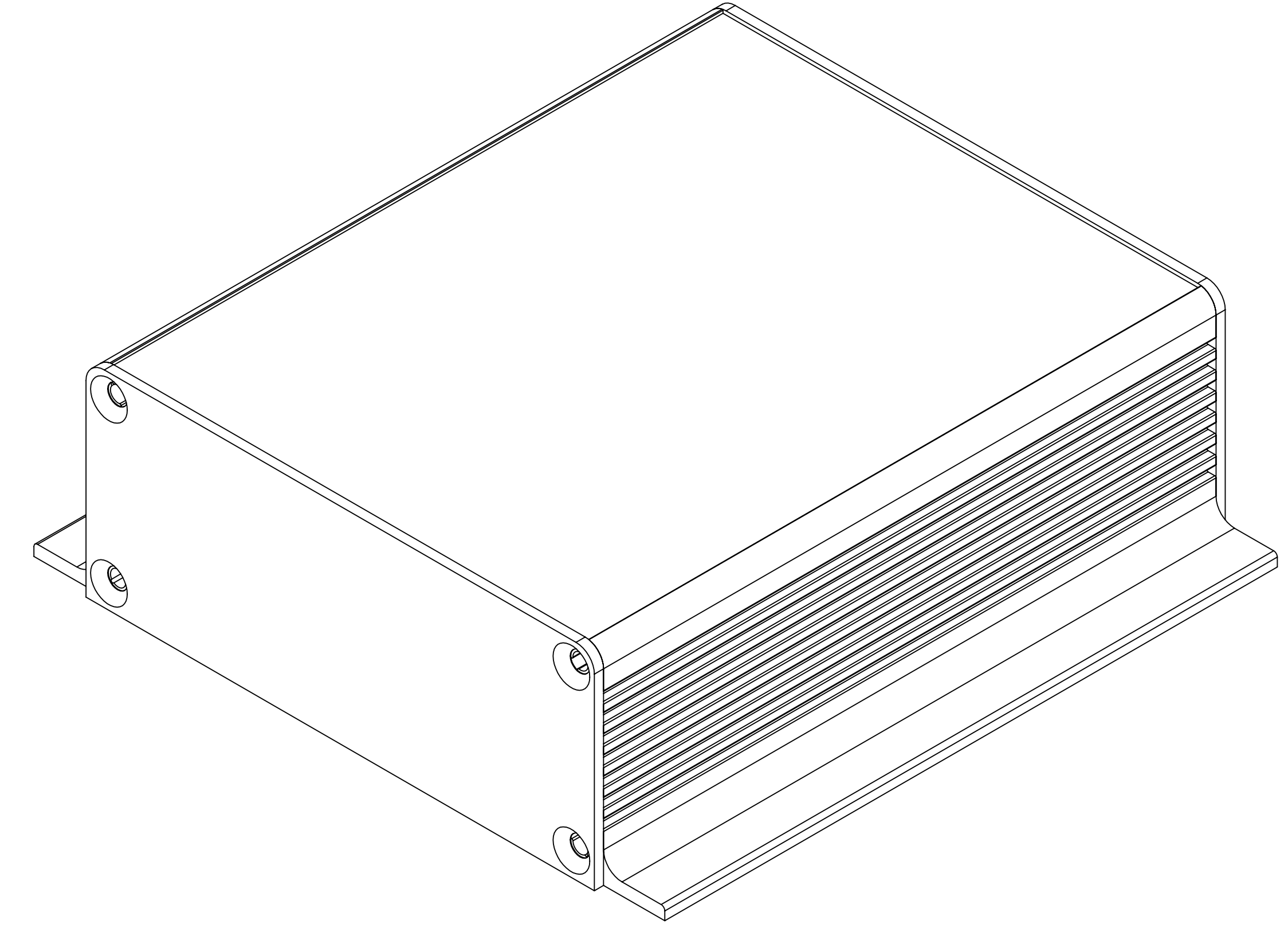
SURFACE-14




SURFACE-12



SURFACE-16



REV. NO	DATE	REVISED BY	DESCRIPTION OF CHANGE			
 <b>ALTINKAYA</b> Electronic Enclosures & Components			<a href="http://www.altinkaya.com">www.altinkaya.com</a>			
Customer Name:		Customer Ref.:				
Altinkaya Ref.:		Part Name: AL-084-100				
DRAWN	NAME	DATE	Drawn From:		SCALE 1:1	
CHECKED	Y.YEL	11.12.2024	Material:		SHEET 2 OF 2	
DIMENSIONAL TOLERANCES UNLESS OTHERWISE SPECIFIED (DIN7168)			0.5-3mm	3-6mm	6-30mm	
			±0.1	±0.1	±0.2	
			±0.2	±0.3	±0.5	
			Dimension (mm)			
			m (Medium)			
			UNIT: mm			
			A0			