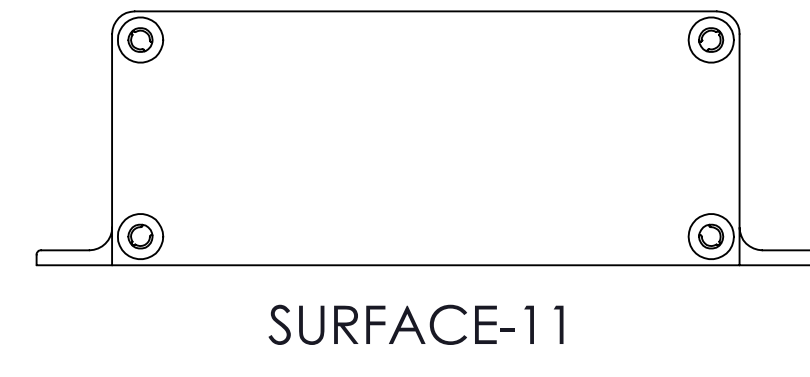
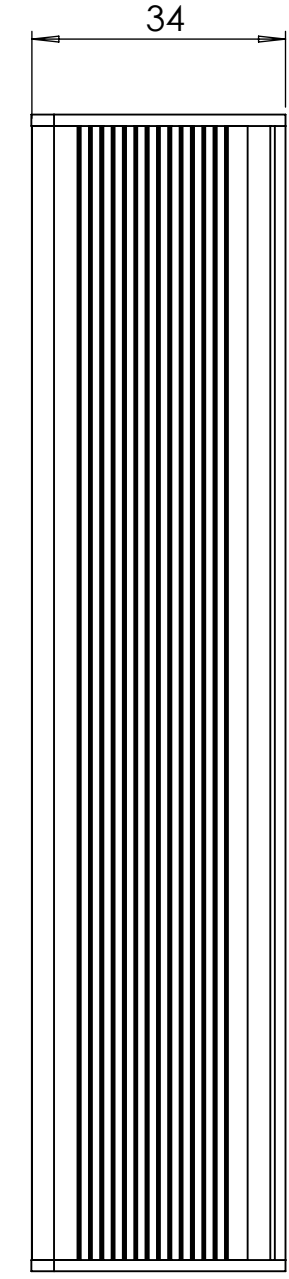


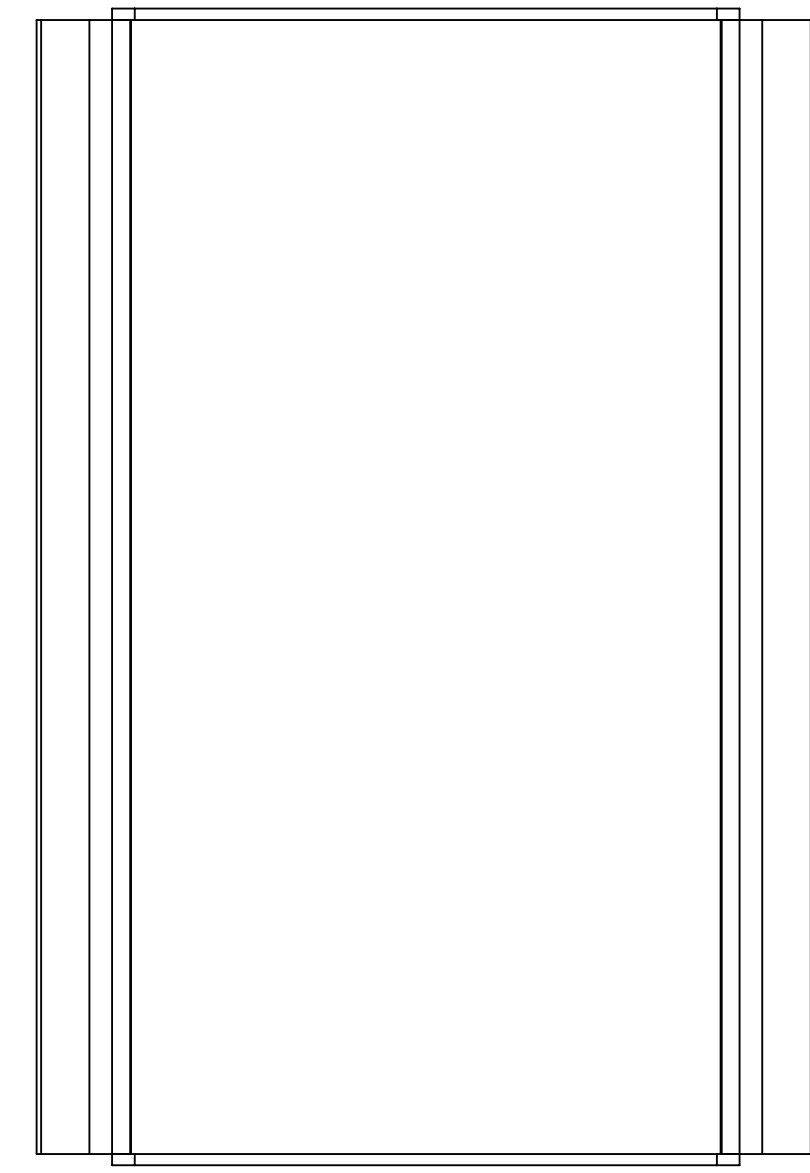
ASSEMBLY: 6 SURFACE



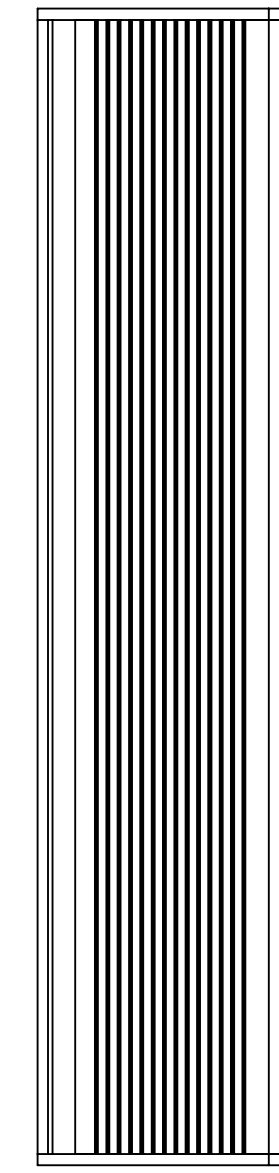
SURFACE-11



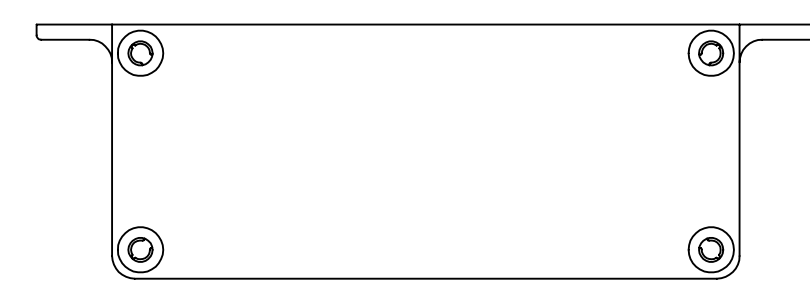
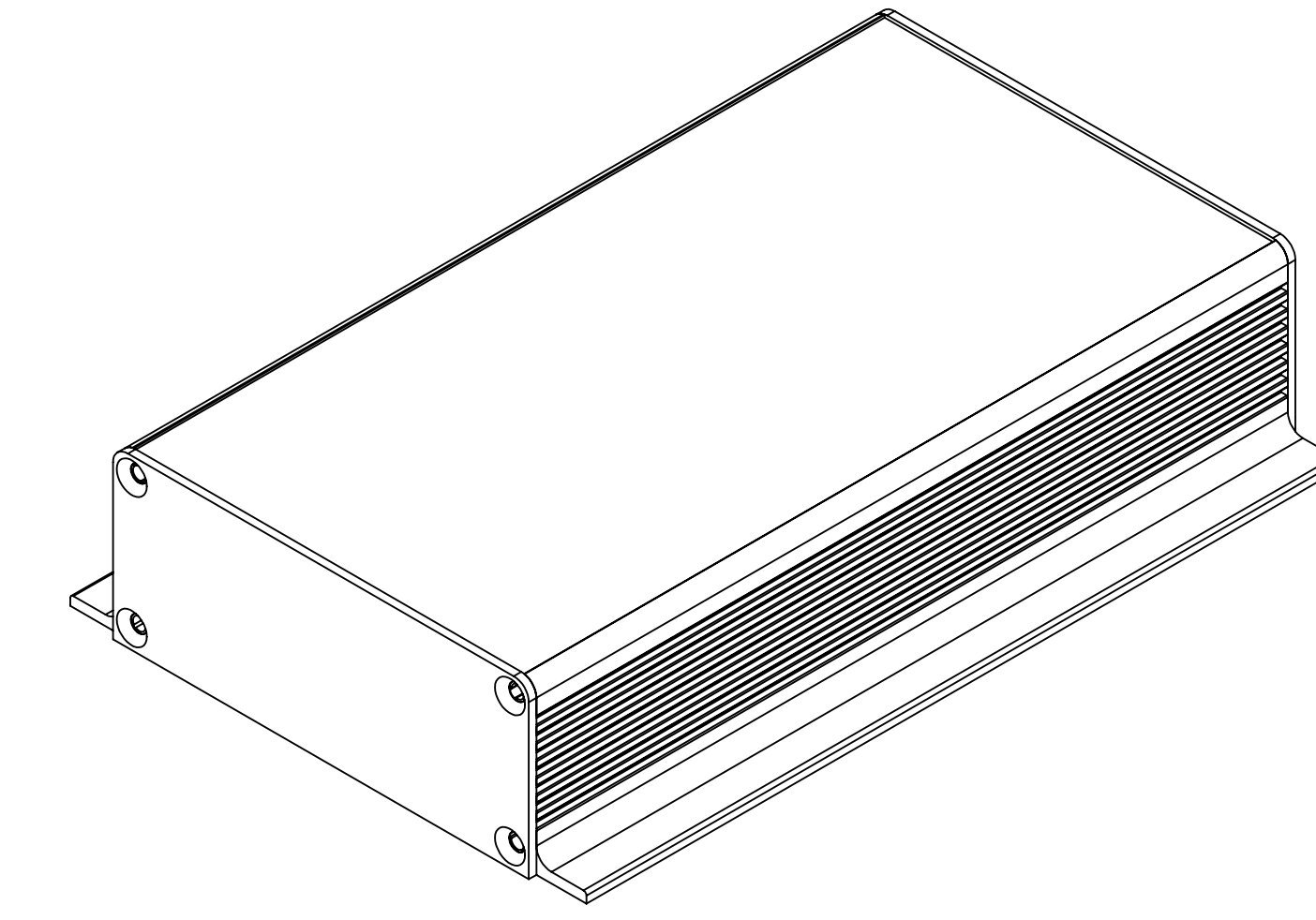
SURFACE-13



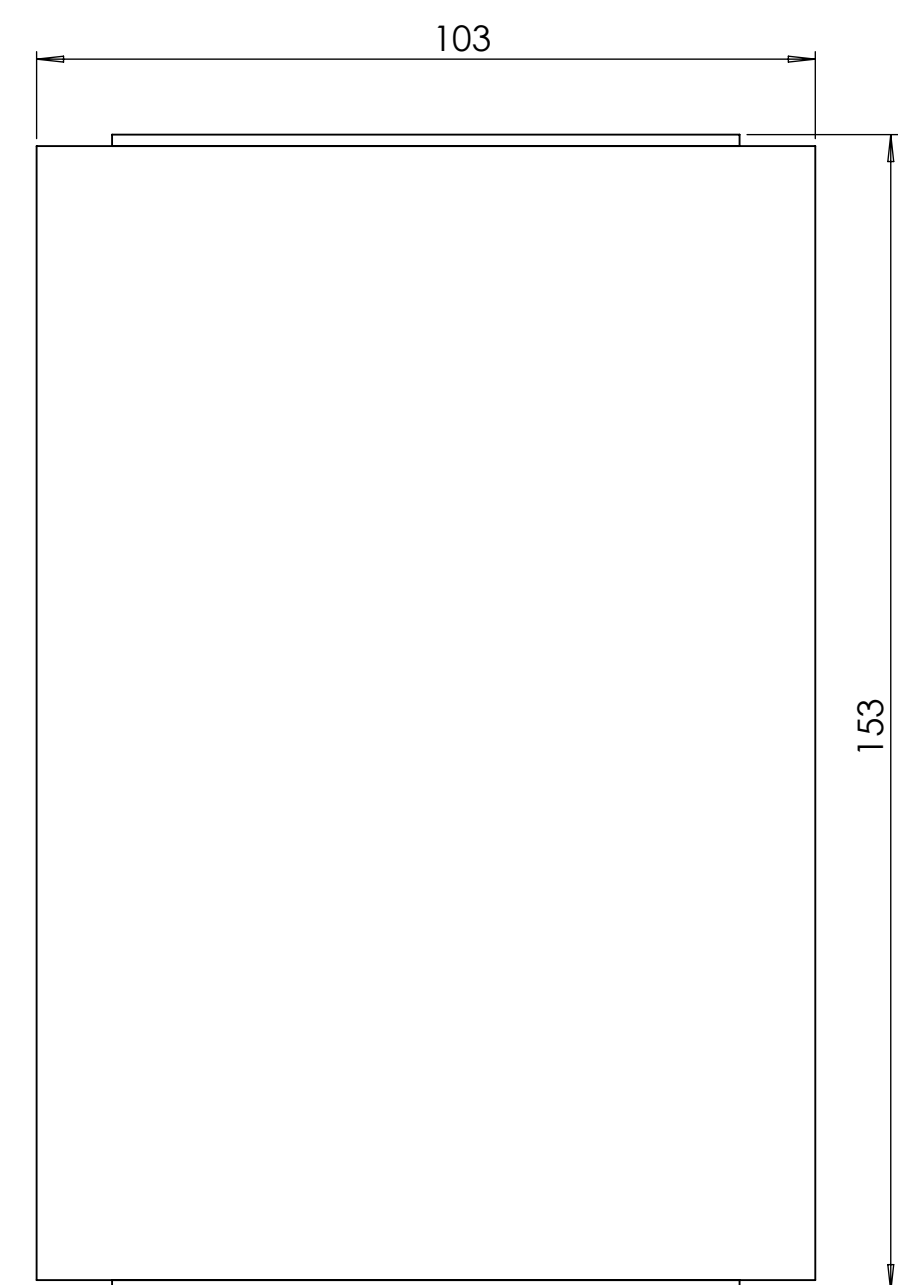
SURFACE-15



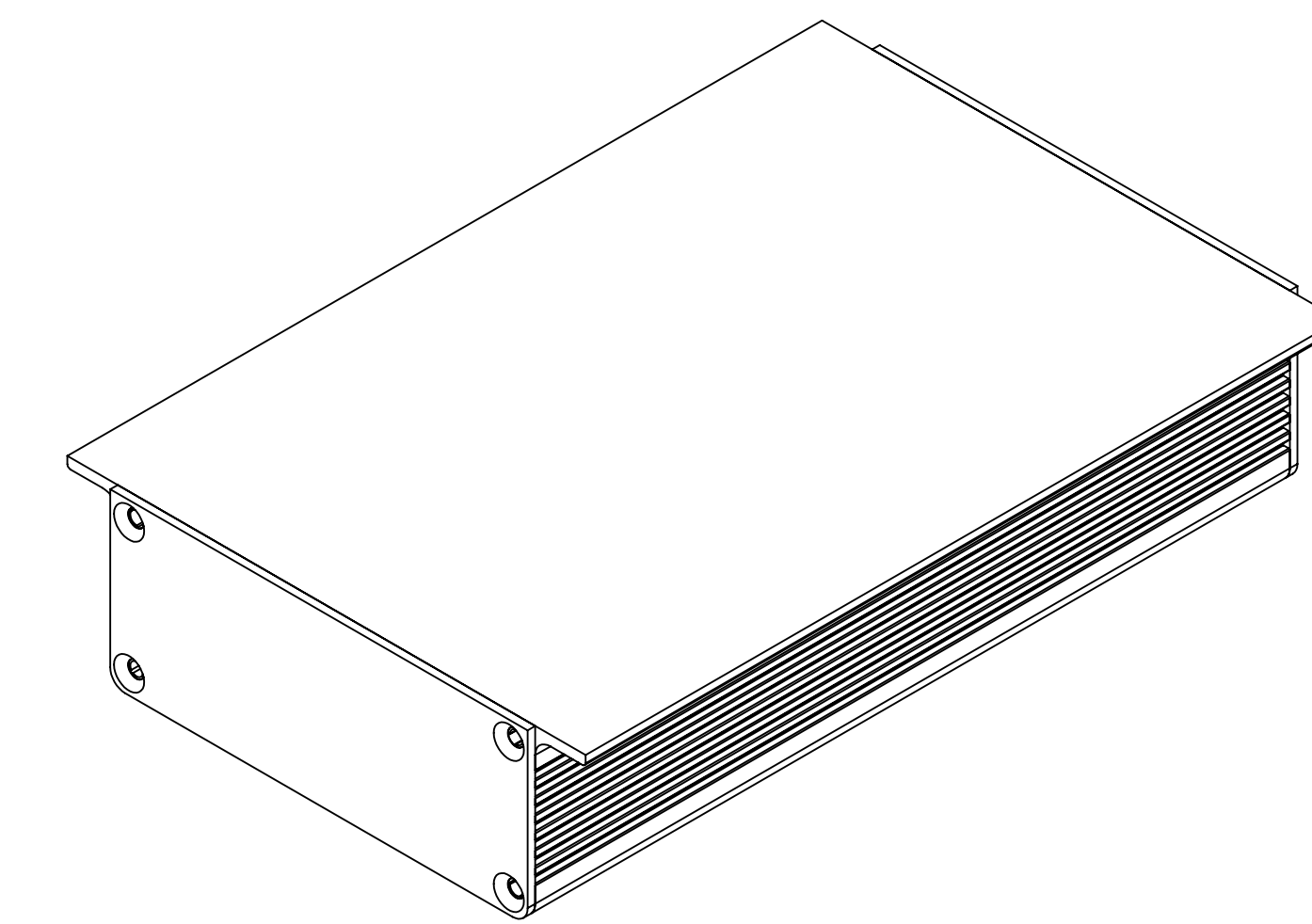
SURFACE-14




SURFACE-12



SURFACE-16



REV. NO.	DATE	REVISED BY	DESCRIPTION OF CHANGE
 ALTINKAYA Electronic Enclosures & Components			www.altinkaya.com
Customer Name:		Customer Ref.:	
Altinkaya Ref.:		Part Name: AL-084-150	
DRAWN	NAME	DATE	Drawn From:
CHECKED	Y.YEL	11.12.2024	Material:
DIMENSIONAL TOLERANCES UNLESS OTHERWISE SPECIFIED (DIN7168)			SCALE 1:1 SHEET 2 OF 2
	0.5-3mm	3-6mm	6-30mm
	±0.1	±0.1	±0.2
			±0.3
			±0.5
			m (Medium)
			UNIT: mm