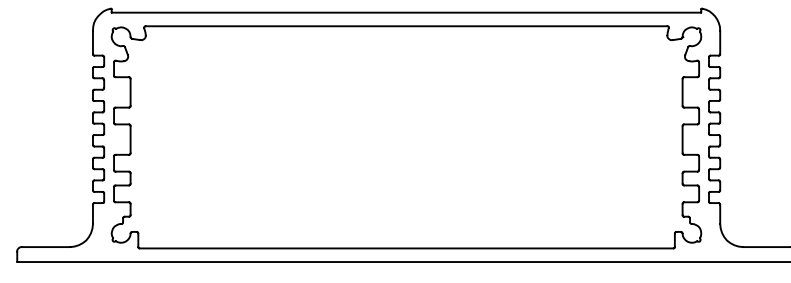
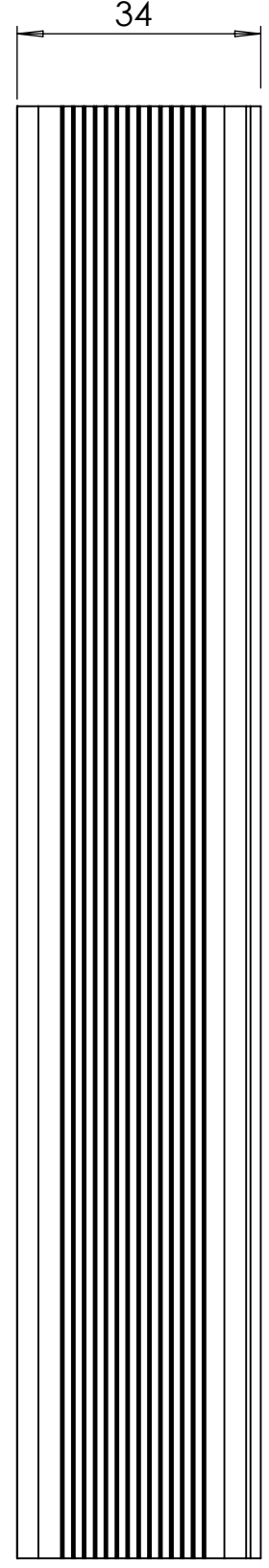


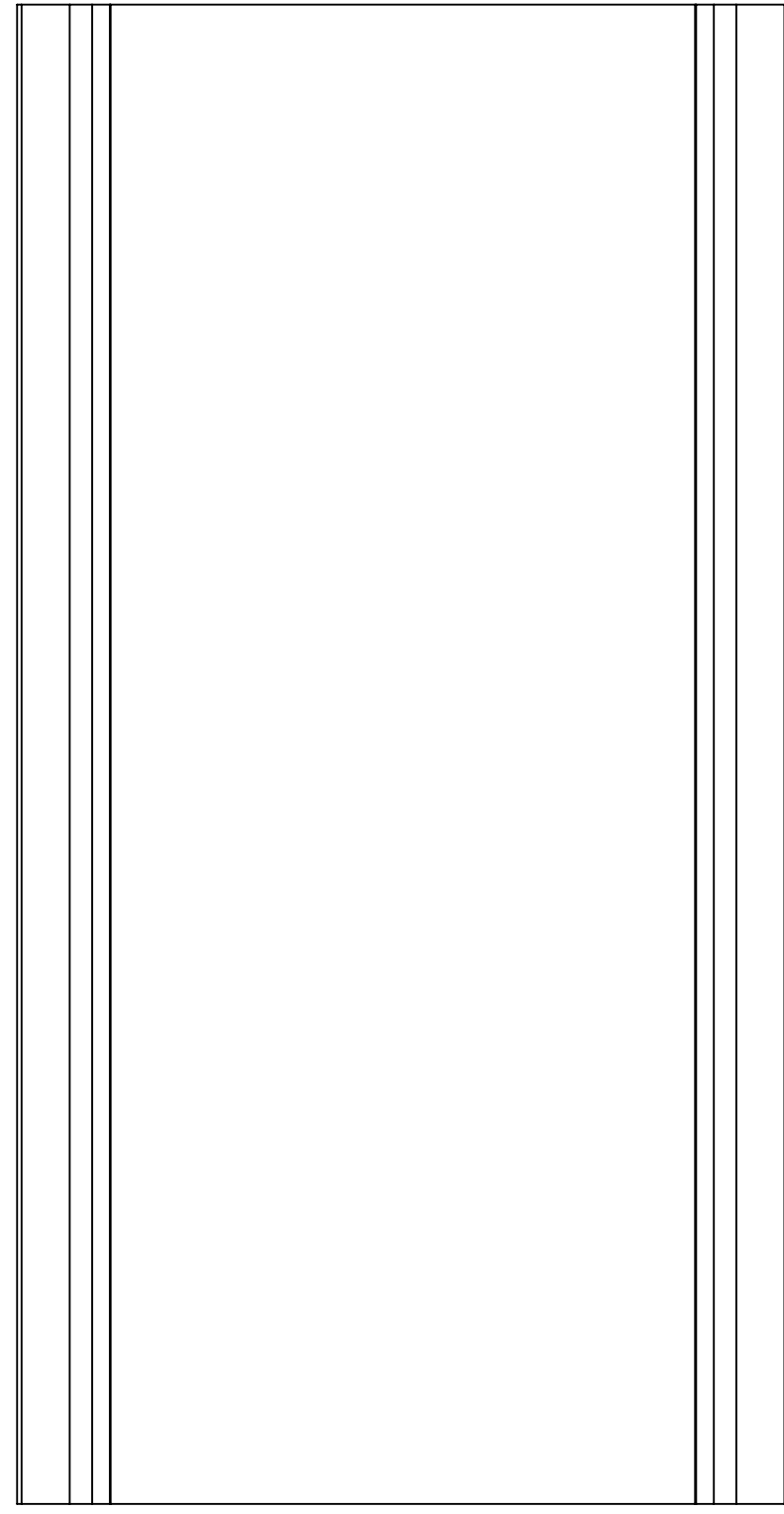
BASE: 6 SURFACE



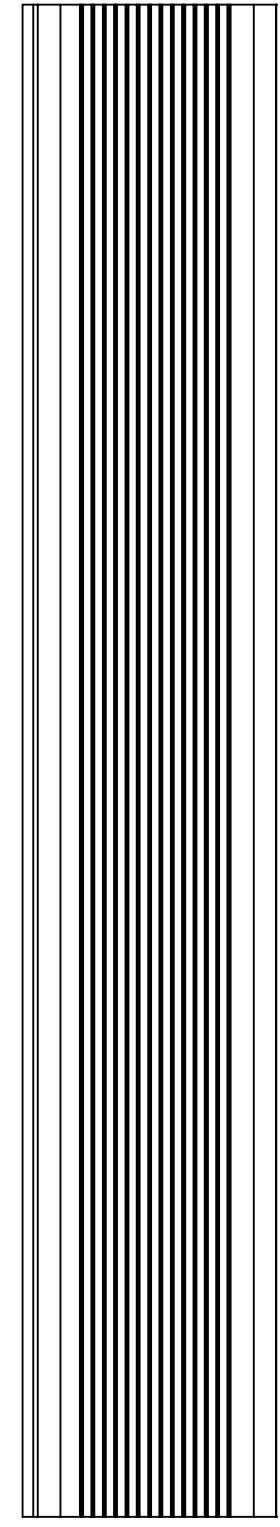
SURFACE-1



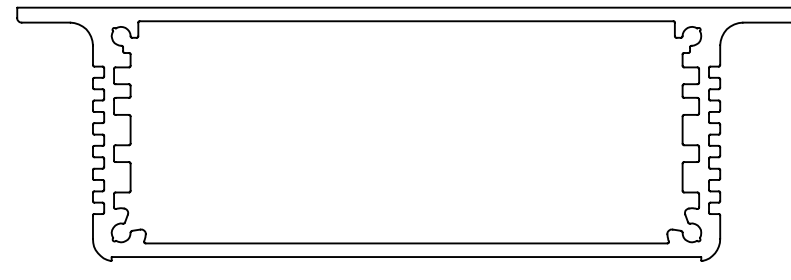
SURFACE-3



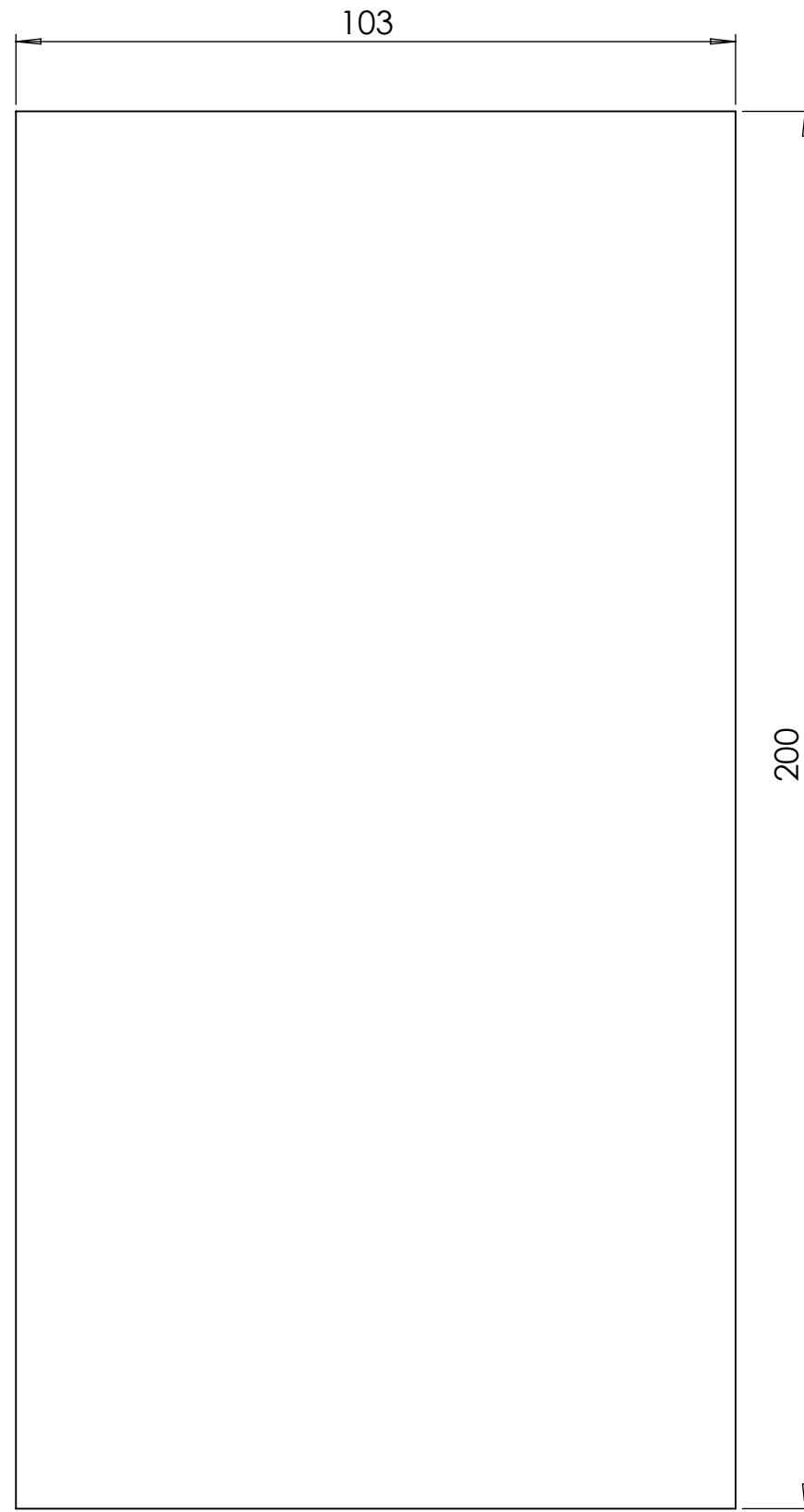
SURFACE-5



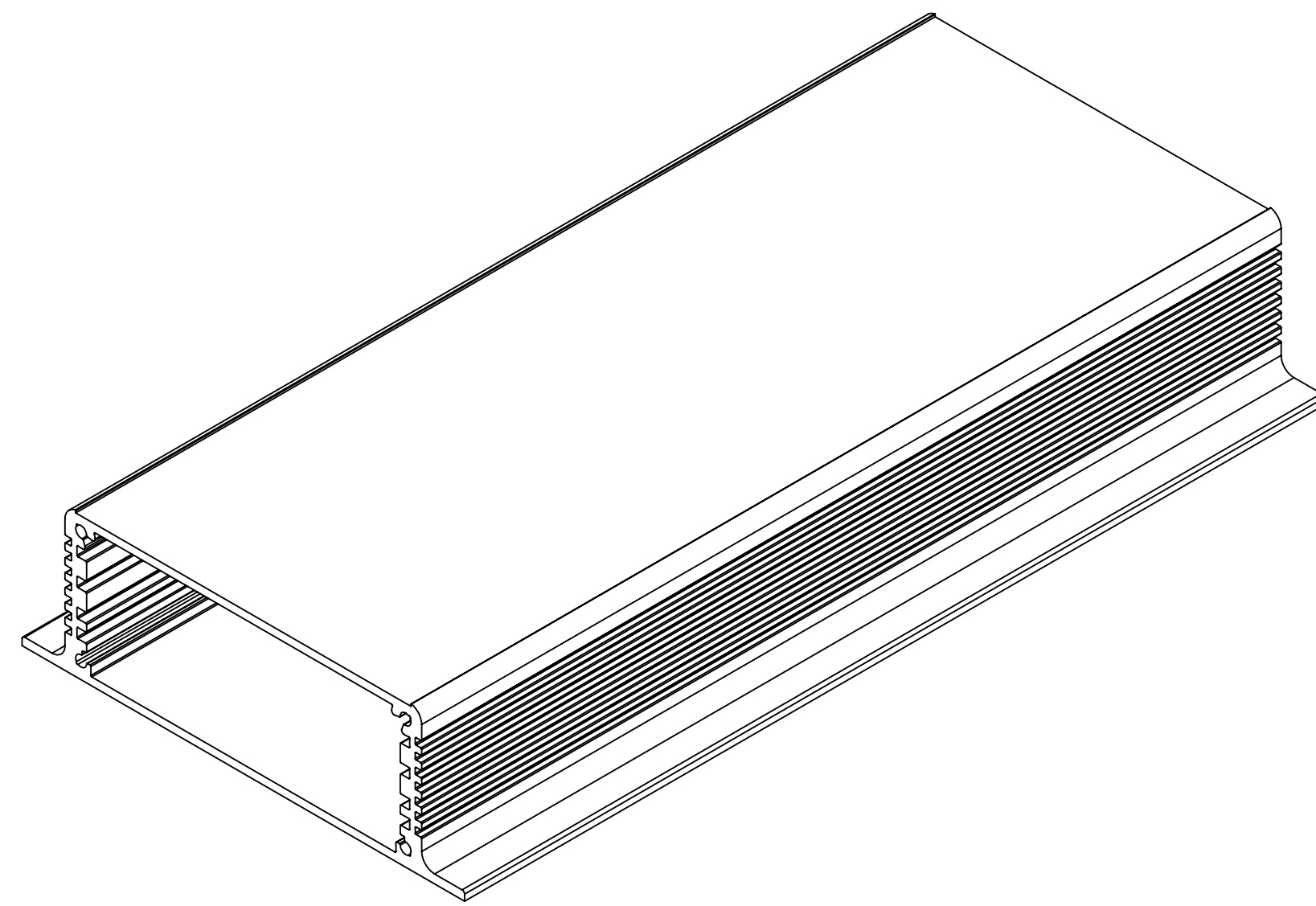
SURFACE-4



SURFACE-2



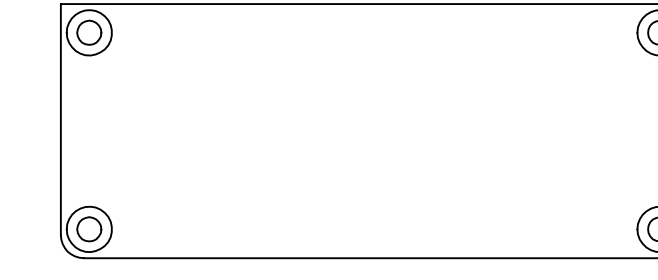
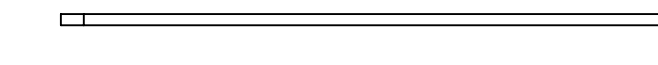
SURFACE-6



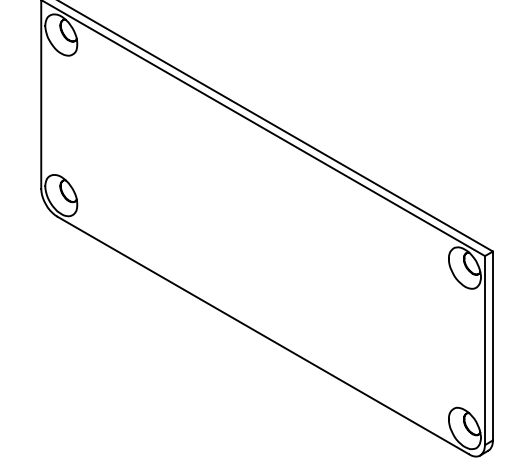
COVER-1: 2 SURFACE



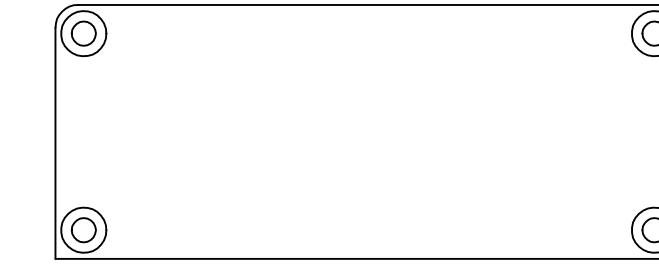
SURFACE-7



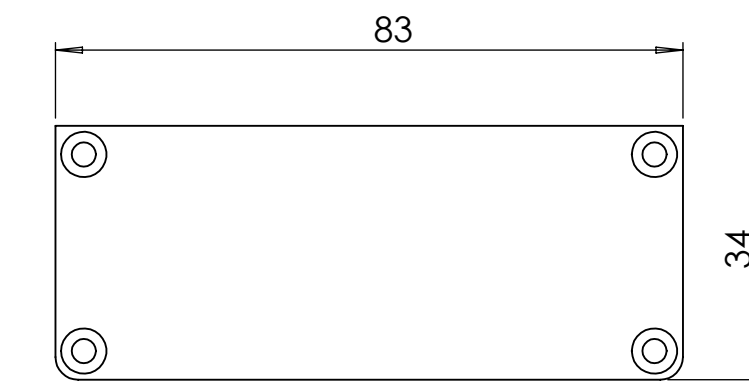
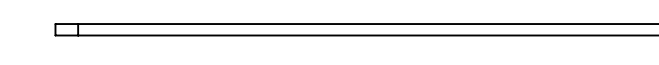
SURFACE-8 (INSIDE)



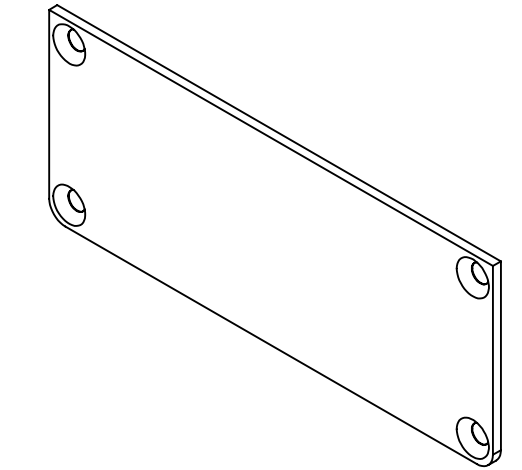
COVER-2: 2 SURFACE



SURFACE-9

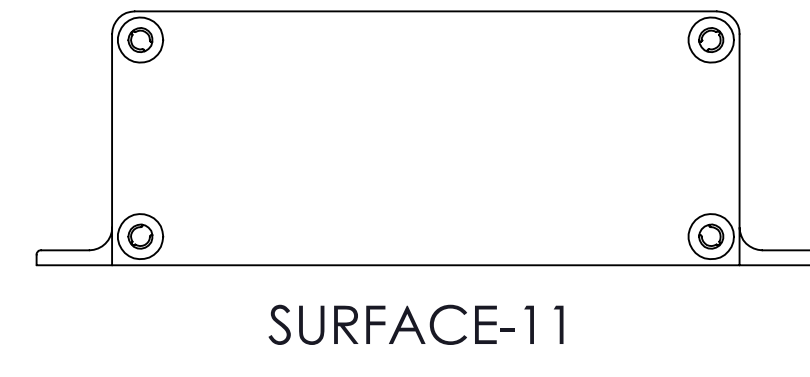


SURFACE-10 (INSIDE)

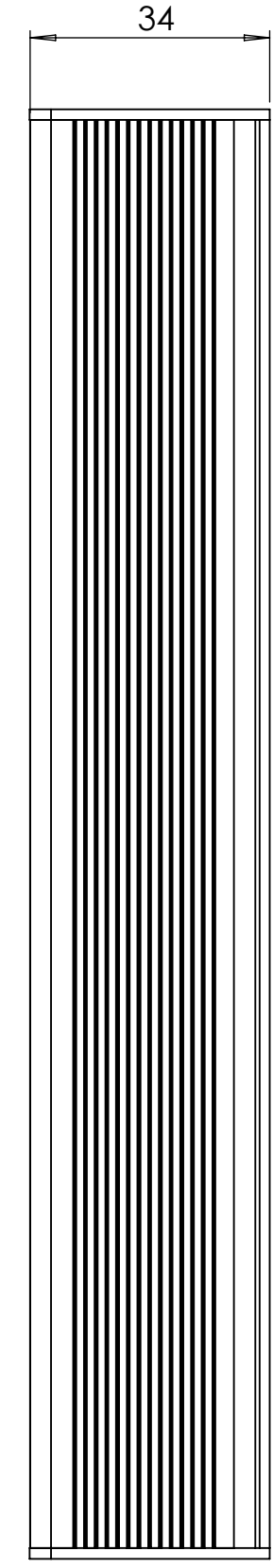


| REV. NO | DATE | REVISED BY | DESCRIPTION OF CHANGE |
|---|-------|-----------------------|-----------------------|
| ALTINKAYA Electronic Enclosures & Components | | | |
| Customer Name: | | Customer Ref.: | |
| Altinkaya Ref.: | | Part Name: AL-084-200 | |
| DRAWN | NAME | DATE | Drawn From: |
| CHECKED | Y.YEL | 11.12.2024 | Material: |
| DIMENSIONAL TOLERANCES UNLESS OTHERWISE SPECIFIED (DIN7168) | | | |
| ±0.1 | ±0.1 | ±0.2 | ±0.3 ±0.5 |
| Dimension (mm) | | | SCALE 1:1 |
| | | | SHEET 01 OF 2 |
| | | | UNIT: mm |
| | | | A0 |
| | | | www.altinkaya.com |

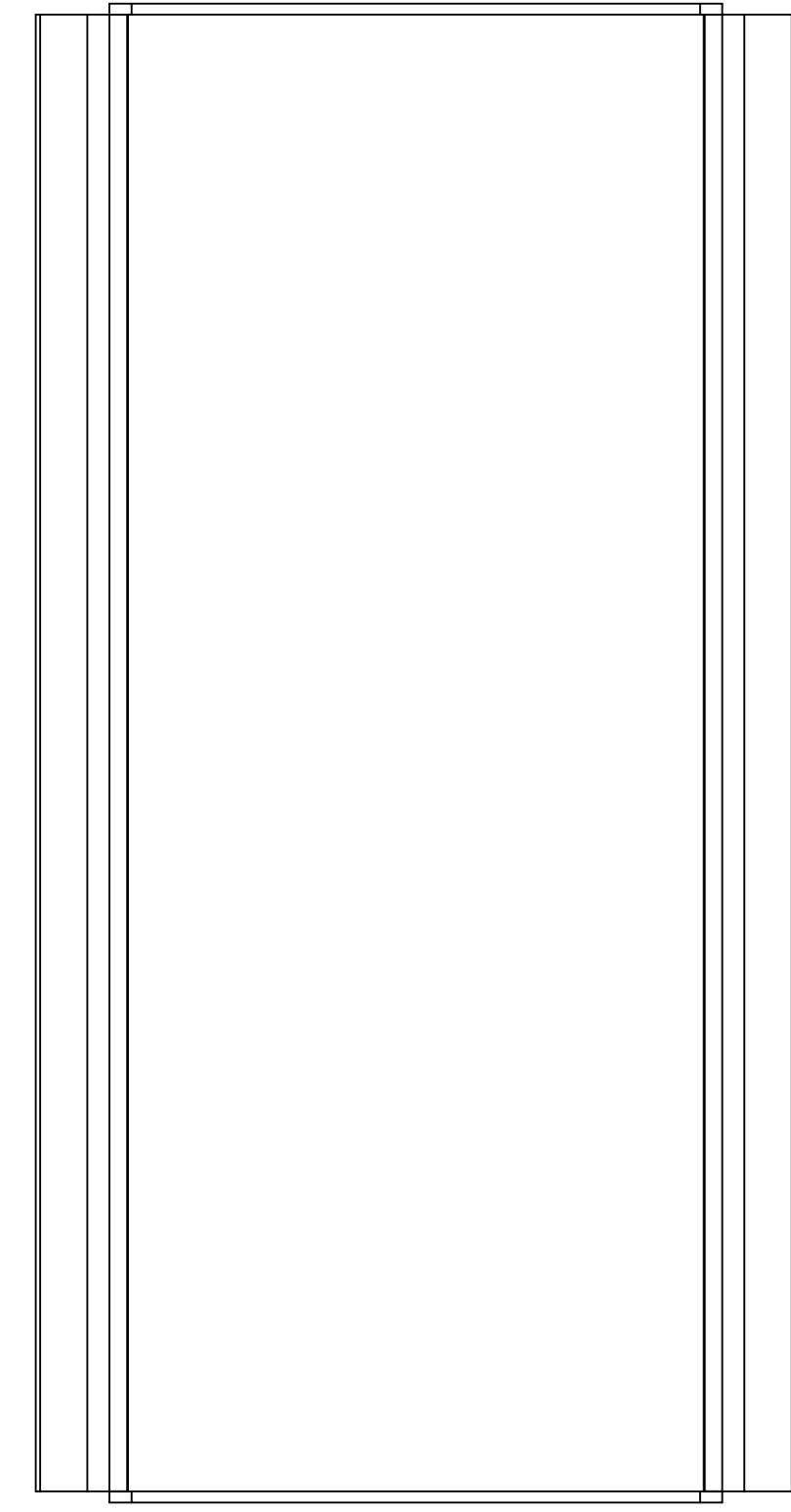
ASSEMBLY: 6 SURFACE



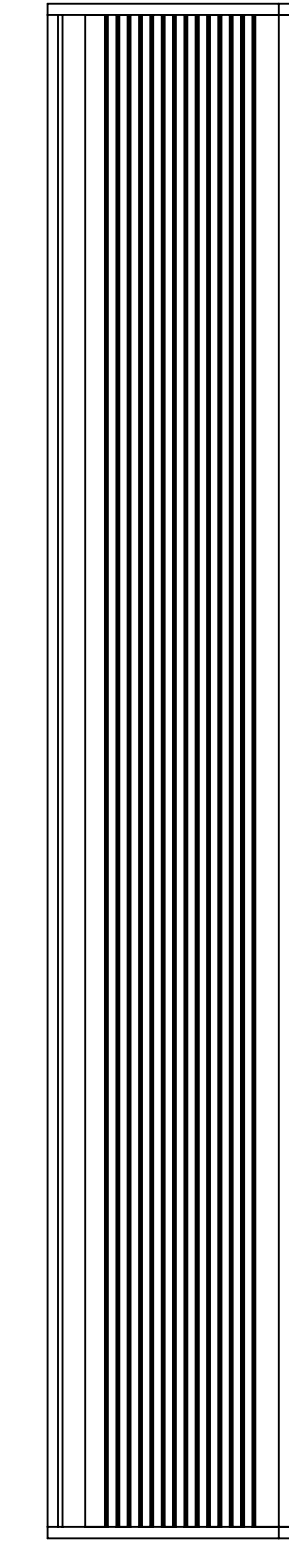
SURFACE-11



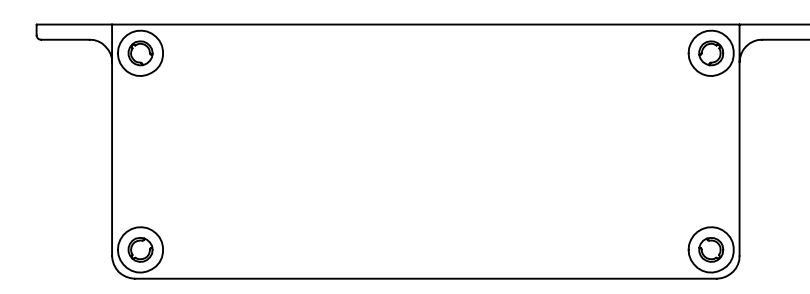
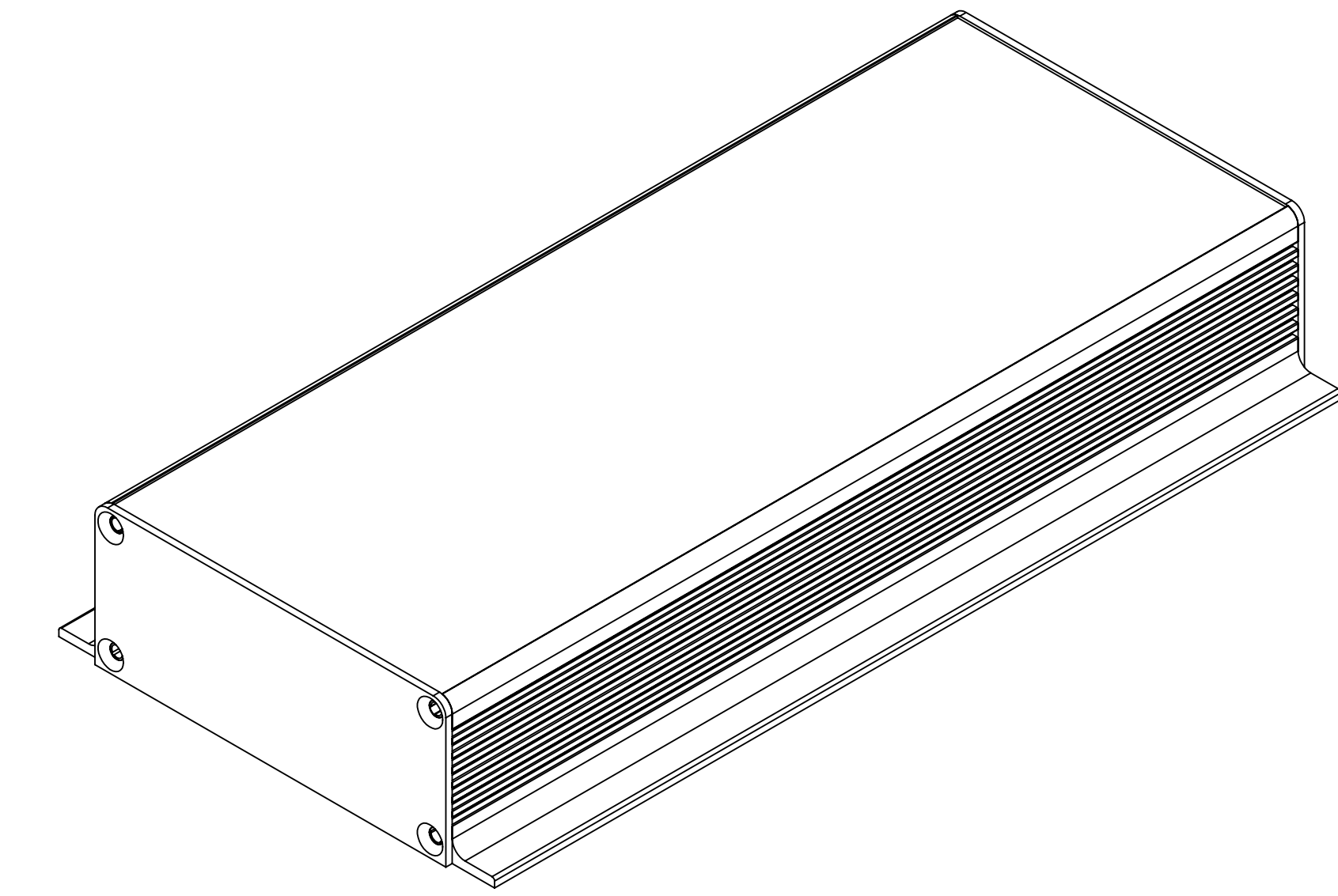
SURFACE-13



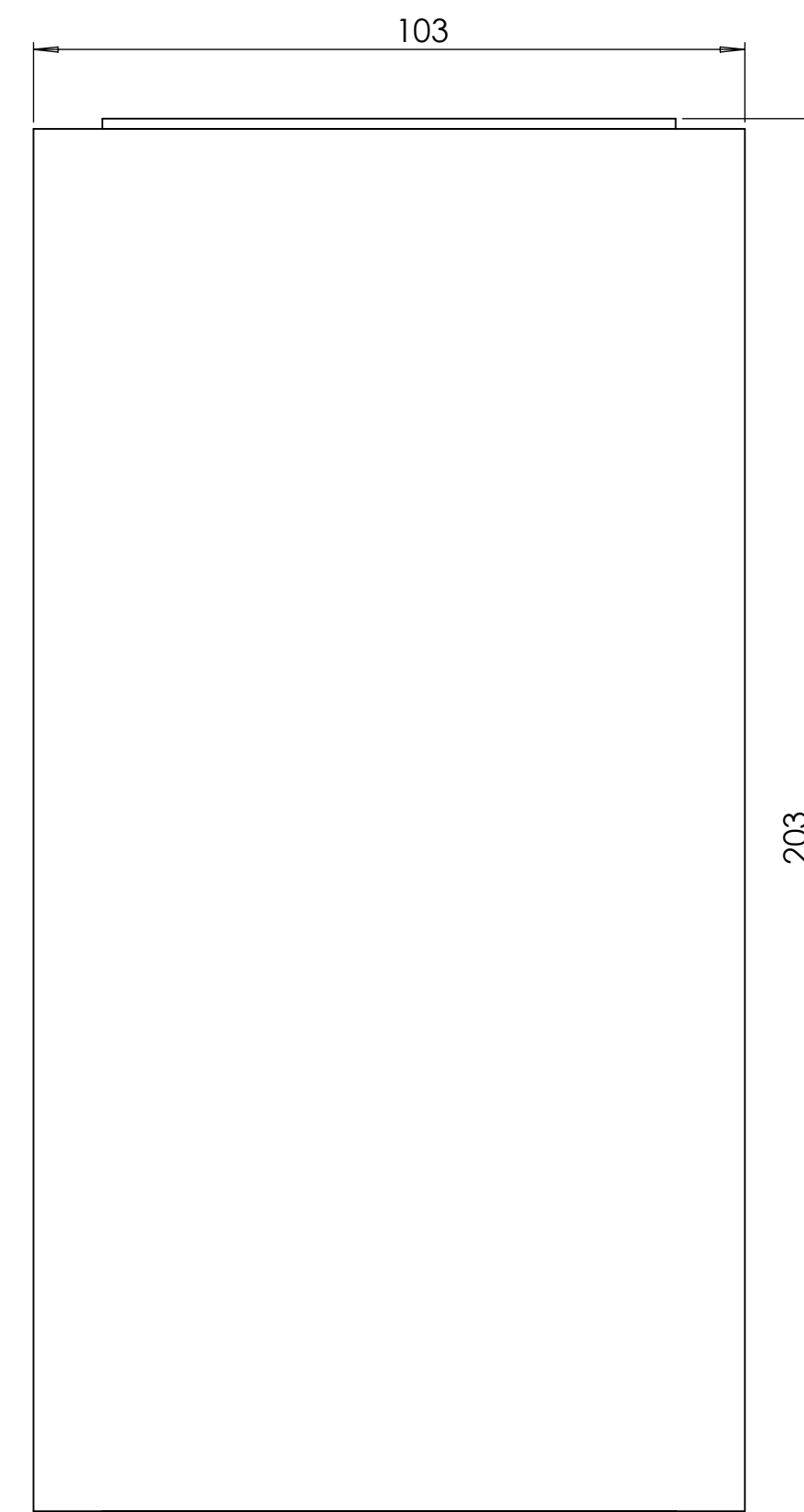
SURFACE-15



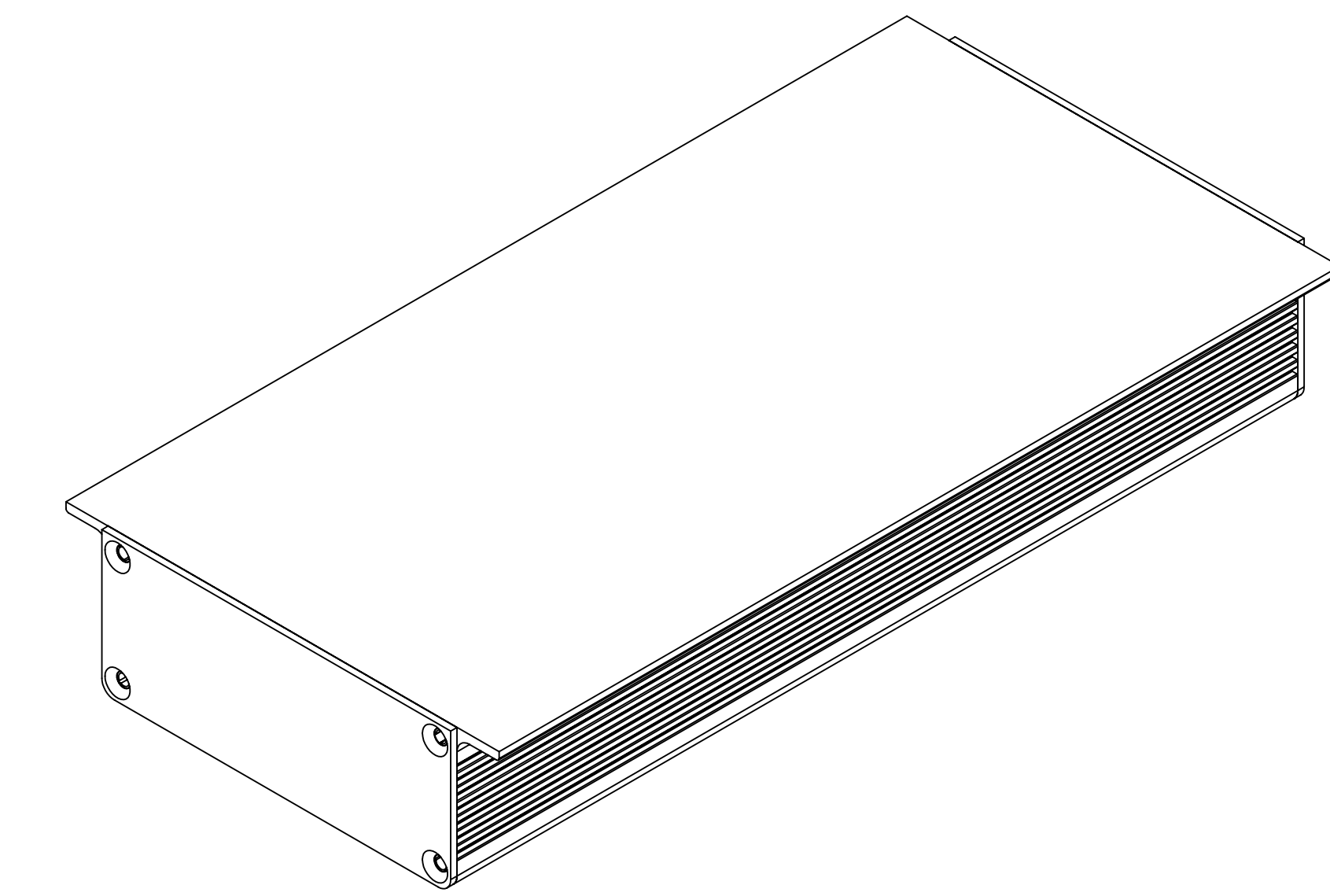
SURFACE-14




SURFACE-12



SURFACE-16



| REV. NO. | DATE | REVISED BY | DESCRIPTION OF CHANGE |
|--|---------|-----------------------|-----------------------|
|  ALTINKAYA Electronic Enclosures & Components | | | |
| Customer Name: | | Customer Ref.: | |
| Altinkaya Ref.: | | Part Name: AL-084-200 | |
| DRAWN | NAME | DATE | Drawn From: |
| CHECKED | Y.YEL | 11.12.2024 | Weight: |
| DIMENSIONAL TOLERANCES UNLESS OTHERWISE SPECIFIED (DIN7168) | | | |
| | 0.5-3mm | 3-6mm | 6-30mm |
| | ±0.1 | ±0.1 | ±0.2 |
| | | | ±0.3 |
| | | | ±0.5 |
| | | | m (Medium) |
| SCALE 1:1 | | | SHEET 2 OF 2 |
| UNIT: mm | | | A0 |
| www.altinkaya.com | | | |