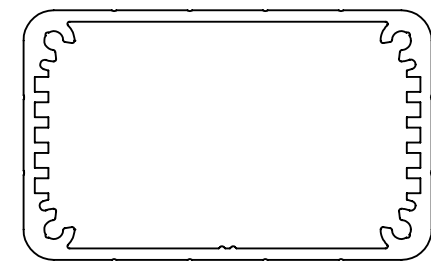
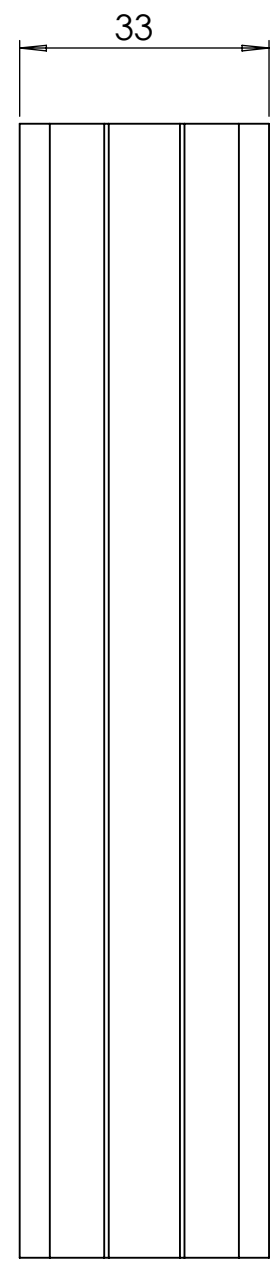


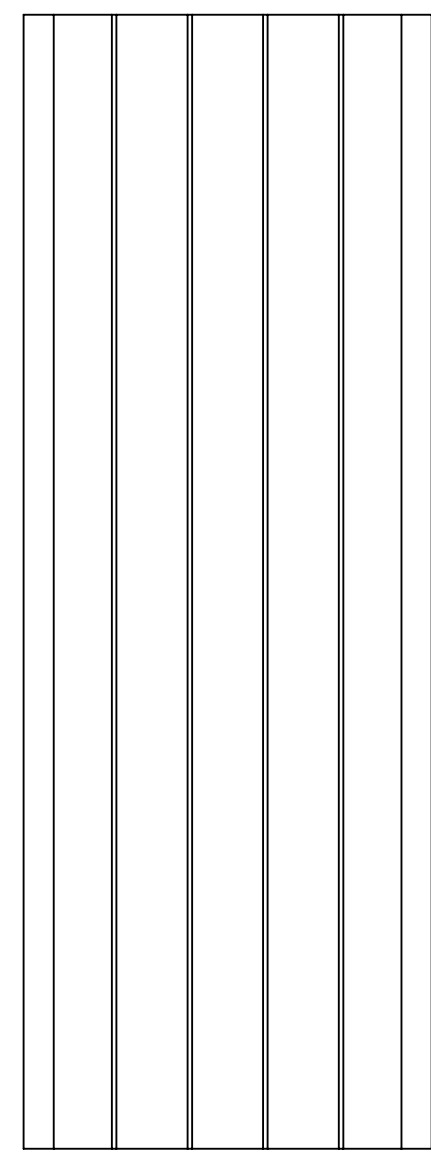
**BASE: 6 SURFACE**



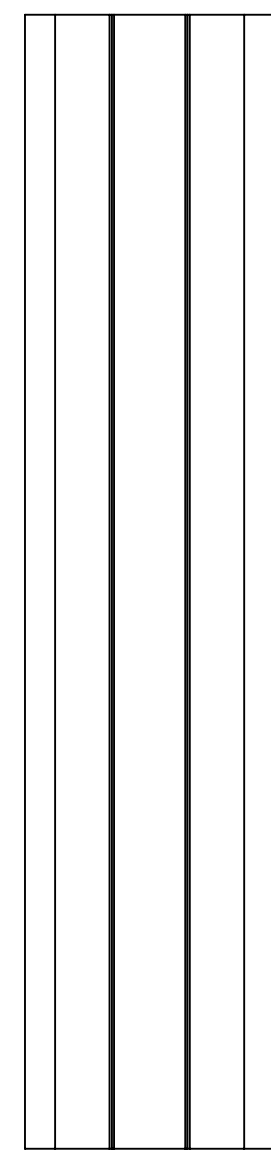
SURFACE-1



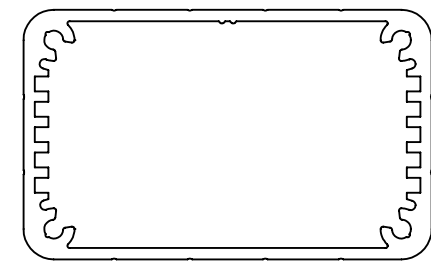
SURFACE-3



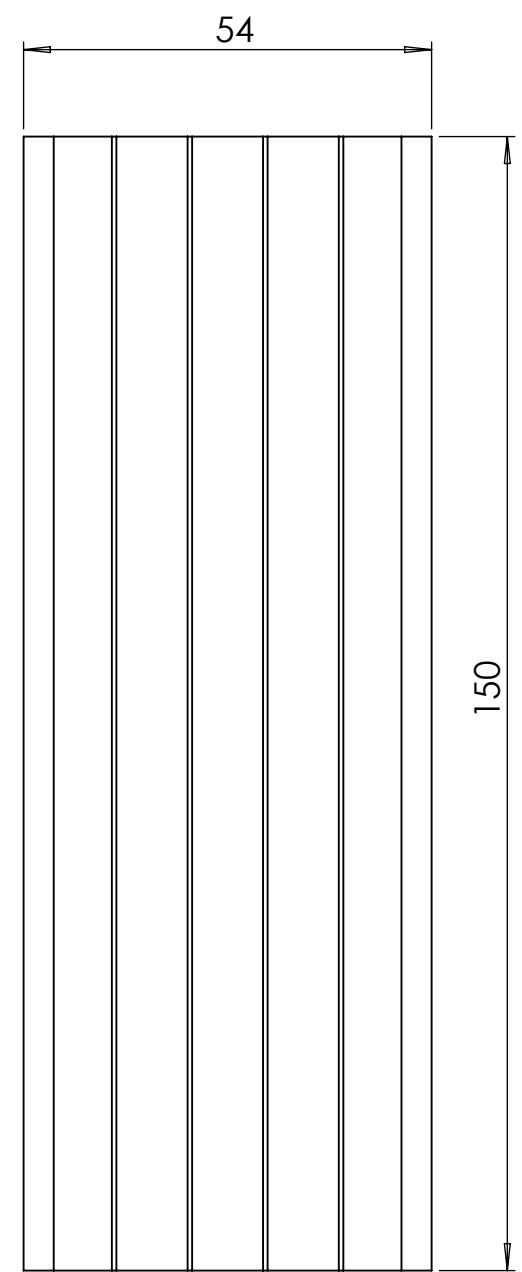
SURFACE-5



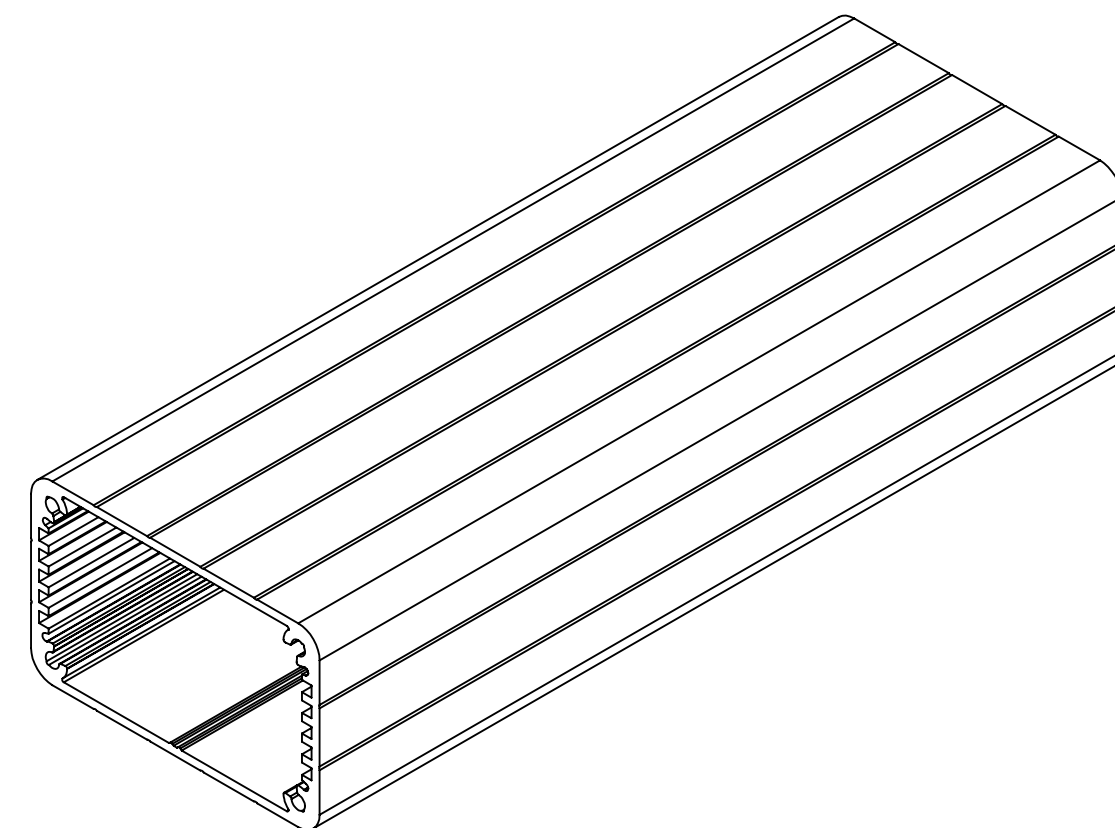
SURFACE-4



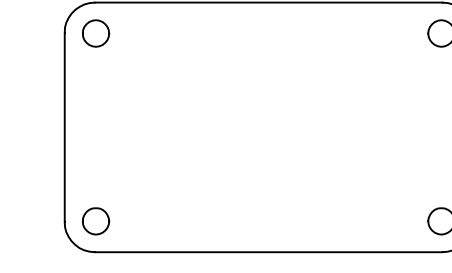
SURFACE-2



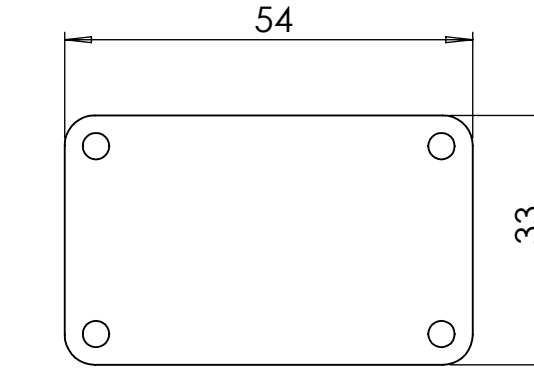
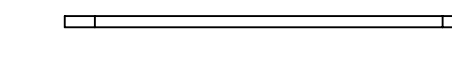
SURFACE-6



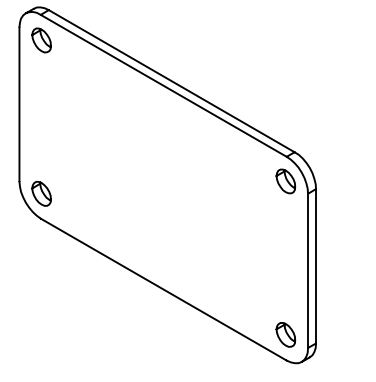
**COVER-1: 2 SURFACE**



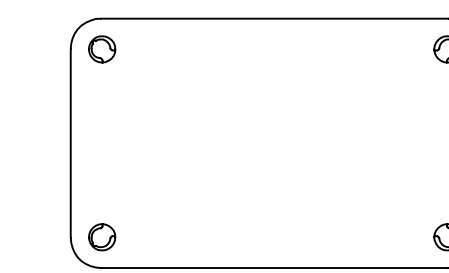
SURFACE-7



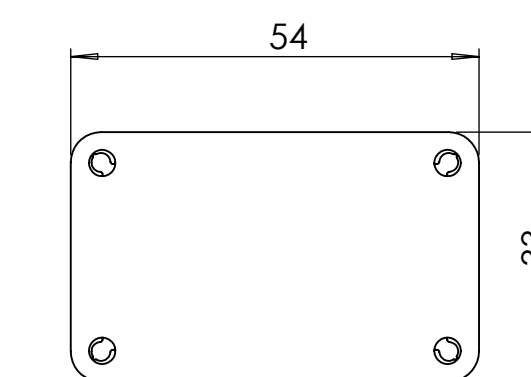
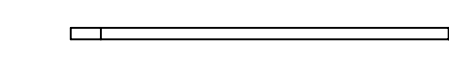
SURFACE-8  
(INSIDE)



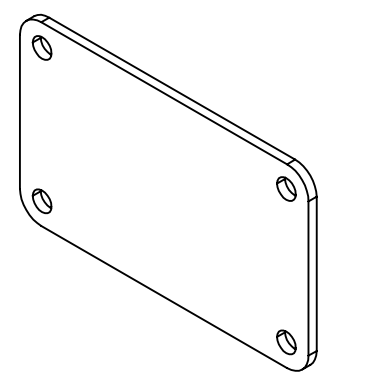
**COVER-2: 2 SURFACE**




SURFACE-9



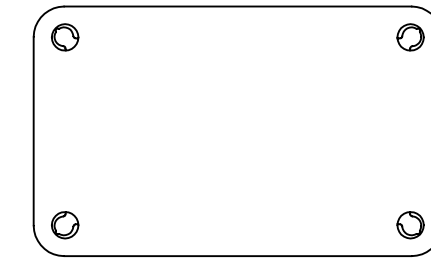
SURFACE-10  
(INSIDE)



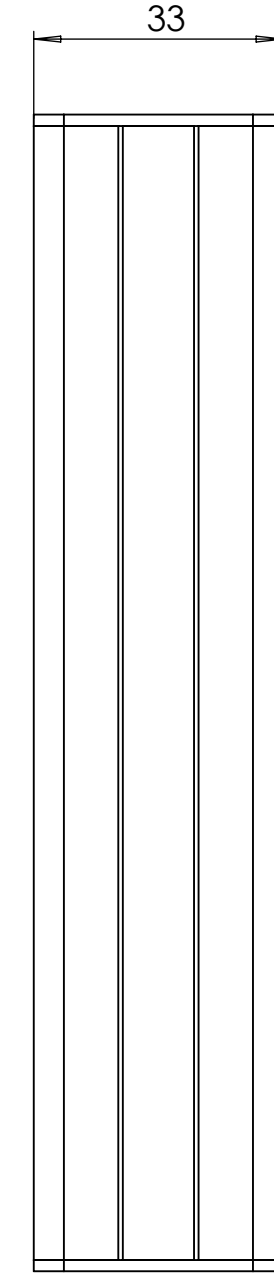
| REV. NO  | DATE  | REVISED BY            | DESCRIPTION OF CHANGE |
|--|-------|-----------------------|-----------------------|
|  <b>ALTINKAYA</b><br>Electronic Enclosures & Components |       |                       |                       |
| Customer Name:   |       | Customer Ref.:        |                       |
| Altinkaya Ref.:  |       | Part Name: AL-053-150 |                       |
| DRAWN  | NAME  | DATE                  | Drawn From:           |
| CHECKED  | Y.YEL | 11.12.2024            | Material:             |
| DIMENSIONAL TOLERANCES UNLESS OTHERWISE SPECIFIED (DIN7168)  |       | 0.5-3mm               | 3-6mm                 |
|  |       | ±0.1                  | ±0.1                  |
|  |       | ±0.2                  | ±0.3                  |
|  |       | ±0.3                  | ±0.5                  |
|  |       | m (Medium)            |                       |
|  |       | SCALE 1:1             |                       |
|  |       | SHEET 1 OF 2          |                       |
|  |       | UNIT: mm              |                       |
|  |       | A0                    |                       |

www.altinkaya.com

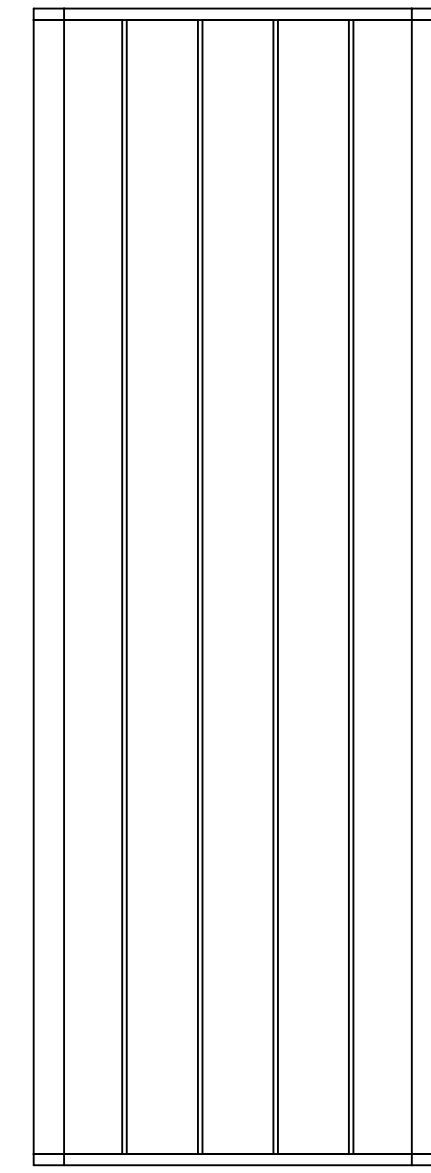
**ASSEMBLY: 6 SURFACE**



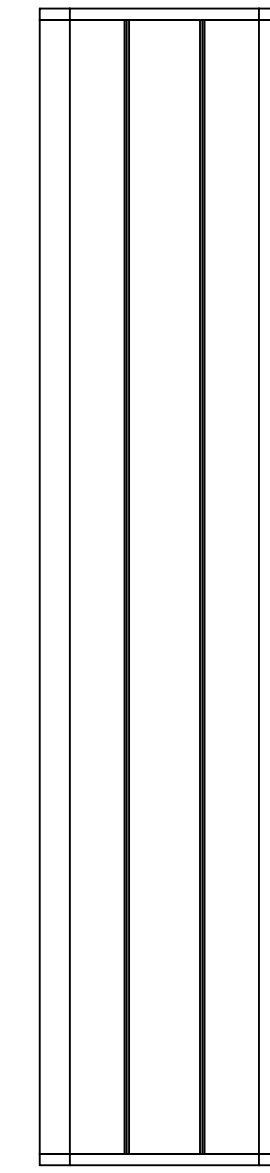
SURFACE-11



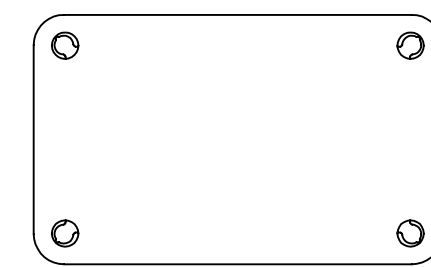
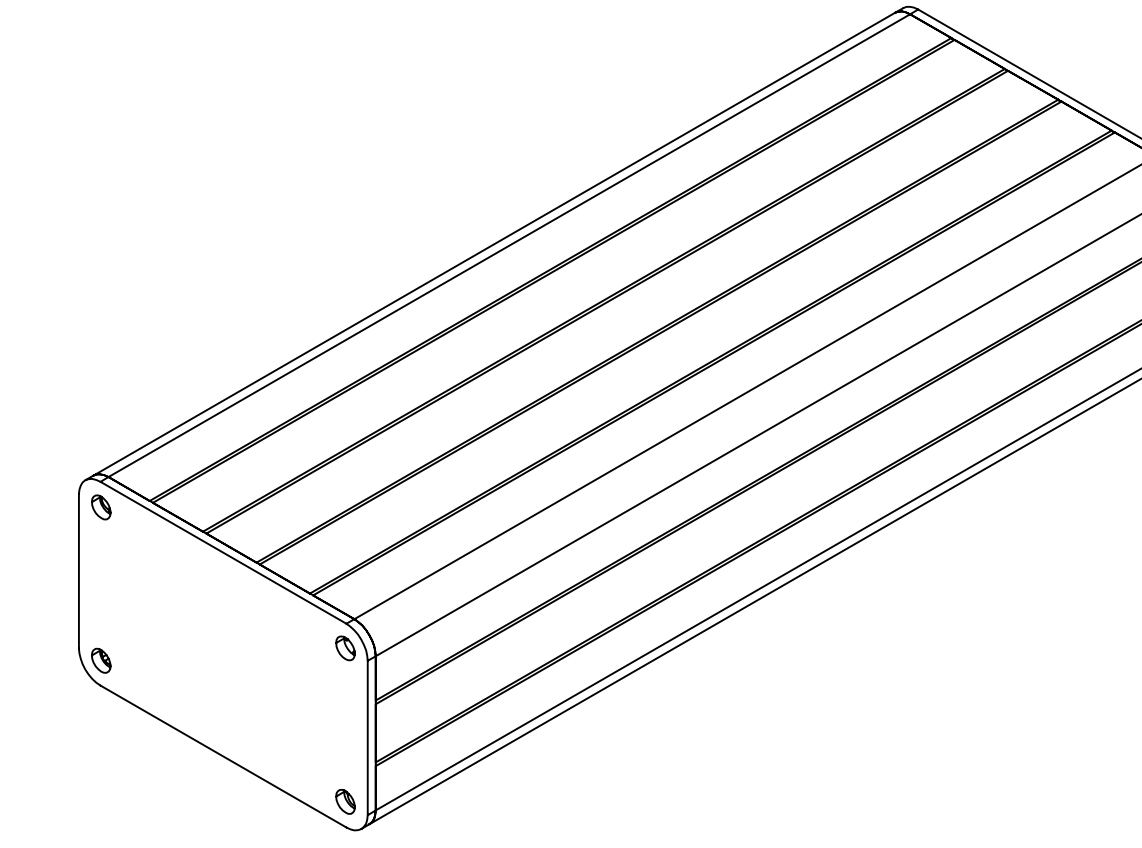
SURFACE-13



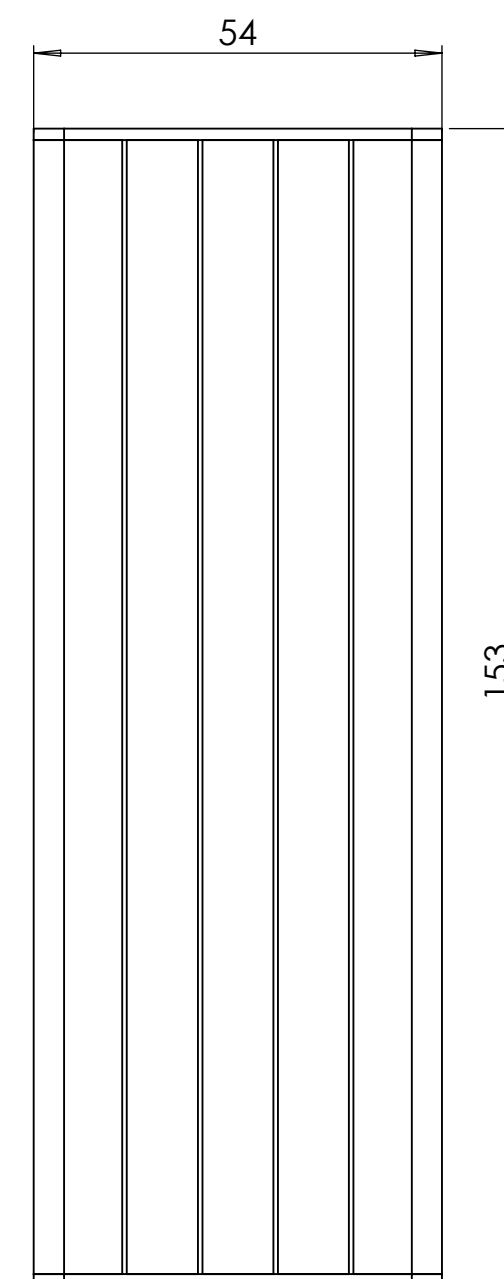
SURFACE-15



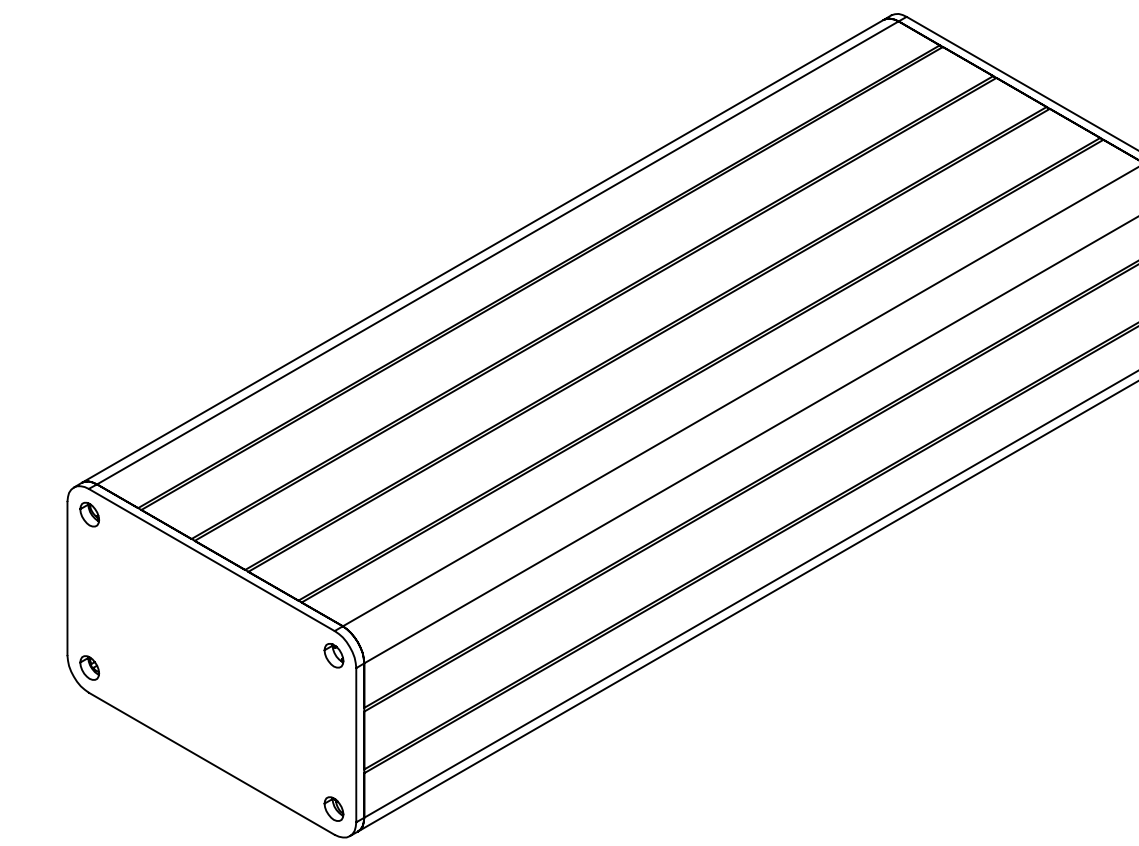
SURFACE-14




SURFACE-12



SURFACE-16



| REV. NO  | DATE    | REVISED BY            | DESCRIPTION OF CHANGE |
|--|---------|-----------------------|-----------------------|
|  <b>ALTINKAYA</b><br>Electronic Enclosures & Components |         |                       |                       |
| Customer Name:   |         | Customer Ref.:        |                       |
| Altinkaya Ref.:  |         | Part Name: AL-053-150 |                       |
| DRAWN  | NAME    | DATE                  | Drawn From:           |
| CHECKED  | Y.YEL   | 11.12.2024            | Weight:               |
| DIMENSIONAL TOLERANCES UNLESS OTHERWISE SPECIFIED (DIN7168)  |         |                       |                       |
|  | 0.5-3mm | 3-6mm                 | 6-30mm                |
|  | ±0.1    | ±0.1                  | ±0.2                  |
|  |         |                       | ±0.3                  |
|  |         |                       | ±0.5                  |
|  |         |                       | m (Medium)            |