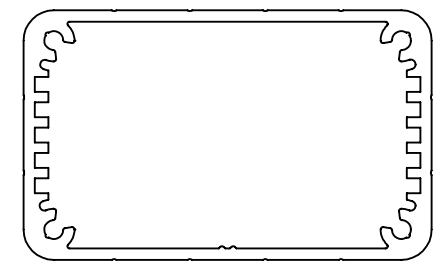
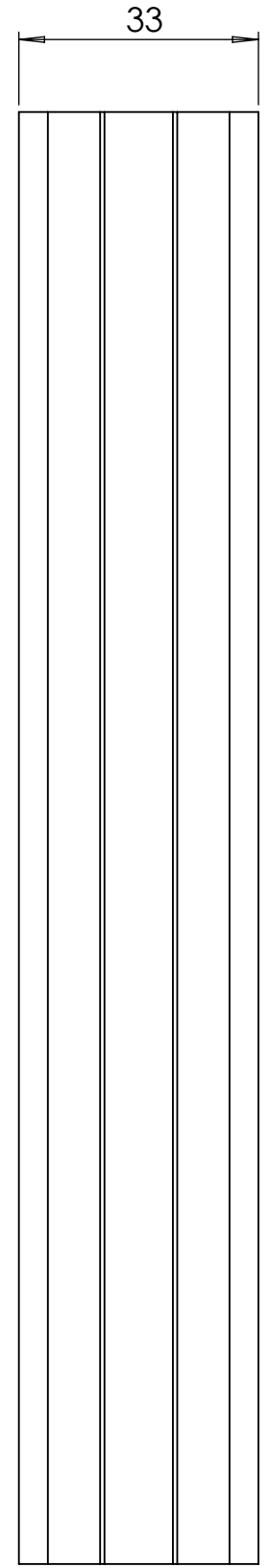


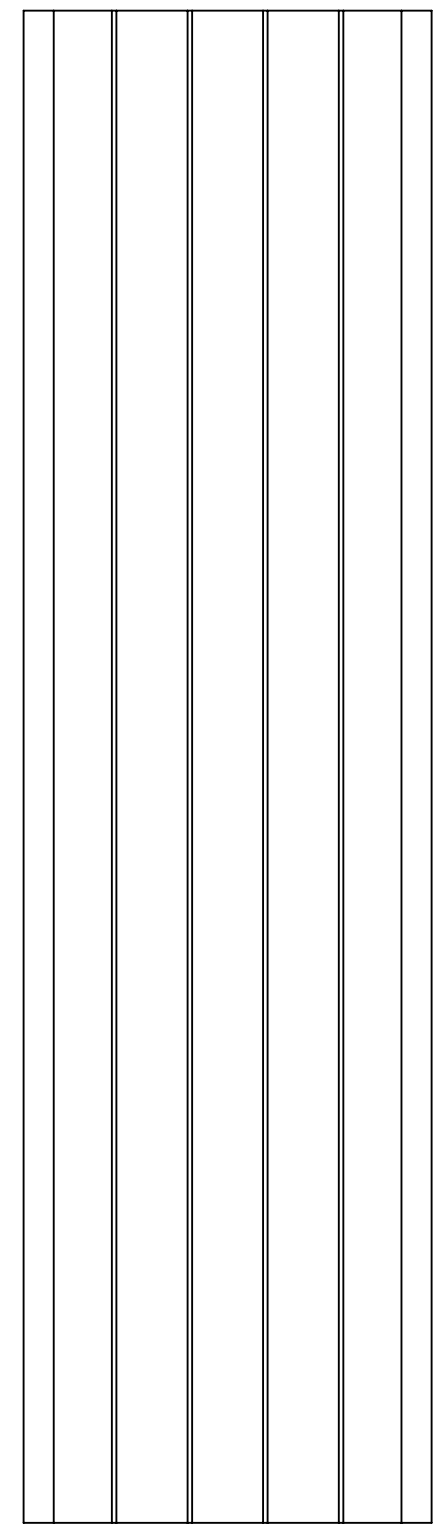
**BASE: 6 SURFACE**



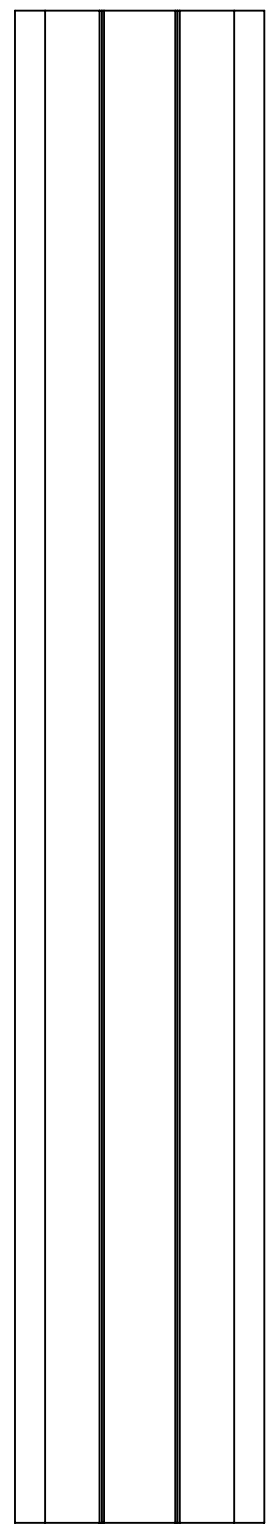
SURFACE-1



SURFACE-3



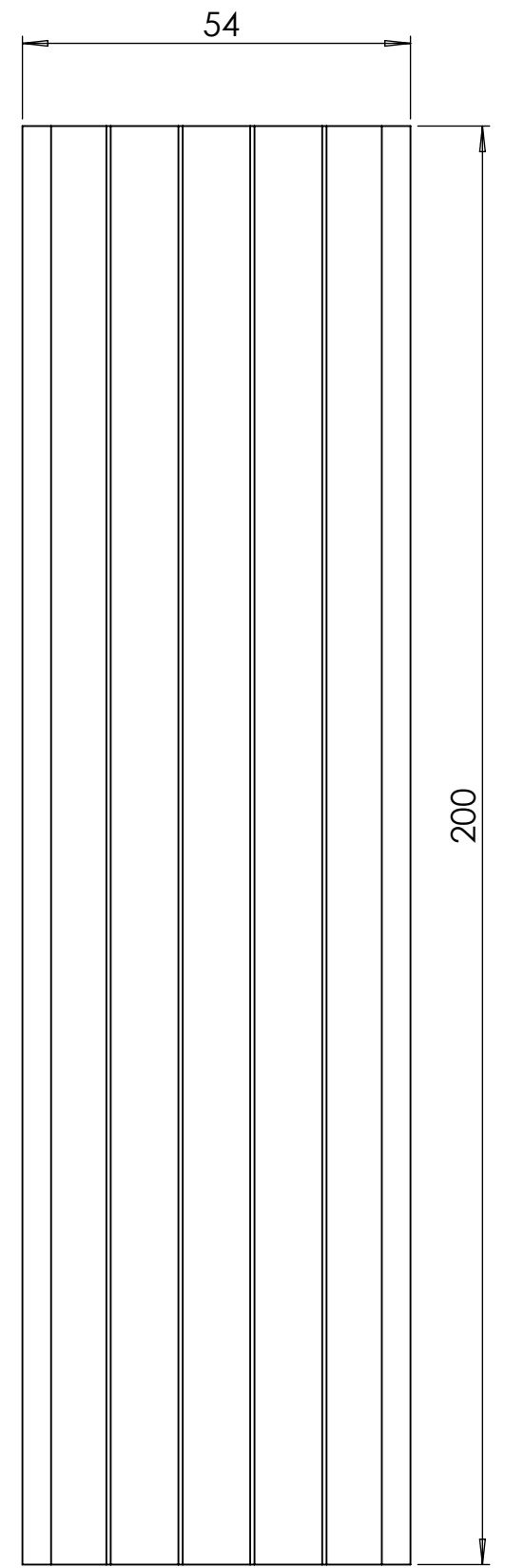
SURFACE-5



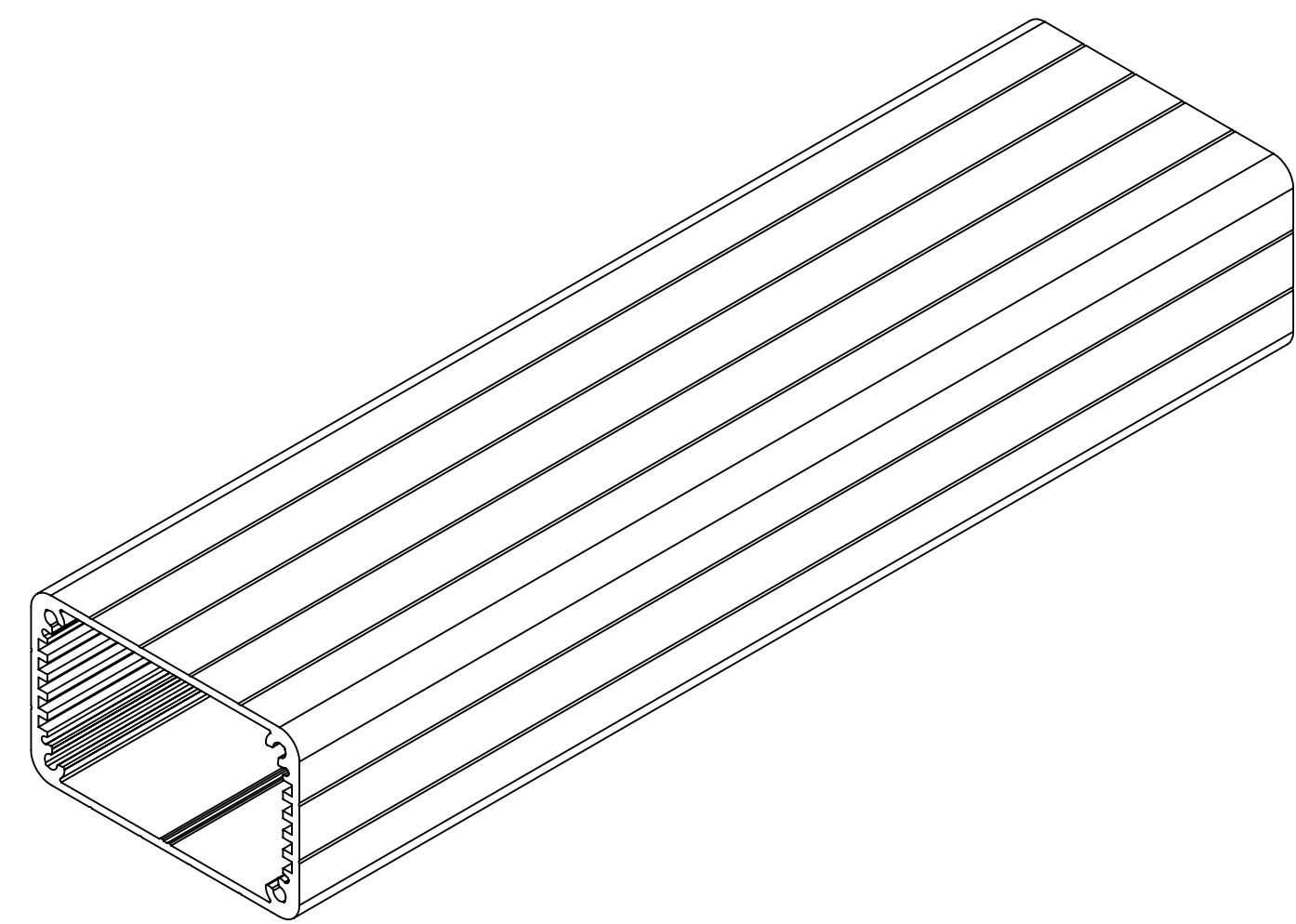
SURFACE-4



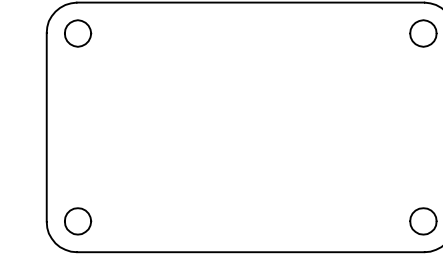
SURFACE-2



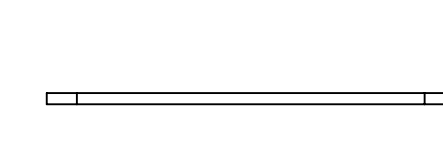
SURFACE-6



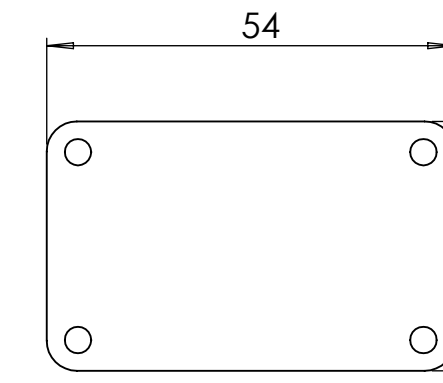
**COVER-1: 2 SURFACE**



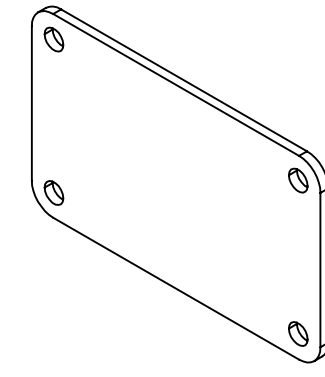
SURFACE-7



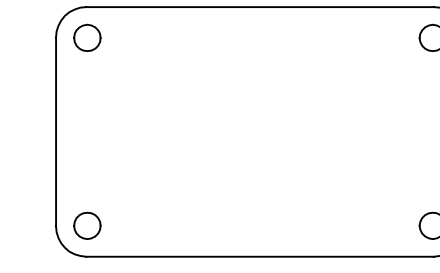
SURFACE-8  
(INSIDE)



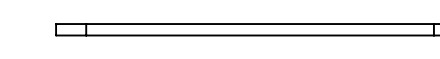
SURFACE-8  
(INSIDE)



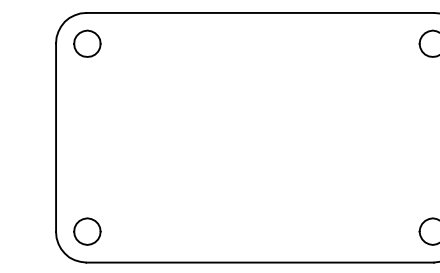
**COVER-2: 2 SURFACE**



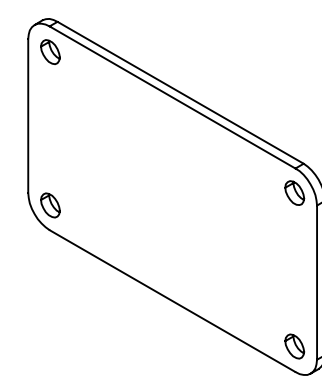
SURFACE-9




SURFACE-10  
(INSIDE)



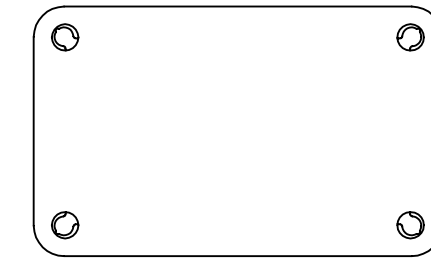
SURFACE-10  
(INSIDE)



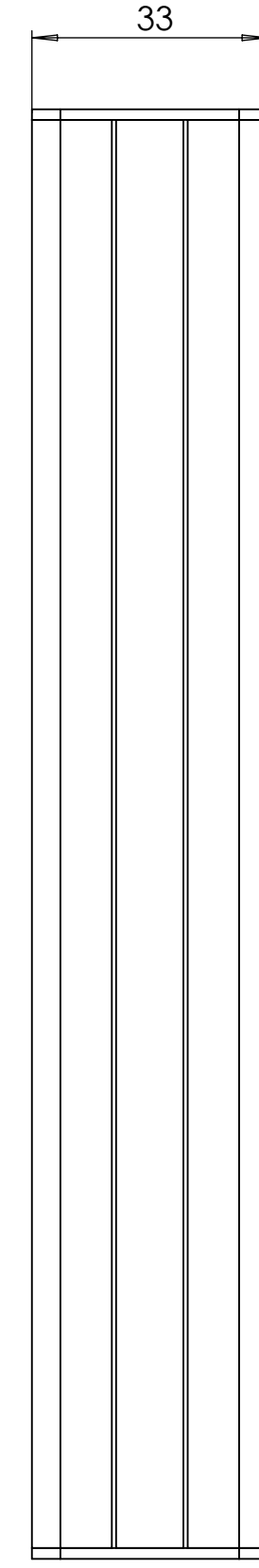
REV. NO	DATE	REVISED BY	DESCRIPTION OF CHANGE
 <b>ALTINKAYA</b> Electronic Enclosures & Components			
Customer Name:		Customer Ref.:	
Altinkaya Ref.:		Part Name: AL-053-200	
DRAWN	NAME	DATE	Drawn From:
CHECKED	Y.YEL	11.12.2024	Material:
DIMENSIONAL TOLERANCES UNLESS OTHERWISE SPECIFIED (DIN7168)		0.5-3mm	3-6mm
		±0.1	±0.1
		6-30mm	30-120mm
		±0.2	±0.3
		120-400mm	±0.5
		Dimension (mm)	
		m (Medium)	
		SCALE 1:1	
		SHEET 1 OF 2	
		UNIT: mm	
		A0	

[www.altinkaya.com](http://www.altinkaya.com)

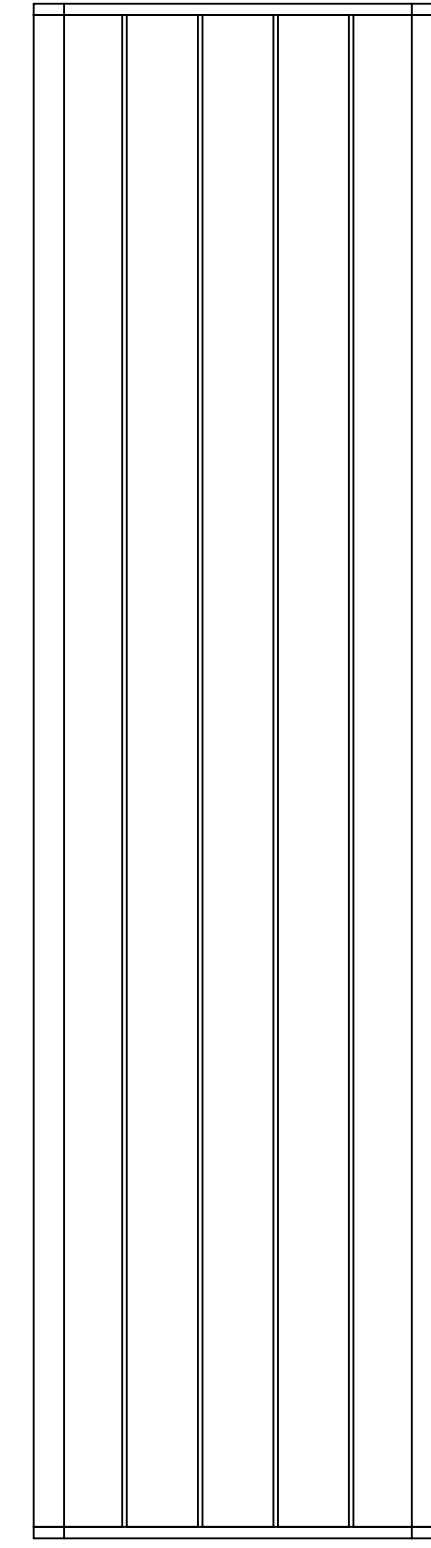
**ASSEMBLY: 6 SURFACE**



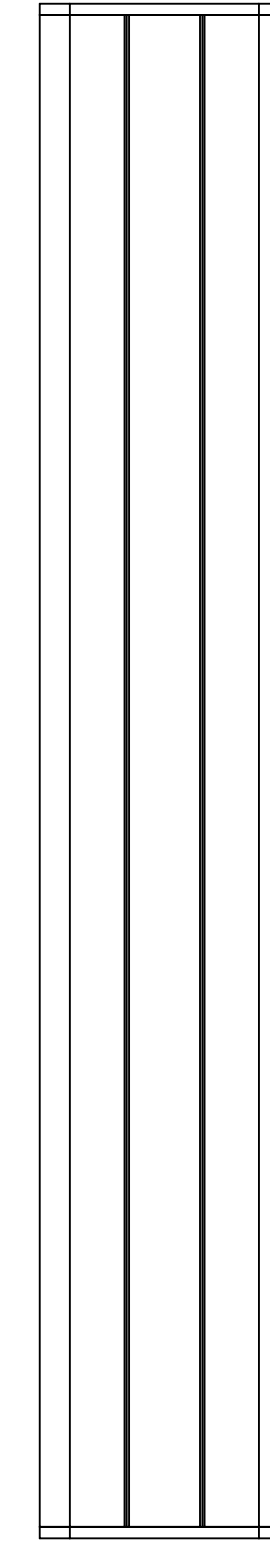
SURFACE-11



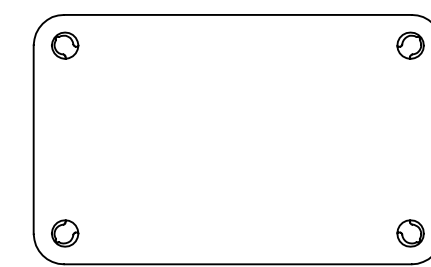
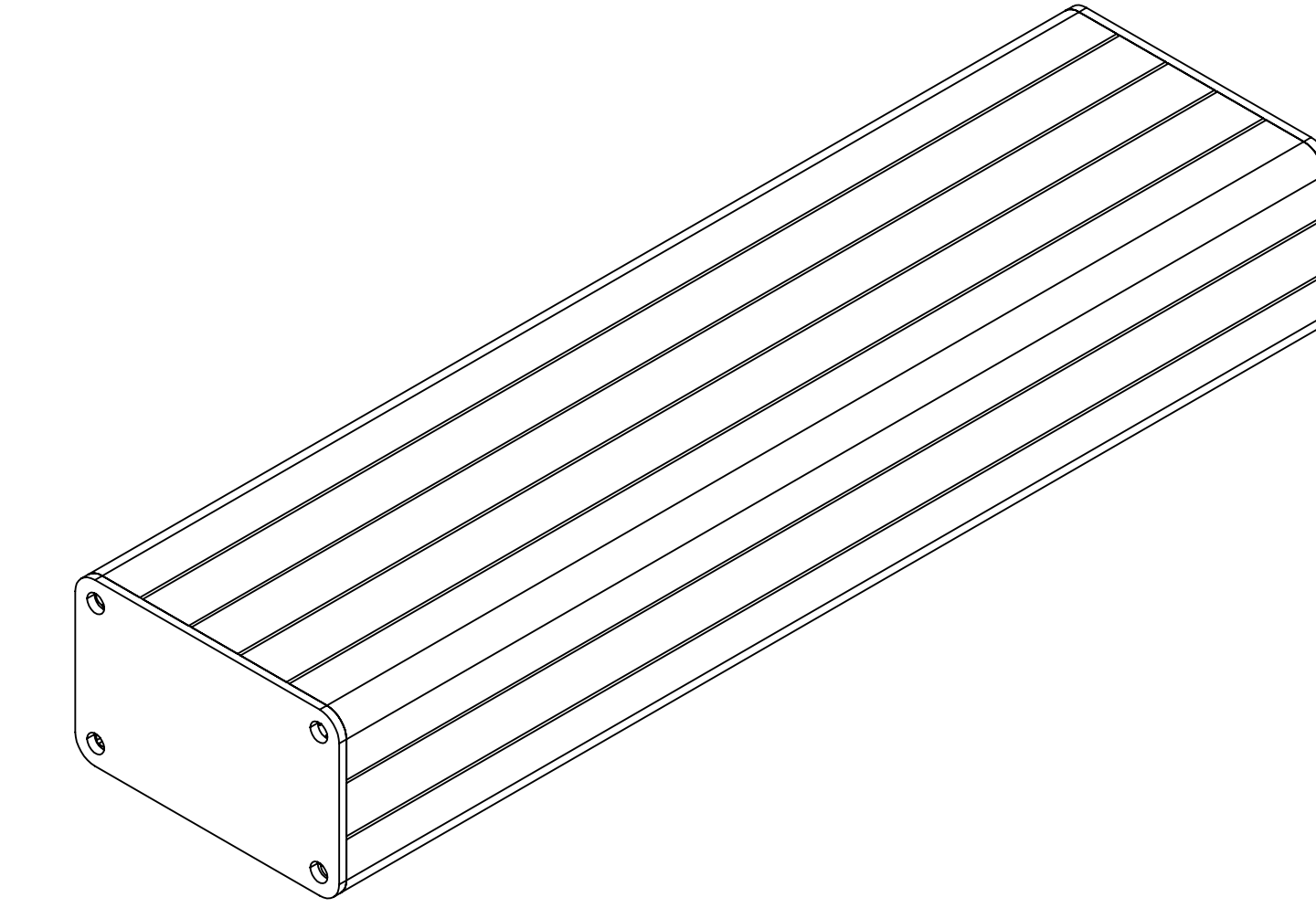
SURFACE-13



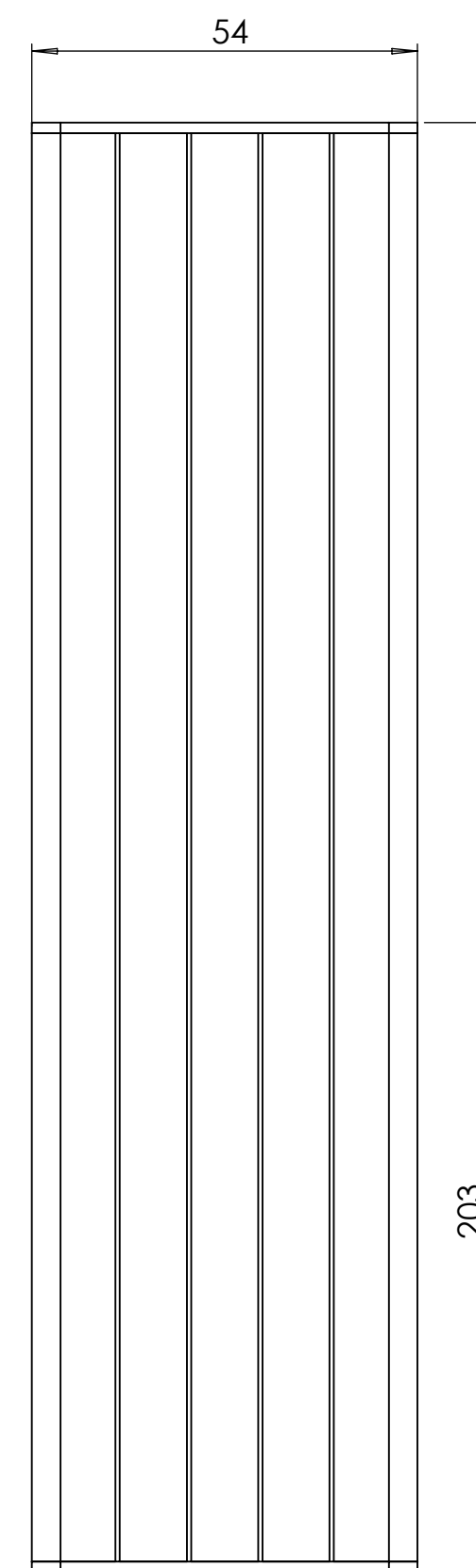
SURFACE-15



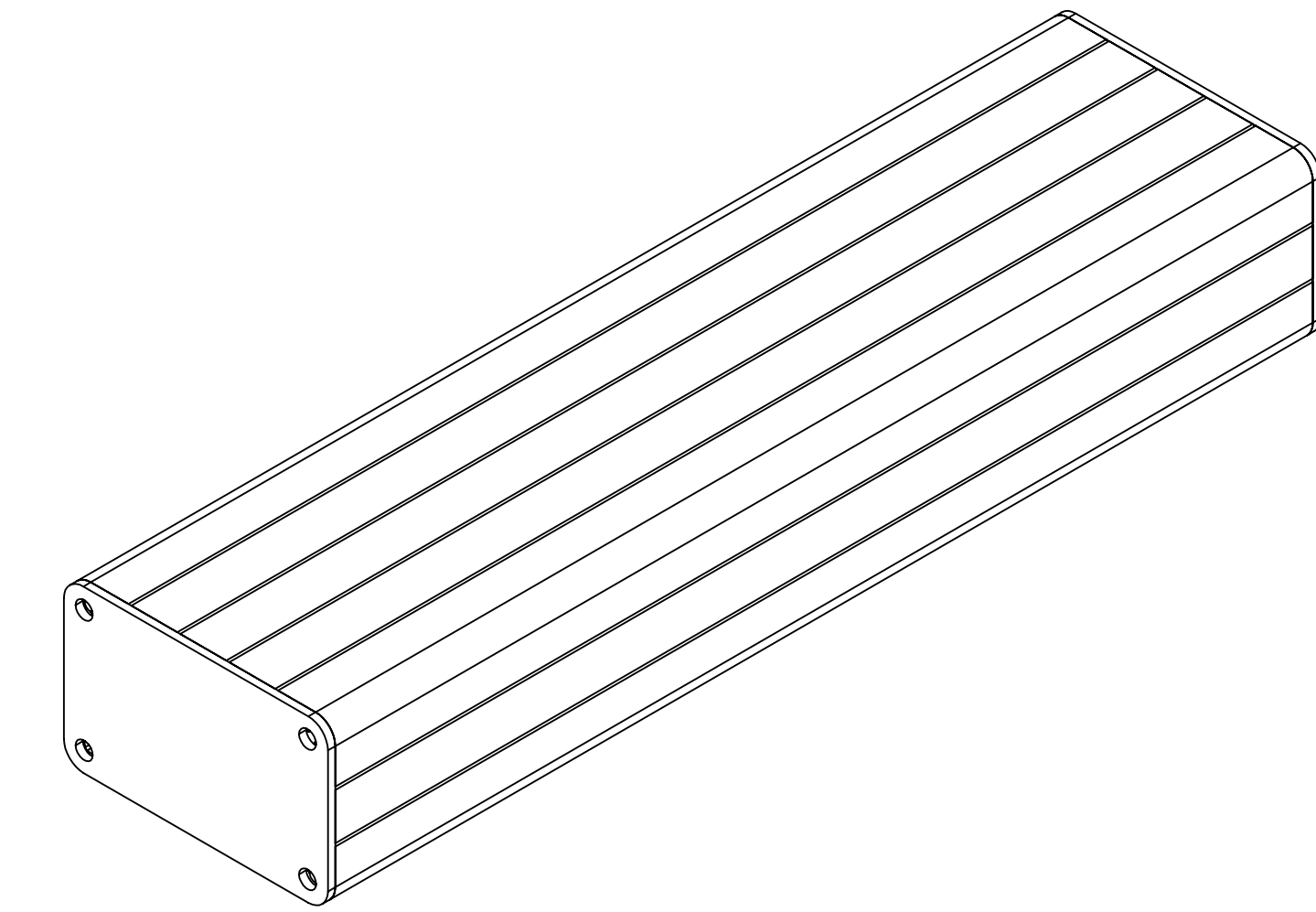
SURFACE-14



SURFACE-12



SURFACE-16



REV. NO	DATE	REVISED BY	DESCRIPTION OF CHANGE
 <b>ALTINKAYA</b> Electronic Enclosures & Components			
Customer Name:		Customer Ref.:	
Altinkaya Ref.:		Part Name: AL-053-200	
DRAWN	NAME	DATE	Drawn From:
CHECKED	Y.YEL	11.12.2024	Weight:
DIMENSIONAL TOLERANCES UNLESS OTHERWISE SPECIFIED (DIN7168)			
	0.5-3mm	3-6mm	6-30mm
	±0.1	±0.1	±0.2
			±0.3
			±0.5
			m (Medium)
SCALE 1:1			SHEET 2 OF 2
UNIT: mm			AO

[www.altinkaya.com](http://www.altinkaya.com)