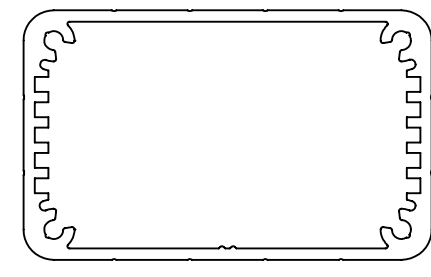
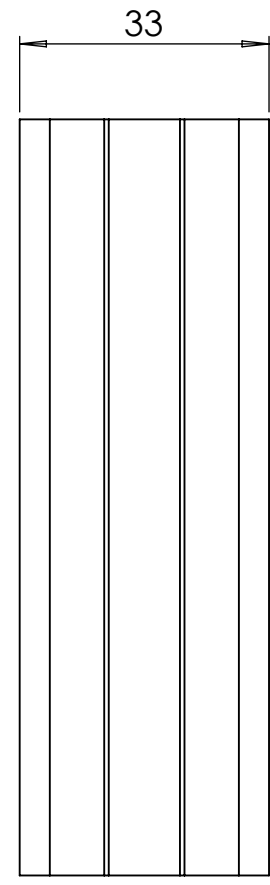


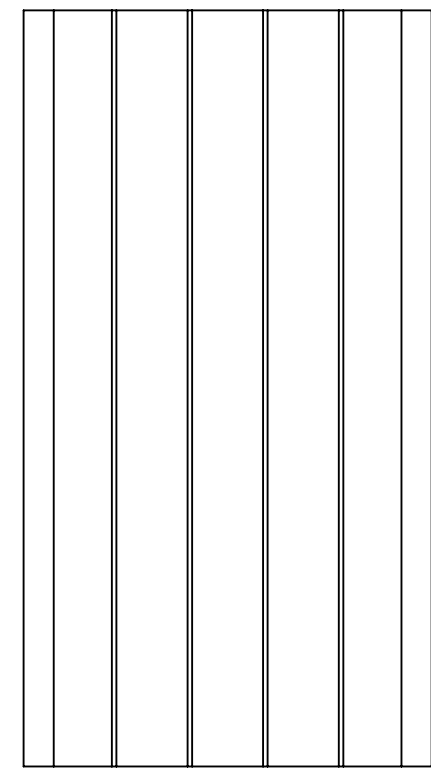
BASE: 6 SURFACE



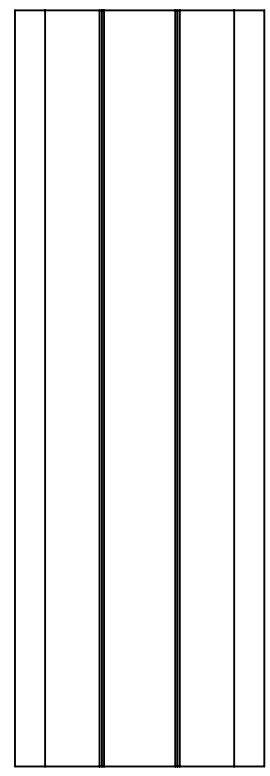
SURFACE-1



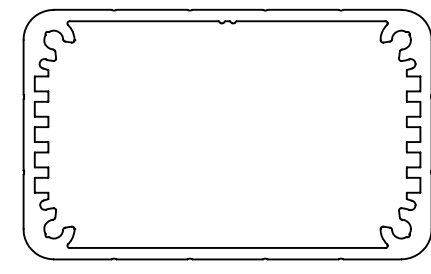
SURFACE-3



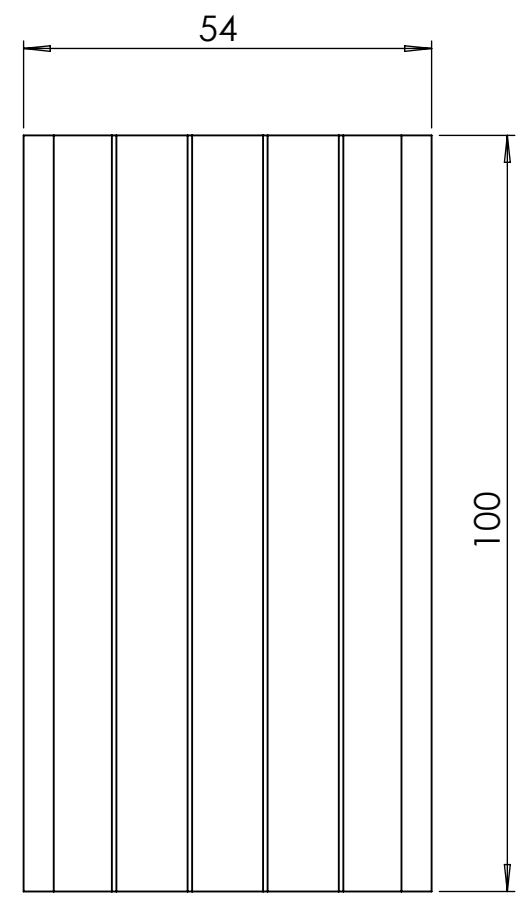
SURFACE-5



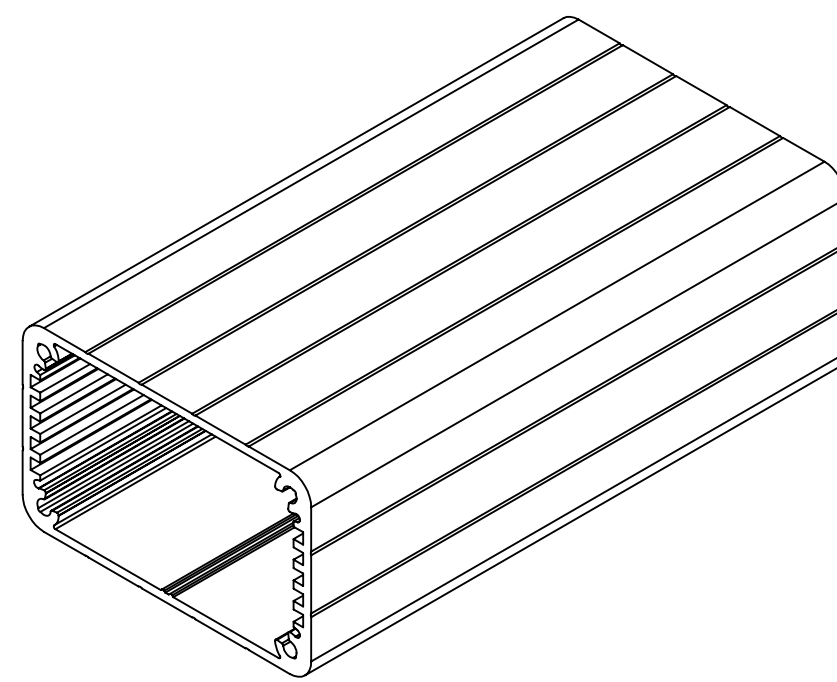
SURFACE-4



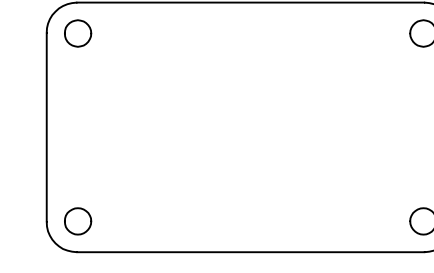
SURFACE-2



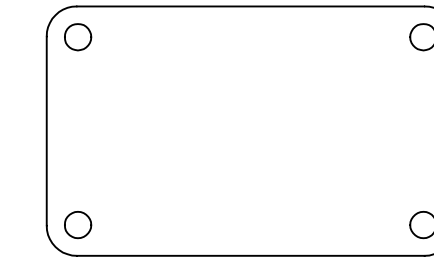
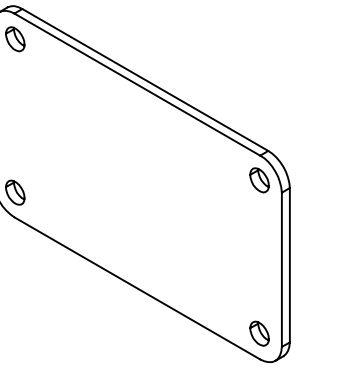
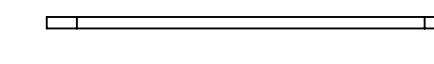
SURFACE-6



COVER-1: 2 SURFACE

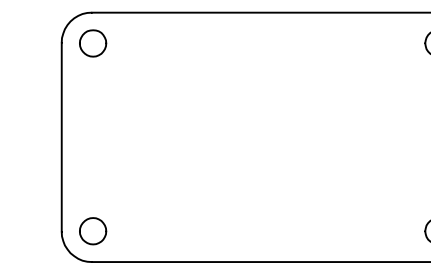


SURFACE-7

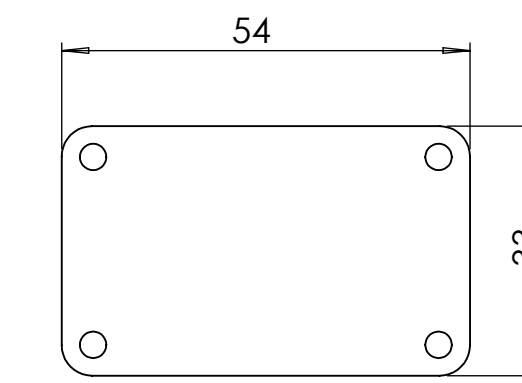
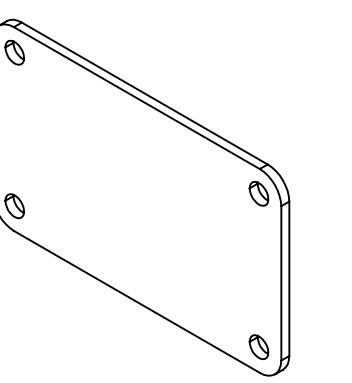
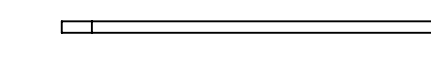


SURFACE-8
(INSIDE)


COVER-2: 2 SURFACE



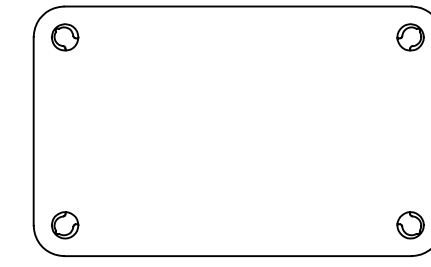
SURFACE-9



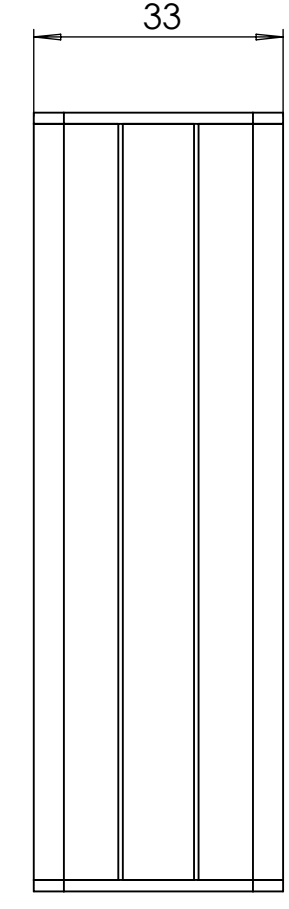
SURFACE-10
(INSIDE)

REV. NO	DATE	REVISED BY	DESCRIPTION OF CHANGE
 ALTINKAYA Electronic Enclosures & Components			
Customer Name:		Customer Ref.:	
Altinkaya Ref.:		Part Name: AL-053-100	
DRAWN	NAME	DATE	Drawn From:
CHECKED	Y.YEL	11.12.2024	Material:
DIMENSIONAL TOLERANCES UNLESS OTHERWISE SPECIFIED (DIN7168)			SCALE 1:1
±0.1	±0.1	±0.2	SHEET 1 OF 2
±0.3	±0.5	±0.5	UNIT: mm
±0.3	±0.5	±0.5	Dimension (mm)
±0.3	±0.5	±0.5	AO
±0.3	±0.5	±0.5	www.altinkaya.com

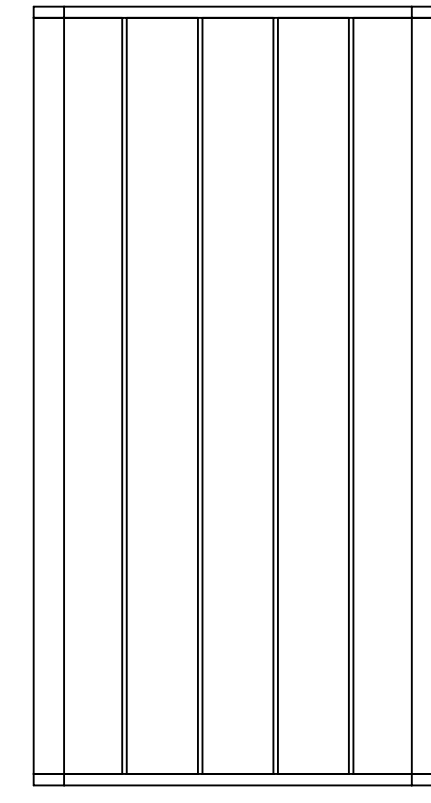
ASSEMBLY: 6 SURFACE



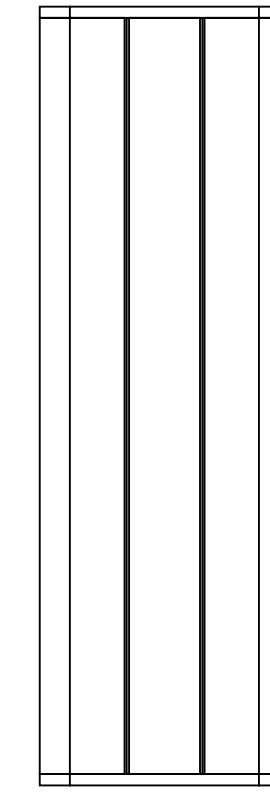
SURFACE-11



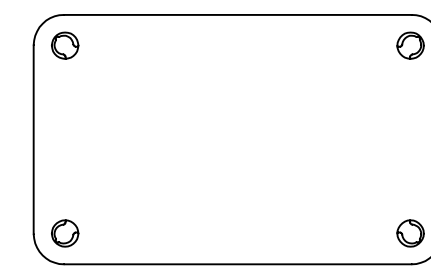
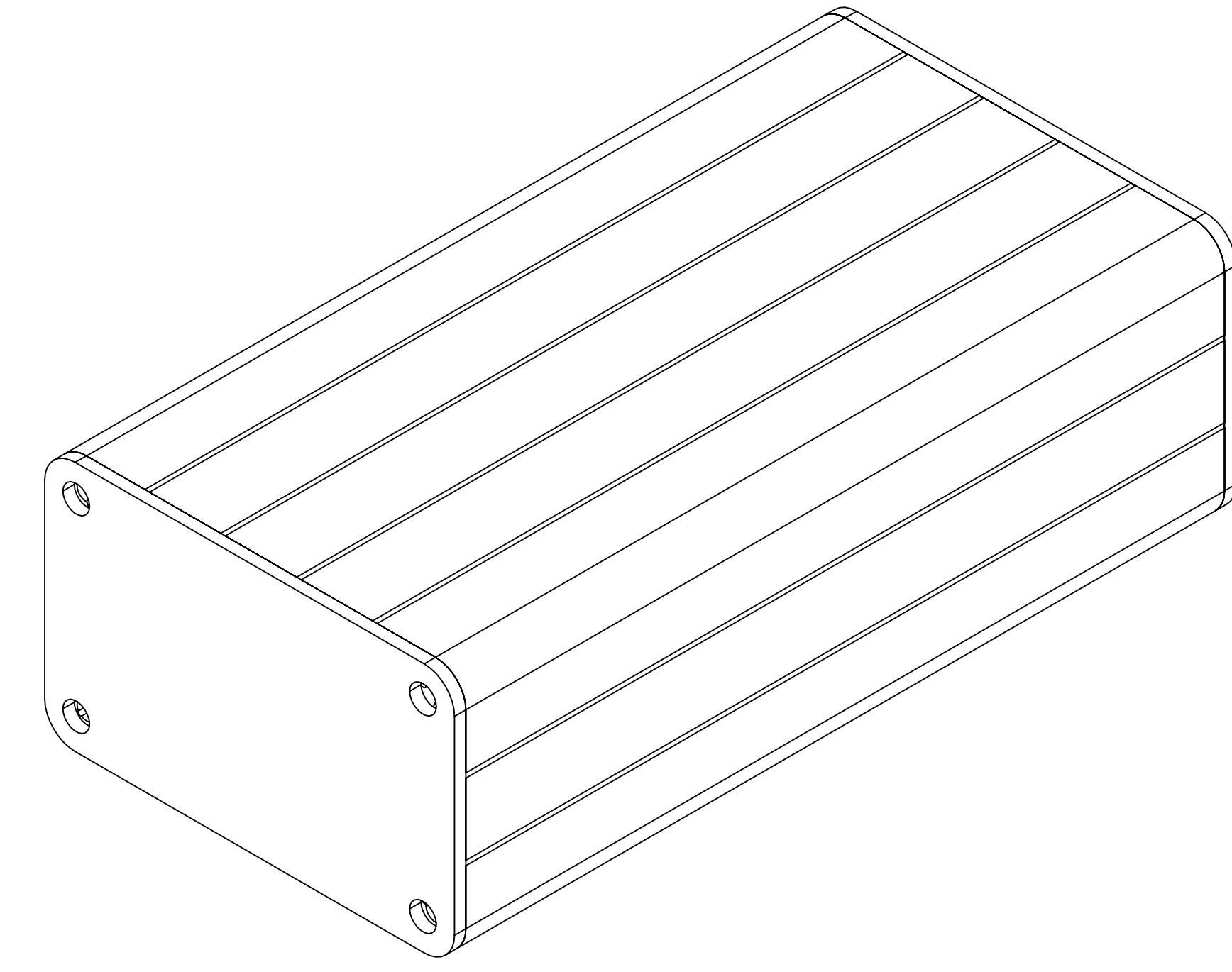
SURFACE-13



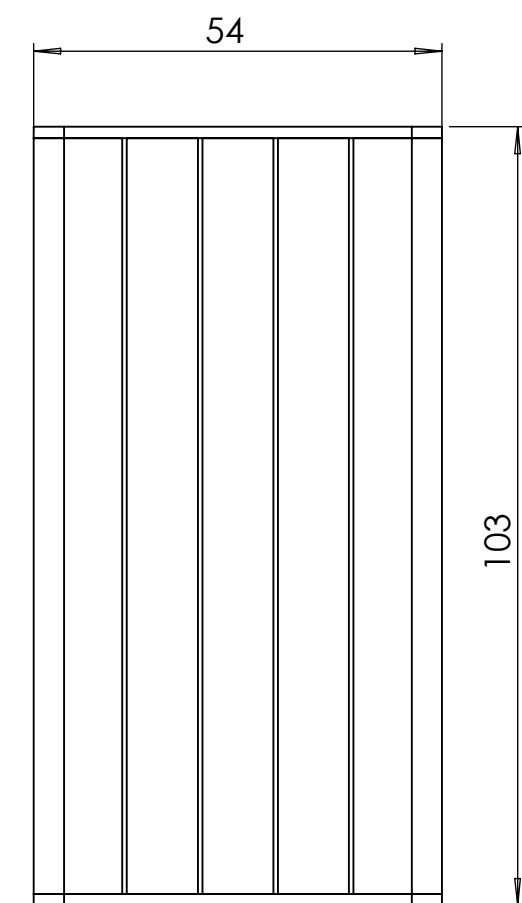
SURFACE-15



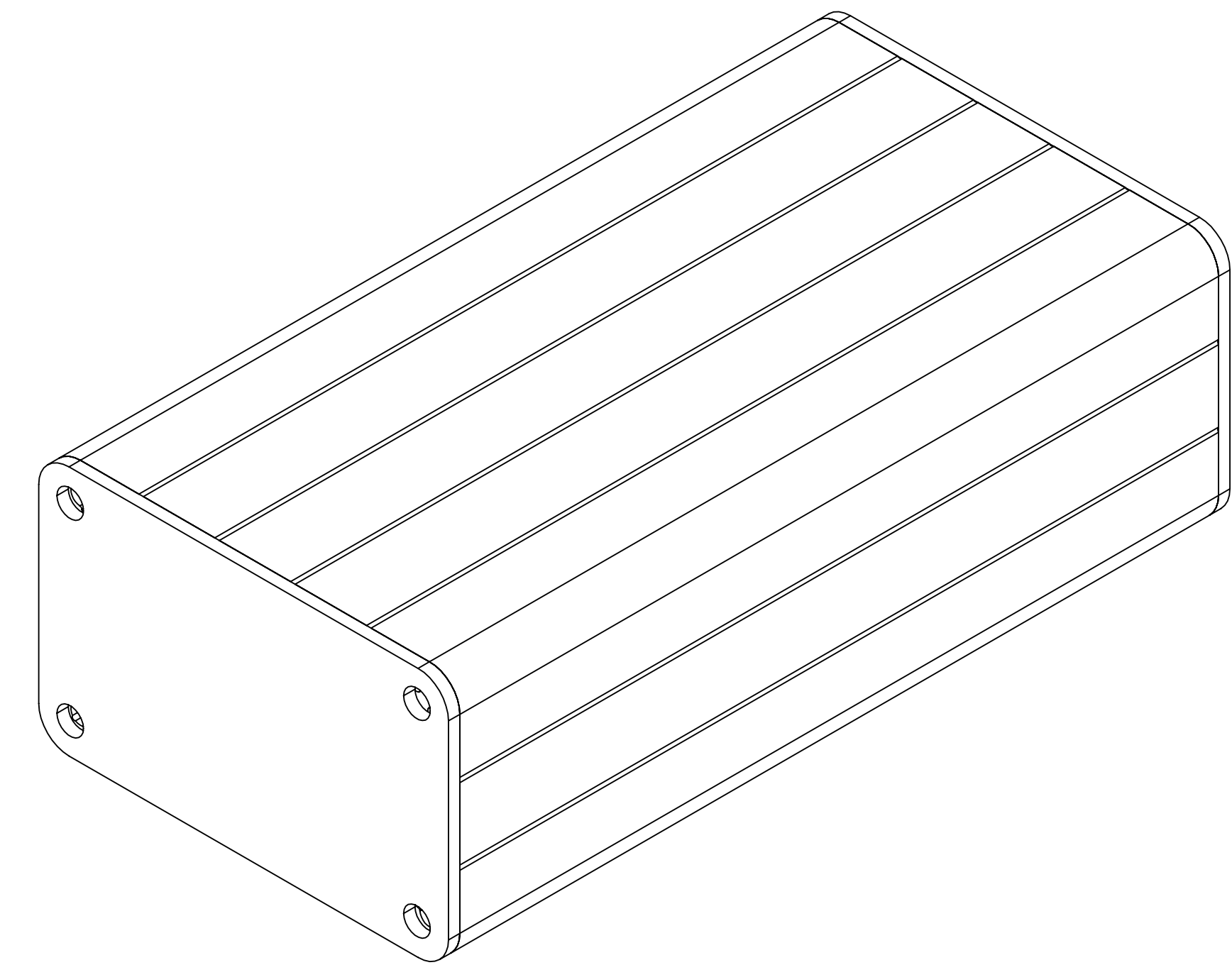
SURFACE-14




SURFACE-12



SURFACE-16



REV. NO	DATE	REVISED BY	DESCRIPTION OF CHANGE	
 ALTINKAYA Electronic Enclosures & Components			www.altinkaya.com	
Customer Name:		Customer Ref. :		
Altinkaya Ref. :		Part Name: AL-053-100		
DRAWN	NAME	DATE	Drawn From :	SCALE 1:1
CHECKED	Y.YEL	11.12.2024	Material :	SHEET 2 OF 2
DIMENSIONAL TOLERANCES UNLESS OTHERWISE SPECIFIED (DIN7168)			Weight :	UNIT: mm
	±0.1	±0.1	±0.2	±0.3
			±0.5	Dimension (mm)
				m (Medium)