

1

2

3

4

A

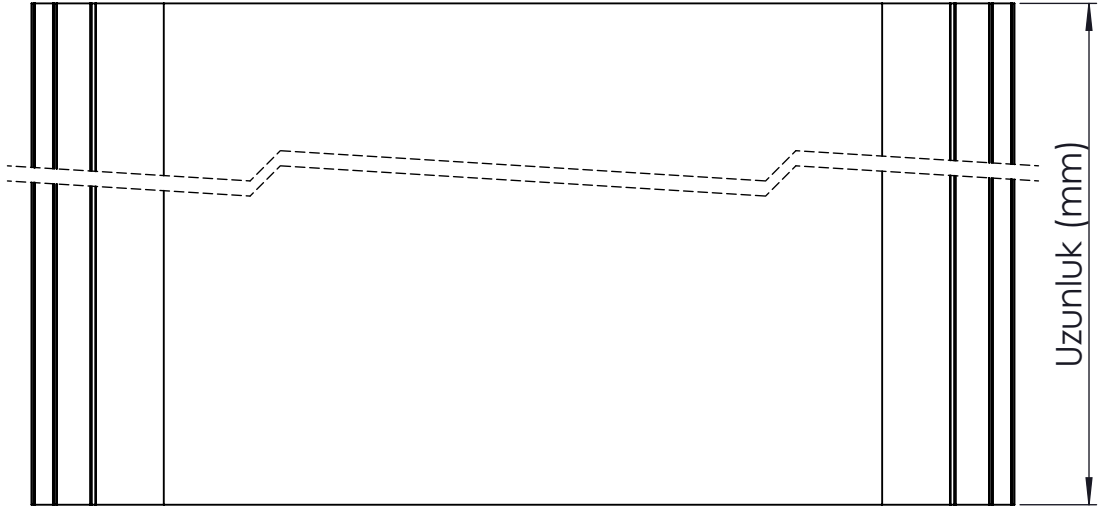
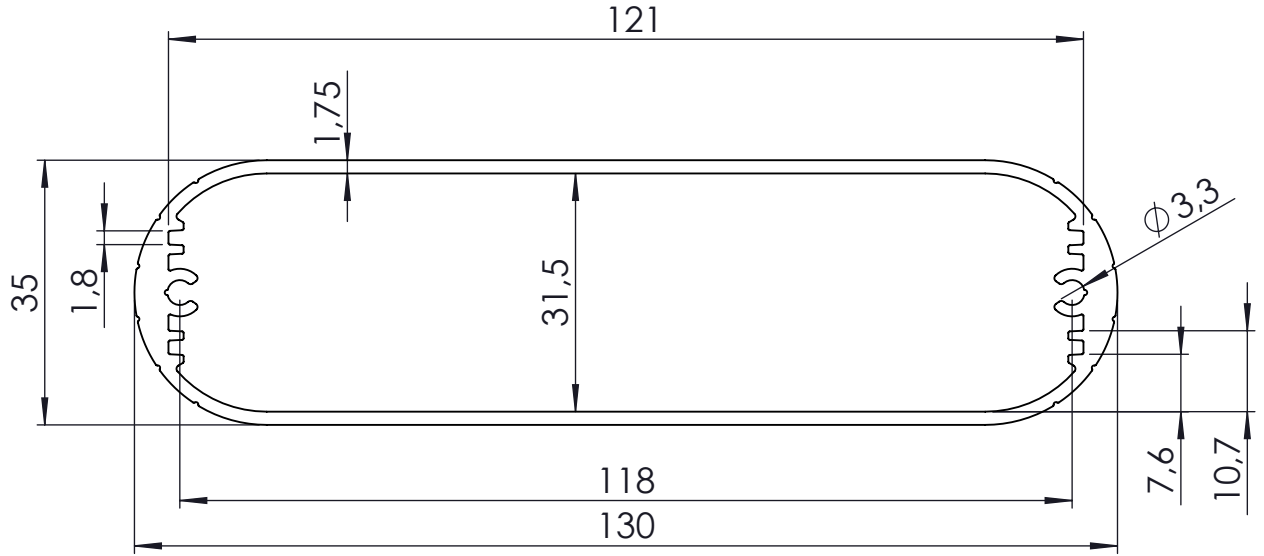
B

C

D

E

F

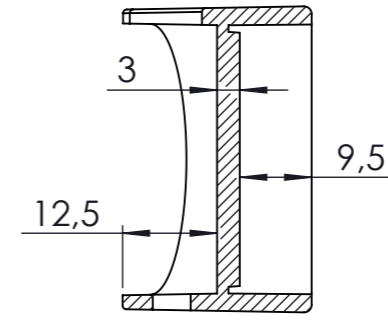
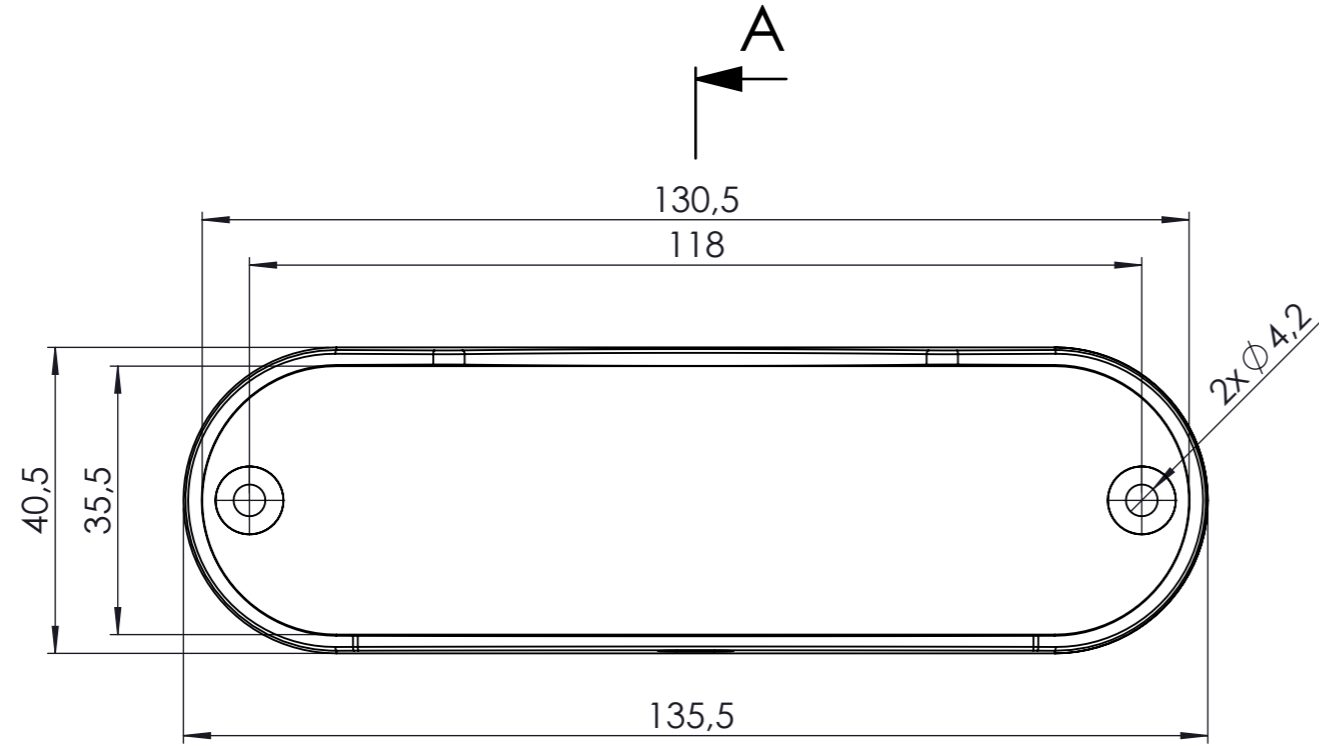


	NAME	DATE	ARTICLE NO:	REVISION:	TITLE:
DRAWN	Dursun Daşdemir	04.12.24			AL-130-35 Alüminium Profile
CHECKED	Ali Altınışık	04.12.24			
			COMMENTS:		
			This drawing is subject to technical modification without prior notice. Typographical and other errors do not justify any claims for damages. All dimensions should be verified using an actual produced part		
			DİKKAT: BU RESİM VE ÜRÜN ÖNCEDEN HABER VERİLMEKSİZİN DEĞİŞTİREBİLİR. RESİM ÇİZİLRKEN HATASIZ OLMASINA ÇALIŞILMASINA RAĞMEN RESİMDE HATALAR BULUNABİLİR. RESİMDEKİ HATALARDAN DOLAYI OLUŞABİLECEK ZARARLAR İÇİN ALTINKAYA HIÇ BİR SORUMLULUK KABUL ETMEZ. BÜTÜN ÖLÇÜLER KULLANILMADAN ÖNCE ÜRETİLMİŞ GERÇEK NUMUNEDEN KONTROL EDİLMELİDİR.	DWG NO.	AL-130-35-P
			MATERIAL: EN AW 6063	WEIGHT:	A4
				SCALE:1:1	SHEET 1 OF 1

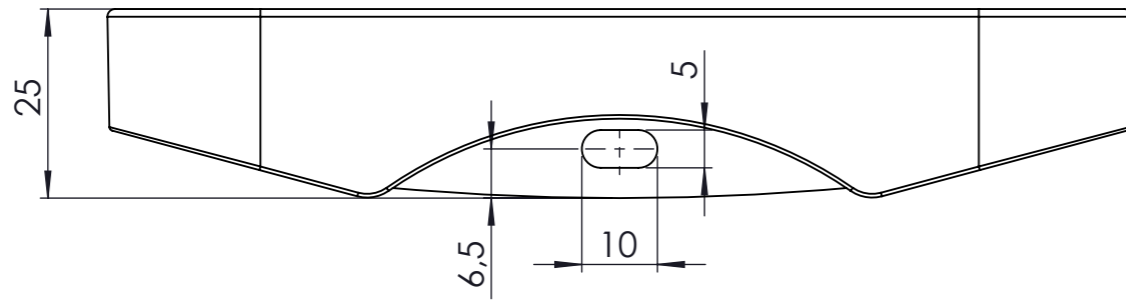
**ALTINKAYA**  
ENCLOSURES FOR ELECTRONICS  
[www.altinkaya.com.tr](http://www.altinkaya.com.tr)

PROPRIETARY AND CONFIDENTIAL  
THE INFORMATION CONTAINED IN THIS DRAWING IS  
THE SOLE PROPERTY OF ALTINKAYA ENCLOSURES.  
ANY REPRODUCTION IN PART OR AS A WHOLE  
WITHOUT THE WRITTEN PERMISSION OF ALTINKAYA  
ENCLOSURES IS PROHIBITED.





KESIT A-A



DİKKAT: BU RESİM VE ÜRÜN ÖNCEDEN HABER VERİLMEKSİZİN DEĞİŞTİREBİLİR. RESİM ÇİZİLMESİNİN HATASIZ OLMASINA ÇALIŞILMASINA RAĞMEN RESİMDEKİ HATALAR BULUNABİLİR. RESİMDEKİ HATALARDAN DOLAYI OLUŞABİLECEK ZARARLAR İÇİN ALTINKAYA HiÇ BİR SORUMLULUK KABUL ETMEZ. BÜTÜN ÖLÇÜLER KULLANILMADAN ÖNCE ÜRETİLMİŞ GERÇEK NUMUNEDEN KONTROL EDİLMELİDİR.

PROPRIETARY AND CONFIDENTIAL  
THE INFORMATION CONTAINED IN THIS  
DRAWING IS THE SOLE PROPERTY OF  
ALTINKAYA ENCLOSURES. ANY  
REPRODUCTION IN PART OR AS A WHOLE  
WITHOUT THE WRITTEN PERMISSION OF  
ALTINKAYA ENCLOSURES IS PROHIBITED.

ARTICLE NO: \_\_\_\_\_ REVISION: \_\_\_\_\_

**ALTINKAYA**  
ENCLOSURES FOR ELECTRONICS

CONTACT:  
[www.altinkaya.com](http://www.altinkaya.com)

NAME	DATE
DRAWN Dursun Daşdemir	04.12.24
CHECKED Ali Altınışık	04.12.24

COMMENTS: This drawing is subject to technical modification without prior notice. Typographical and other errors do not justify any claims for damages. All dimensions should be verified using an actual produced part.

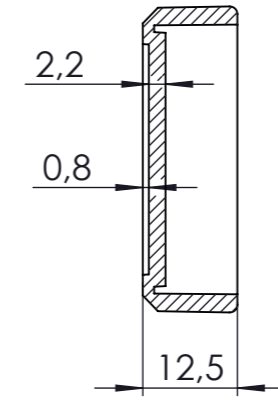
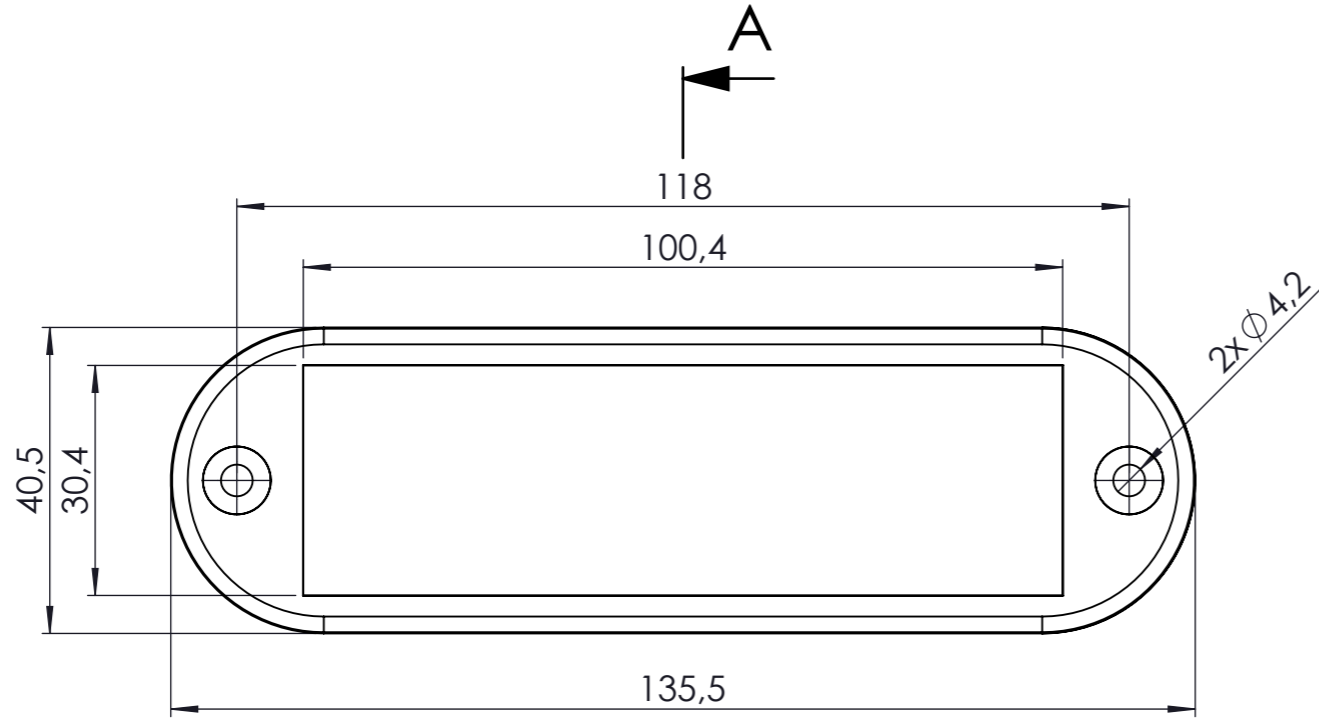
TITLE:  
**AL-130-35  
Kulaklı Kapak**

MATERIAL:  
**ABS**

DWG NO: **AL-130-30-10-A** A3


WEIGHT: \_\_\_\_\_

SCALE:1:1 SHEET 1 OF 1



KESIT A-A

DİKKAT: BU RESİM VE ÜRÜN ÖNCEDEN HABER VERİLMEKSİZİN DEĞİŞTİREBİLİR. RESİM ÇİZİLİRKEN HATASIZ OLMASINA ÇALIŞILMASINA RAĞMEN RESİMDE HATALAR BULUNABİLİR. RESİMDEKİ HATALARDAN DOLAYI OLUŞABİLECEK ZARARLAR İÇİN ALTINKAYA HiÇ BİR SORUMLULUK KABUL ETMEZ. BÜTÜN ÖLÇÜLER KULLANILMADAN ÖNCE ÜRETİLMİŞ GERÇEK NUMUNEDEN KONTROL EDİLMELİDİR.

PROPRIETARY AND CONFIDENTIAL THE INFORMATION CONTAINED IN THIS DRAWING IS THE SOLE PROPERTY OF ALTINKAYA ENCLOSURES. ANY REPRODUCTION IN PART OR AS A WHOLE WITHOUT THE WRITTEN PERMISSION OF ALTINKAYA ENCLOSURES IS PROHIBITED.		ARTICLE NO:	REVISION:
DRAWN Dursun Daşdemir 04.12.24 CHECKED Ali Altınışık 04.12.24		 CONTACT: <a href="http://www.altinkaya.com">www.altinkaya.com</a>	TITLE:
COMMENTS: This drawing is subject to technical modification without prior notice. Typographical and other errors do not justify any claims for damages. All dimensions should be verified using an actual produced part.		<b>AL-130-35</b> <b>Kulaksız Kapak</b>	
MATERIAL: <b>ABS</b>		DWG NO:	A3
WEIGHT:		SCALE:1:1	SHEET 1 OF 1