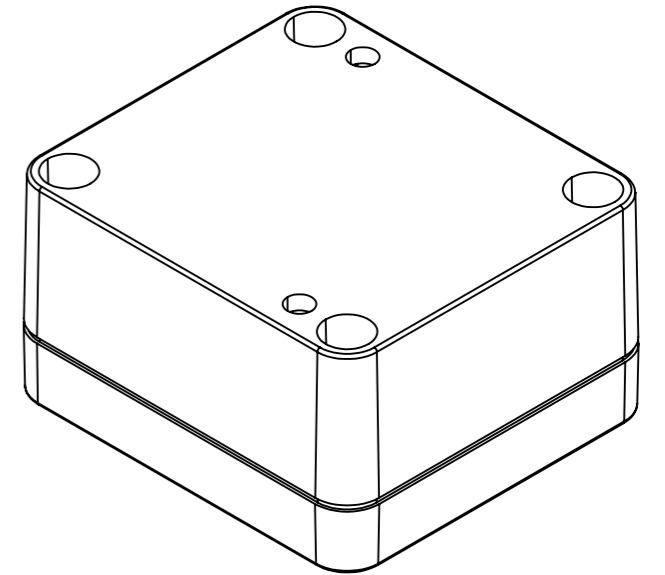
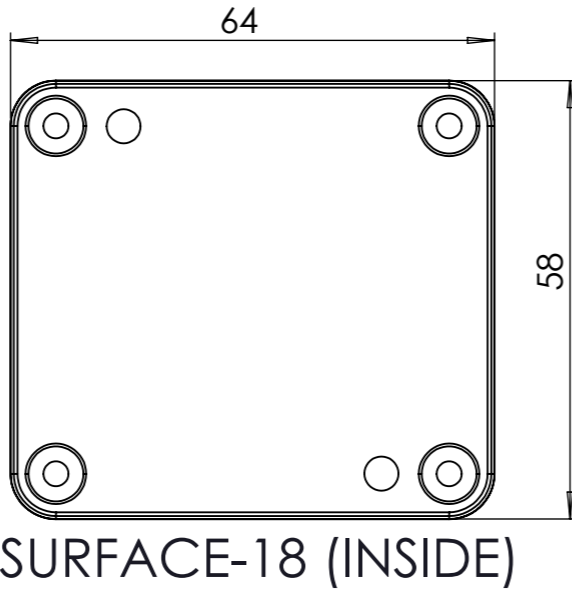
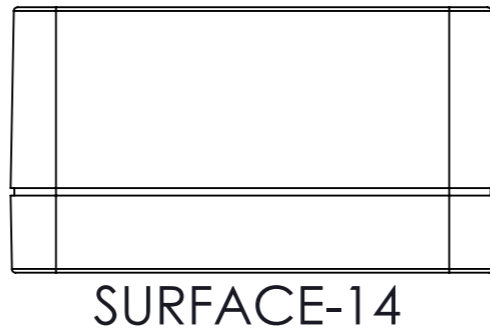
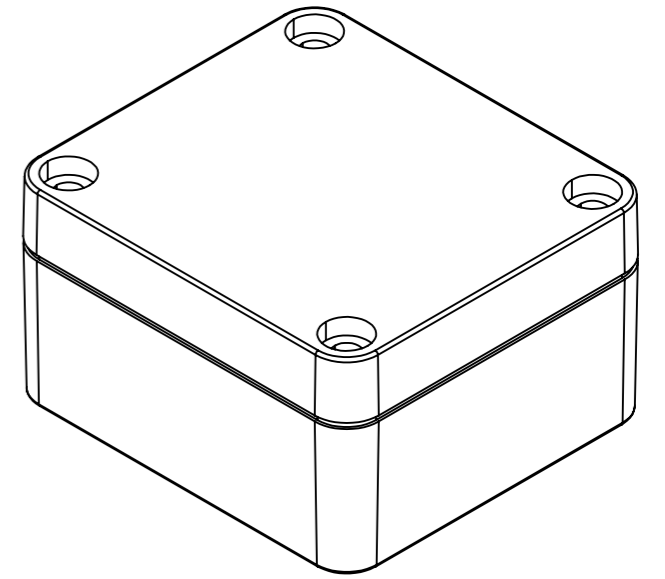
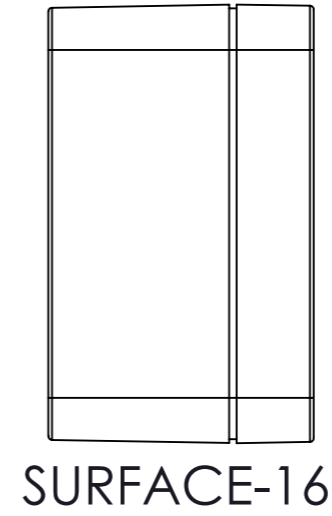
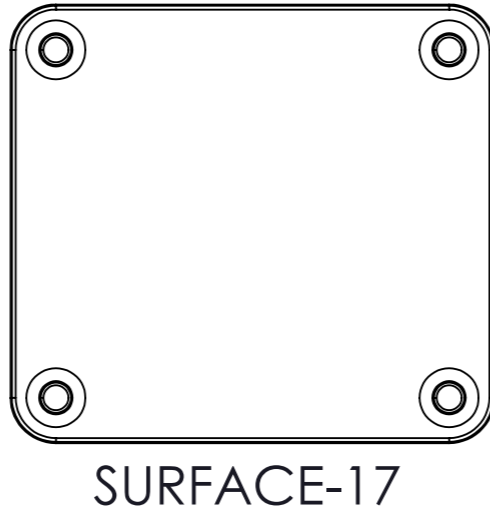
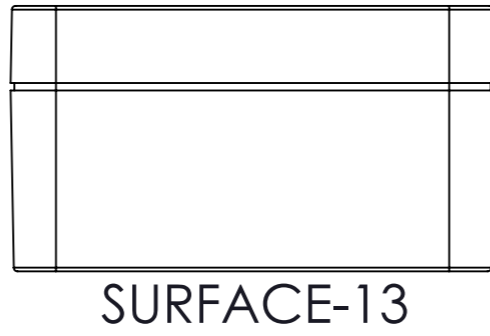
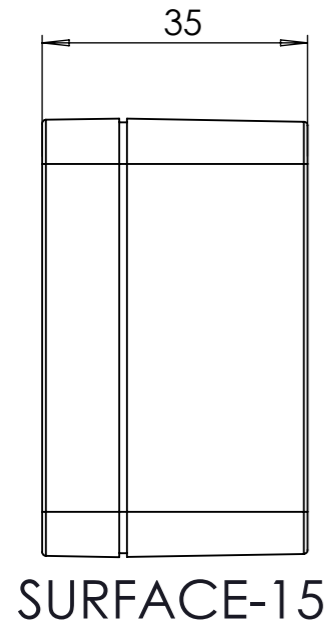





SE-204 IF MACHINED TOGETHER



REV. NO	DATE	REVISED BY	DESCRIPTION OF CHANGE
 <b>ALTINKAYA</b> Electronic Enclosures & Components			
Customer Name:		Customer Ref:	
Altinkaya Ref:		Part Name : SE-204-0-0	
NAME		DATE	
DRAWN S. YESILOZ		25.11.2024	
CHECKED Y. YEL		25.11.2024	
Material :		Weight:	
UNLESS OTHERWISE SPECIFIED (DIN7168)		UNIT : mm	
0,5-3mm		3-6 mm	
±0,1		±0,1	
6-30mm		30-120mm	
±0,2		±0,3	
120-400mm		±0,5	
Dimension (mm)		m (medium)	
SCALE:1:1		SHEET 2 OF 2	

A3