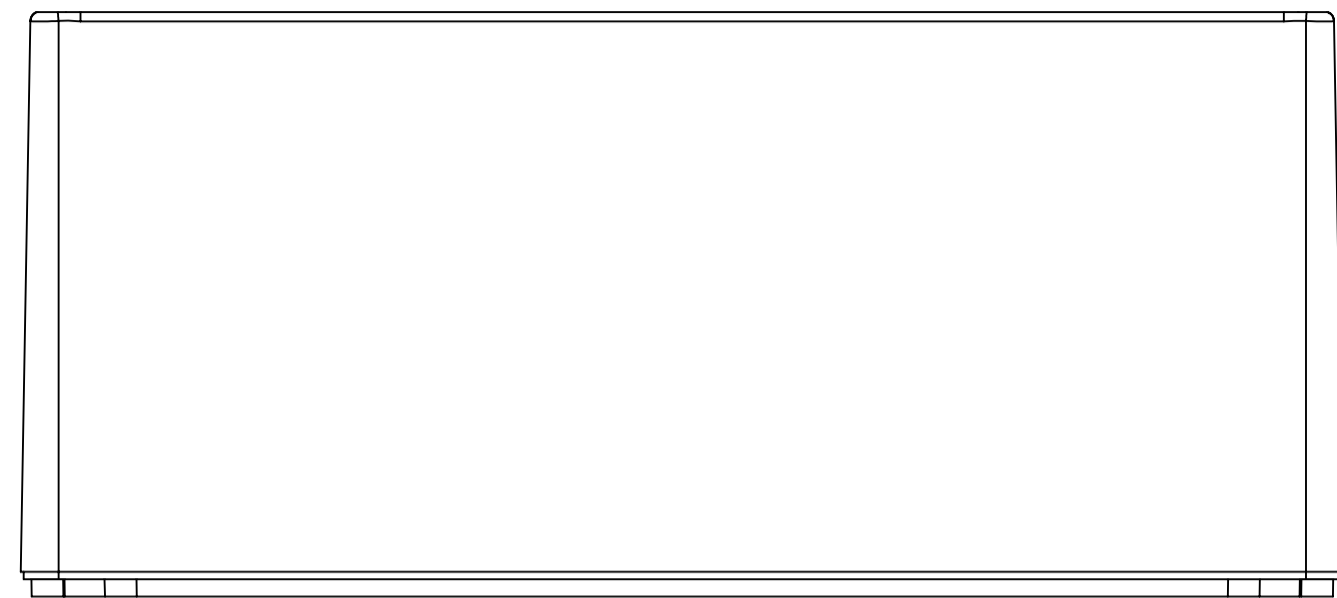
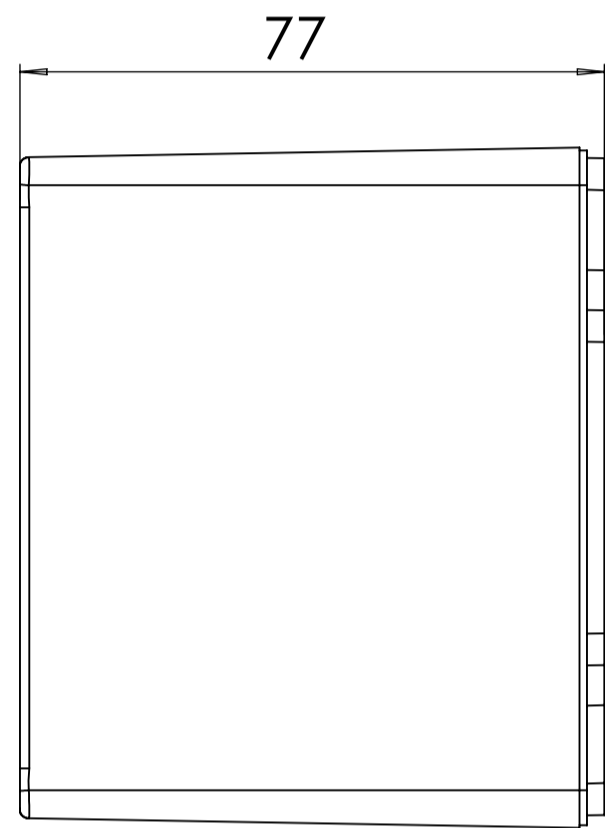


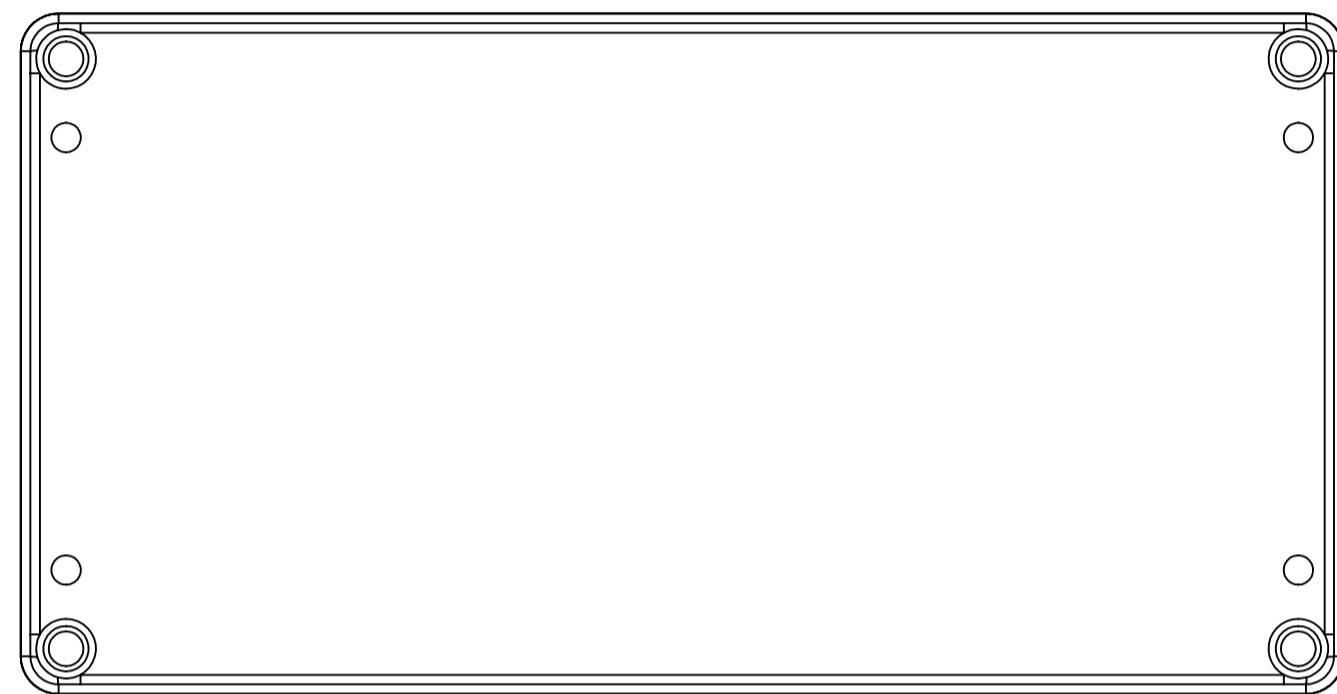
# BASE: 6 SURFACE



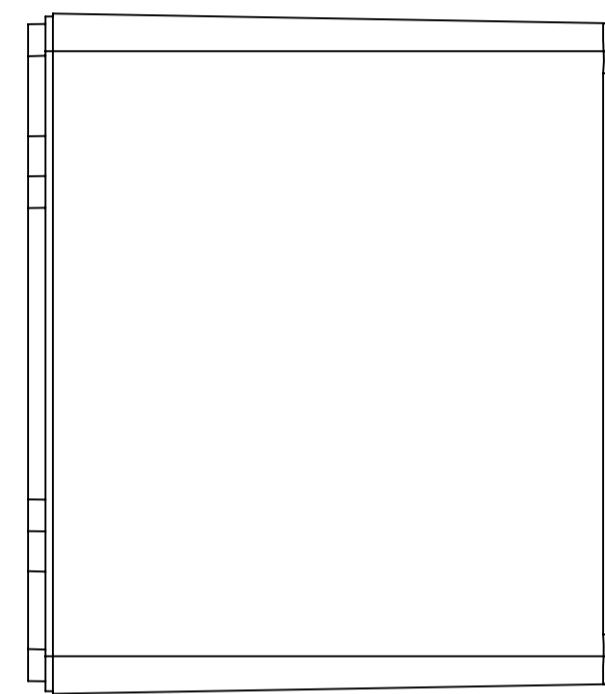
SURFACE-1



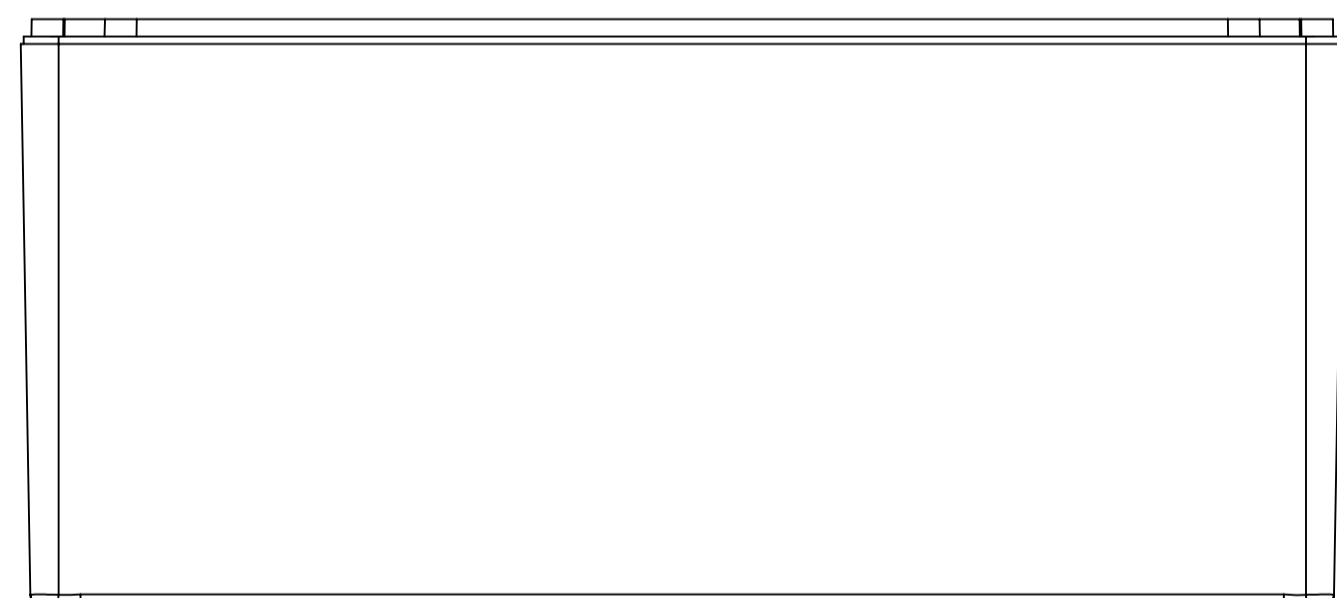
SURFACE-3



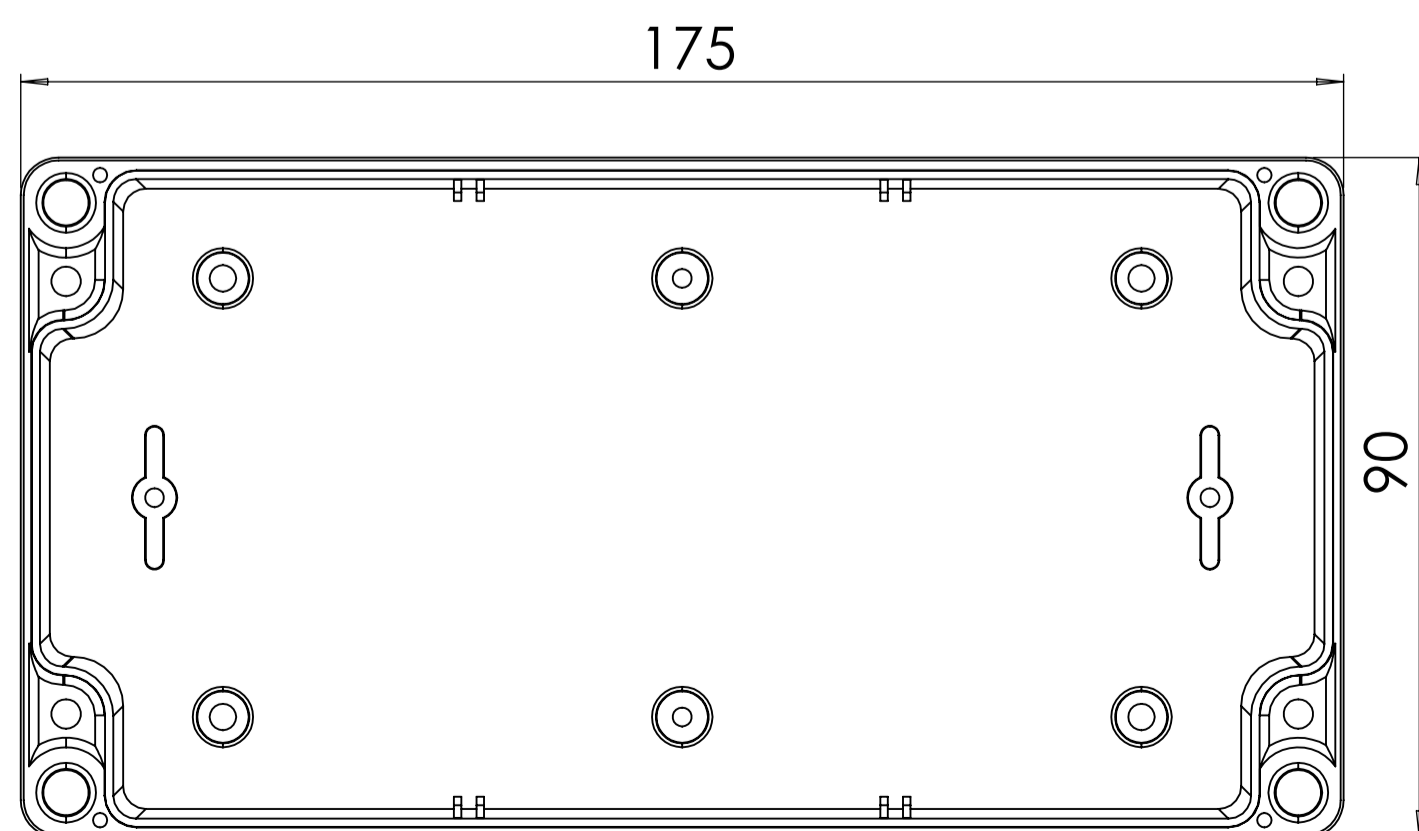
SURFACE-5



SURFACE-4

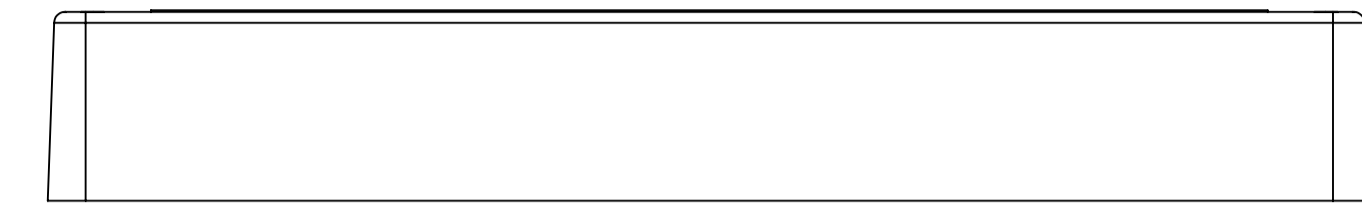


SURFACE-2

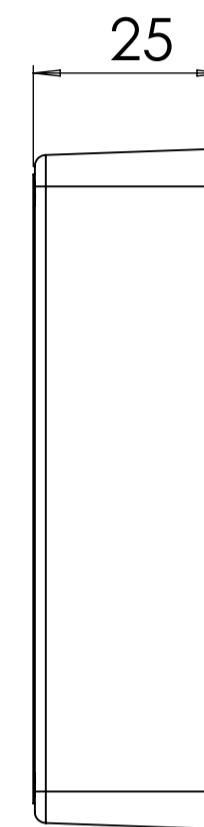


SURFACE-6 (INSIDE)

# COVER: 6 SURFACE



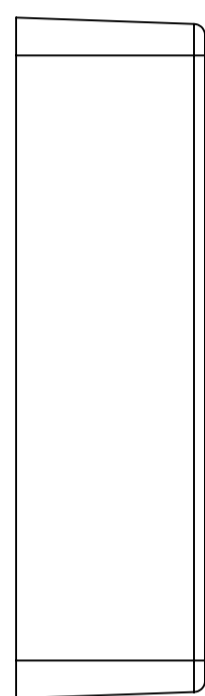
SURFACE-7



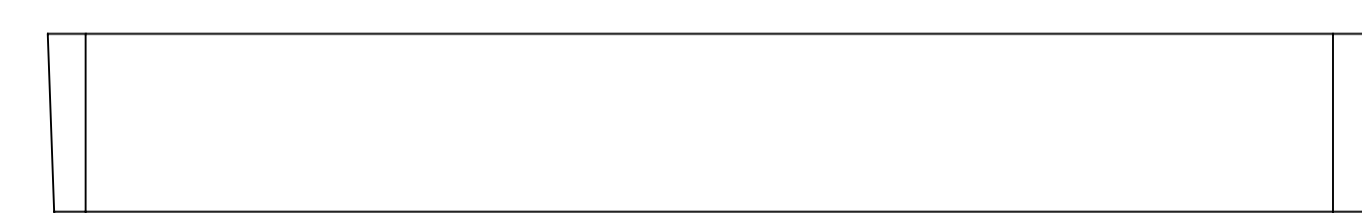
SURFACE-9



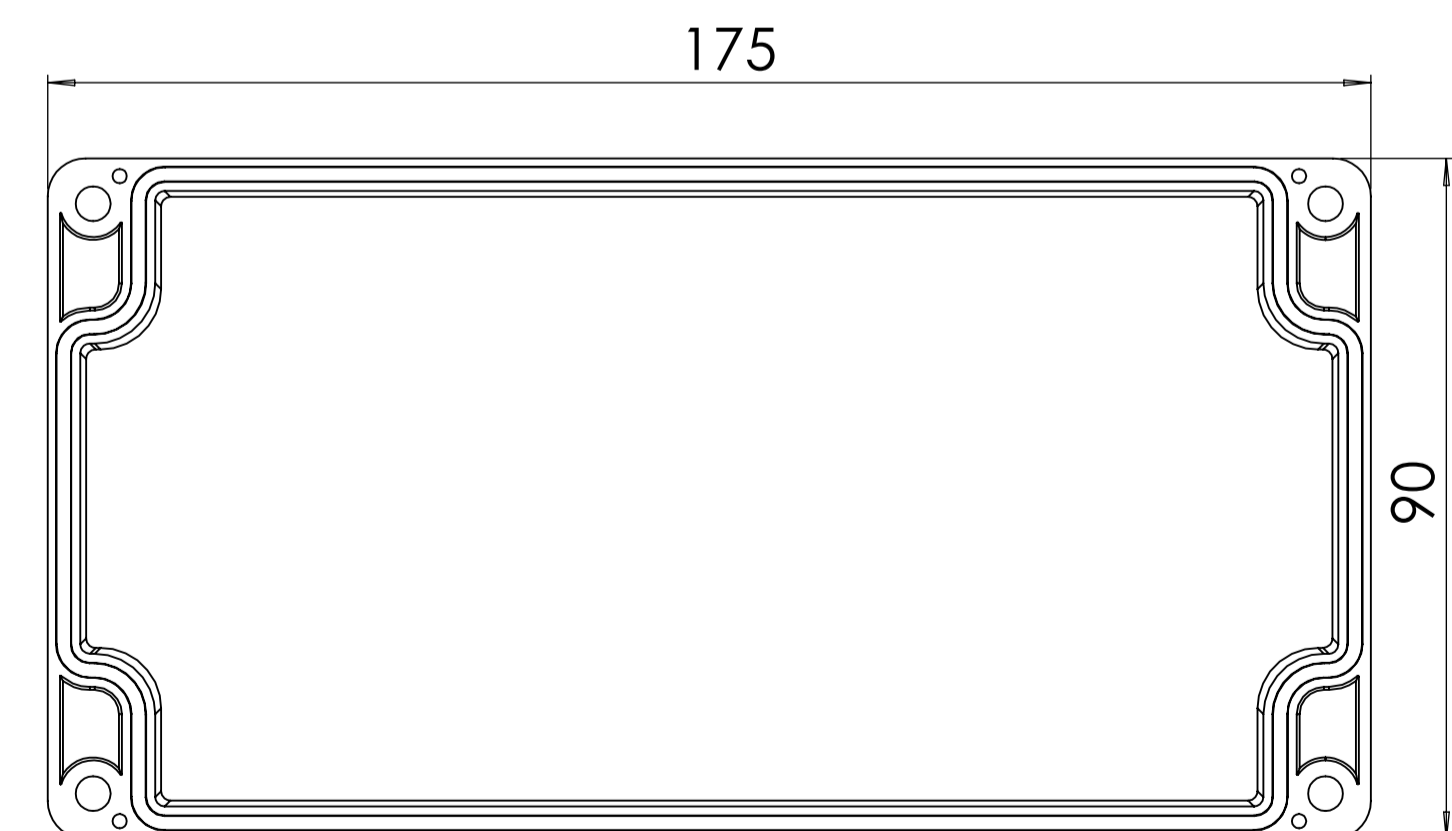
SURFACE-11




SURFACE-10



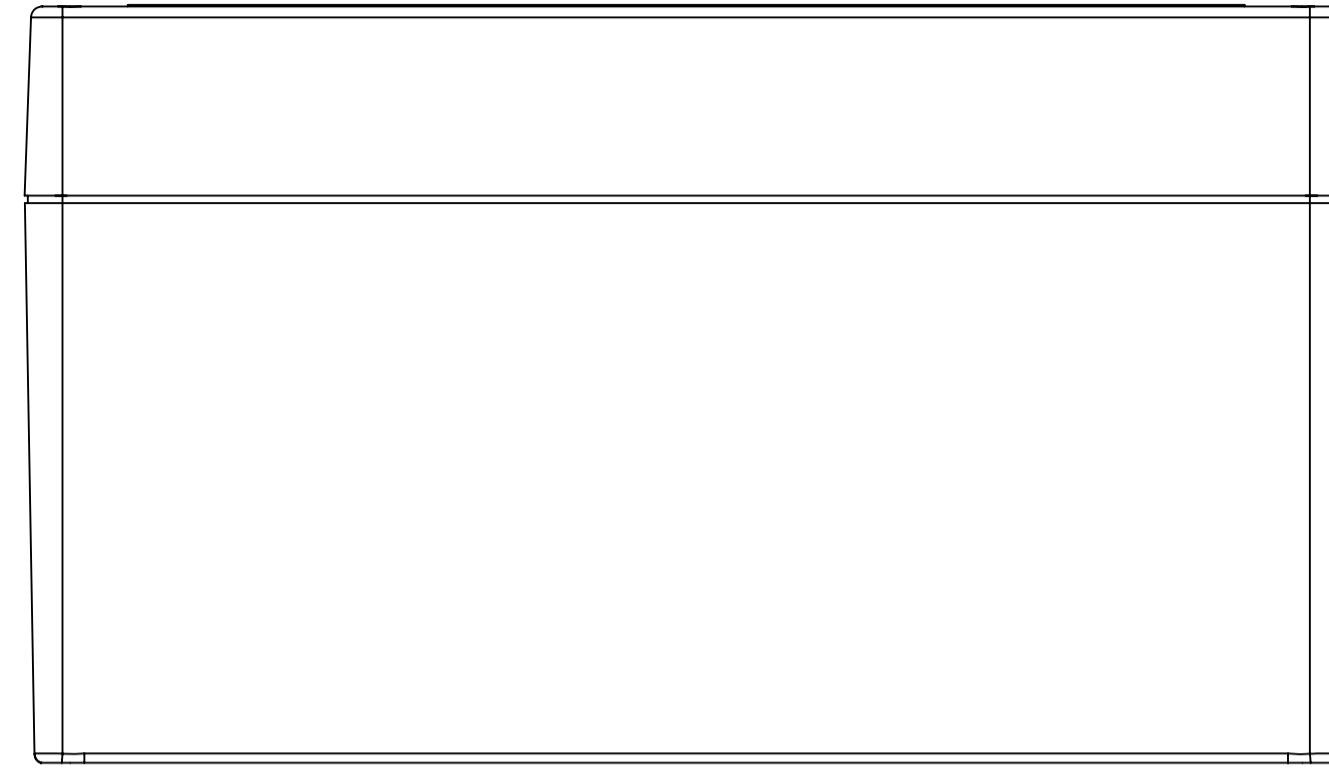
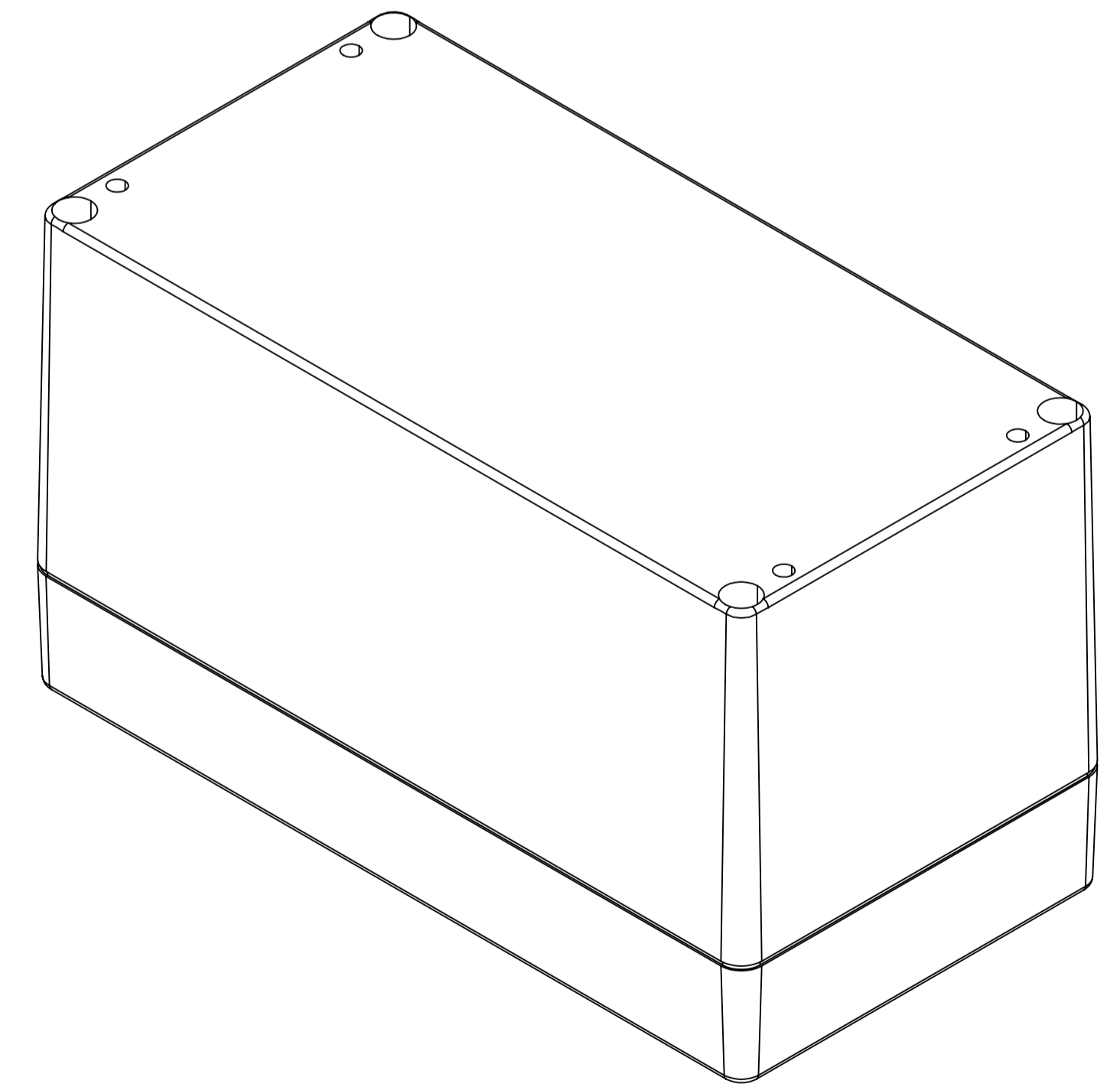
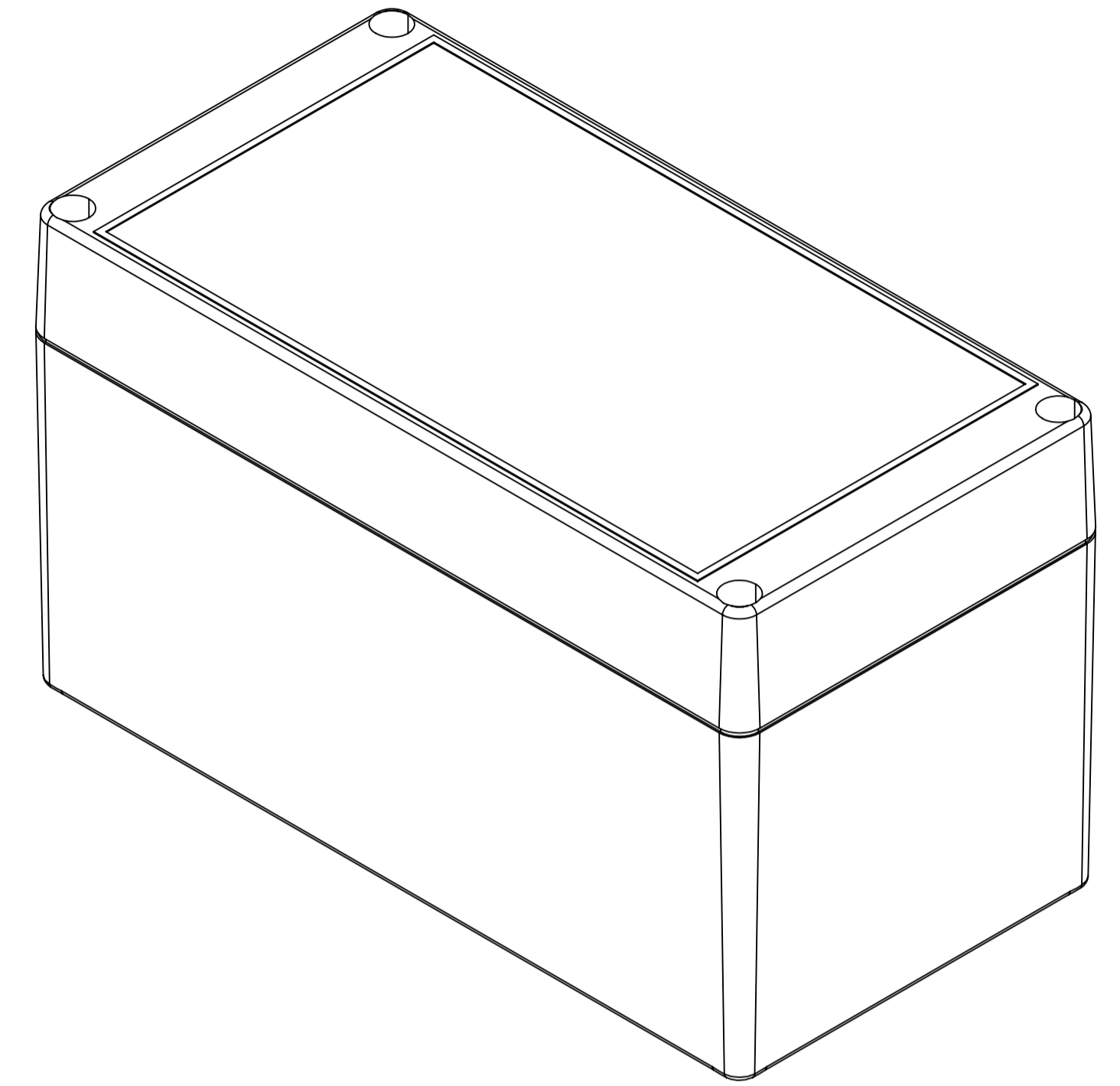
SURFACE-8



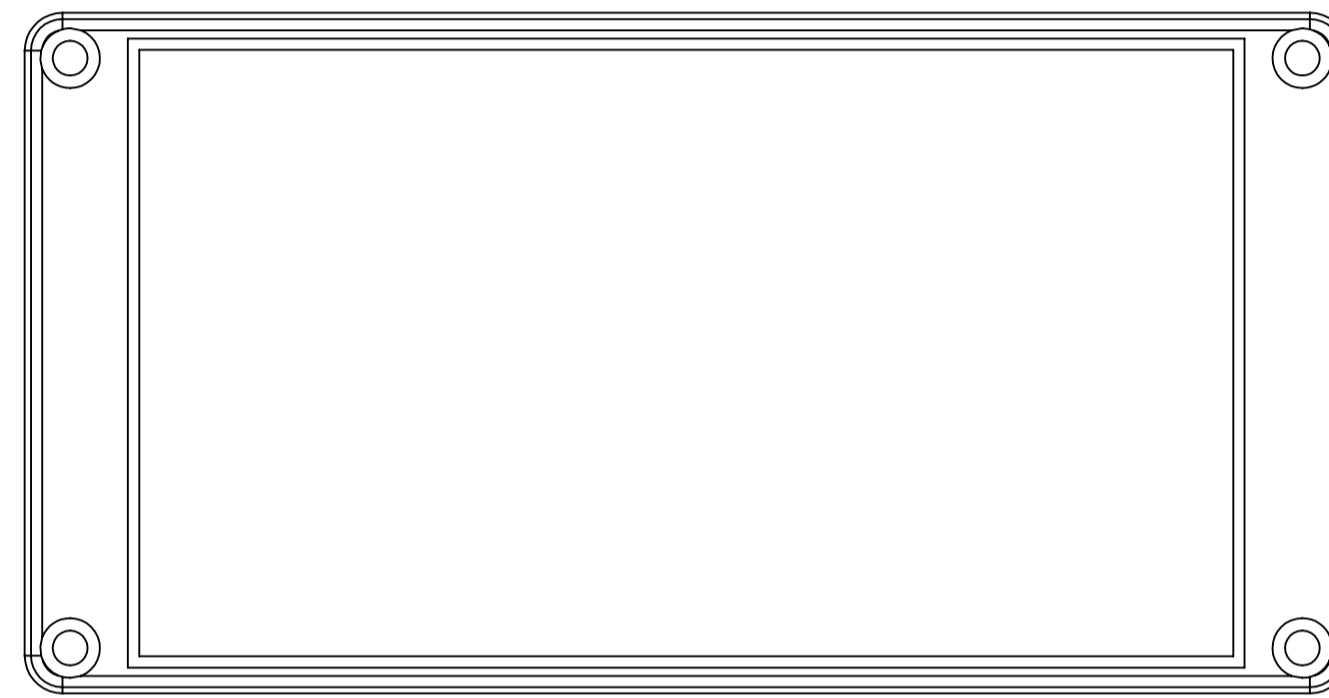
SURFACE-12 (INSIDE)

REV. NO.	DATE	REVISED BY	DESCRIPTION OF CHANGE
 <b>ALTINKAYA</b> Electronic Enclosures & Components			<a href="http://www.altinkaya.com">www.altinkaya.com</a>
Customer Name:		Customer Ref.:	
Altinkaya Ref.:		Part Name: SE-056	
DRAWN	NAME	DATE	Material:
CHECKED	Y. YESLOZ	9.07.2024	Weight:
DIMENSIONAL TOLERANCES UNLESS OTHERWISE SPECIFIED:			SCALE 1:1 UNIT : mm
	±0.1	±0.1	±0.2
	±0.1	±0.2	±0.3
	±0.1	±0.2	±0.5
			Dimension(mm)
			m(medium)
			A1
			SHEET 1 OF 2

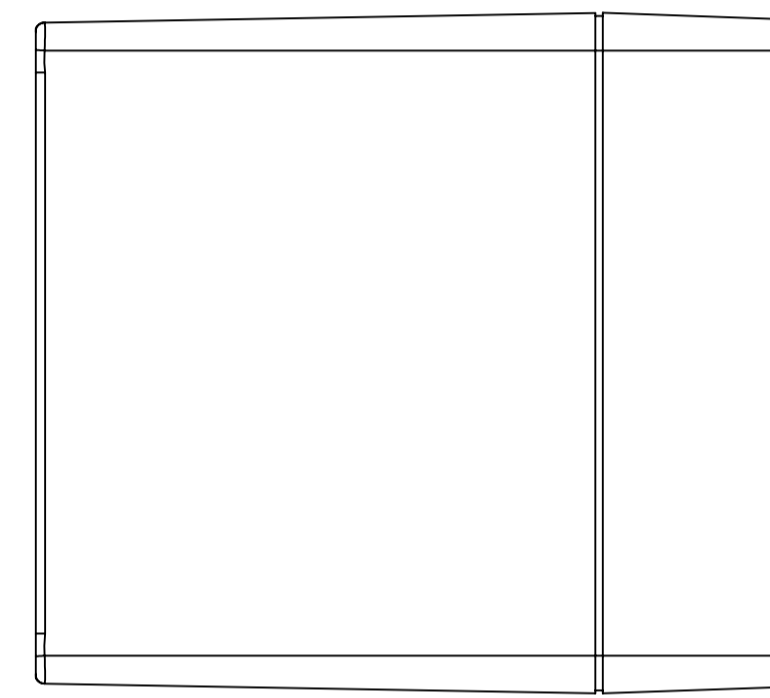
# SF-056 IF MACHINED TOGETHER



SURFACE-13



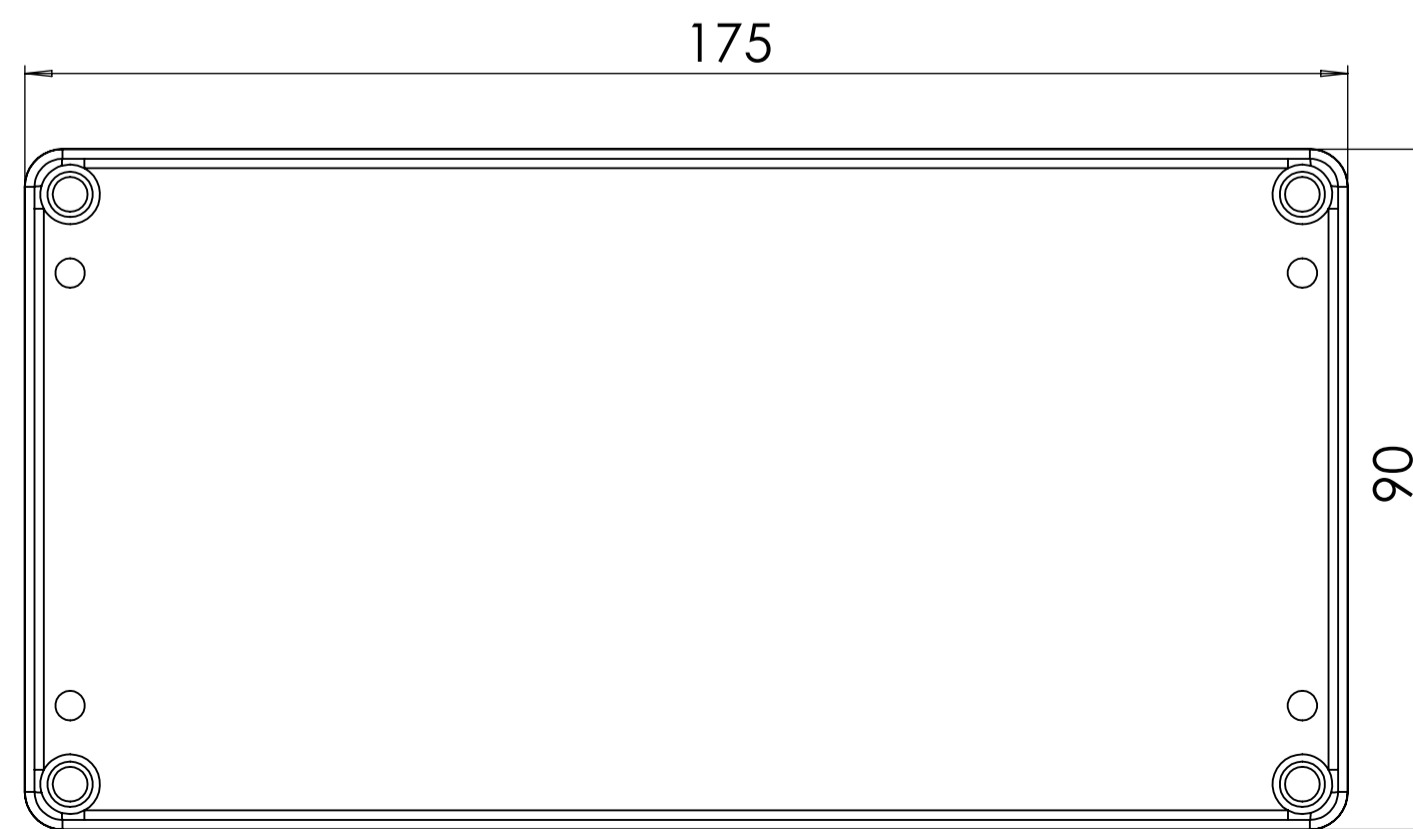
SURFACE-17



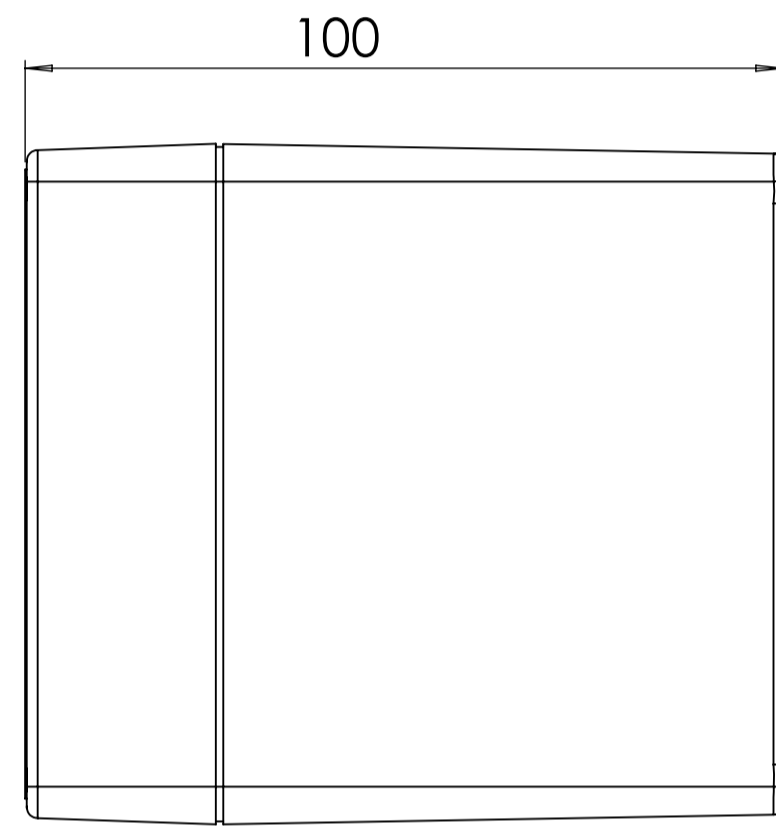
SURFACE-16



SURFACE-14



SURFACE-18



SURFACE-15

REV. NO	DATE	REVISED BY	DESCRIPTION OF CHANGE
<span style="float: right;"><a href="http://www.altinkaya.com">www.altinkaya.com</a></span>			
Customer Name:		Customer Ref.:	
Altinkaya Ref.:		Part Name: SE-056	
DRAWN	NAME	DATE	Drawn From:
CHECKED	Y. YEL	9.07.2024	Material:
DIMENSIONAL TOLERANCES UNLESS OTHERWISE SPECIFIED:			Weight:
(R&T/148)	±0.1	±0.1	±0.2
	3-6mm	6-30mm	30-120mm
			120-400mm
			Dimension(mm)
			m(medium)
			SCALE 1:1 UNIT : mm
			1 2 3 4 5 6 7 8 9 10 11 12 13 14 15 16
			A1 SHEET 2 OF 2