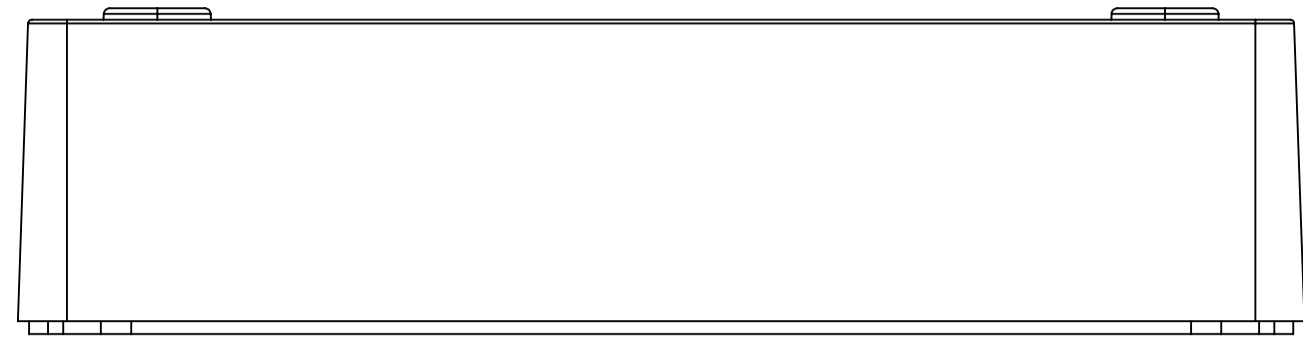
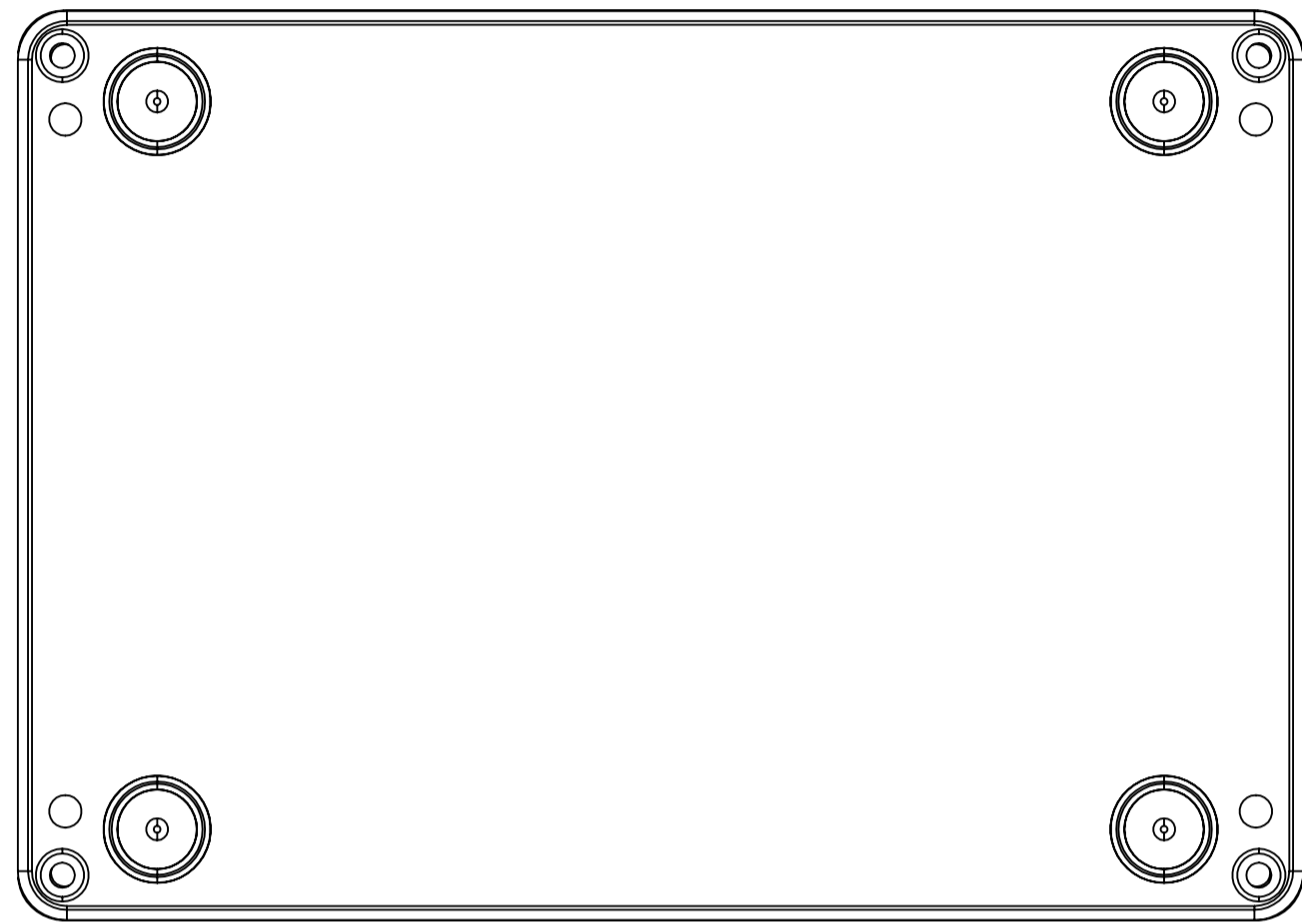


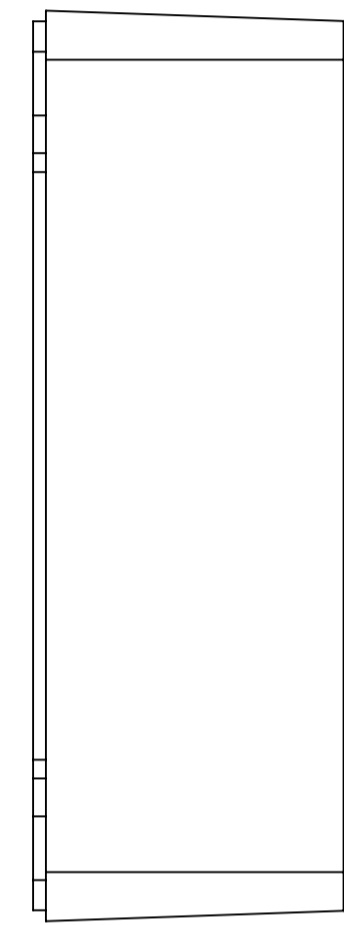
BASE: 6 SURFACE



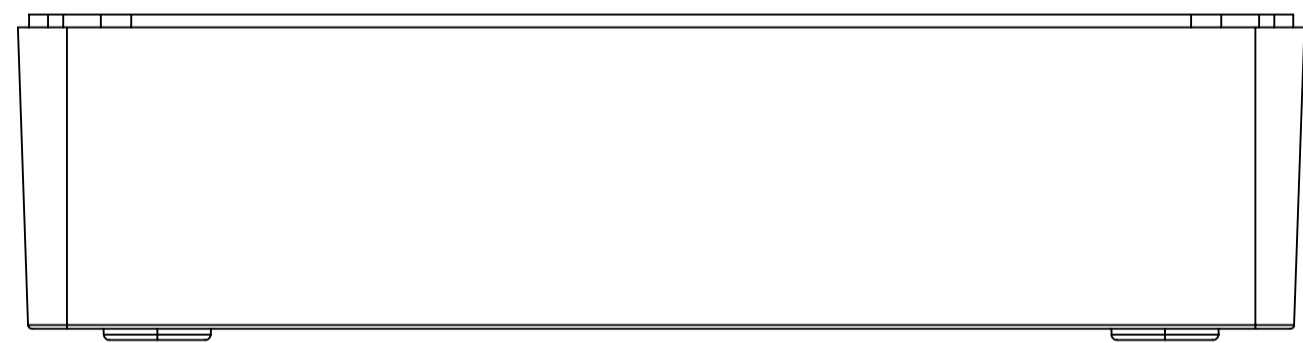
SURFACE-1



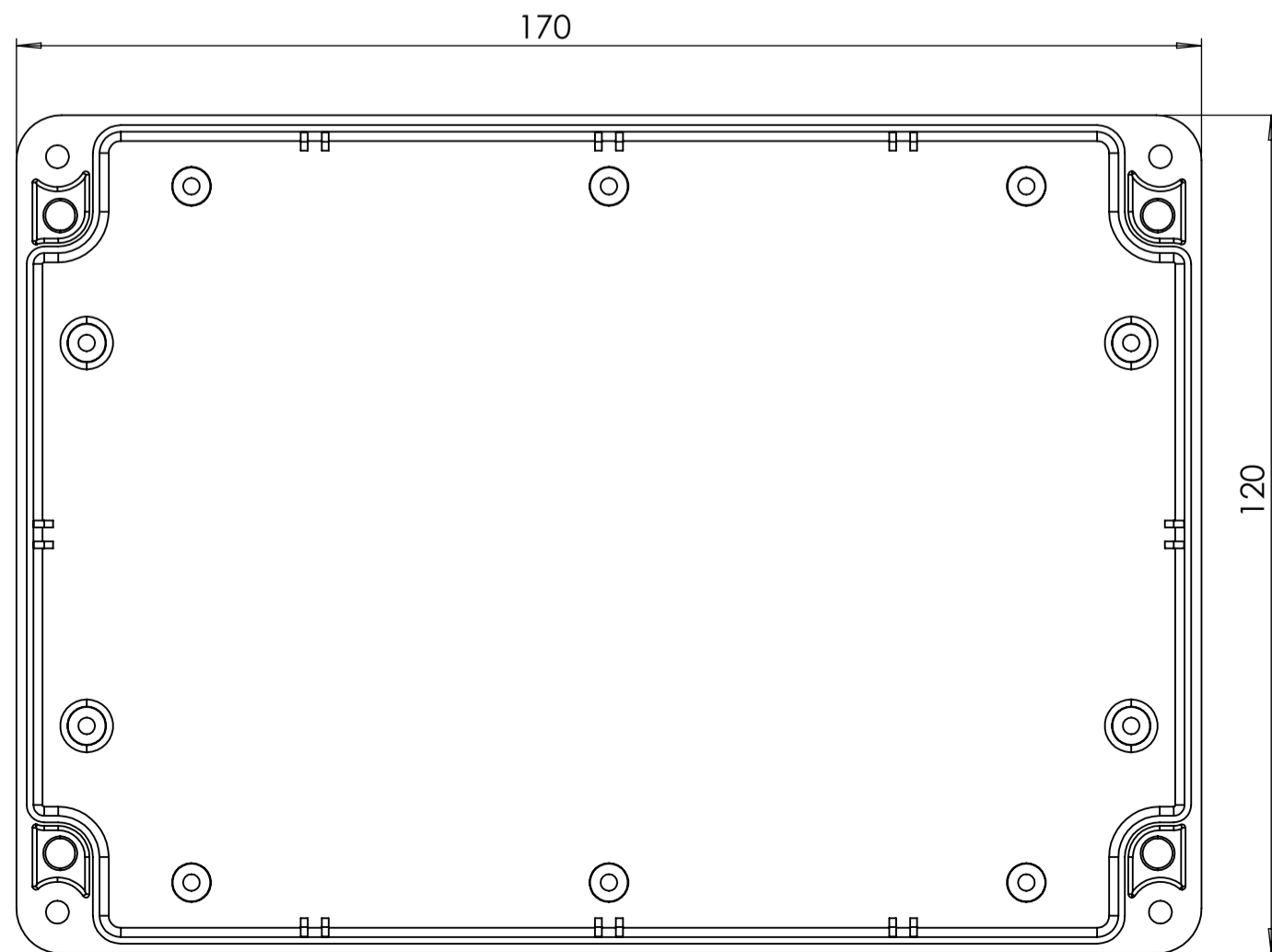
SURFACE-5



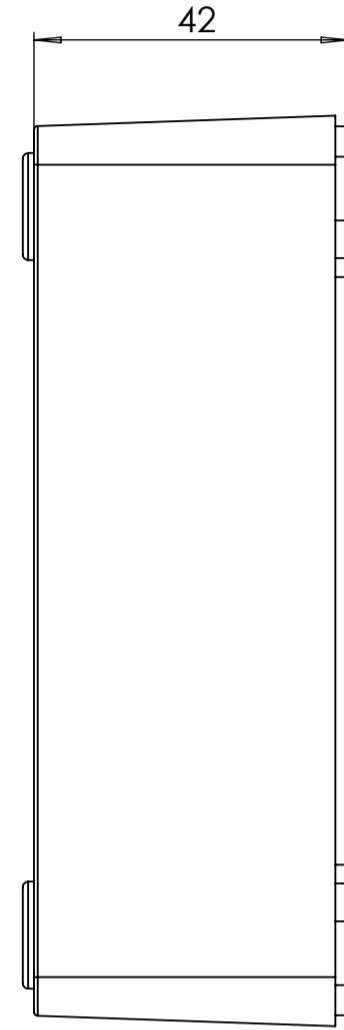
SURFACE-4



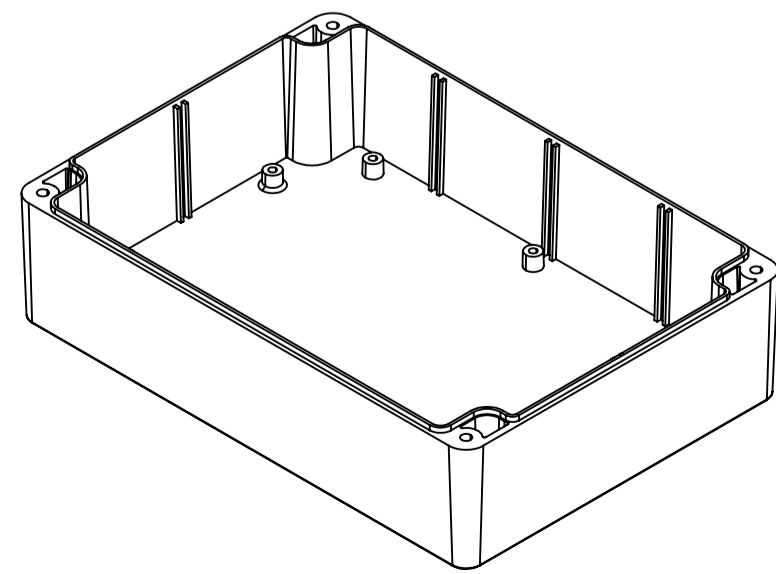
SURFACE-2



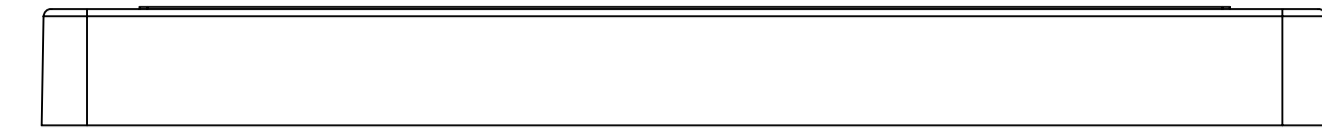
SURFACE-6 (INSIDE)



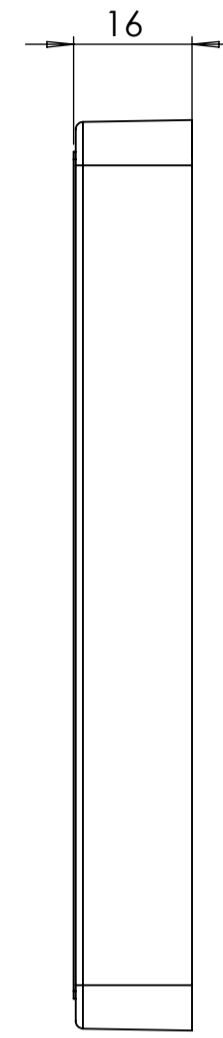
SURFACE-3



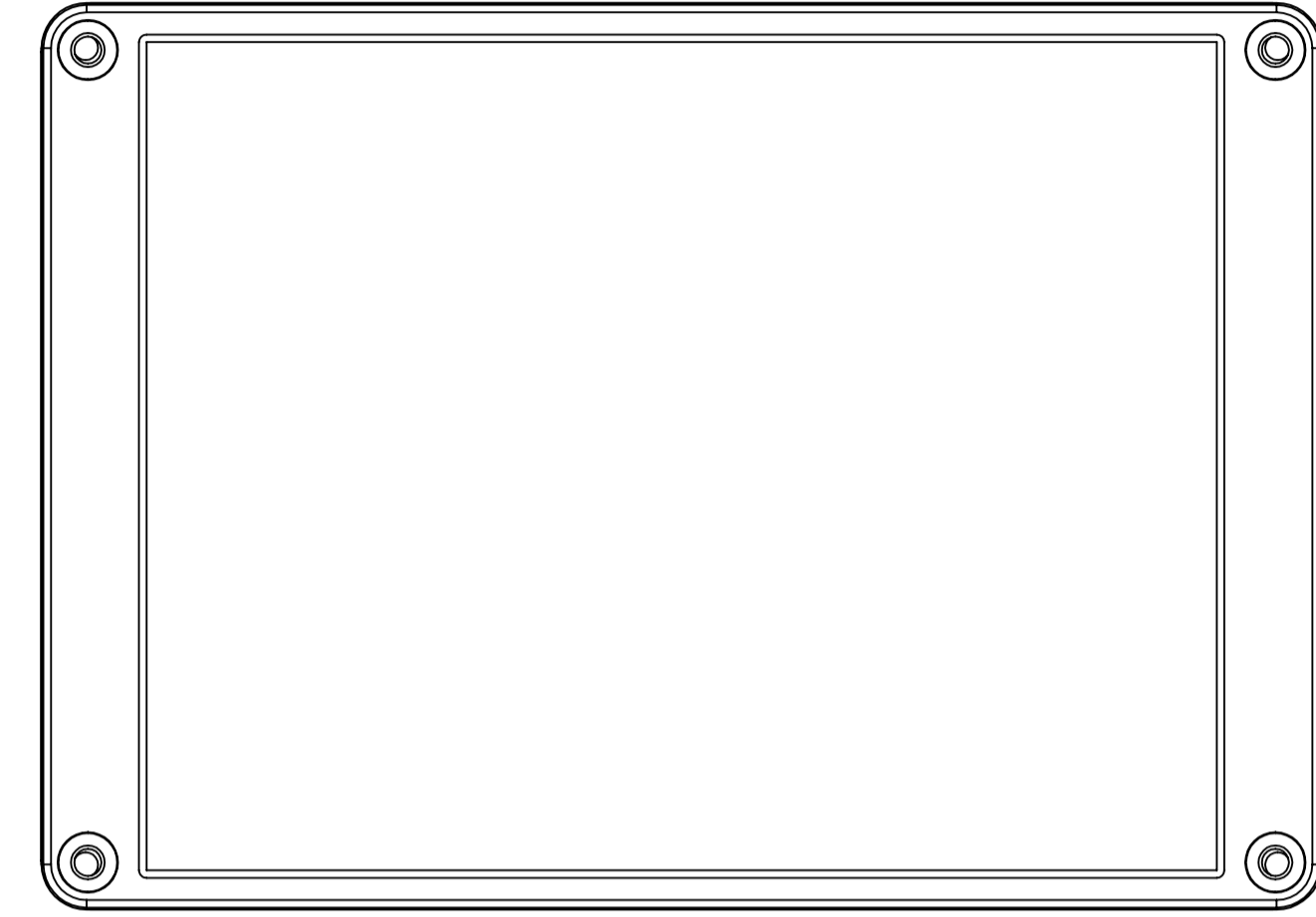
COVER: 6 SURFACE



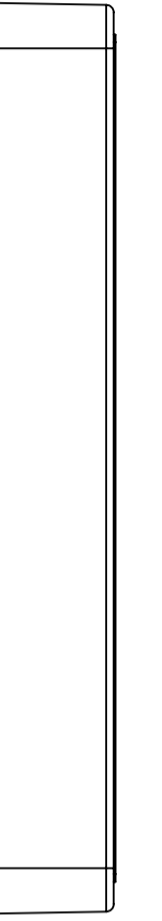
SURFACE-7



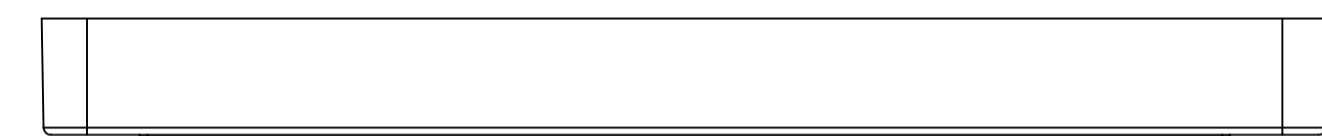
SURFACE-9



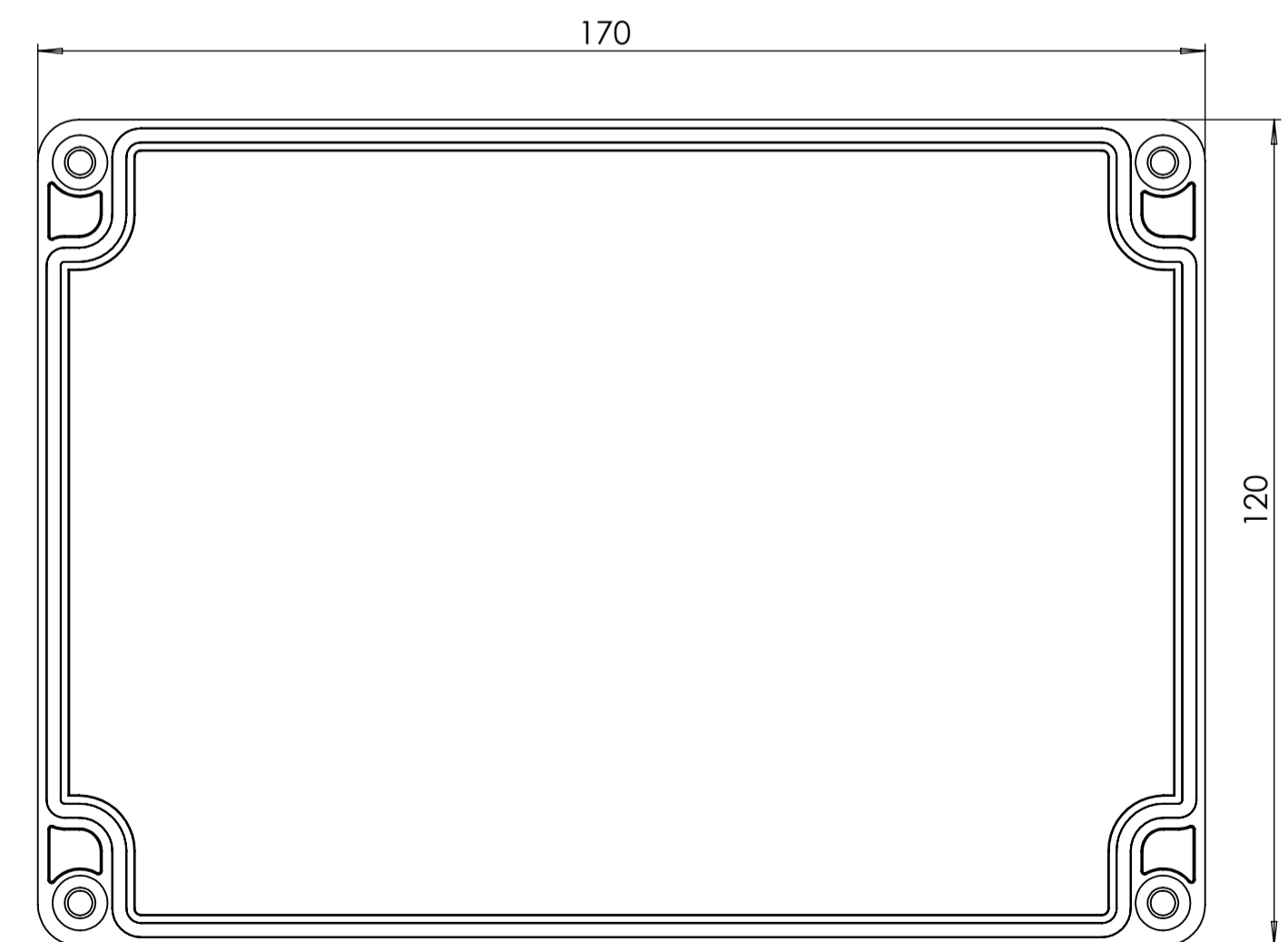
SURFACE-11



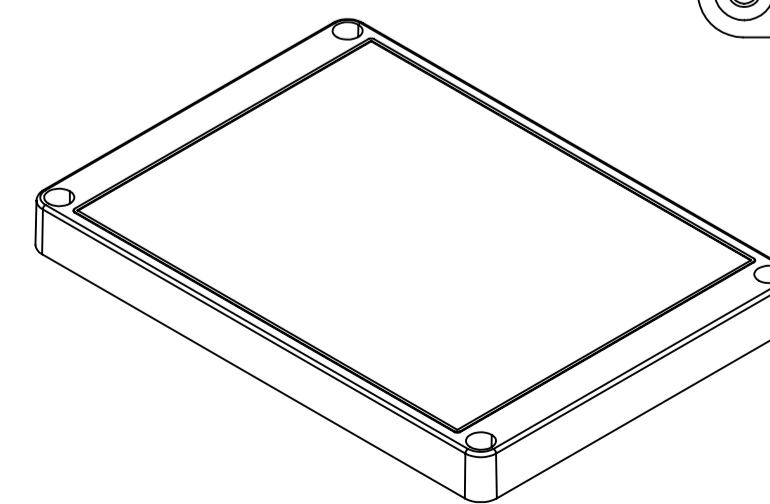
SURFACE-10




SURFACE-8

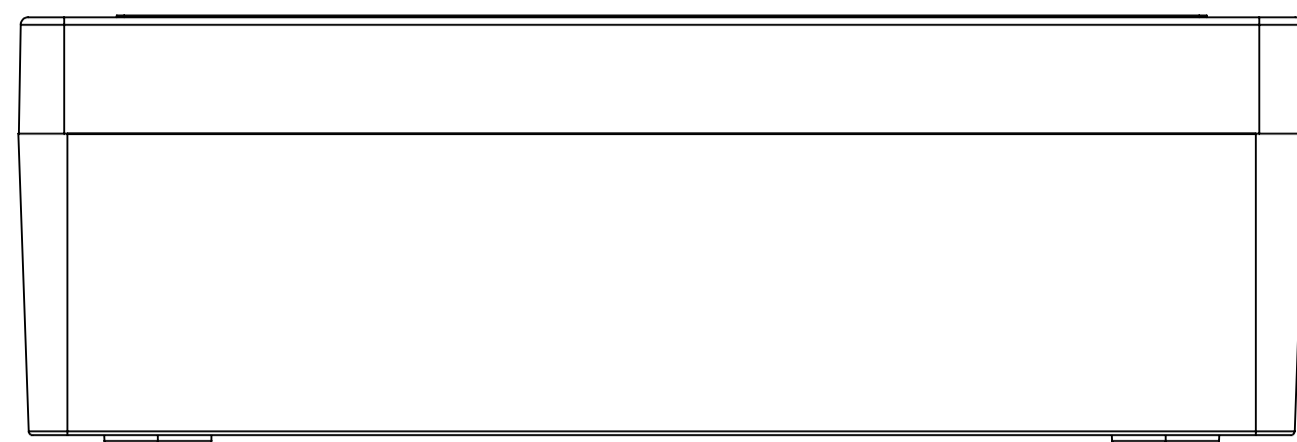


SURFACE-12 (INSIDE)

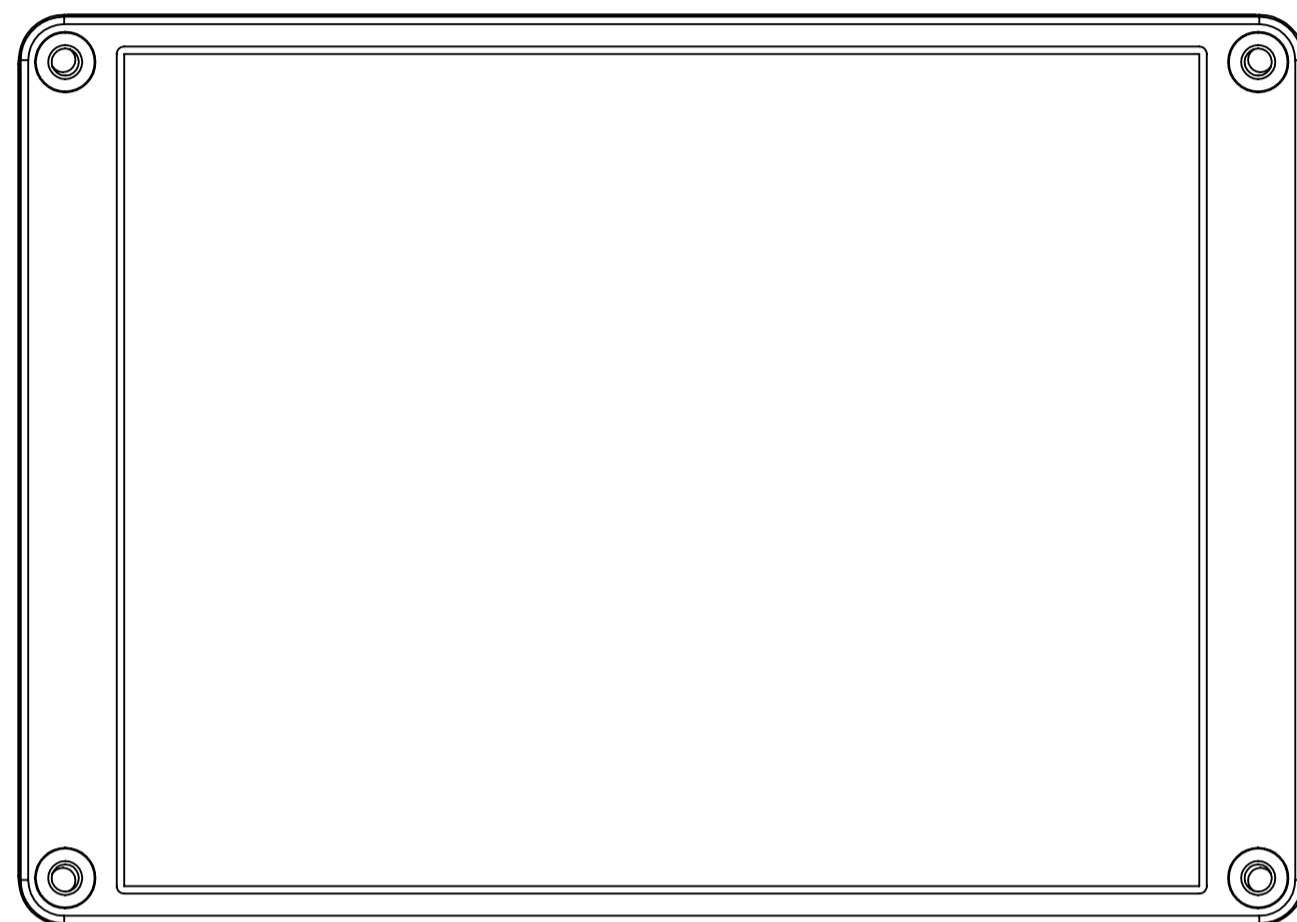


REV. NO.	DATE	REVISED BY	DESCRIPTION OF CHANGE
 ALTINKAYA Electronic Enclosures & Components www.altinkaya.com			
Customer Name:		Customer Ref.:	
Altinkaya Ref.:		Part Name: SE-050-0-0	
DRAWN	NAME	DATE	Material:
CHECKED	Y.YEL	9.07.2024	Weight:
DIMENSIONAL TOLERANCES UNLESS OTHERWISE SPECIFIED:			SCALE 1:1 UNIT : mm
(R&T/148)	±0.1	±0.1	±0.2 ±0.3 ±0.5
	3-6mm	6-30mm	30-120mm 120-400mm
			Dimension(mm) m(medium)

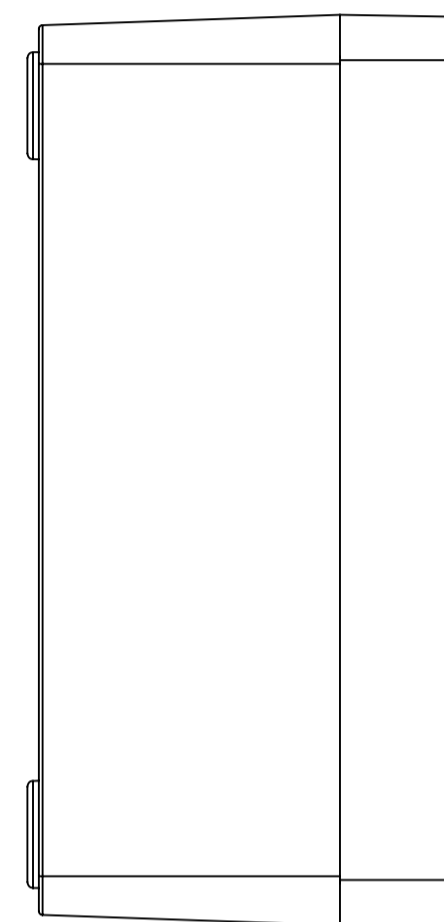
SF-050 IF MACHINED TOGETHER



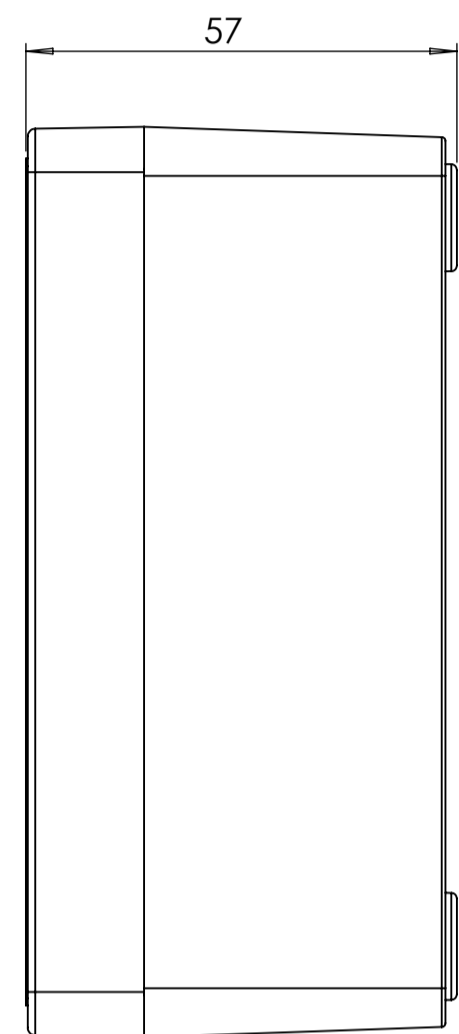
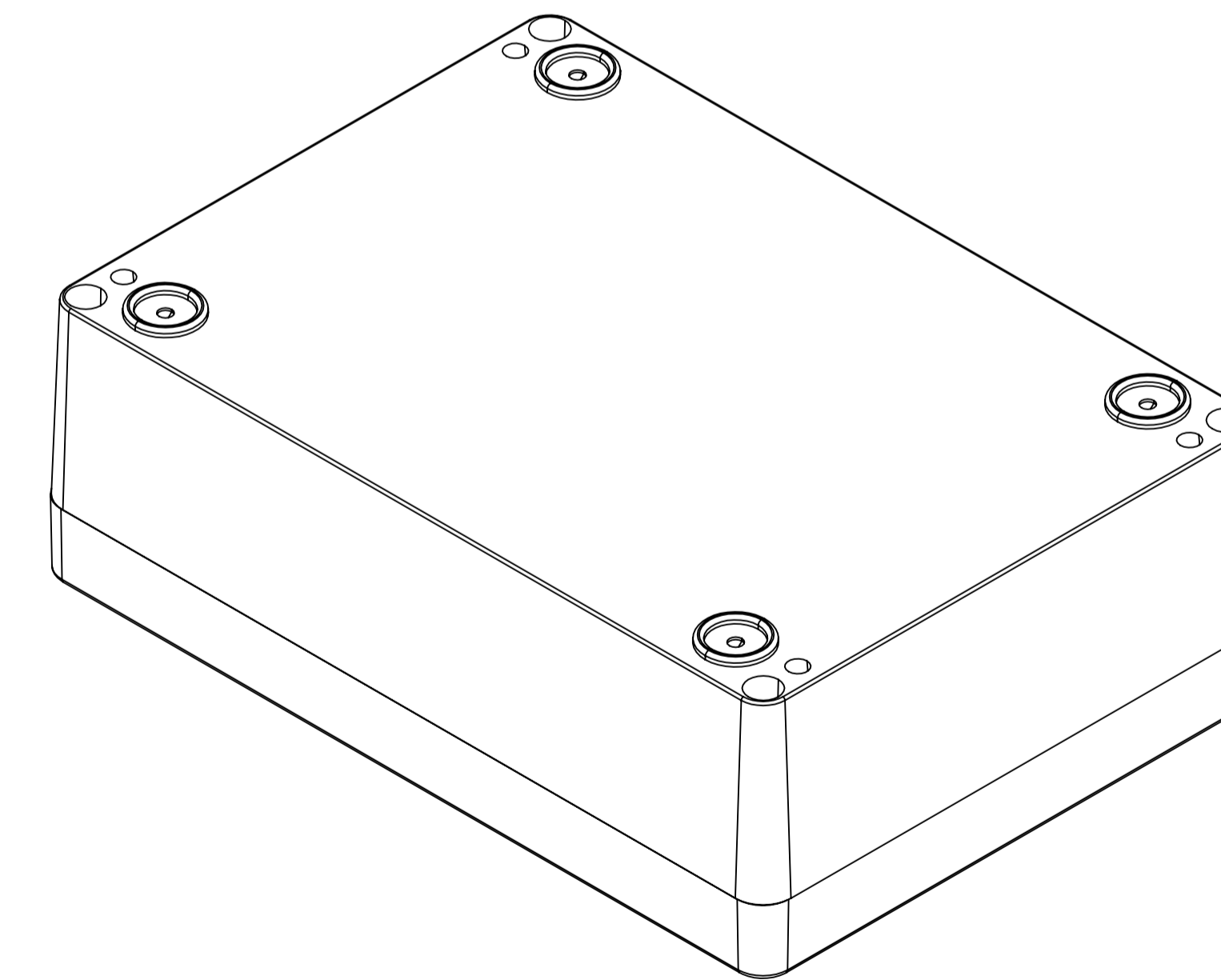
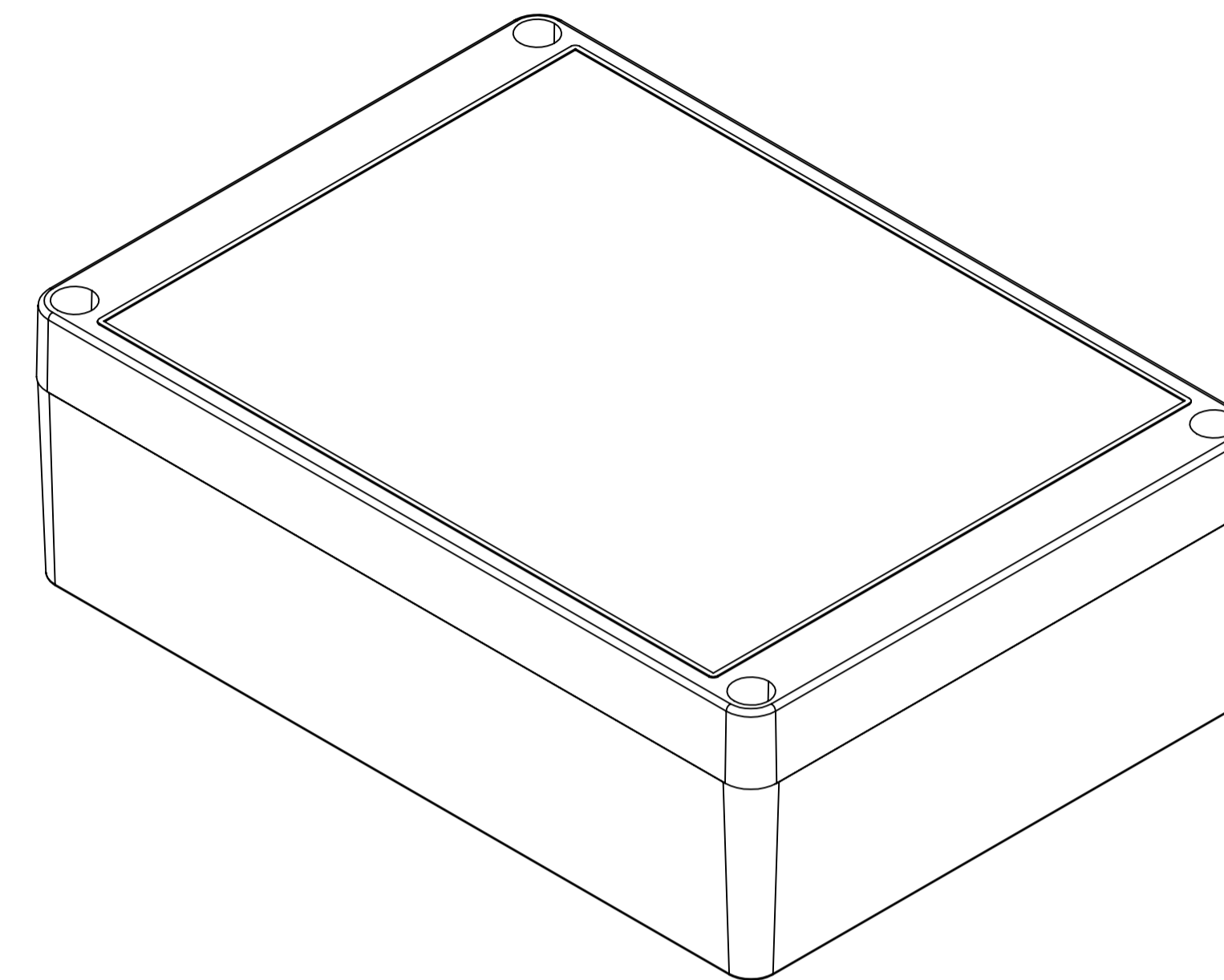
SURFACE-13



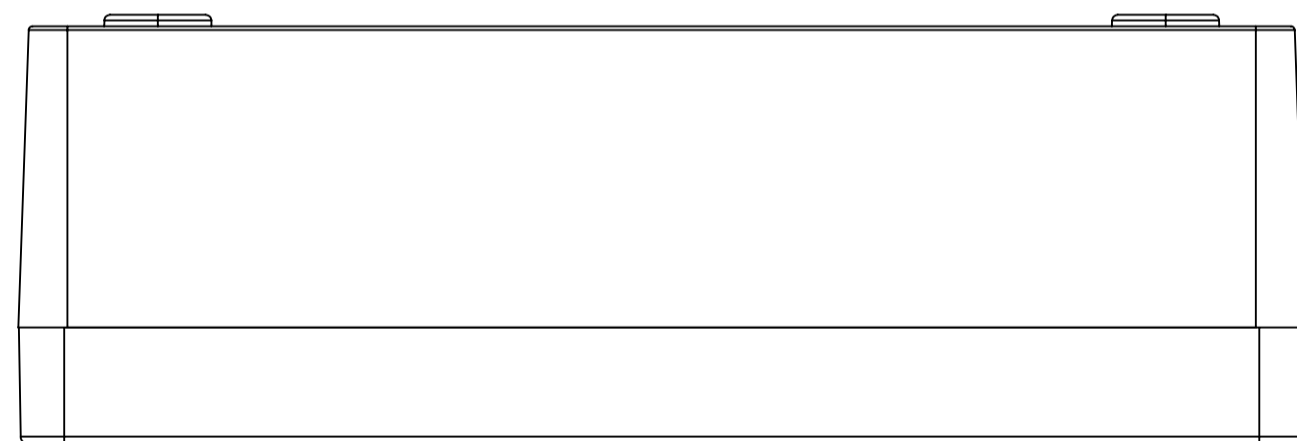
SURFACE-17



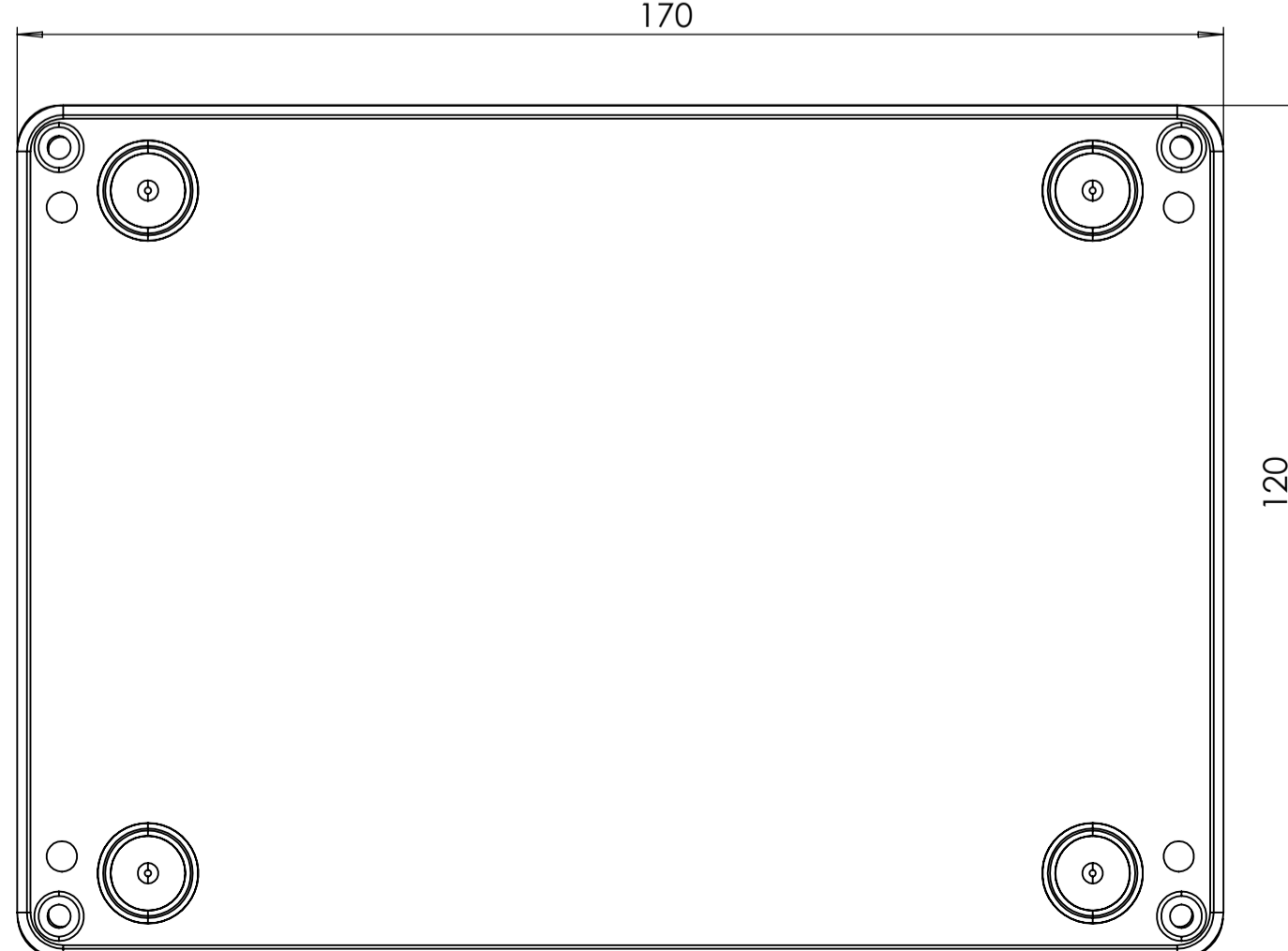
SURFACE-16



SURFACE-15



SURFACE-14



SURFACE-18

REV. NO.	DATE	REVISED BY	DESCRIPTION OF CHANGE
ALTINKAYA Electronic Enclosures & Components www.altinkaya.com			
Customer Name:		Customer Ref.:	
Altinkaya Ref.:		Part Name: SE-050-0-0	
DRAWN	NAME	DATE	Drawn From:
CHECKED	Y. YESILOZ	9.07.2024	Material:
DIMENSIONAL TOLERANCES UNLESS OTHERWISE SPECIFIED:		Weight:	SCALE 1:1 UNIT : mm
(R&T) 1/16"	±0.1	±0.1	±0.2
	±0.1	±0.2	±0.3
		±0.5	
			Dimension(mm) m(medium)
			30-120mm 120-400mm
			6-30mm
			3-6mm
			0.5-3mm