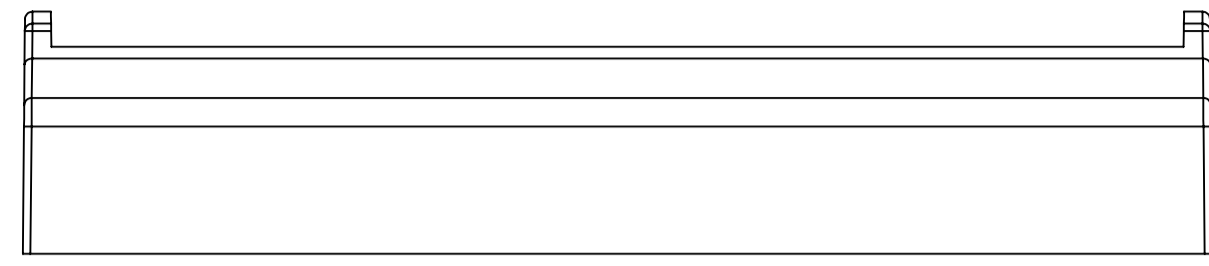
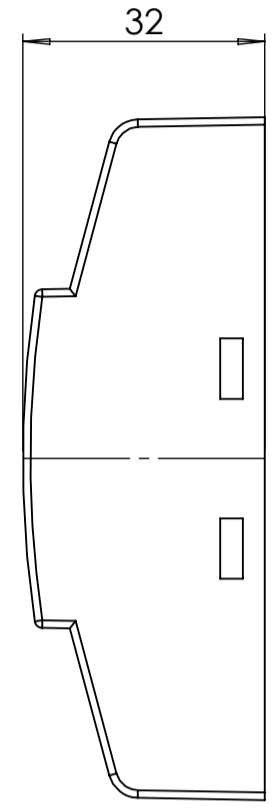


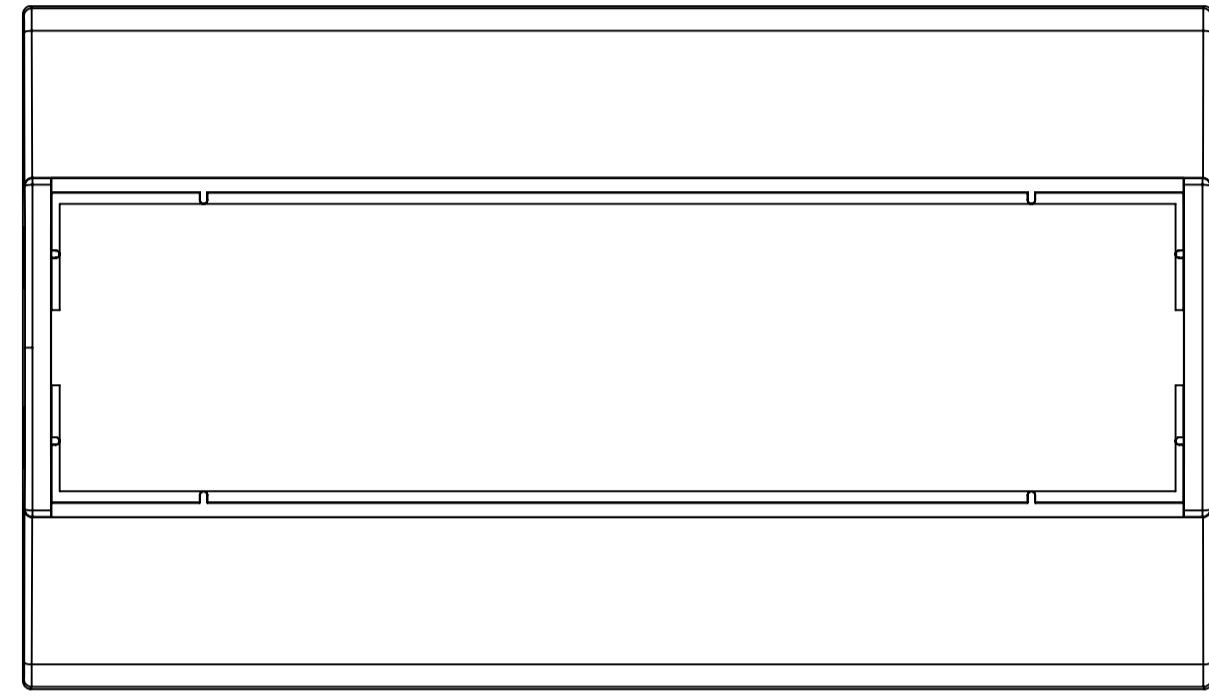
**BASE: 6 SURFACE**



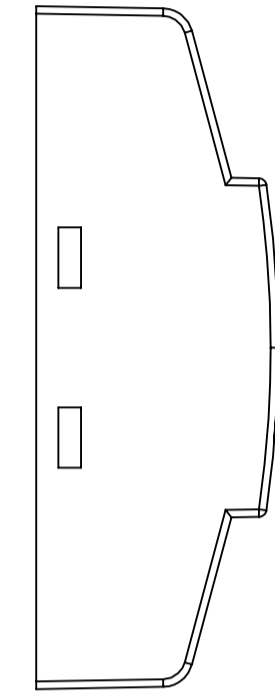
SURFACE-1



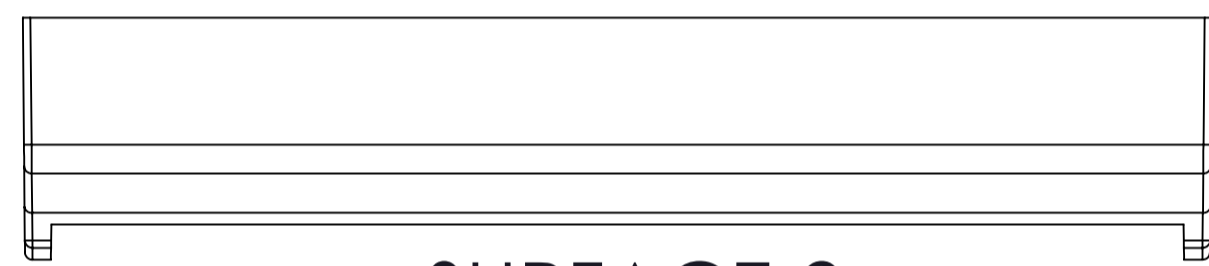
SURFACE-3



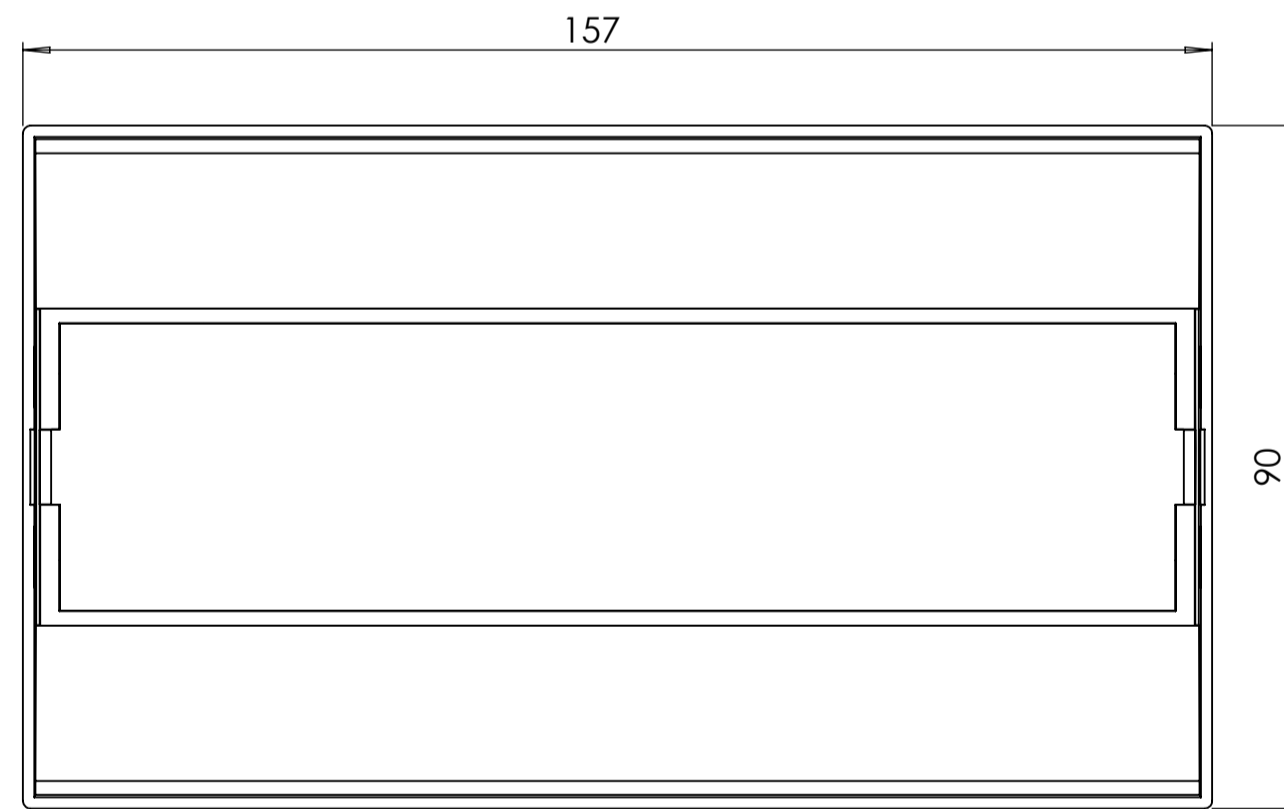
SURFACE-5



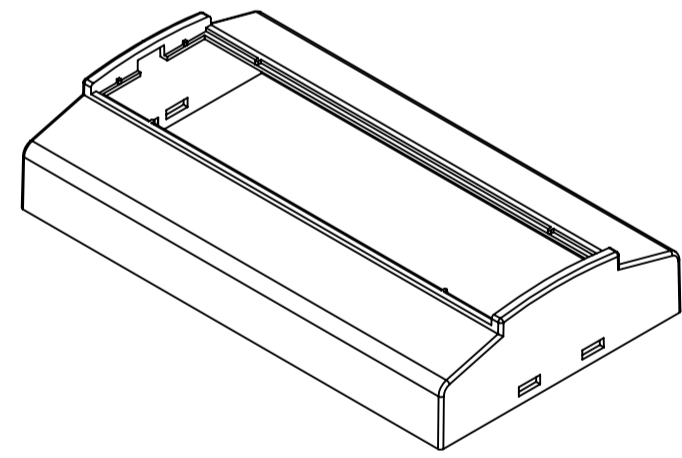
SURFACE-4



SURFACE-2



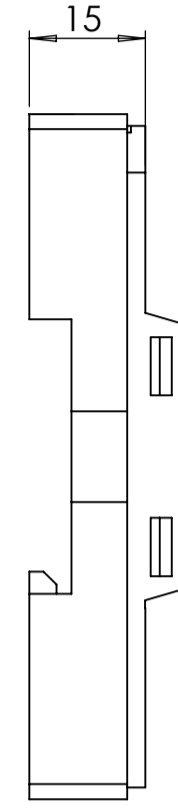
SURFACE-6 (INSIDE)



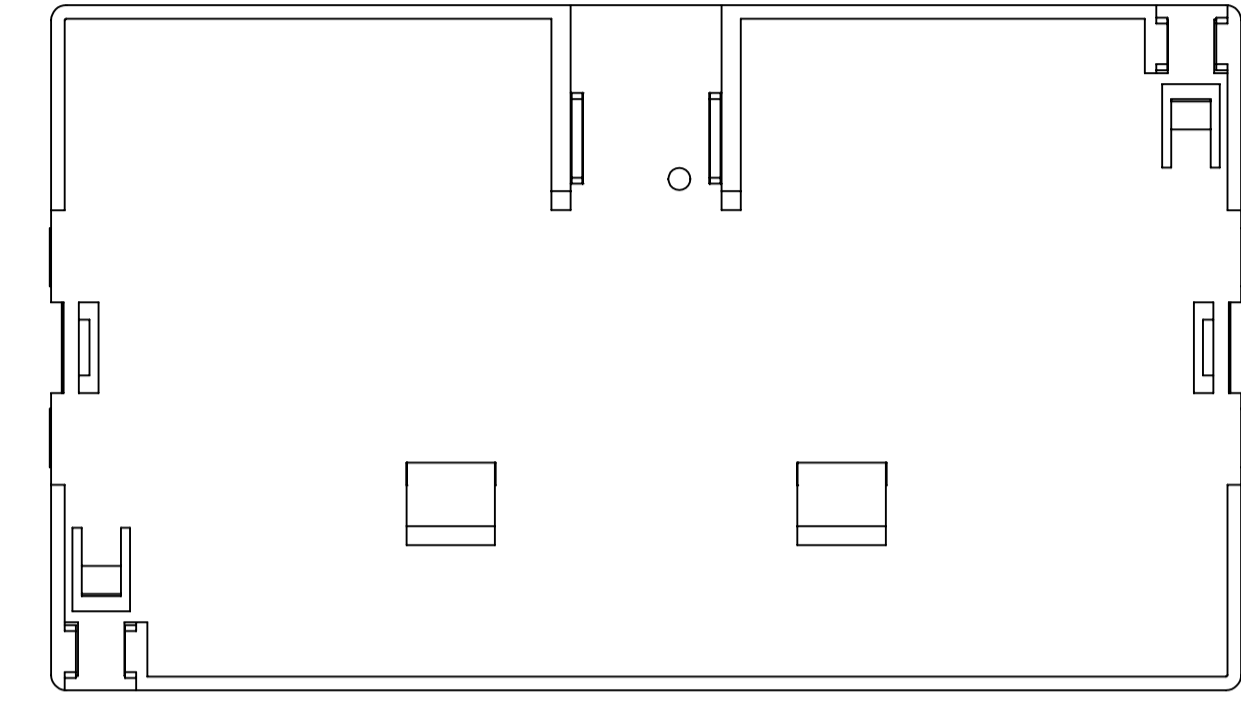
**COVER: 6 SURFACE**



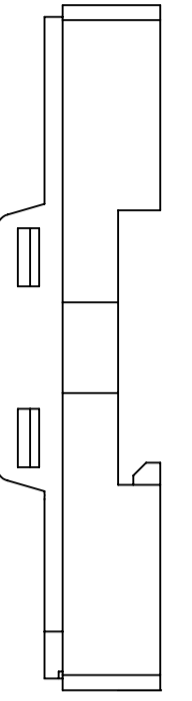
SURFACE-7



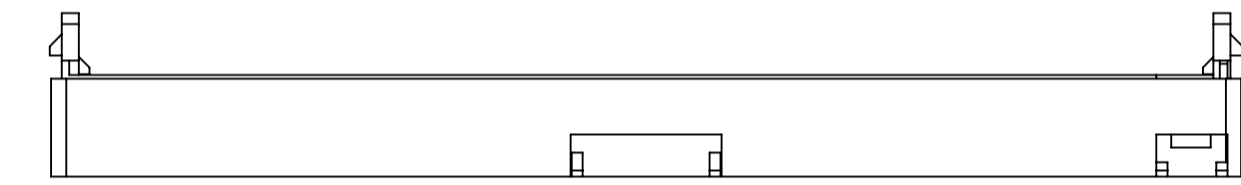
SURFACE-9



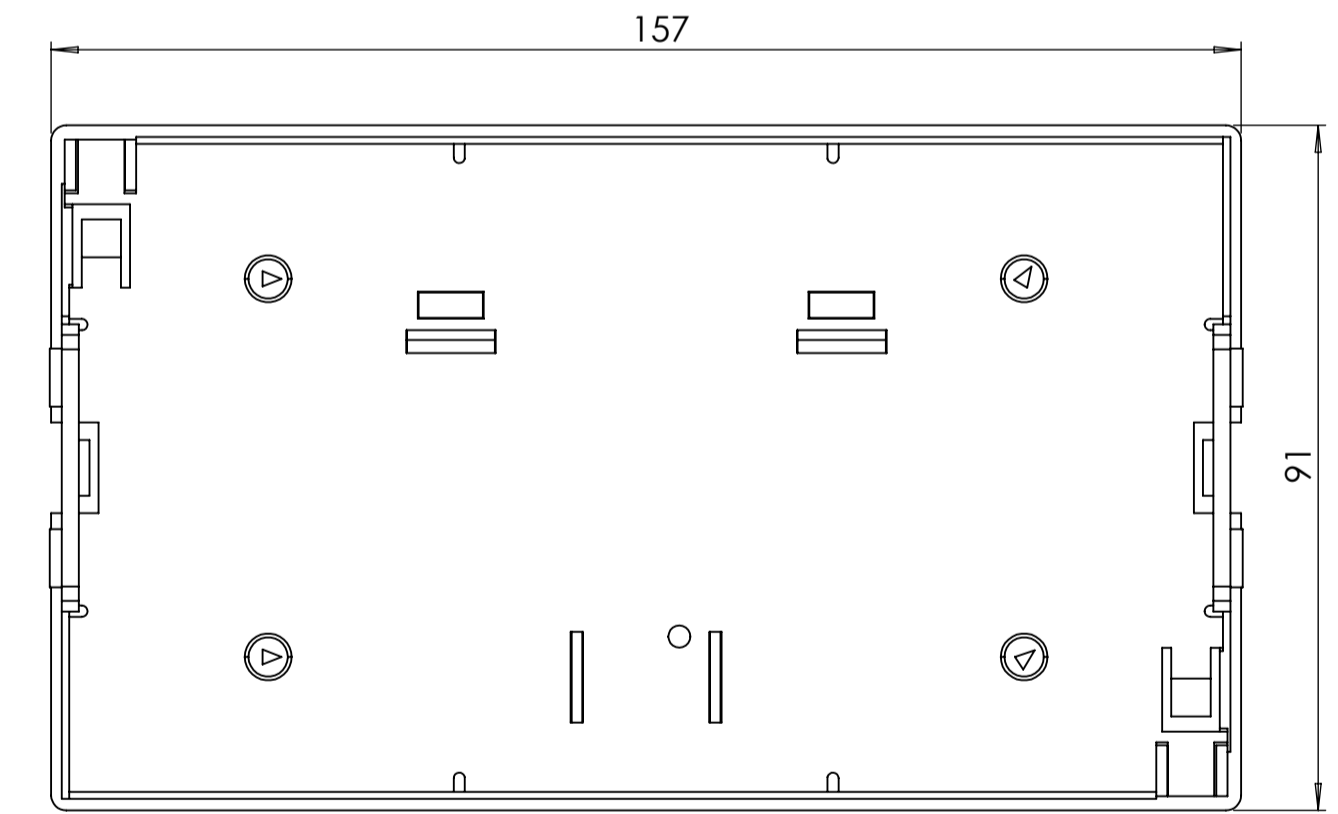
SURFACE-11



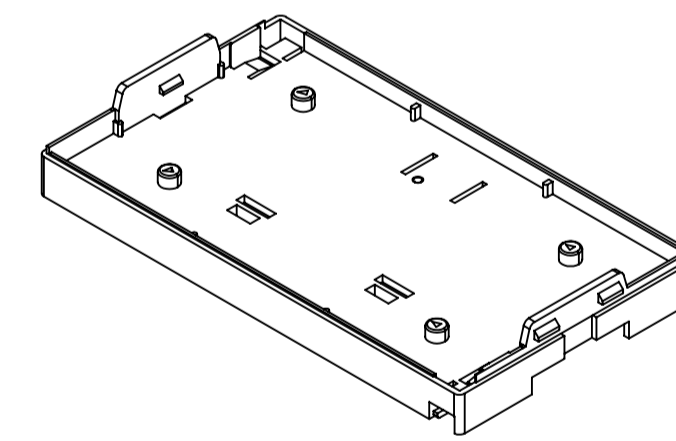
SURFACE-10



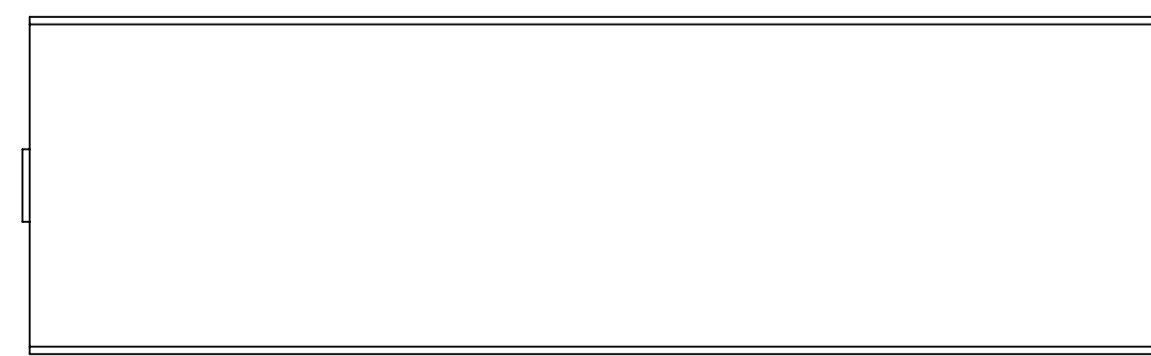
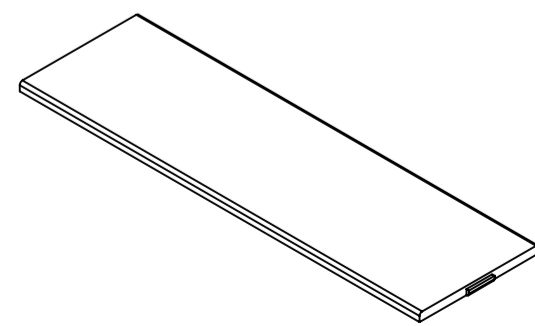
SURFACE-8



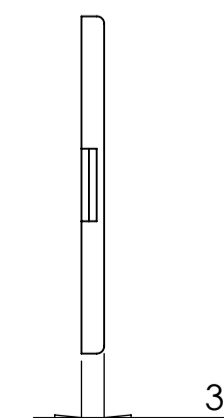
SURFACE-12 (INSIDE)



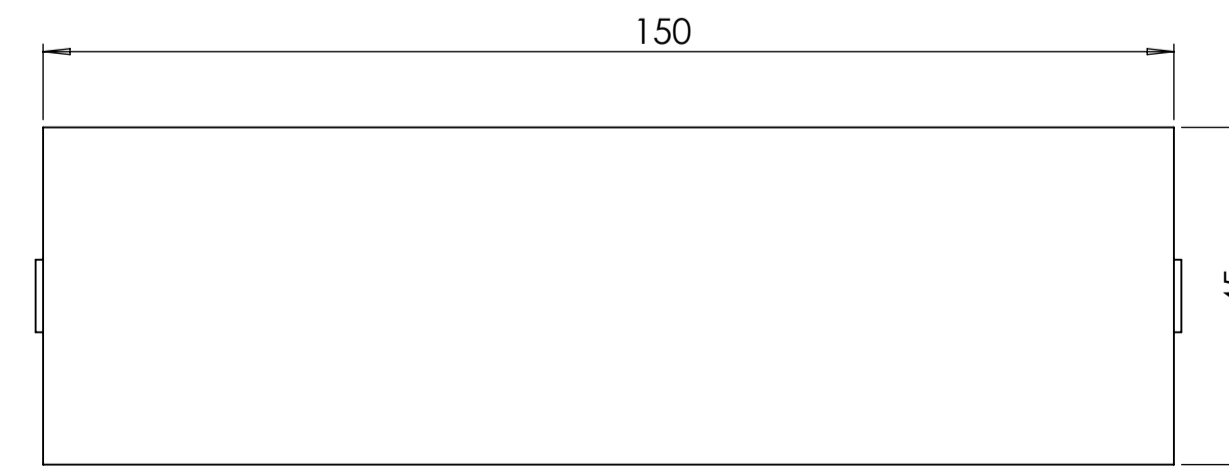
**PANEL: 2 SURFACE**



SURFACE-13

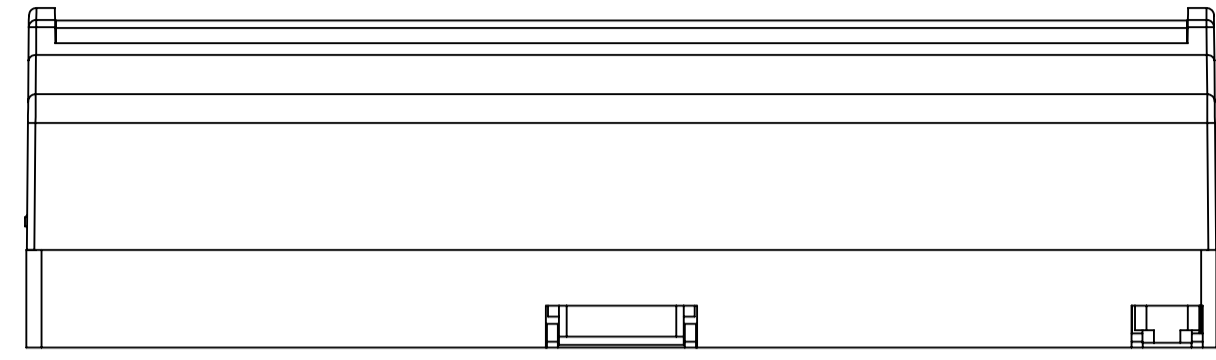


SURFACE-14 (INSIDE)

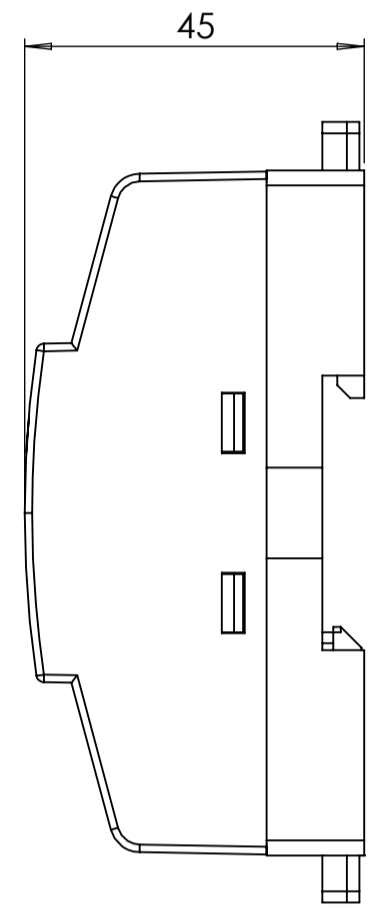


REV. NO.	DATE	REVISED BY	DESCRIPTION OF CHANGE
<b>ALTINKAYA</b> Electronic Enclosures & Components <a href="http://www.altinkaya.com">www.altinkaya.com</a>			
Customer Name:		Customer Ref.:	
Altinkaya Ref.:		Part Name: RT-509-D-0	
DRAWN	NAME	DATE	Drawn From:
CHECKED	Y. YESLOZ	17.09.2024	Material:
DIMENSIONAL TOLERANCES UNLESS OTHERWISE SPECIFIED:		Weight:	SCALE 1:1 UNIT : mm
(R&T) 148	±0.1	±0.1	±0.2
	±0.3	±0.5	±0.5
			Dimension(mm) m(medium)
			120-400mm
			30-120mm
			6-30mm
			3-6mm
			0.5-3mm
			1
			2
			3
			4
			5
			6
			7
			8
			9
			10
			11
			12
			13
			14
			15
			16

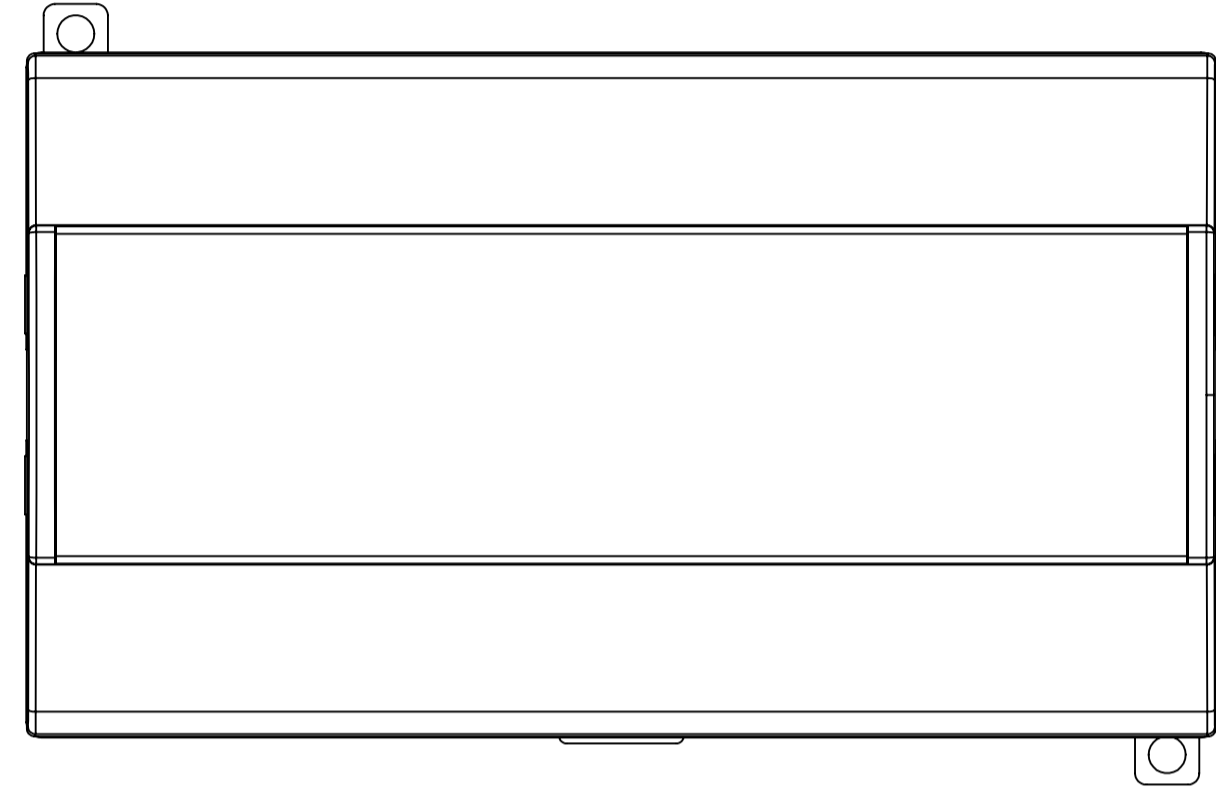
# RT-509 MACHINED TOGETHER



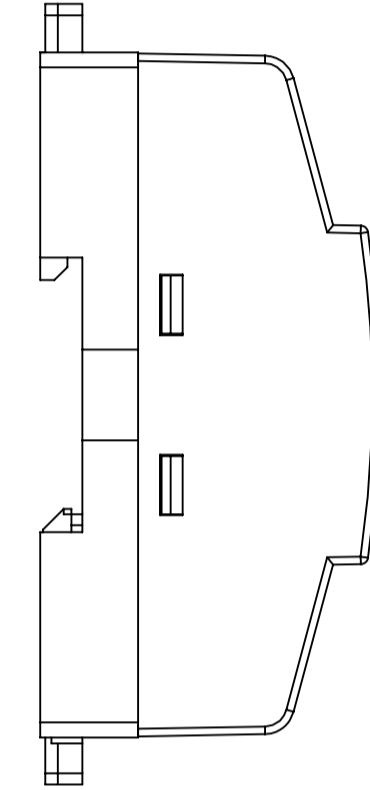
SURFACE-15



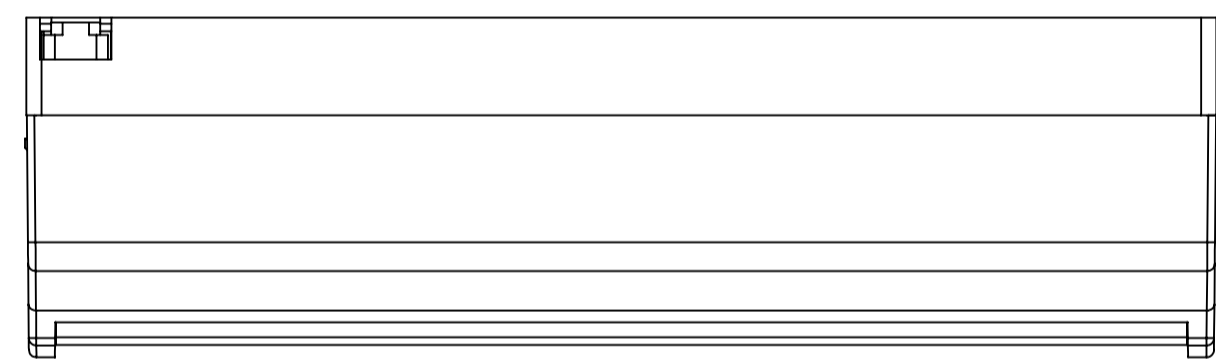
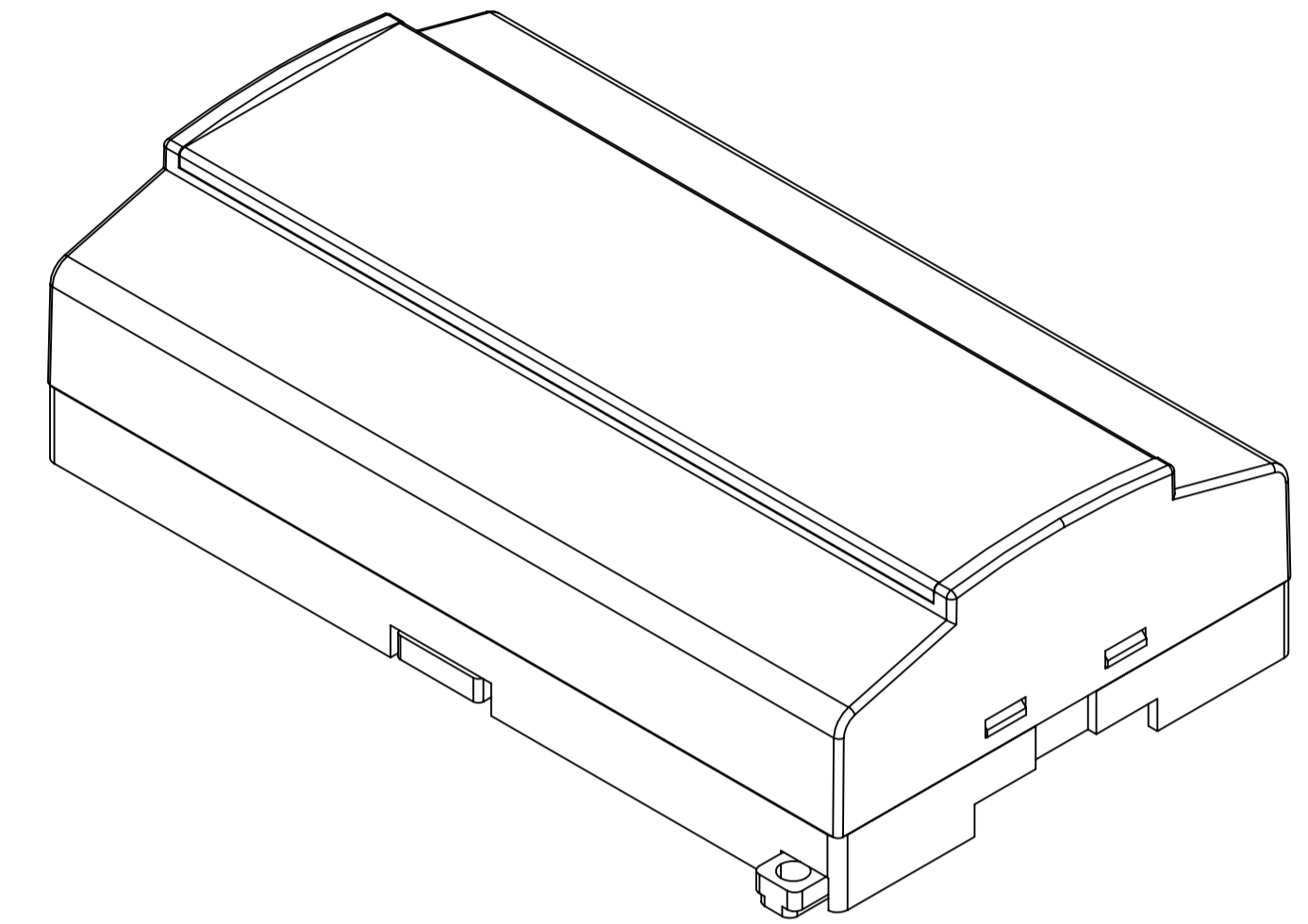
SURFACE-17



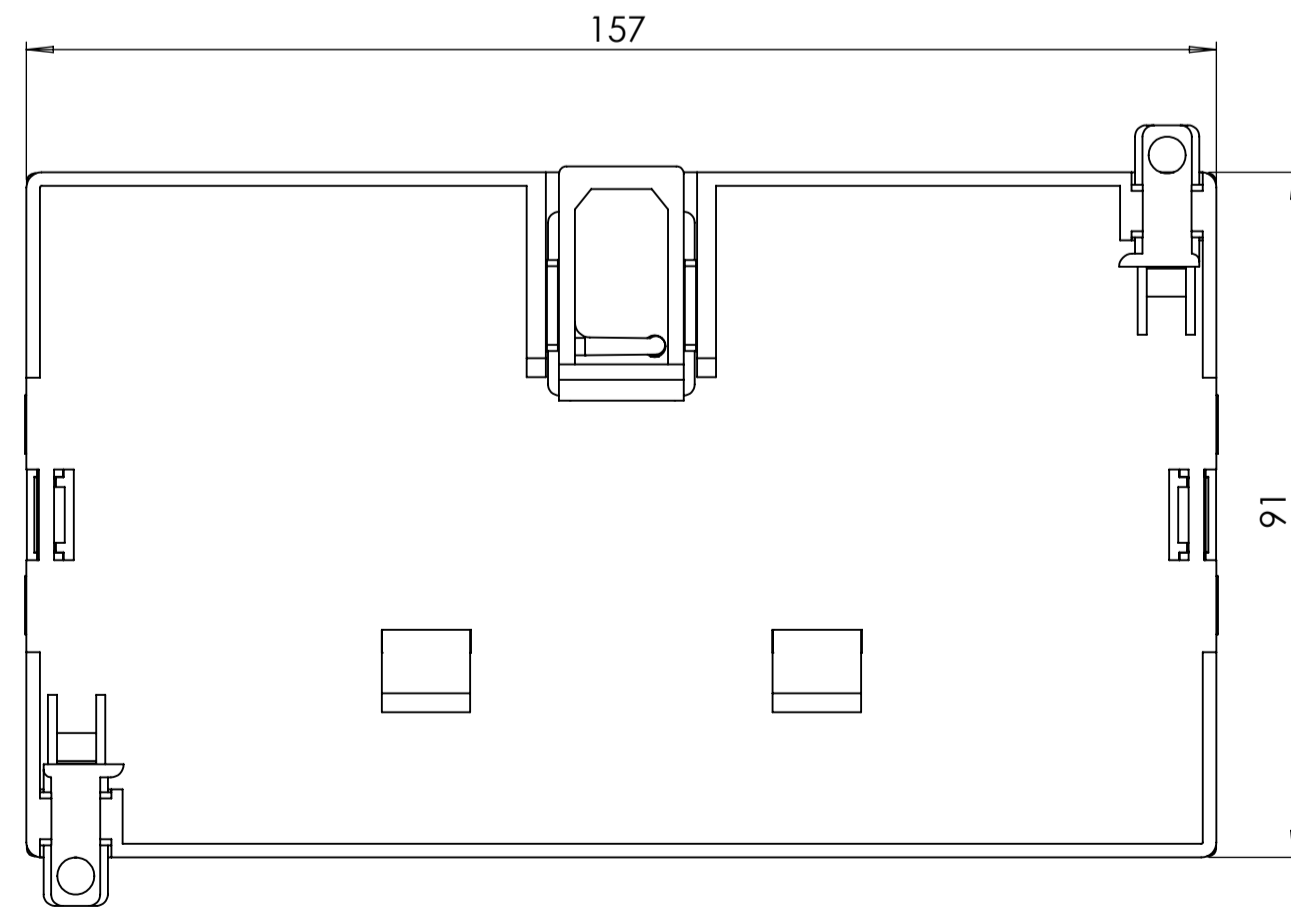
SURFACE-19



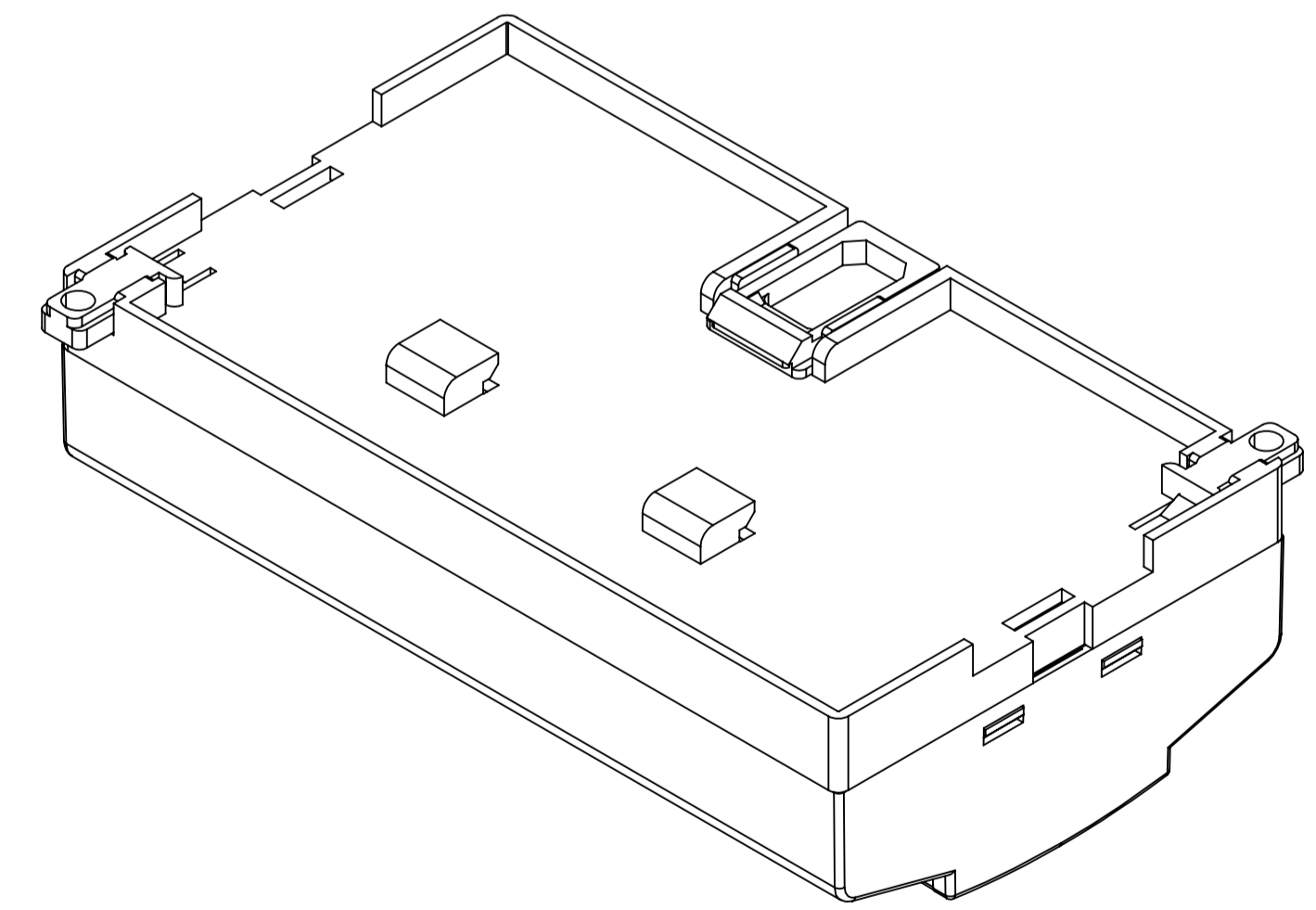
SURFACE-18



SURFACE-16



SURFACE-20



REV. NO.	DATE	REVISED BY	DESCRIPTION OF CHANGE
<b>ALTINKAYA</b> Electronic Enclosures & Components			<a href="http://www.altinkaya.com">www.altinkaya.com</a>
Customer Name:		Customer Ref.:	
Altinkaya Ref.:		Part Name: RT-509-0-0	
DRAWN	NAME	DATE	Drawn From:
CHECKED	Y. YESLOZ	17.09.2024	Material:
DIMENSIONAL TOLERANCES UNLESS OTHERWISE SPECIFIED:			SCALE 1:1 UNIT : mm
(R&T/148)	±0.1	±0.1	±0.2
	±0.1	±0.2	±0.3
		±0.5	±0.5
			Dimension(mm)
			30-120mm
			120-400mm
			m(medium)
			A1
			SHEET 2 OF 2