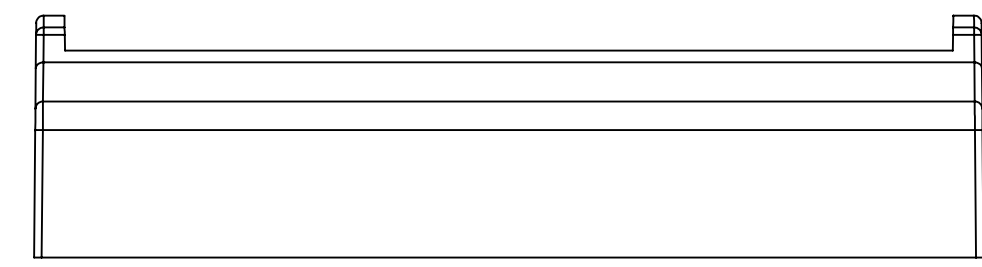
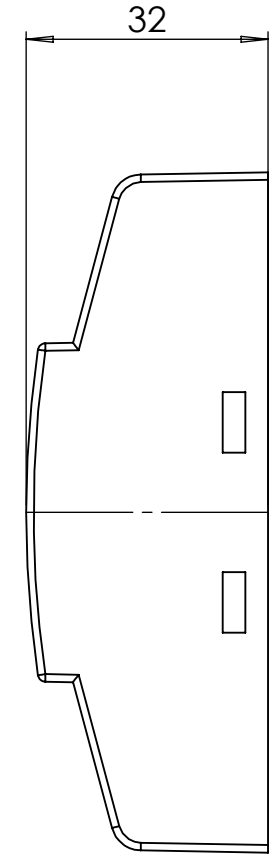


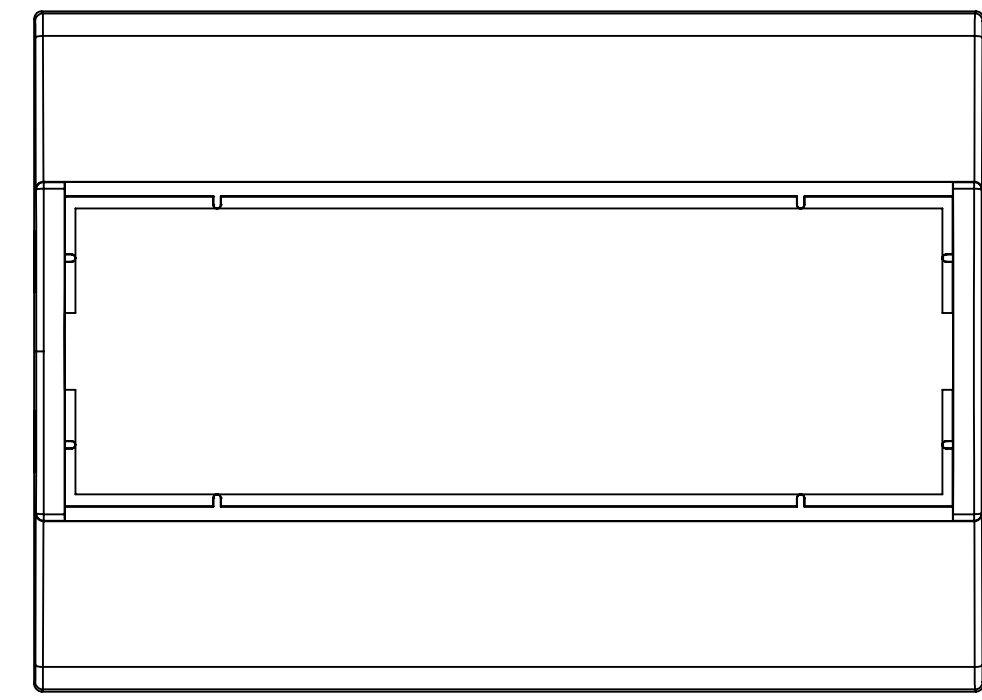
BASE: 6 SURFACE



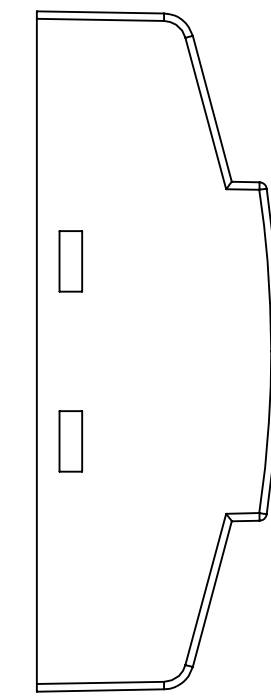
SURFACE-1



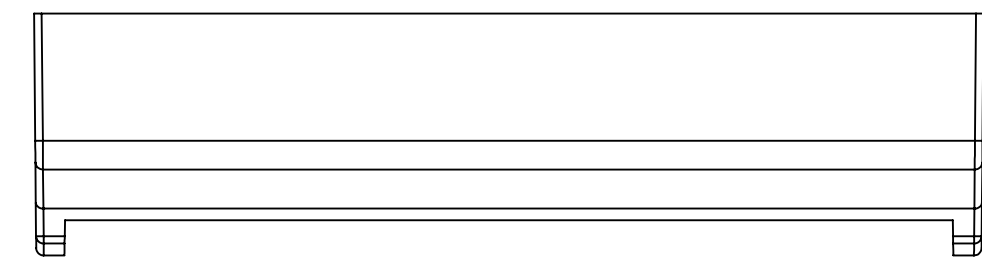
SURFACE-3



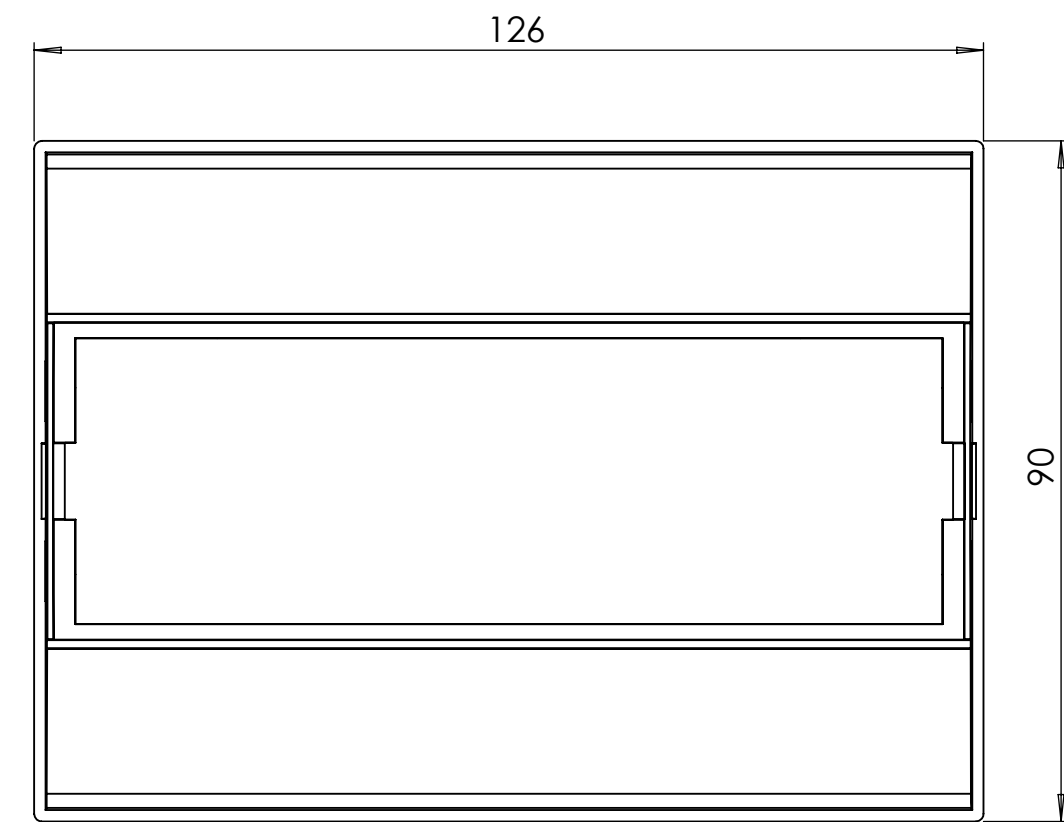
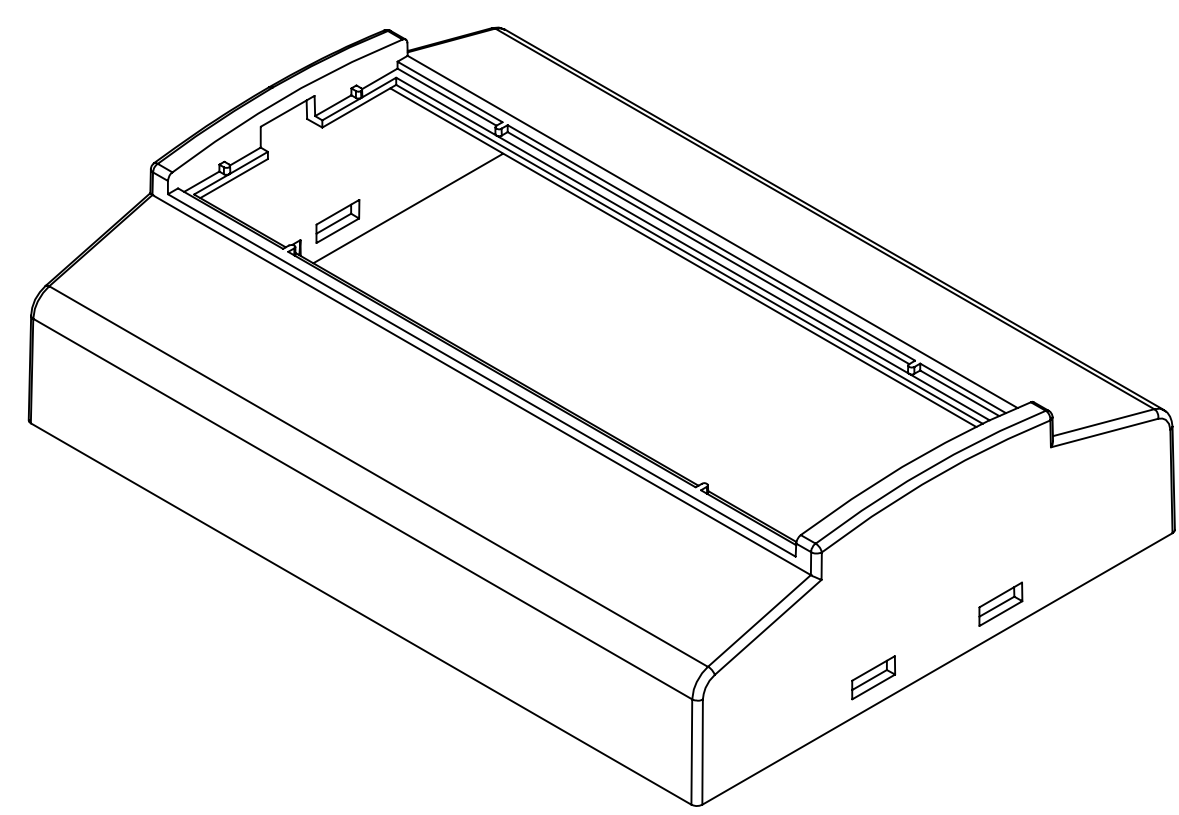
SURFACE-5



SURFACE-4

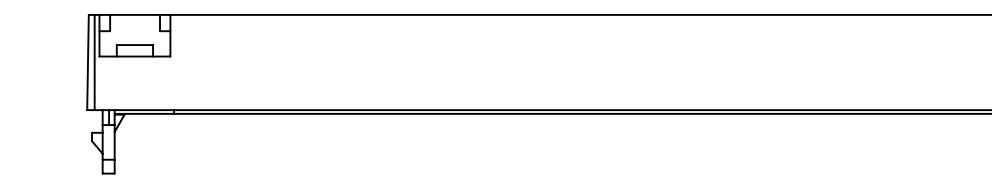


SURFACE-2

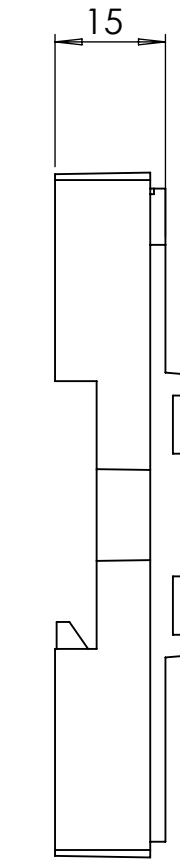


SURFACE-6 (INSIDE)

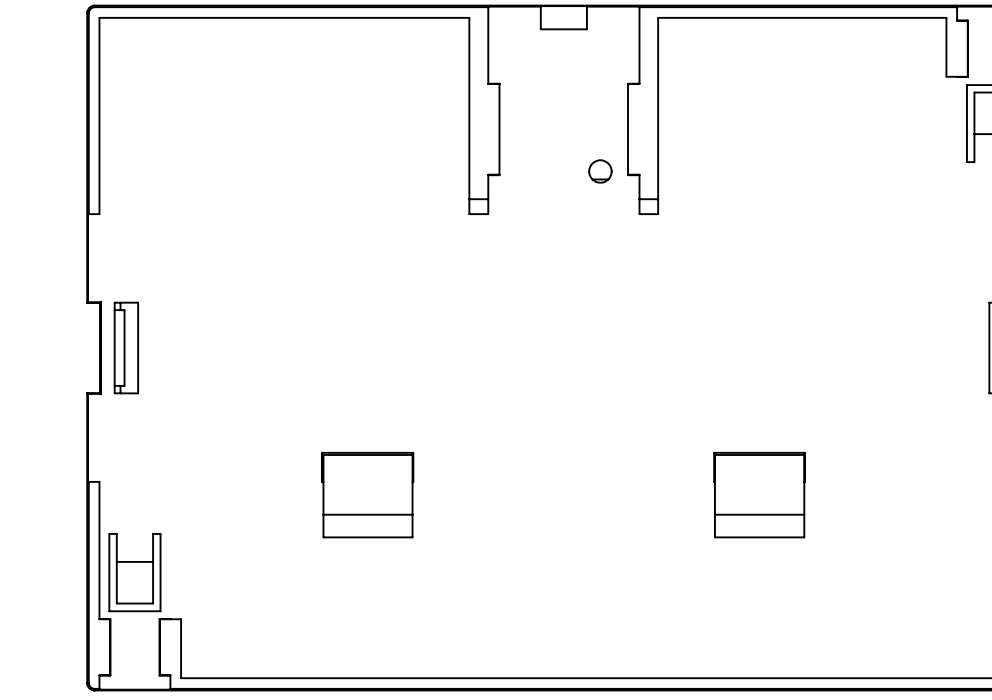
COVER: 6 SURFACE



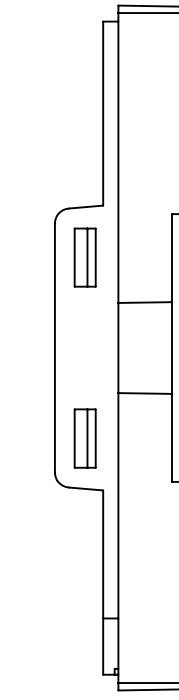
SURFACE-7



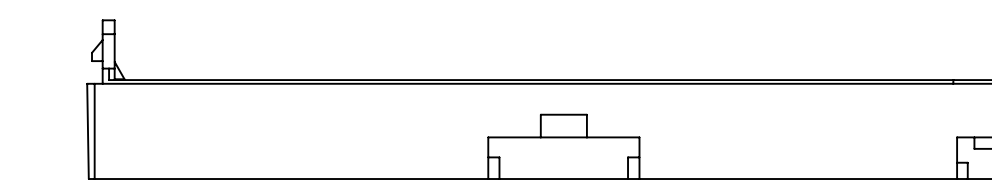
SURFACE-9



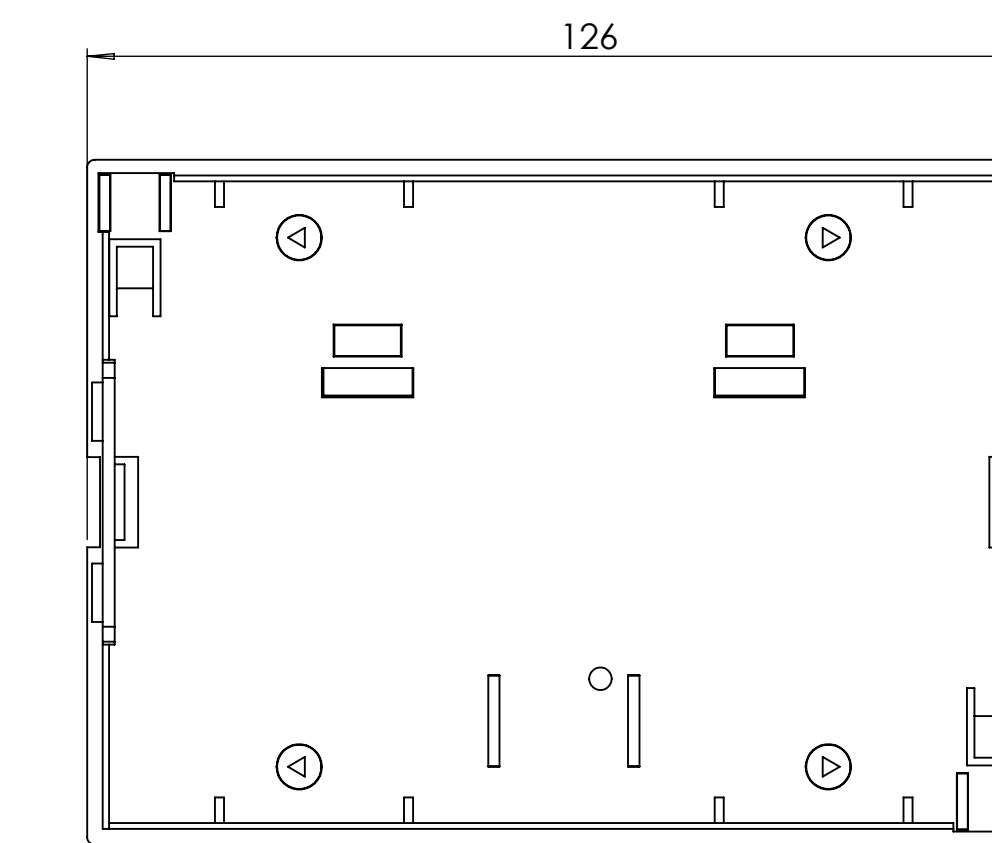
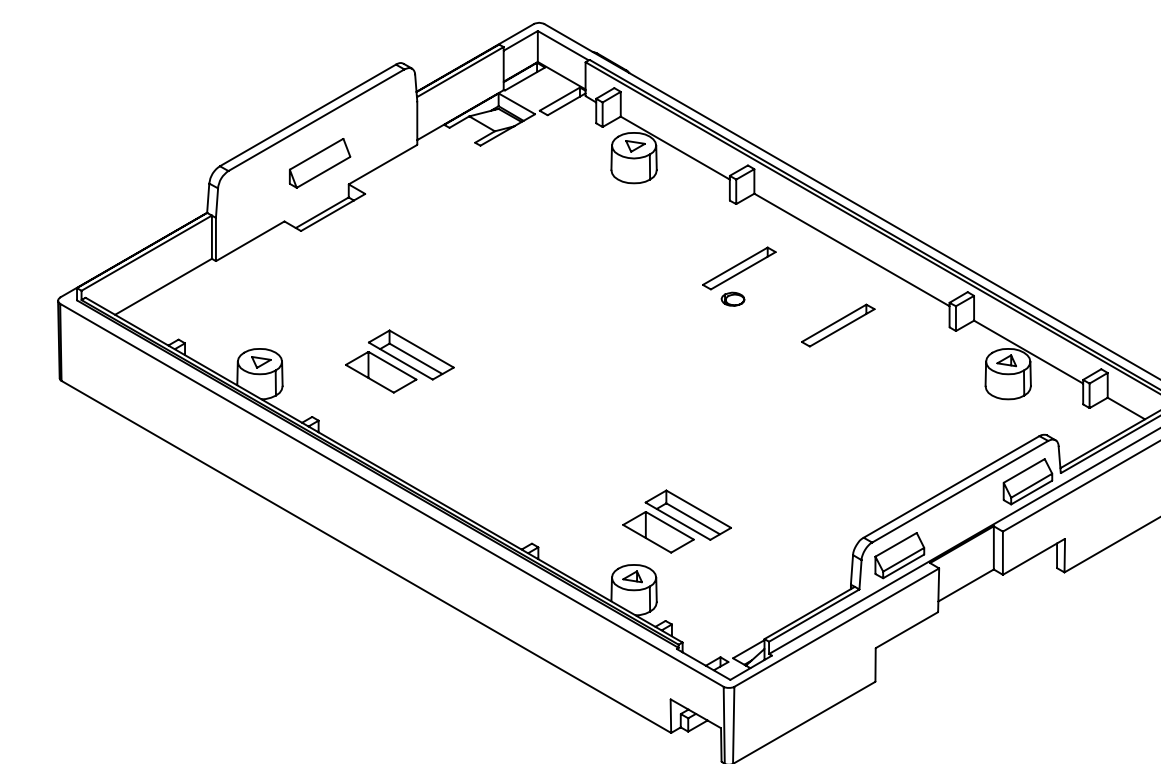
SURFACE-11



SURFACE-10

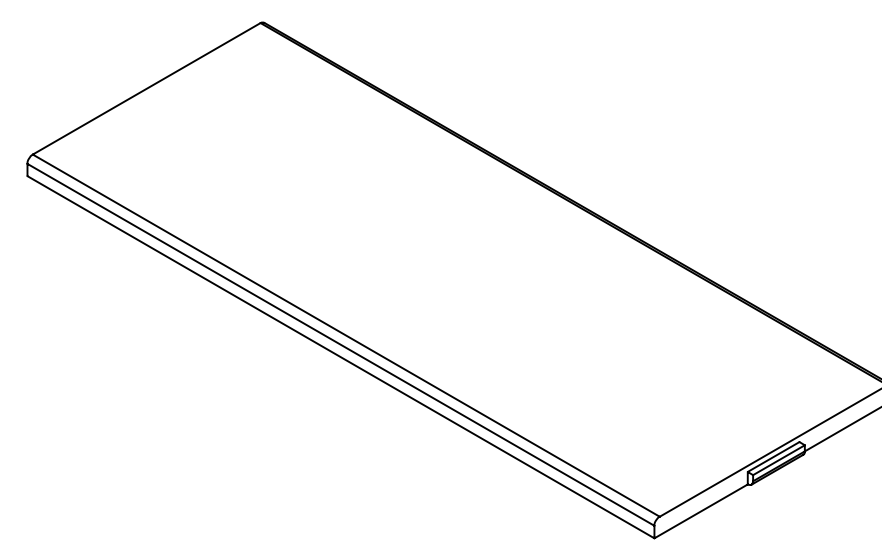


SURFACE-8

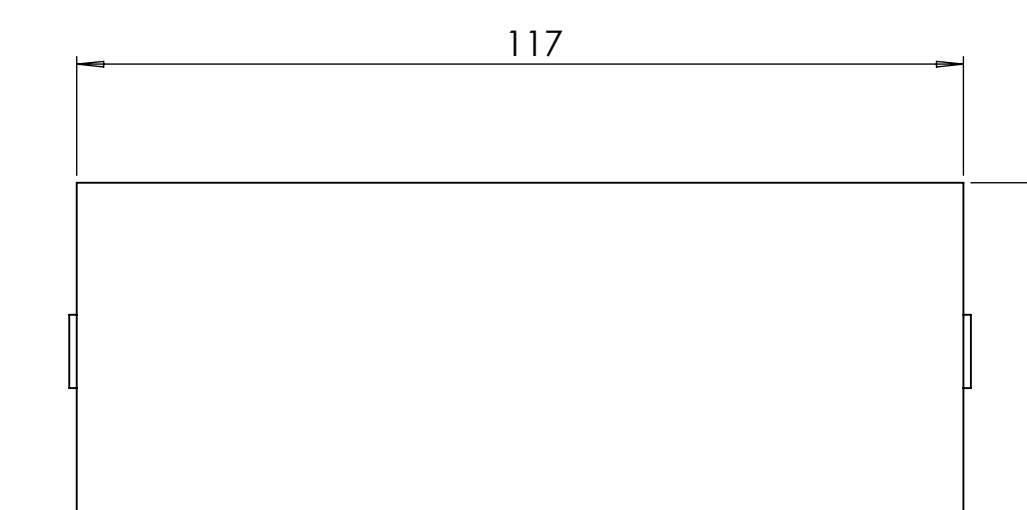
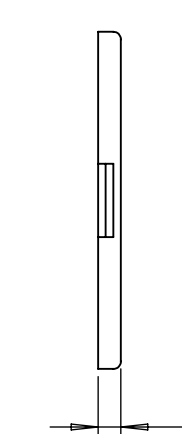


SURFACE-12 (INSIDE)

PANEL: 2 SURFACE



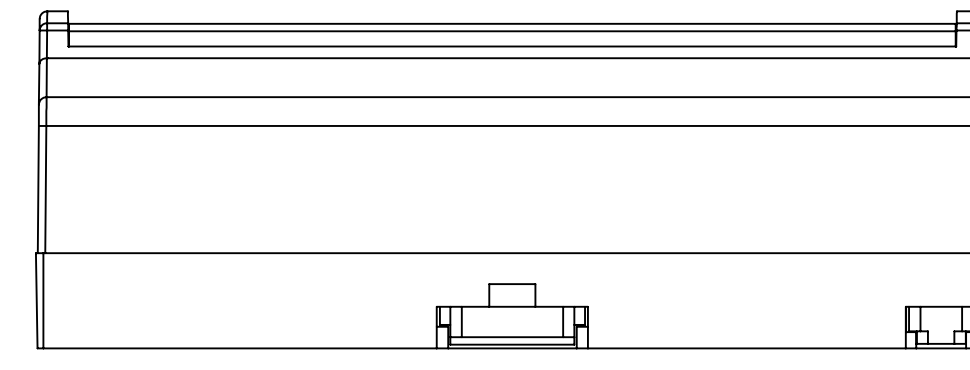
SURFACE-13



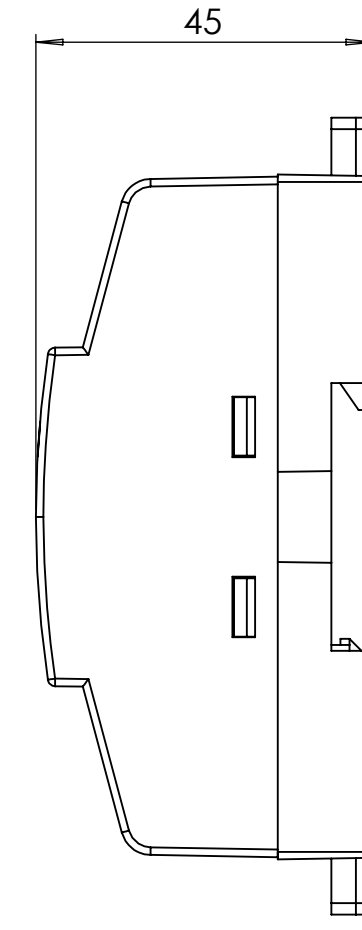
SURFACE-14 (INSIDE)

REV. NO	DATE	REVISED BY	DESCRIPTION OF CHANGE
 ALTINKAYA Electronic Enclosures & Components			www.altinkaya.com
Customer Name:		Customer Ref.:	
Altinkaya Ref.:		Part Name: RT-507	
DRAWN	NAME	DATE	Drawn From:
Y.YEL	S.YESILOZ	17.09.2024	Material:
CHECKED	Y.YEL	17.09.2024	Weight:
DIMENSIONAL TOLERANCES UNLESS OTHERWISE SPECIFIED (DIN7168)			
	0.5-3mm	3-6mm	6-30mm
	±0.1	±0.1	±0.2
			±0.3
			±0.5
			m (Medium)
SCALE 1:1			SHEET 1 OF 2
UNIT: mm			A0

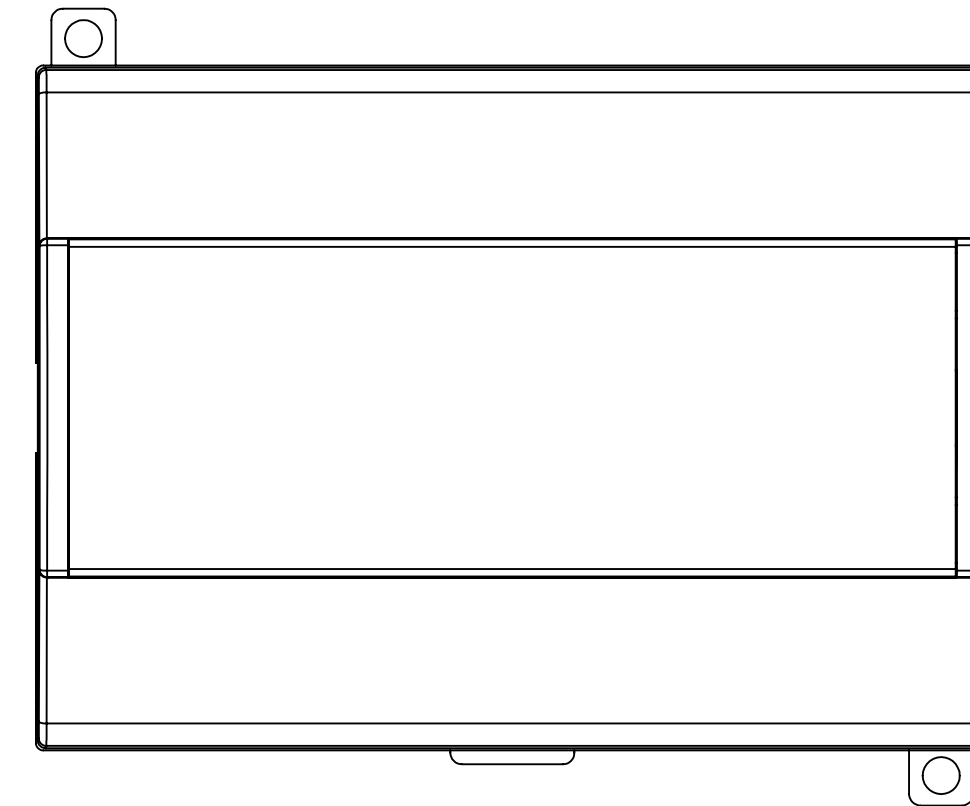
RT-507 MACHINED TOGETHER



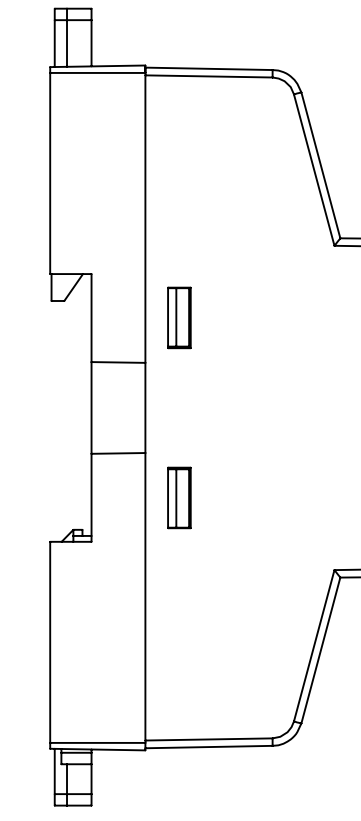
SURFACE-15



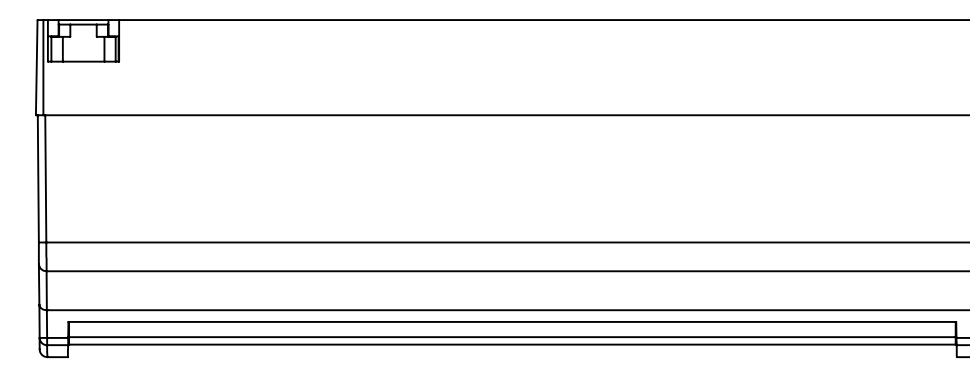
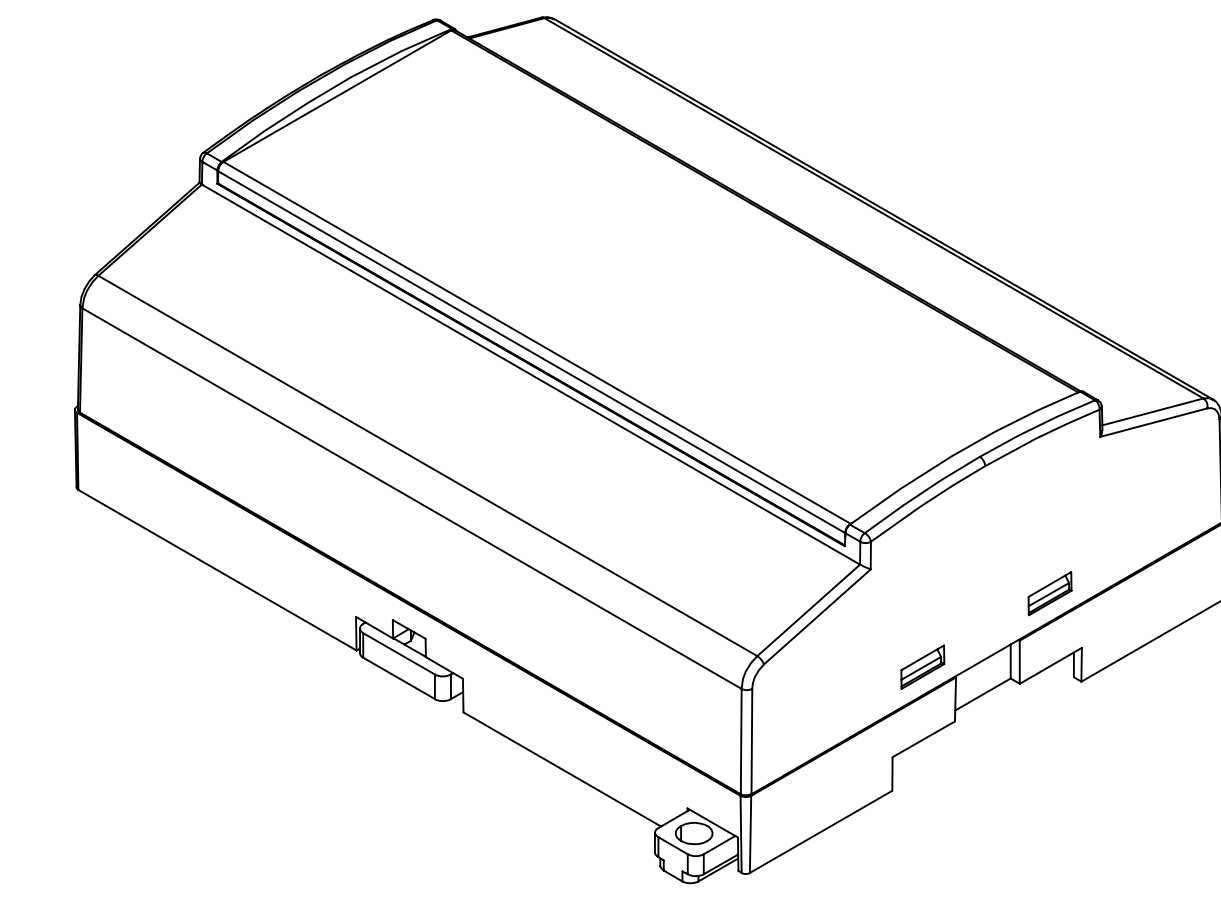
SURFACE-17



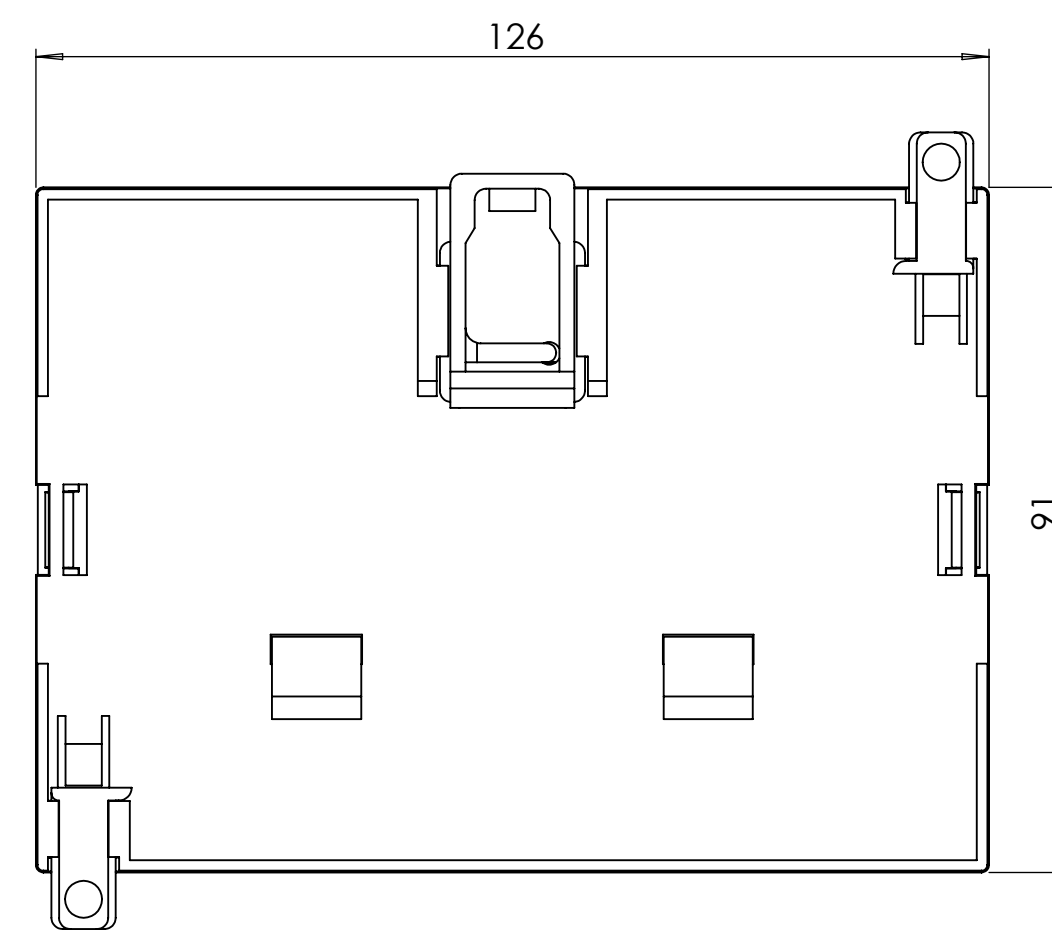
SURFACE-19



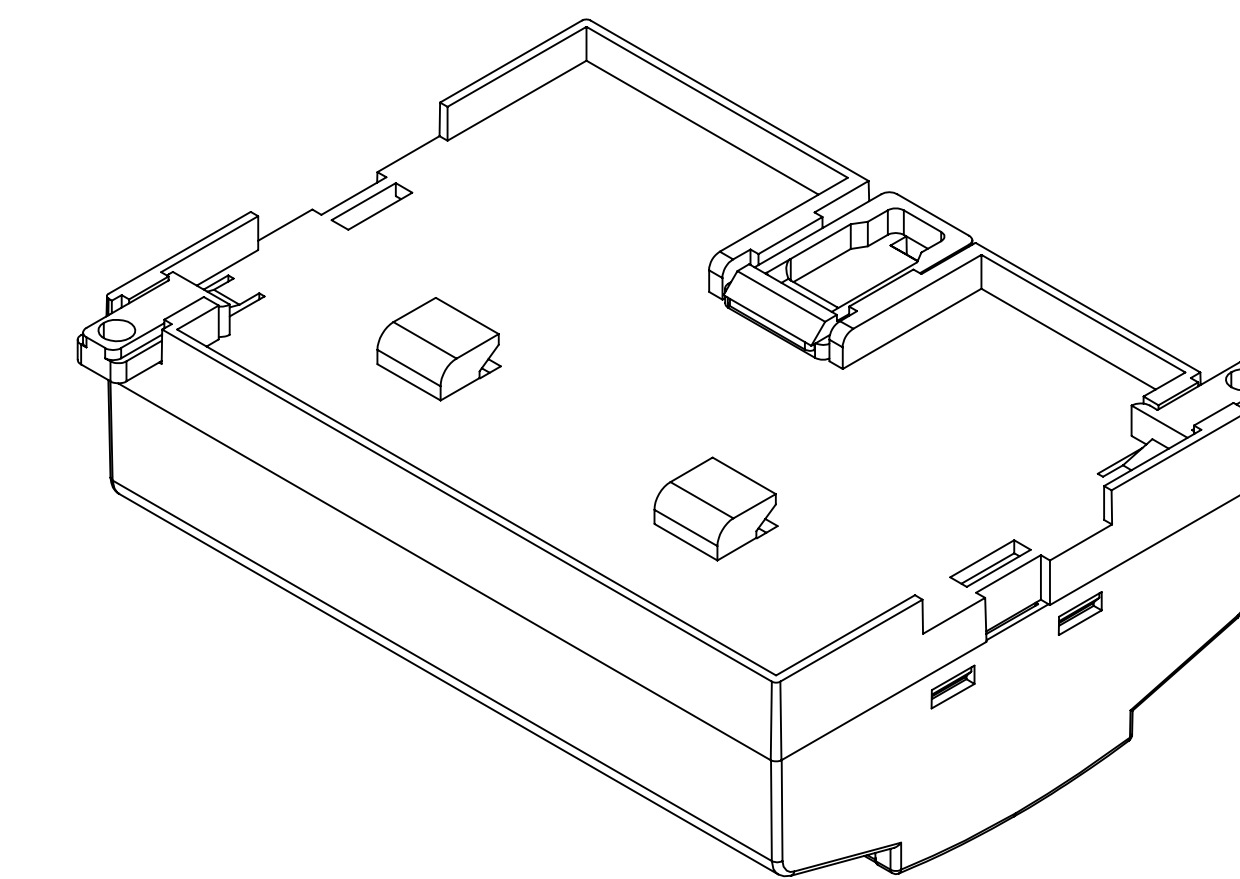
SURFACE-18



SURFACE-16



SURFACE-20



REV. NO	DATE	REVISED BY	DESCRIPTION OF CHANGE			
ALTINKAYA Electronic Enclosures & Components			www.altinkaya.com			
Customer Name:		Customer Ref. :				
Altinkaya Ref. :		Part Name: RT-507				
DRAWN	NAME	DATE	Drawn From :		SCALE 1:1	
CHECKED	Y.YEL	17.09.2024	Material :		SHEET 2 OF 2	
DIMENSIONAL TOLERANCES UNLESS OTHERWISE SPECIFIED (DIN7168)			0.5-3mm	3-6mm	6-30mm	
			±0.1	±0.1	±0.2	
			±0.3	±0.5	±0.5	
			Dimension (mm)		UNIT: mm	
			m (Medium)		A0	