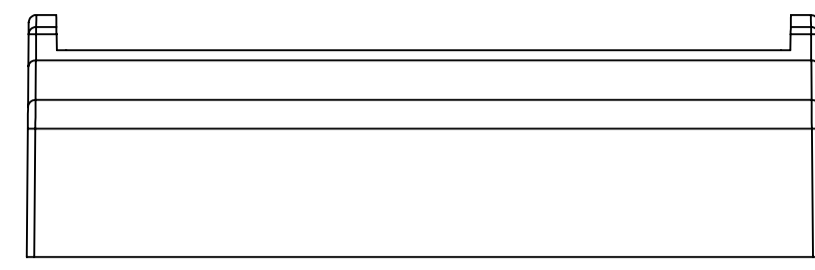
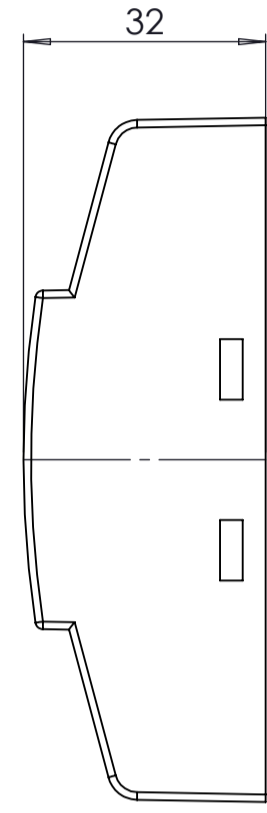


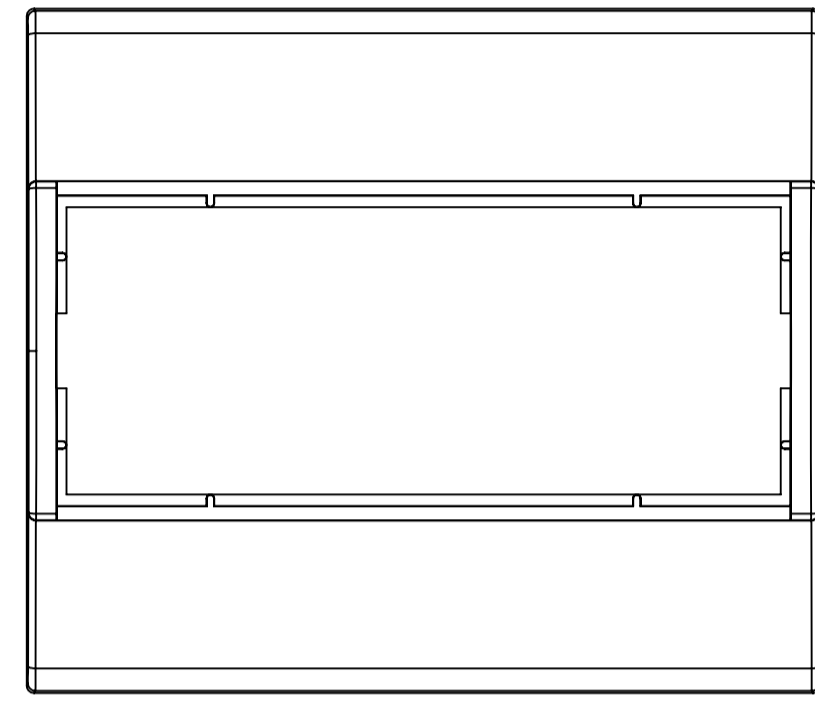
**BASE: 6 SURFACE**



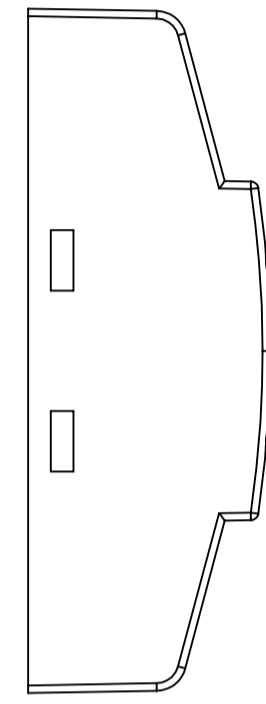
SURFACE-1



SURFACE-3



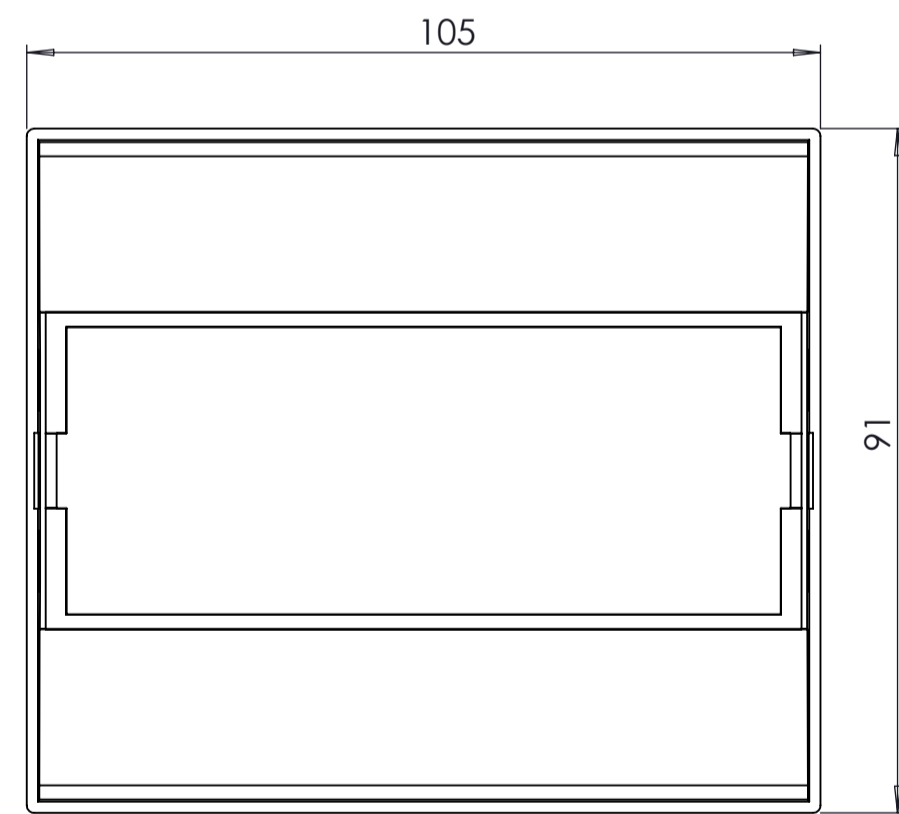
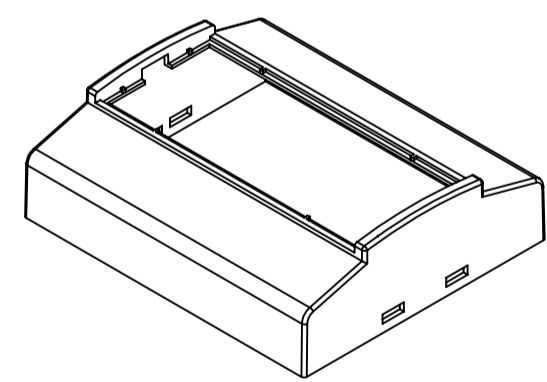
SURFACE-5



SURFACE-4



SURFACE-2

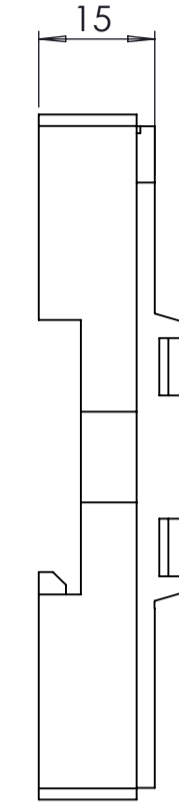


SURFACE-6 (INSIDE)

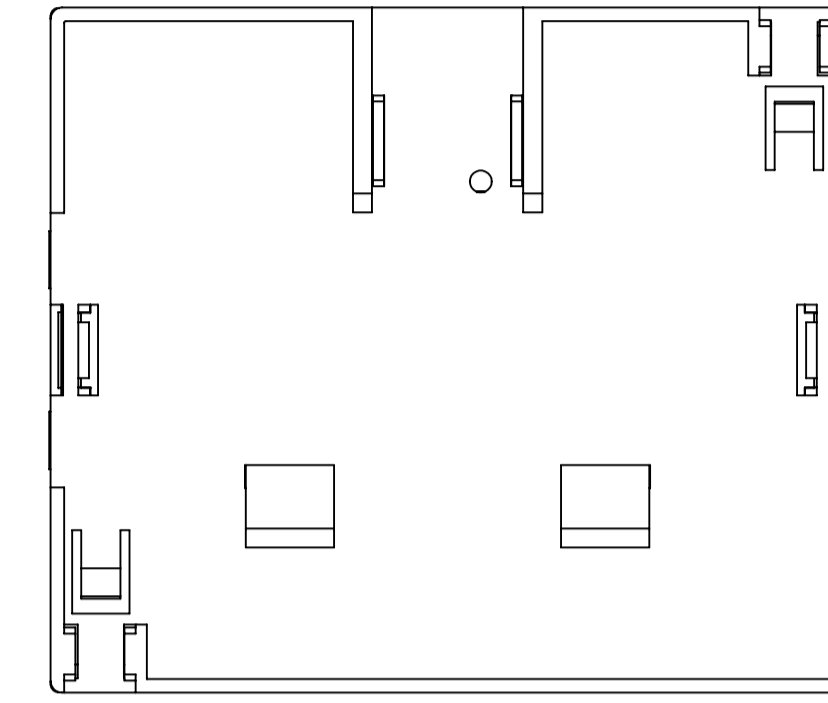
**COVER: 6 SURFACE**



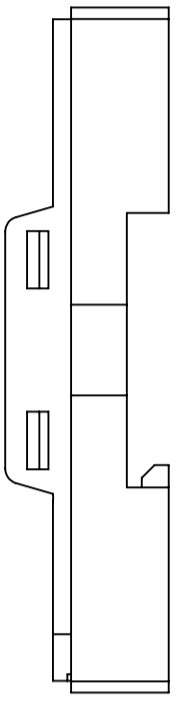
SURFACE-7



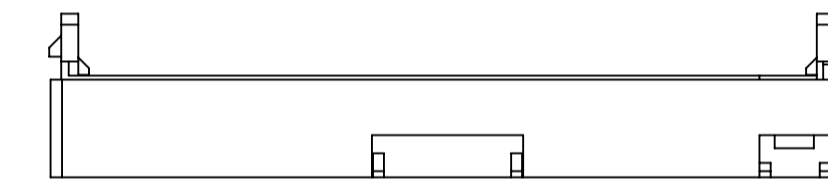
SURFACE-9



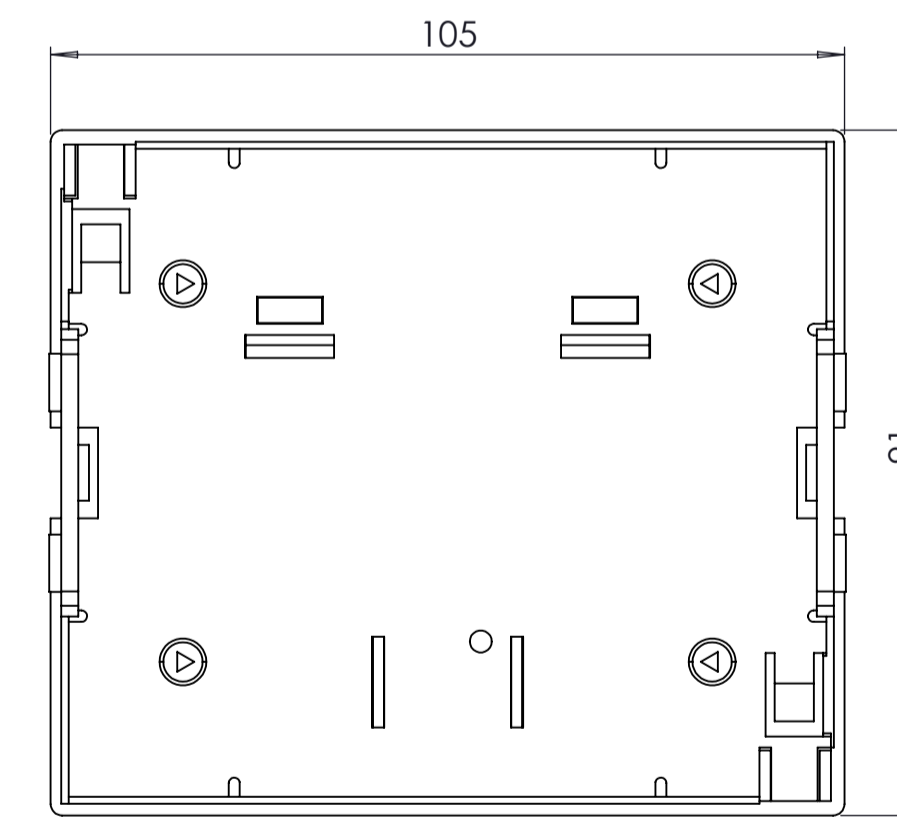
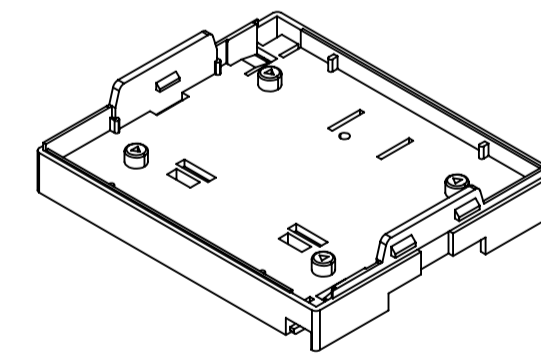
SURFACE-11



SURFACE-10

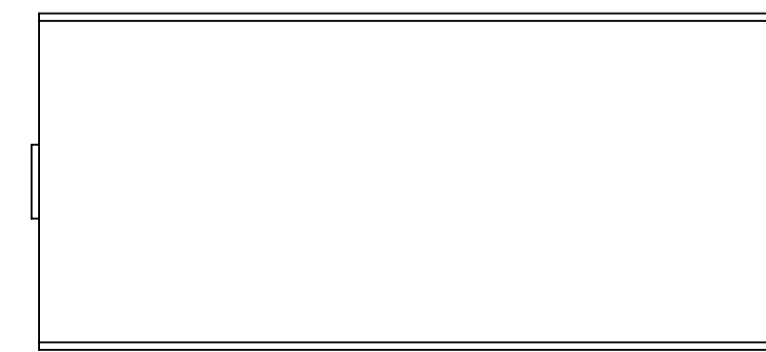
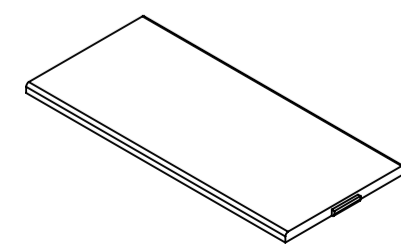


SURFACE-8

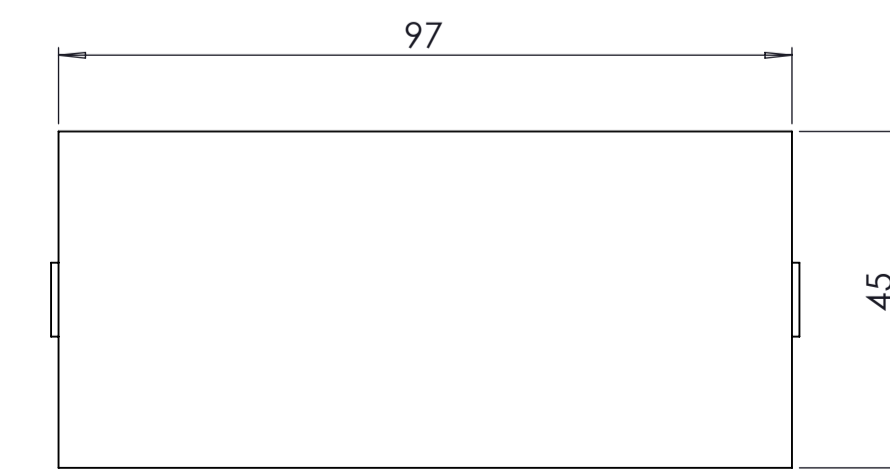
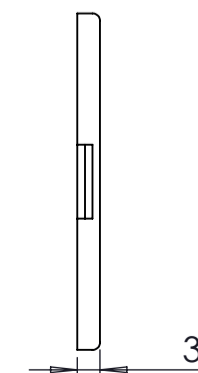


SURFACE-12 (INSIDE)

**PANEL: 2 SURFACE**



SURFACE-13



SURFACE-14 (INSIDE)

REV. NO.	DATE	REVISED BY	DESCRIPTION OF CHANGE
			www.altinkaya.com
Customer Name:		Customer Ref.:	
Altinkaya Ref.:		Part Name: RT-506	
DRAWN	NAME	DATE	Drawn From:
CHECKED	Y. YEL	16.09.2024	Material:
DIMENSIONAL TOLERANCES UNLESS OTHERWISE SPECIFIED:			SCALE 1:1 UNIT : mm
[R47148]	±0.1	±0.1	±0.2 ±0.3 ±0.5

