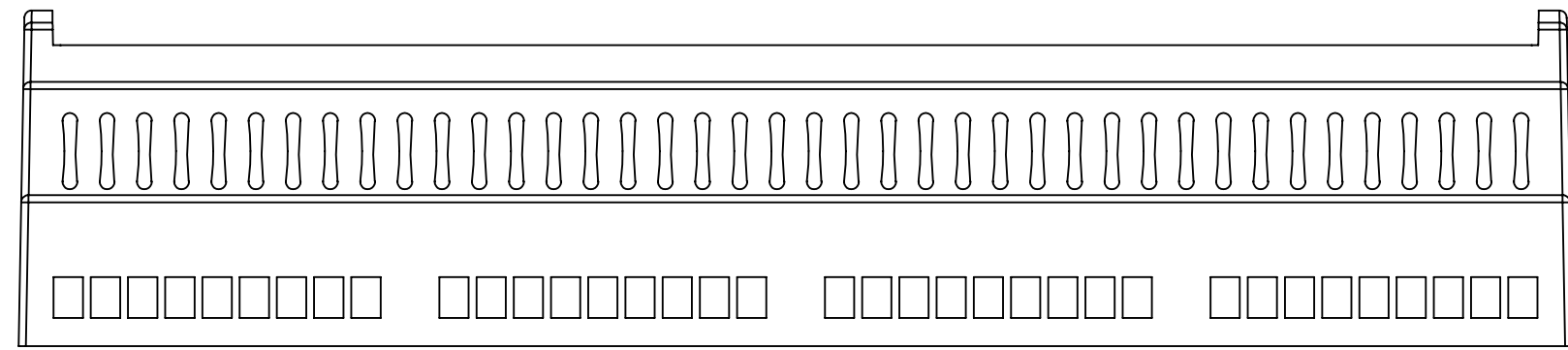
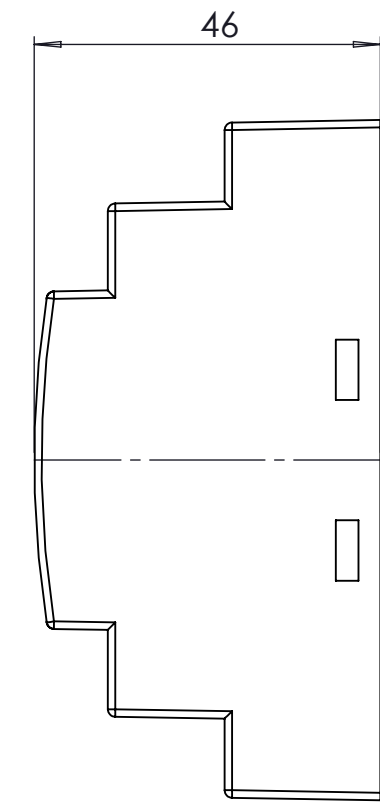


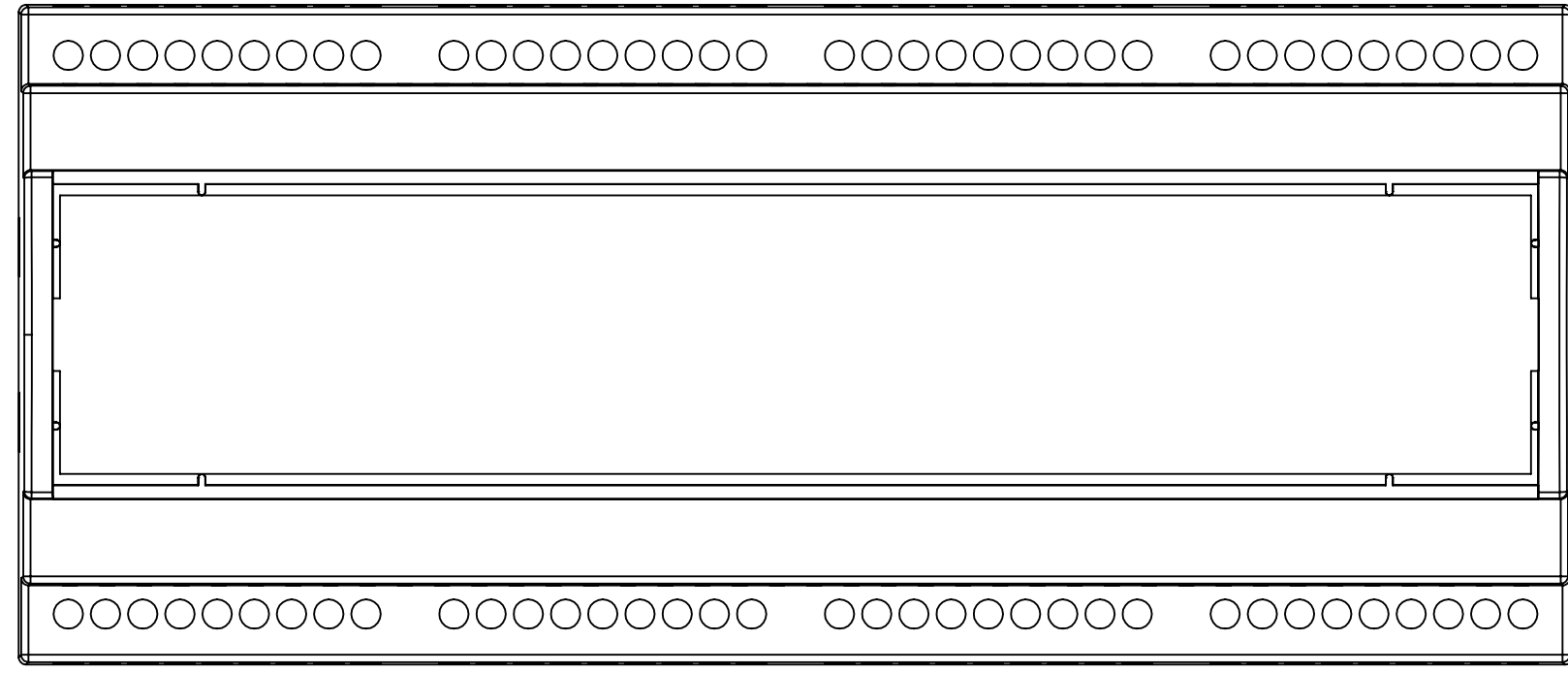
BASE: 6 SURFACE



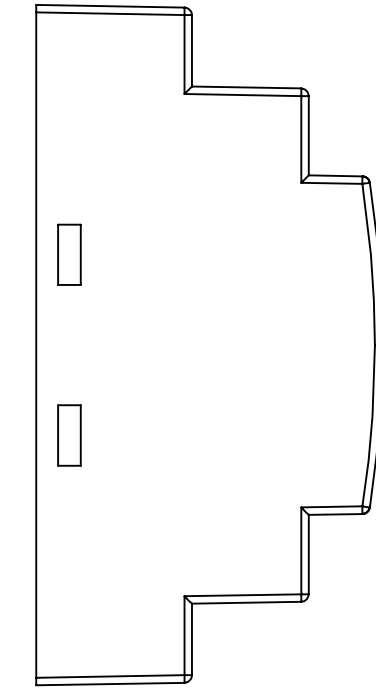
SURFACE-1



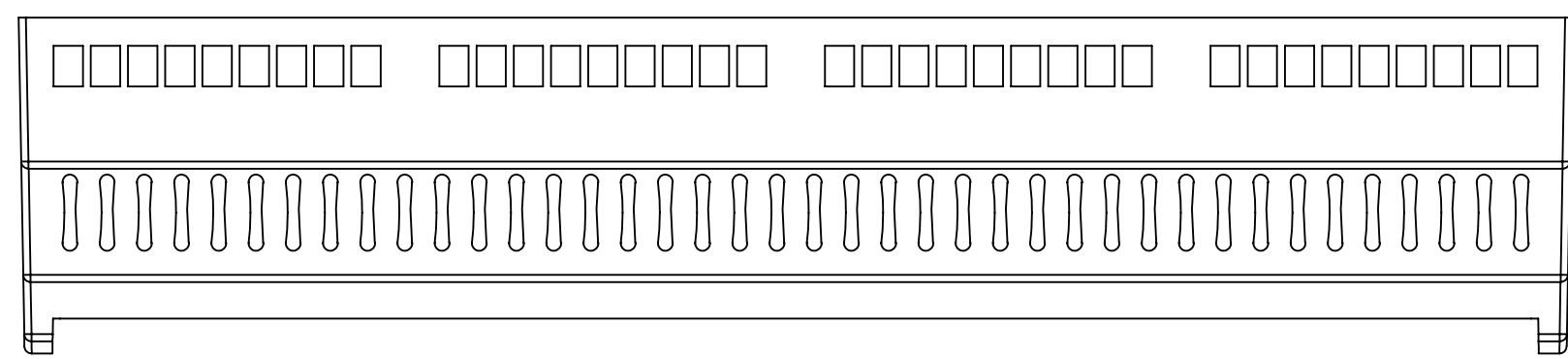
SURFACE-3



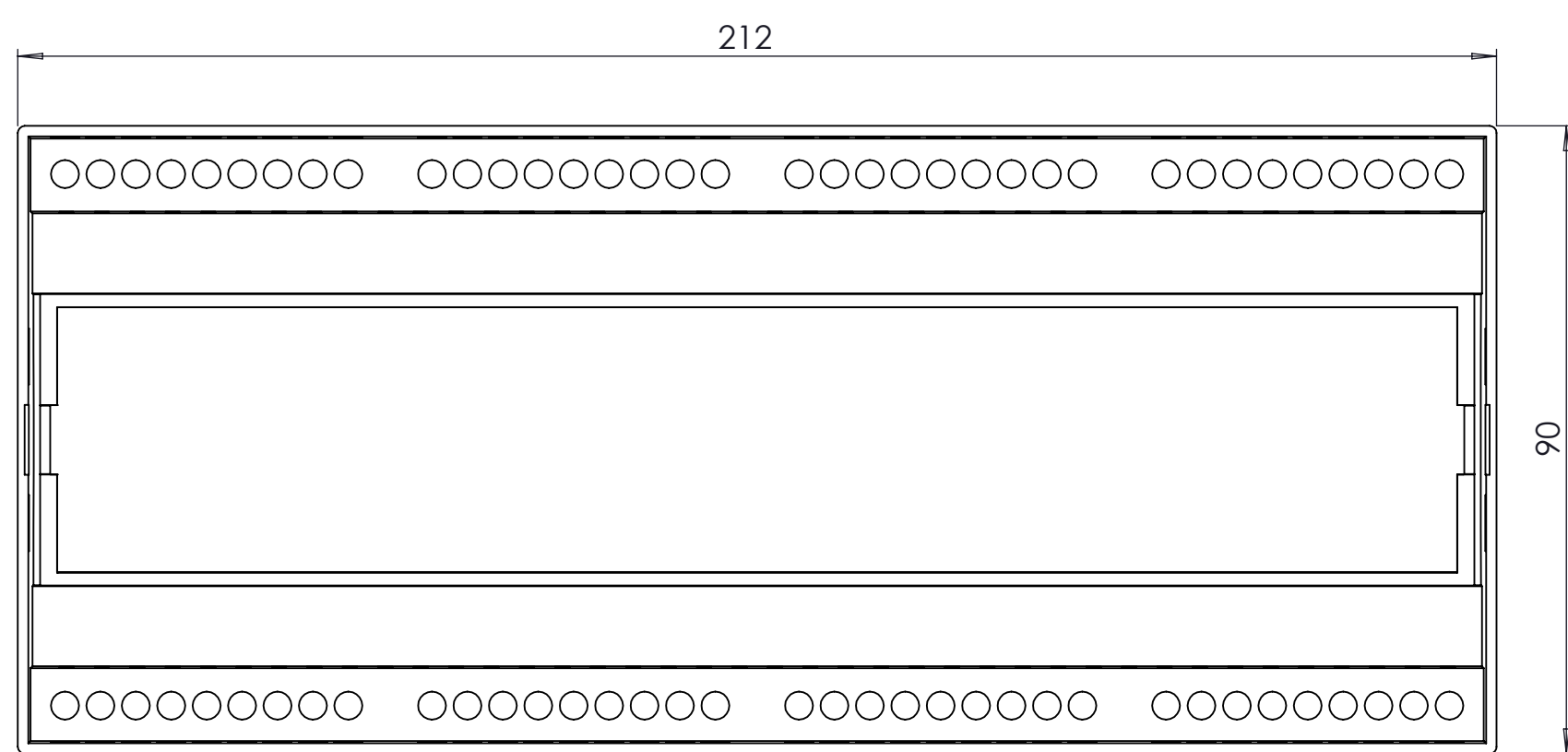
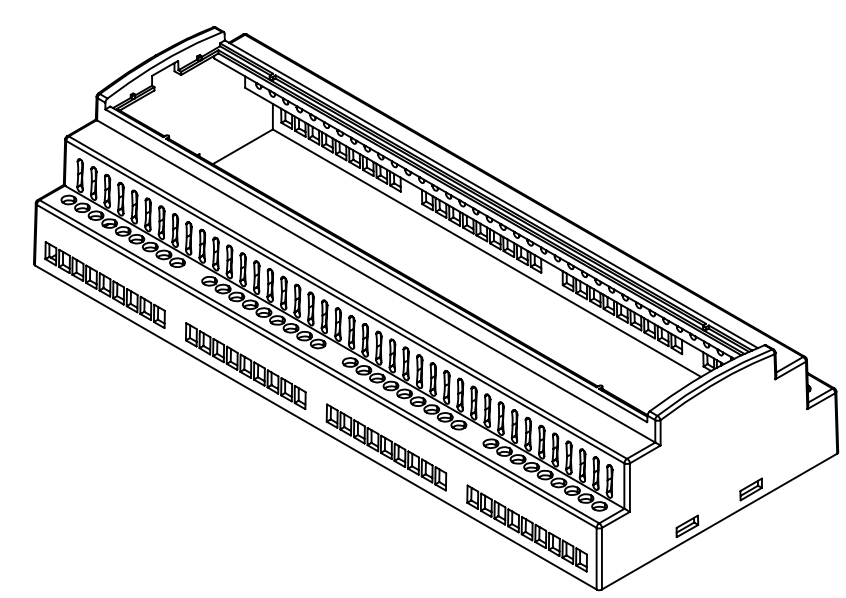
SURFACE-5



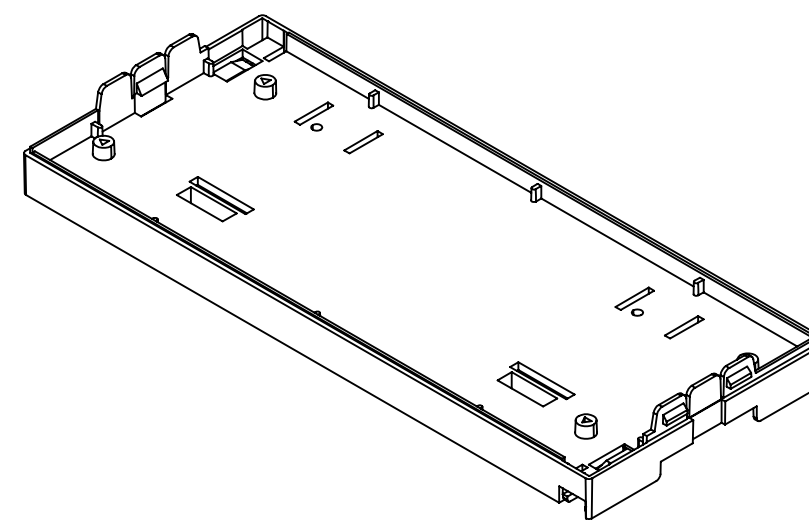
SURFACE-4



SURFACE-2



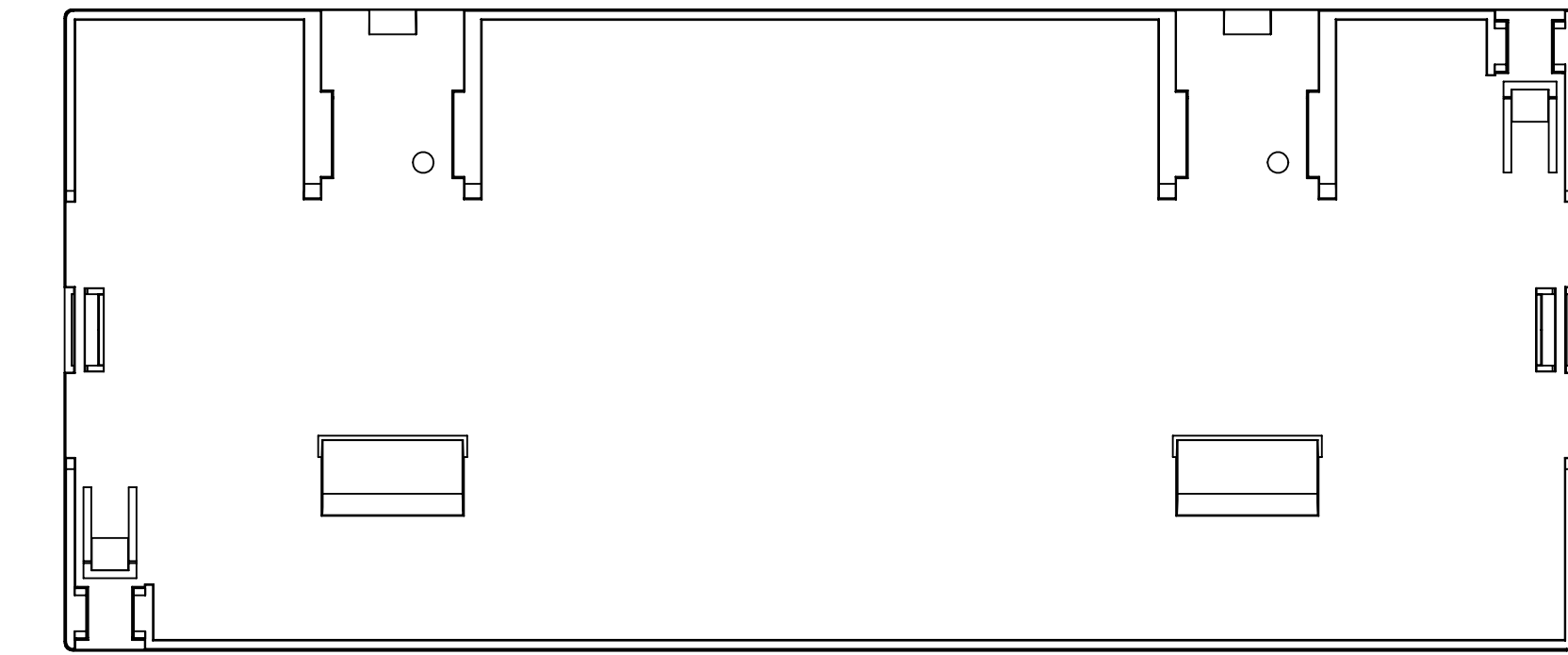
SURFACE-6 (INSIDE)



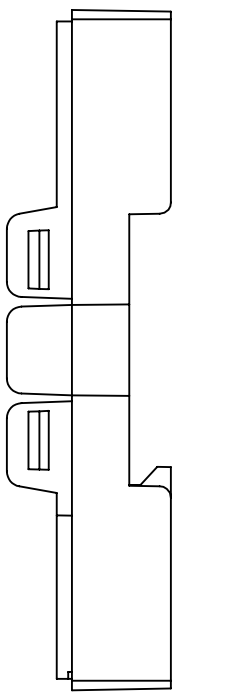
SURFACE-9



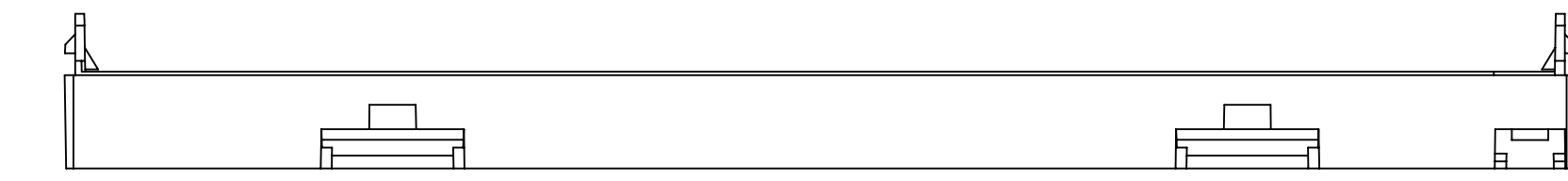
SURFACE-7



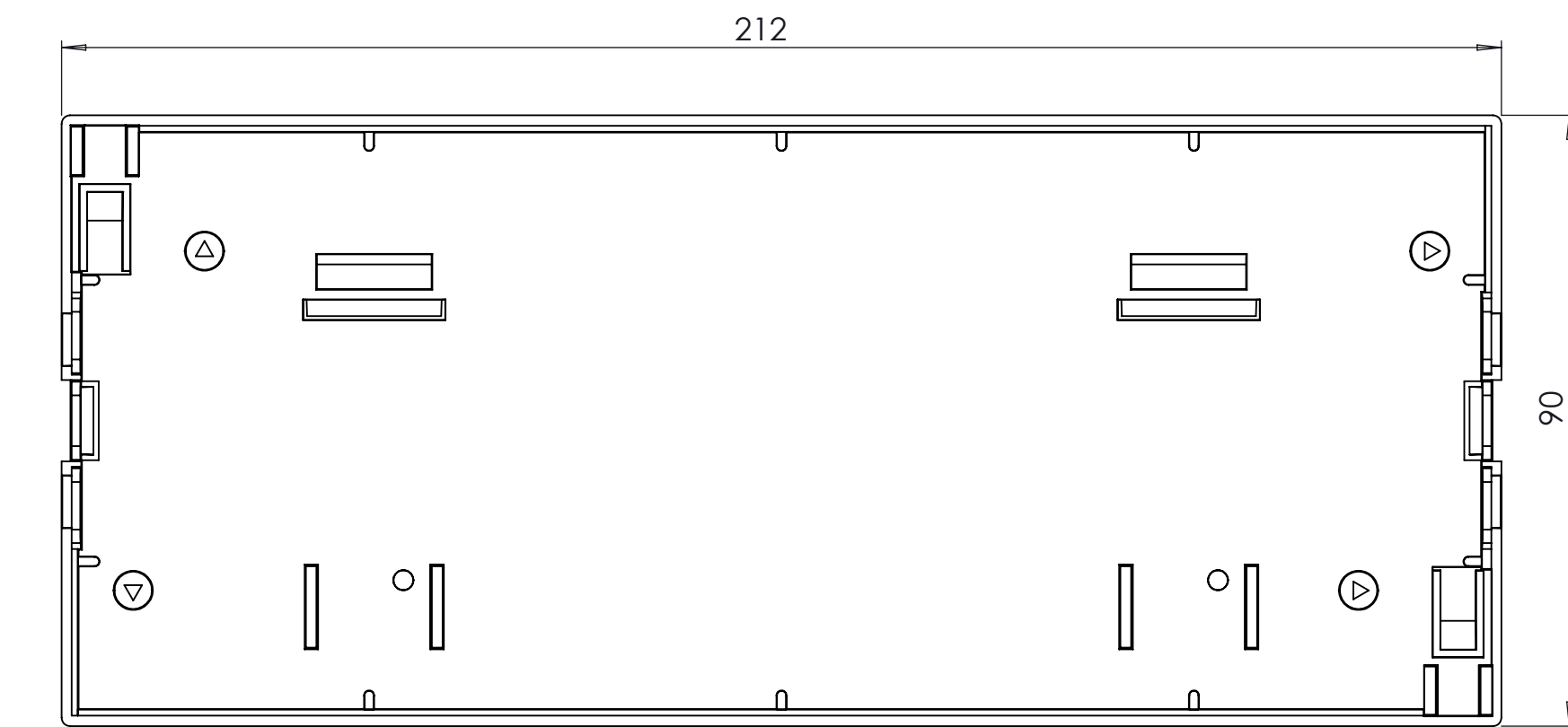
SURFACE-11



SURFACE-10

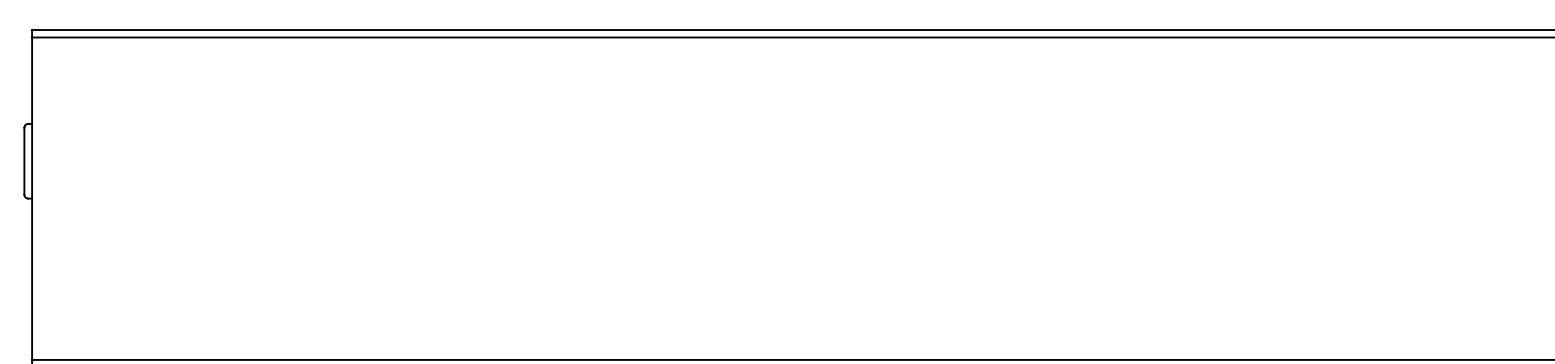
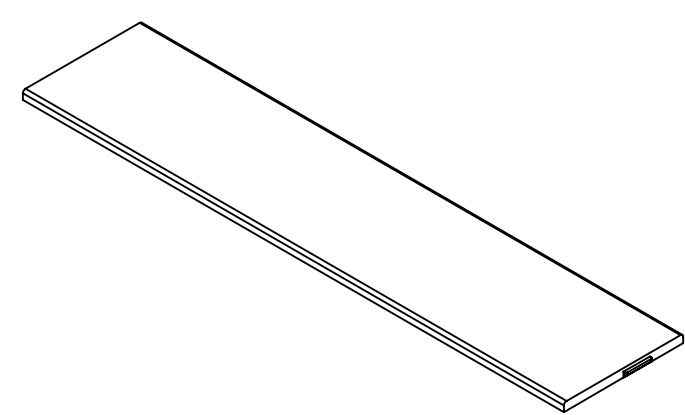


SURFACE-8

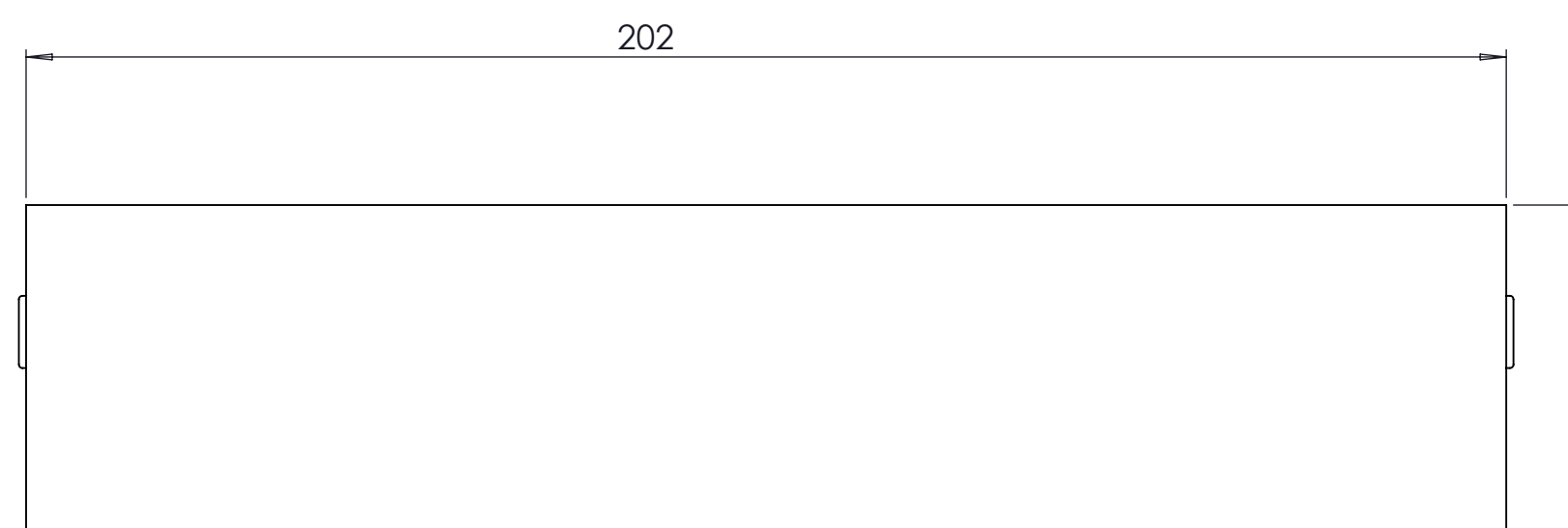
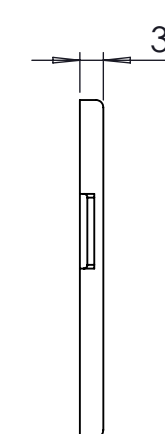


SURFACE-12 (INSIDE)

PANEL: 2 SURFACE



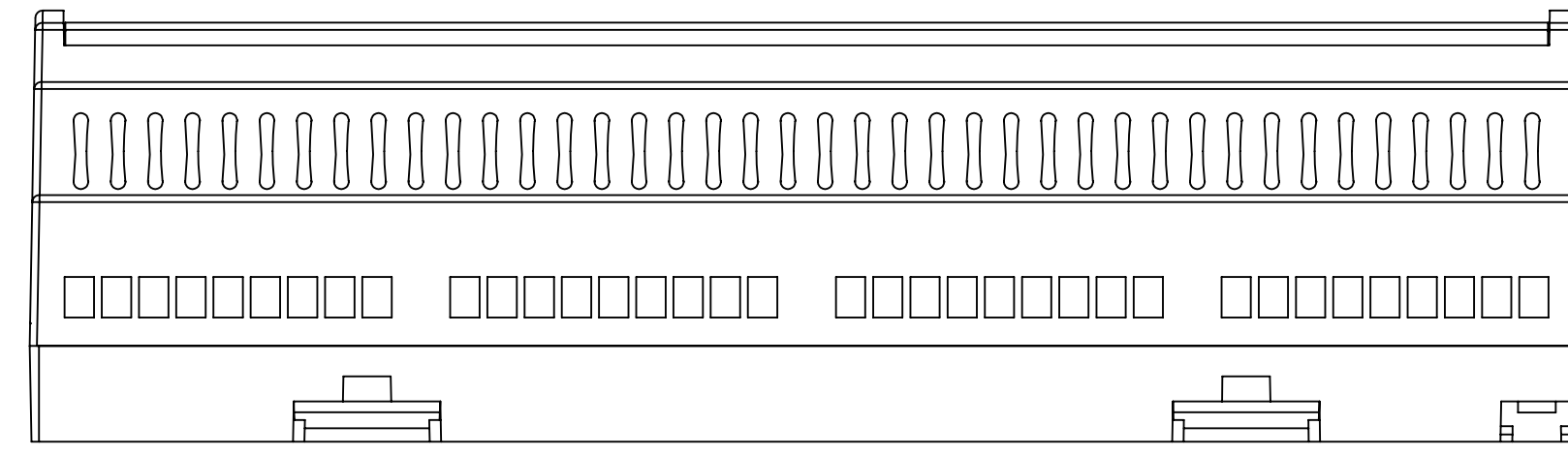
SURFACE-13



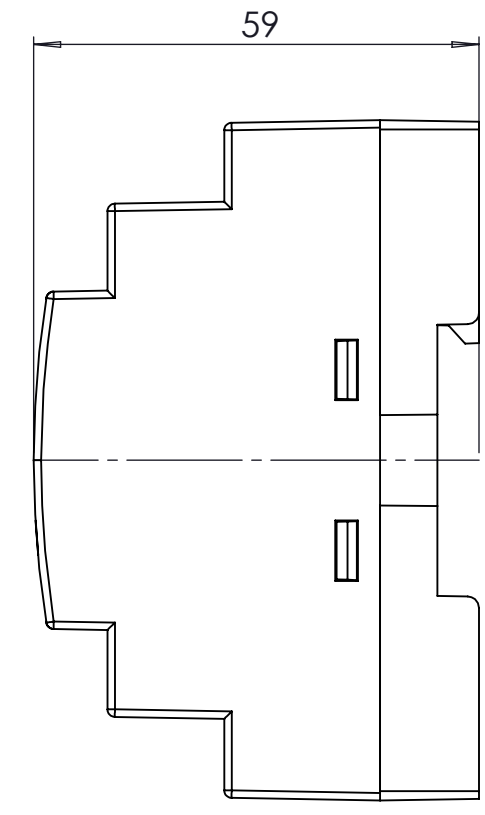
SURFACE-14 (INSIDE)

REV. NO	DATE	REVISED BY	DESCRIPTION OF CHANGE
ALTINKAYA Electronic Enclosures & Components			www.altinkaya.com
Customer Name:		Customer Ref.:	
Altinkaya Ref.:		Part Name: RT-212-C	
DRAWN	NAME	DATE	Drawn From:
CHECKED	Y.YEL	16.09.2024	Material:
DIMENSIONAL TOLERANCES UNLESS OTHERWISE SPECIFIED (DIN7168)		0.5-3mm	3-6mm
		±0.1	±0.1
		6-30mm	±0.2
		30-120mm	±0.3
		120-400mm	±0.5
		Dimension (mm)	m (Medium)
		SCALE 1:1	SHEET 1 OF 2
		UNIT: mm	A0

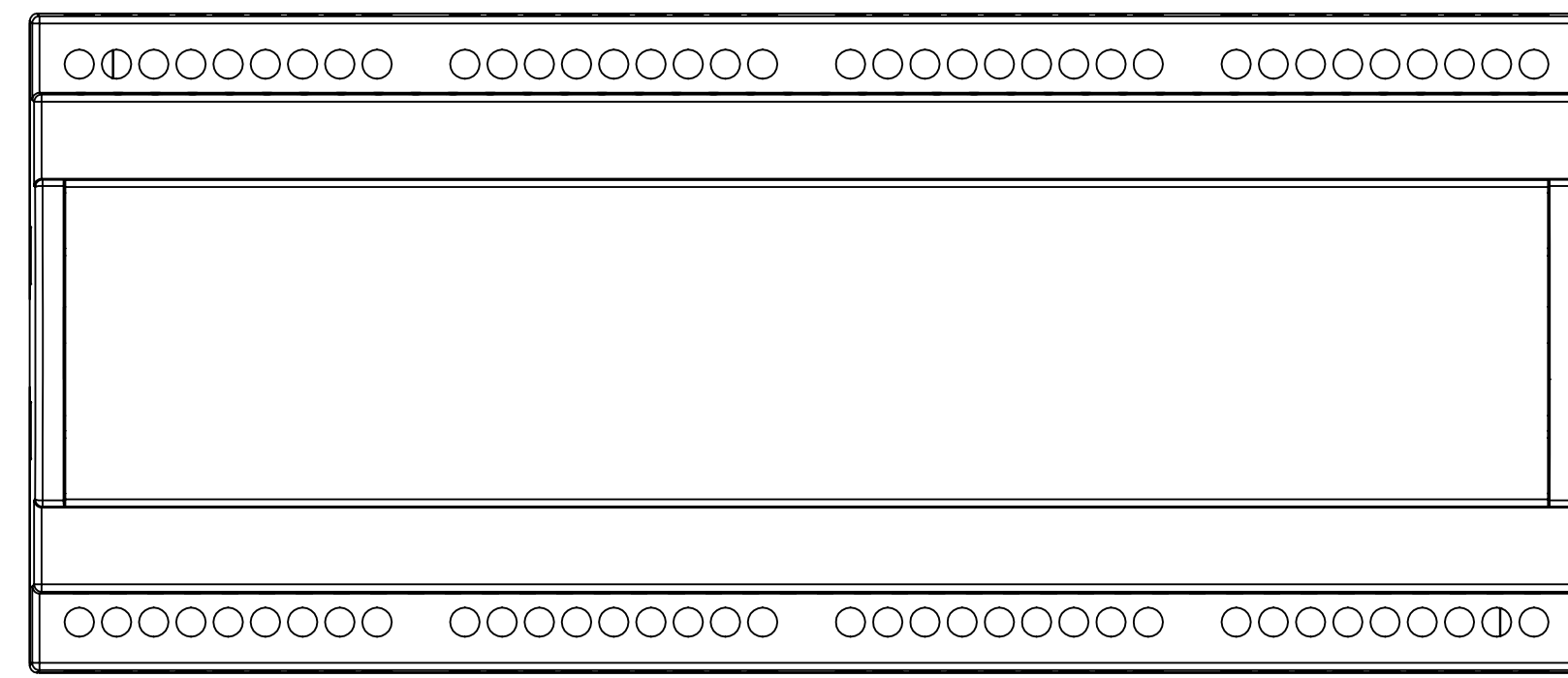
RT-212-C IF MACHINED TOGETHER



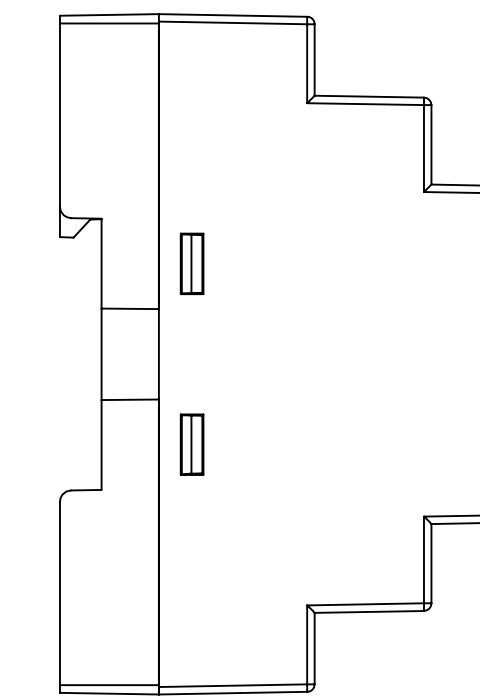
SURFACE-15



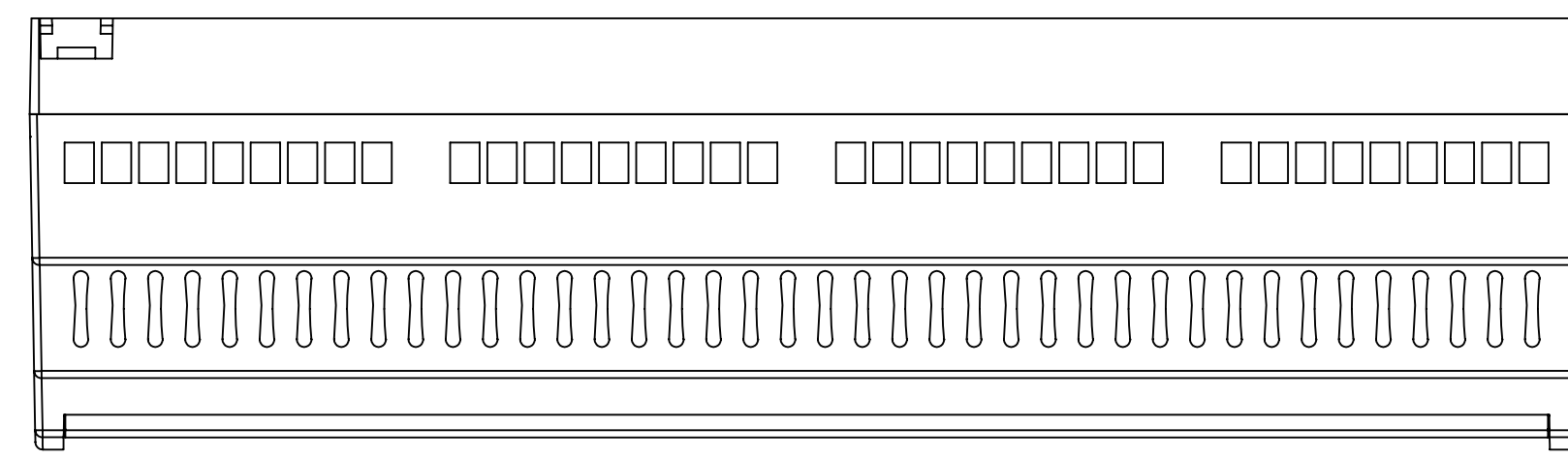
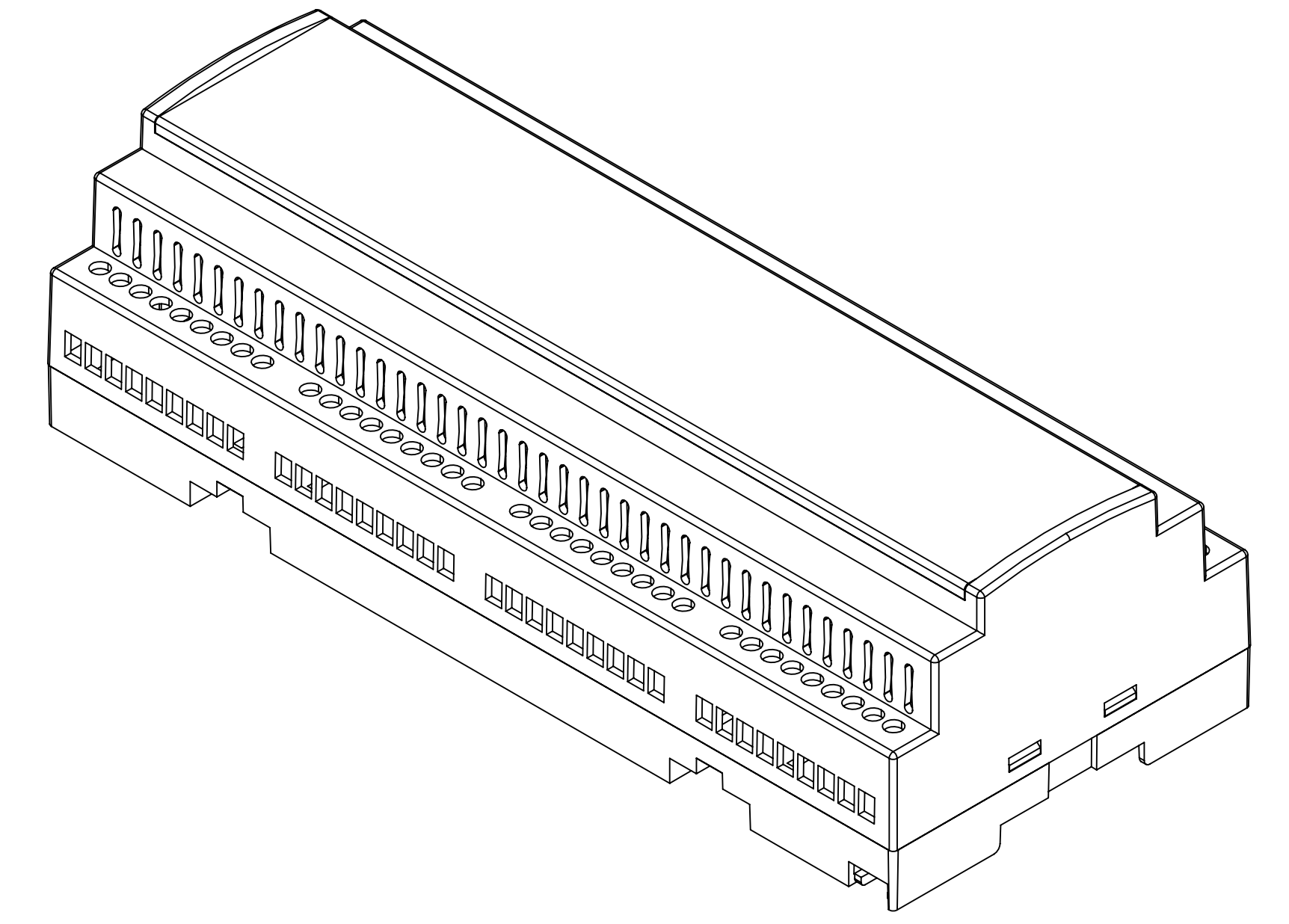
SURFACE-17



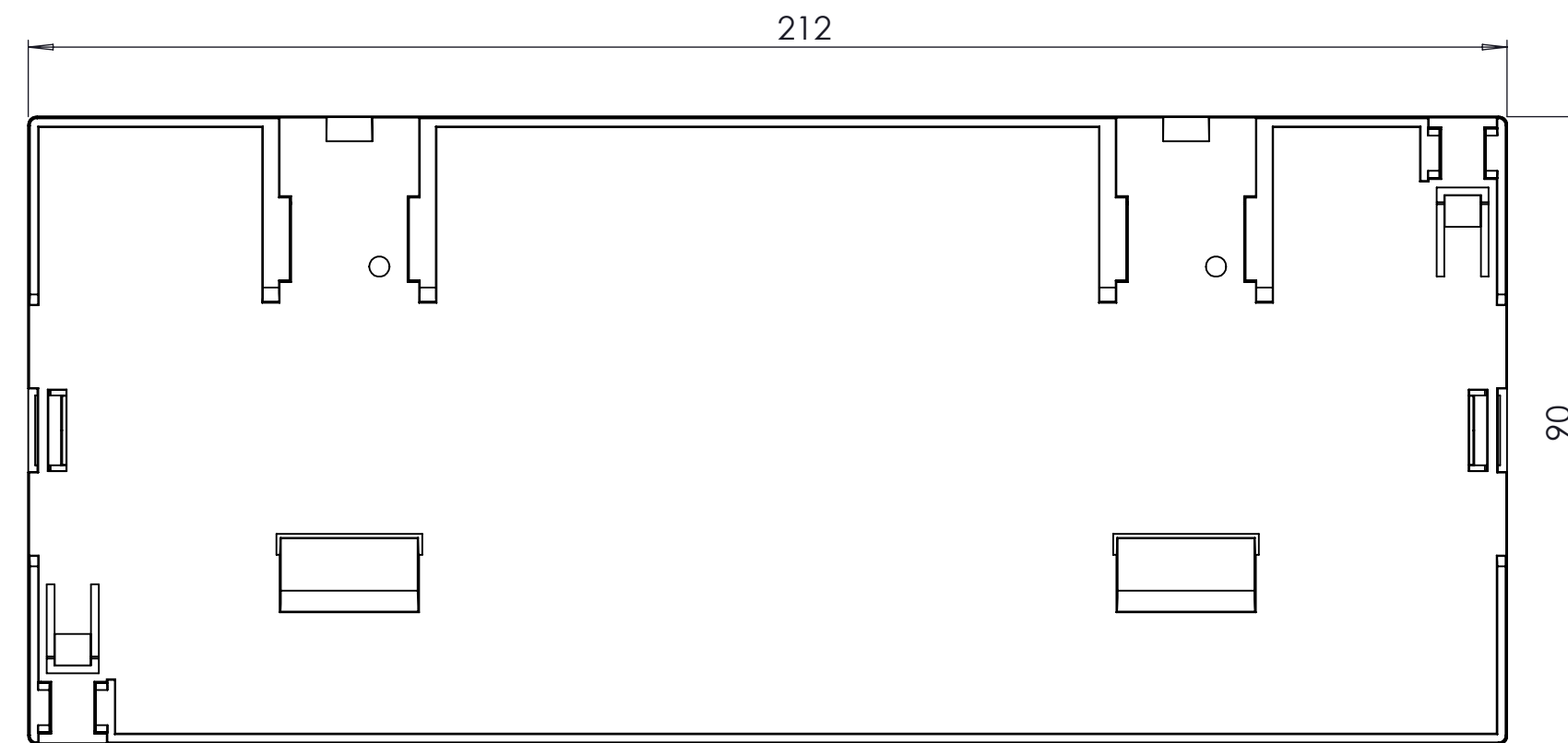
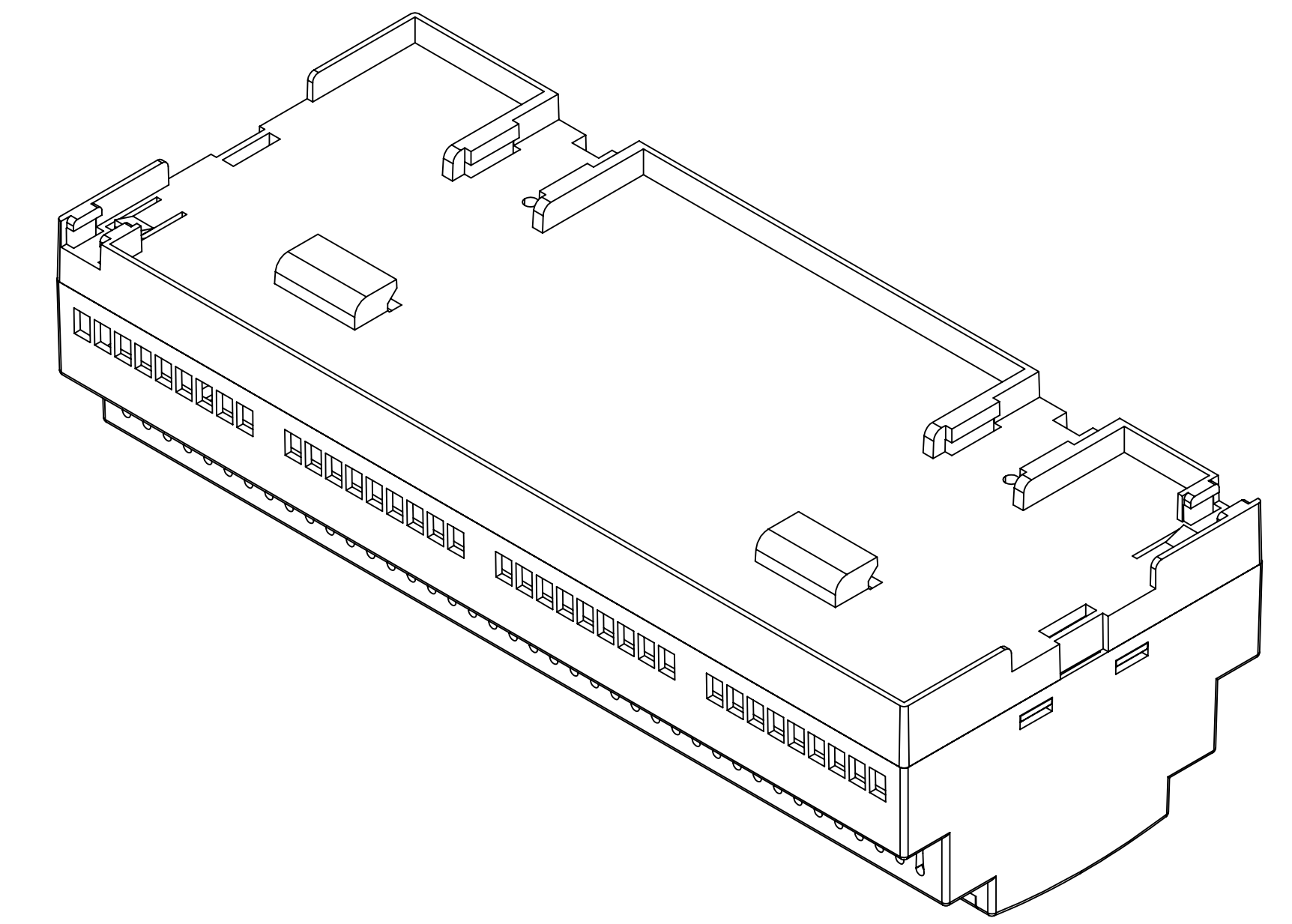
SURFACE-19



SURFACE-18



SURFACE-16



SURFACE-20

REV. NO	DATE	REVISED BY	DESCRIPTION OF CHANGE		
ALTINKAYA Electronic Enclosures & Components			www.altinkaya.com		
Customer Name:		Customer Ref. :			
Altinkaya Ref. :		Part Name: RT-212-C			
DRAWN	NAME	DATE	Drawn From :		SCALE 1:1
CHECKED	Y.YEL	16.09.2024	Material :		SHEET 2 OF 2
DIMENSIONAL TOLERANCES UNLESS OTHERWISE SPECIFIED (DIN7168)			0.5-3mm	3-6mm	6-30mm
			±0.1	±0.1	±0.2
			±0.2	±0.3	±0.5
			30-120mm		120-400mm
			Dimension (mm)		Dimension (mm)
			m (Medium)		UNIT: mm
					A0