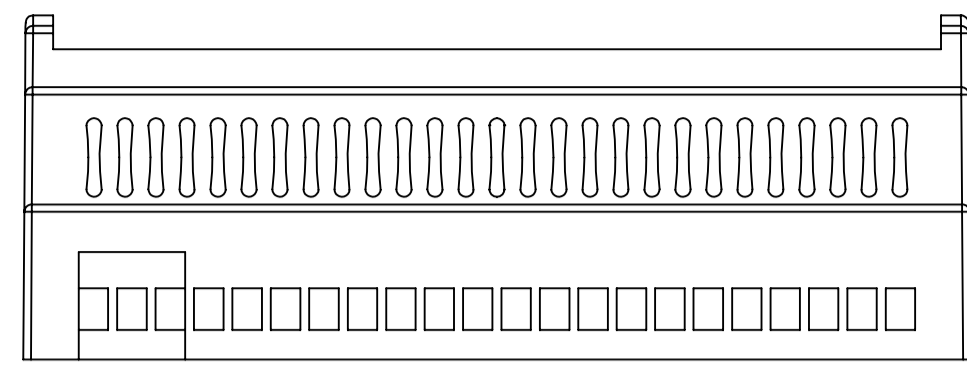
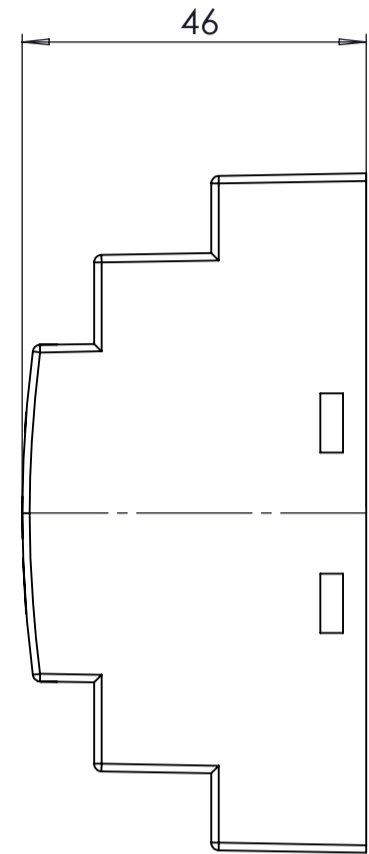


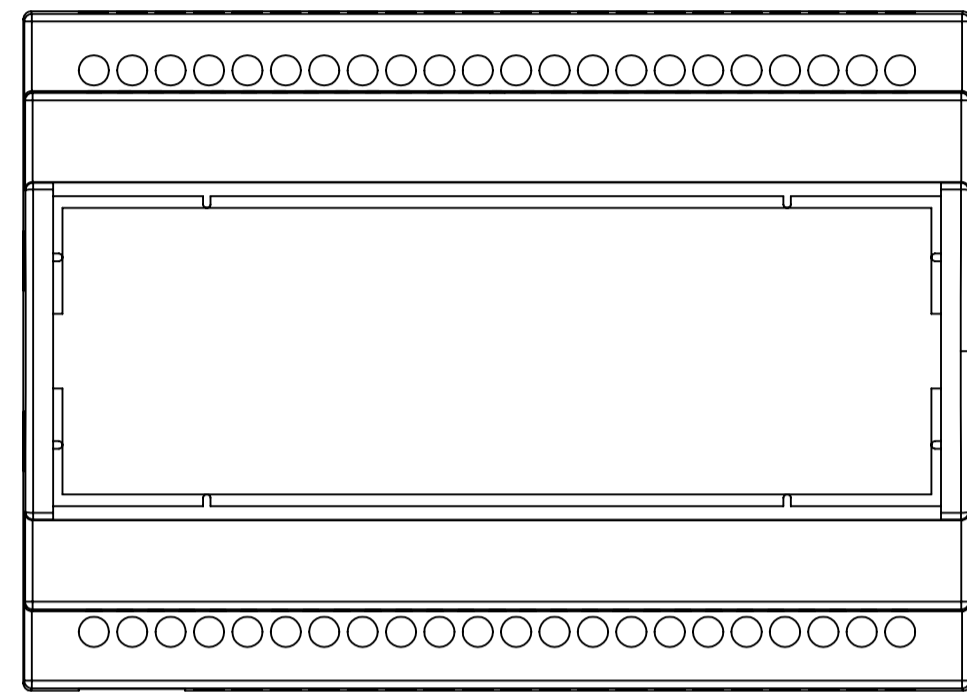
**BASE: 6 SURFACE**



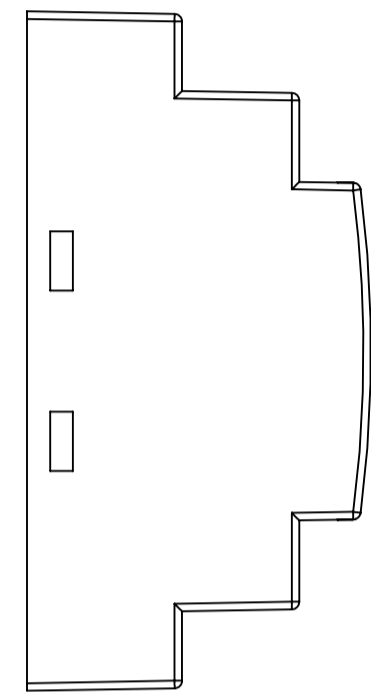
SURFACE-1



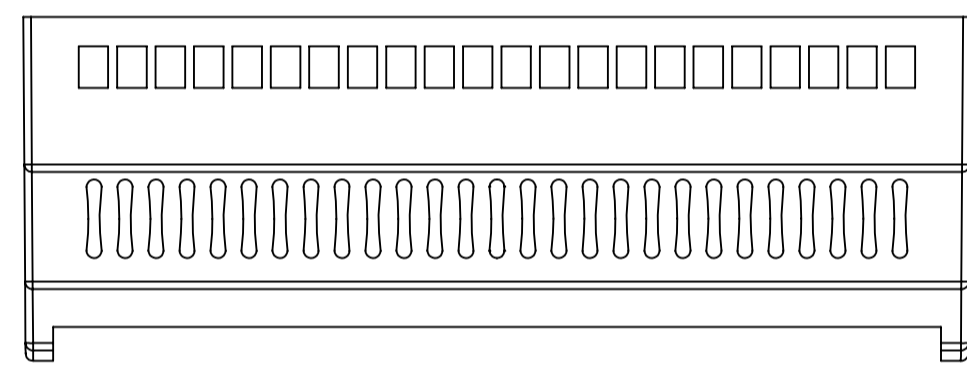
SURFACE-3



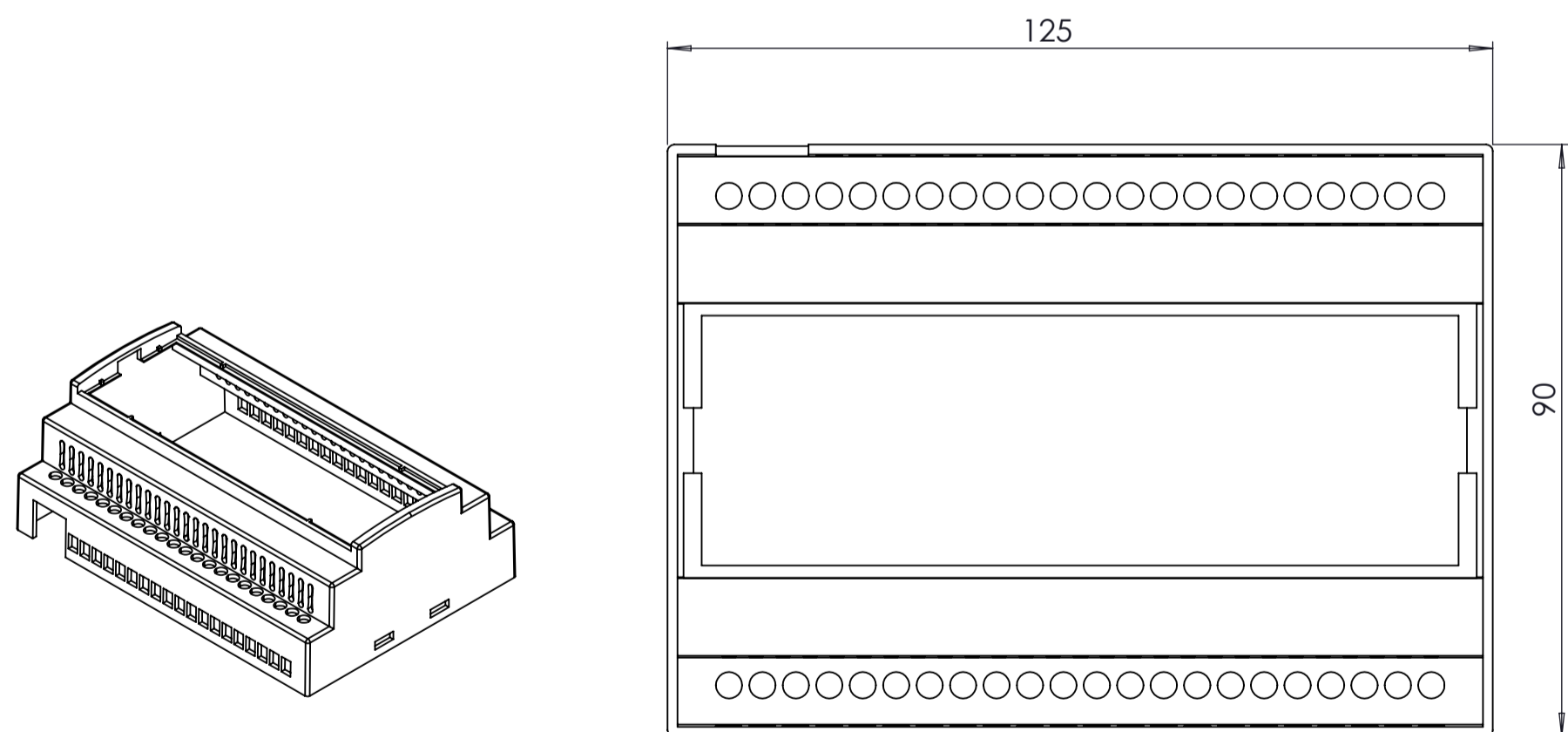
SURFACE-5



SURFACE-4



SURFACE-2

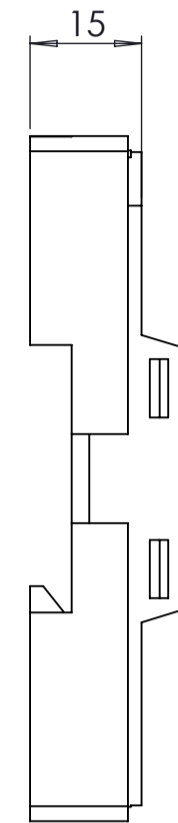


SURFACE-6 (INSIDE)

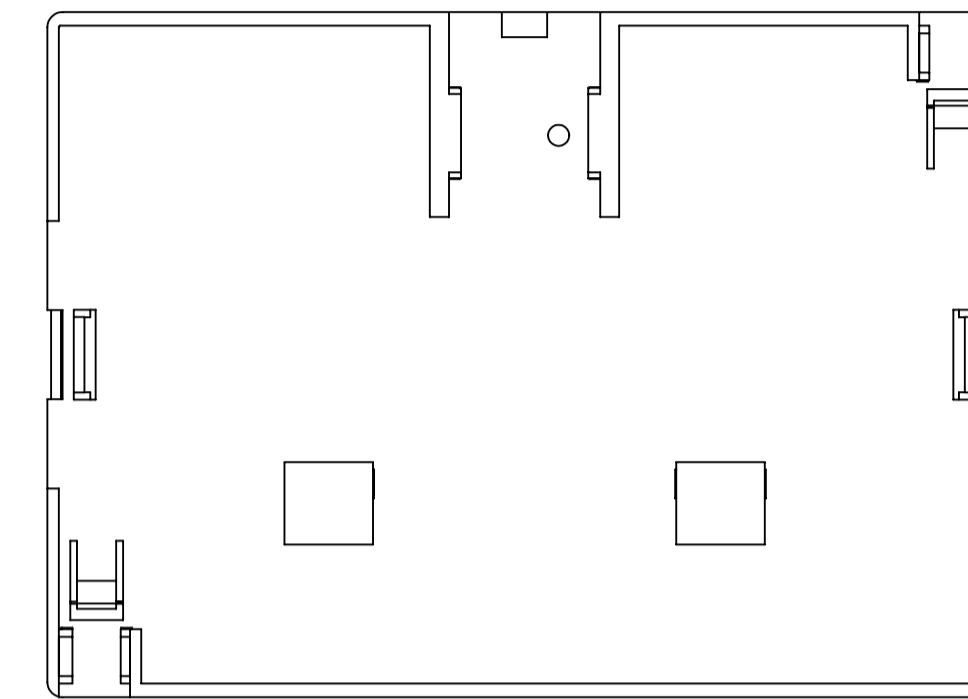
**COVER: 6 SURFACE**



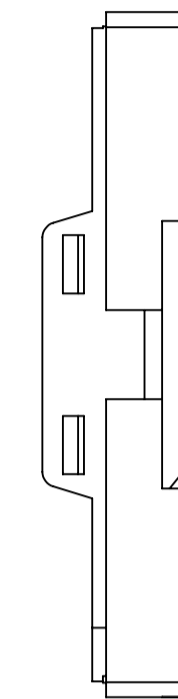
SURFACE-7



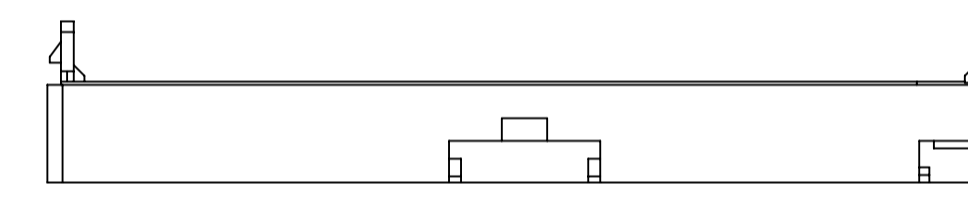
SURFACE-9



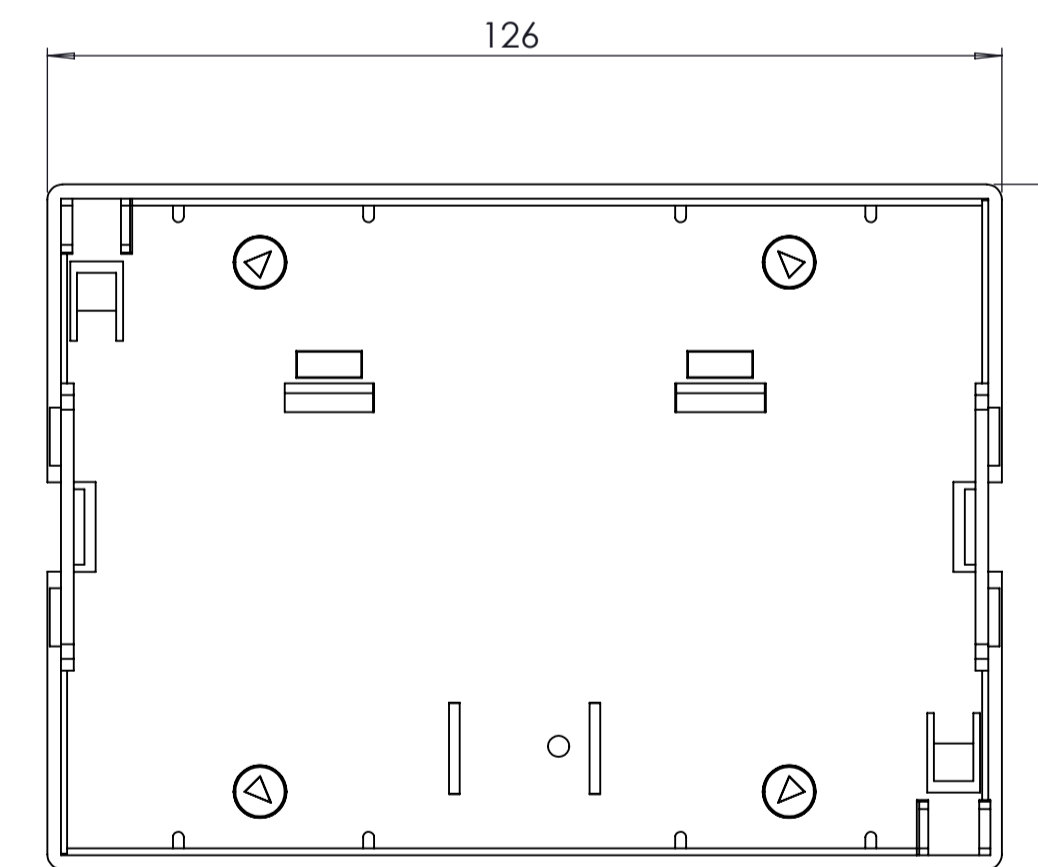
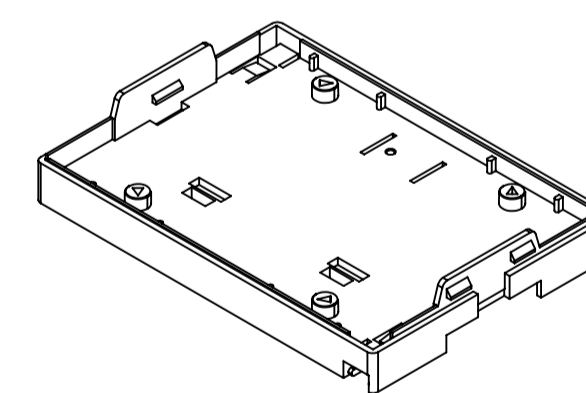
SURFACE-11



SURFACE-10

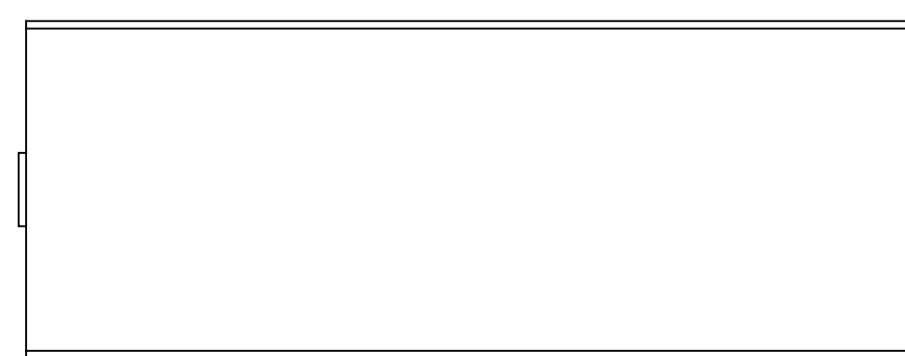
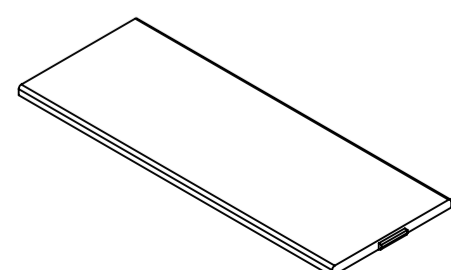


SURFACE-8

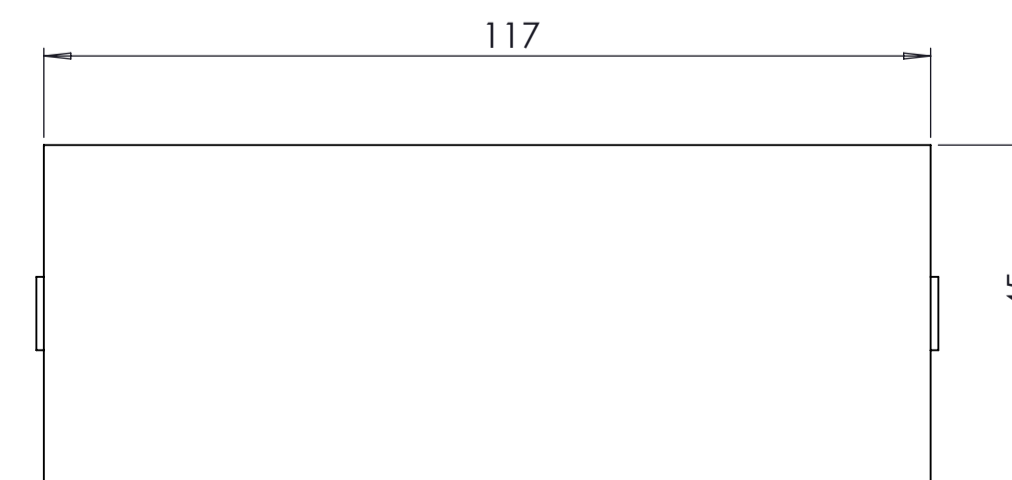
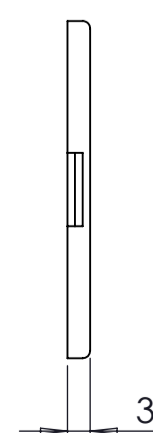


SURFACE-12 (INSIDE)

**PANEL: 2 SURFACE**



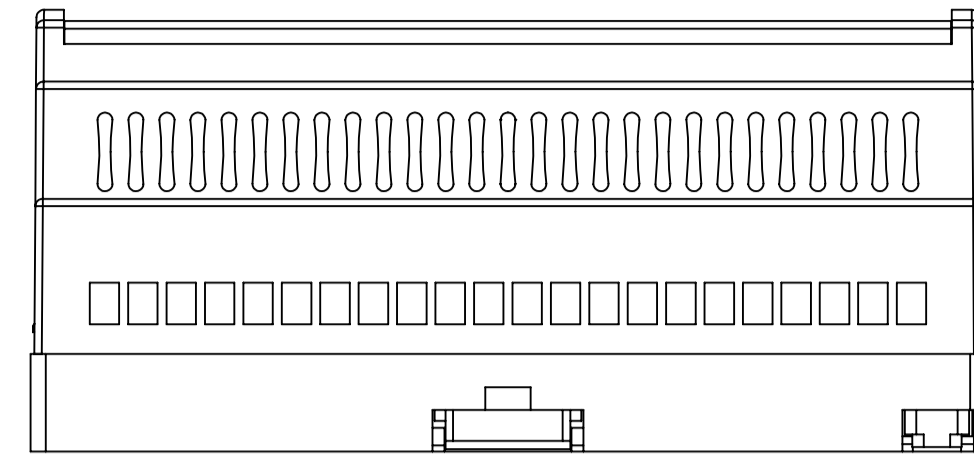
SURFACE-13



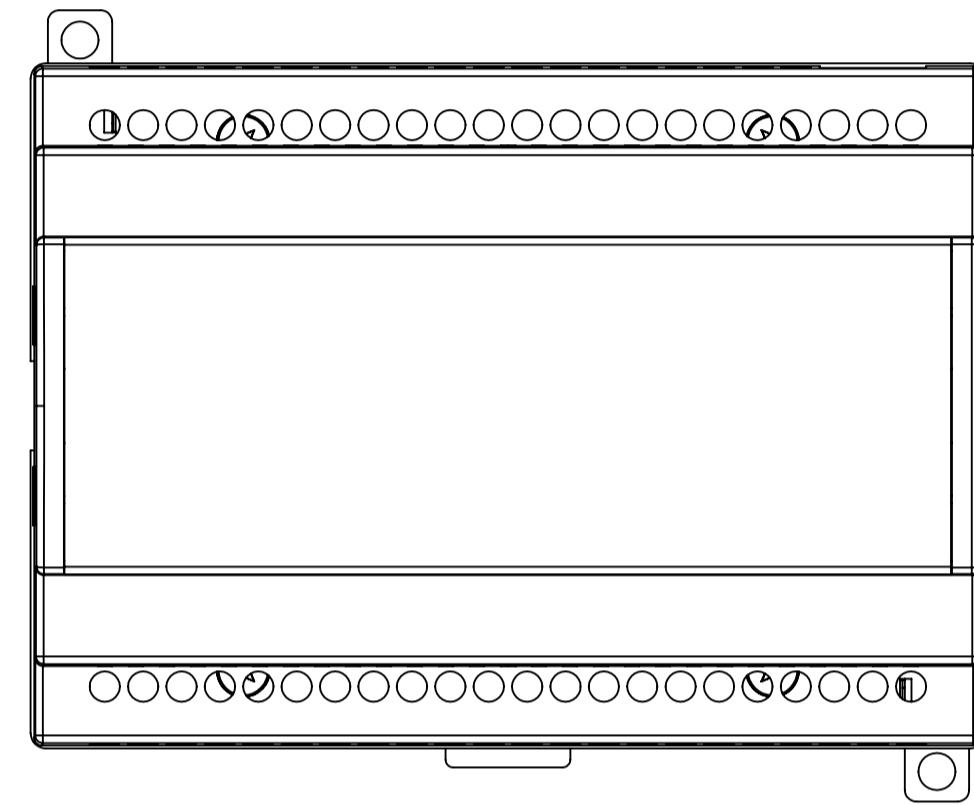
SURFACE-14 (INSIDE)

REV. NO.	DATE	REVISED BY	DESCRIPTION OF CHANGE
<b>ALTINKAYA</b> Electronic Enclosures & Components <a href="http://www.altinkaya.com">www.altinkaya.com</a>			
Customer Name:		Customer Ref.:	
Altinkaya Ref.:		Part Name: RT-207-C	
DRAWN	NAME	DATE	Drawn From:
CHECKED	Y. YEL	16.09.2024	Material:
DIMENSIONAL TOLERANCES UNLESS OTHERWISE SPECIFIED:			SCALE 1:1 UNIT : mm
[R47148]	±0.1	±0.1	±0.2 ±0.3 ±0.5

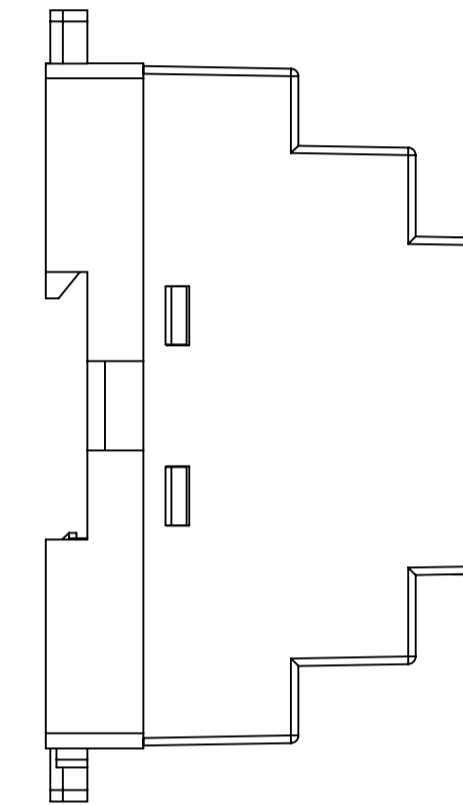
# RT-207-C MACHINED TOGETHER



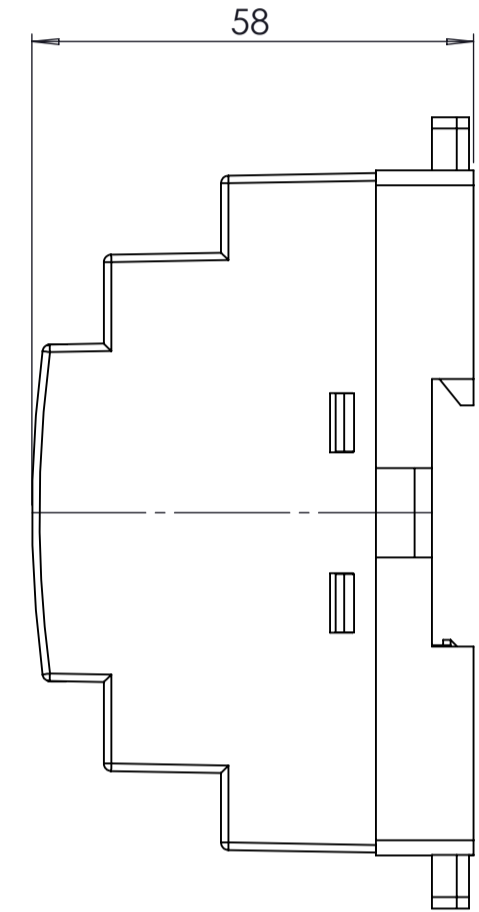
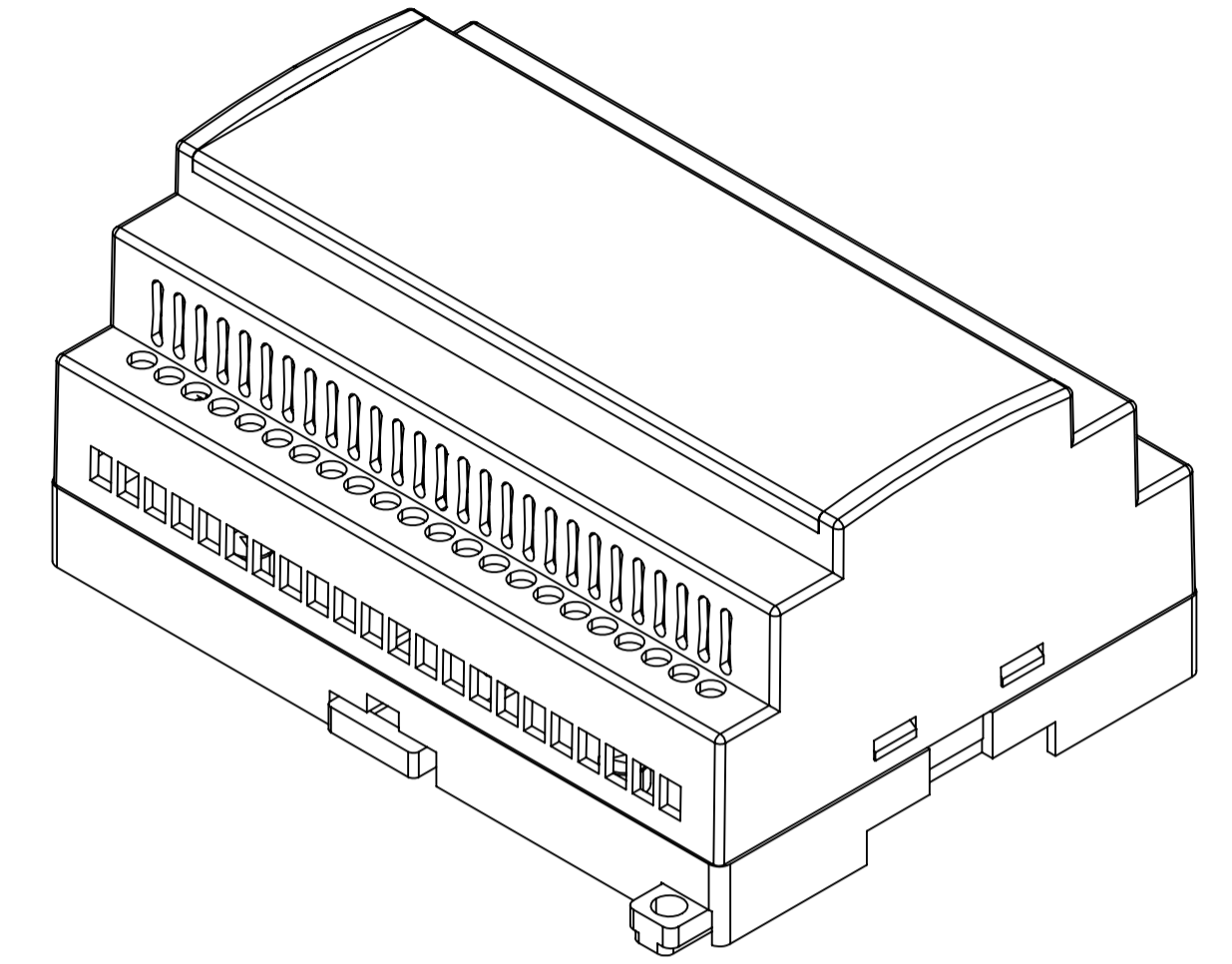
SURFACE-15



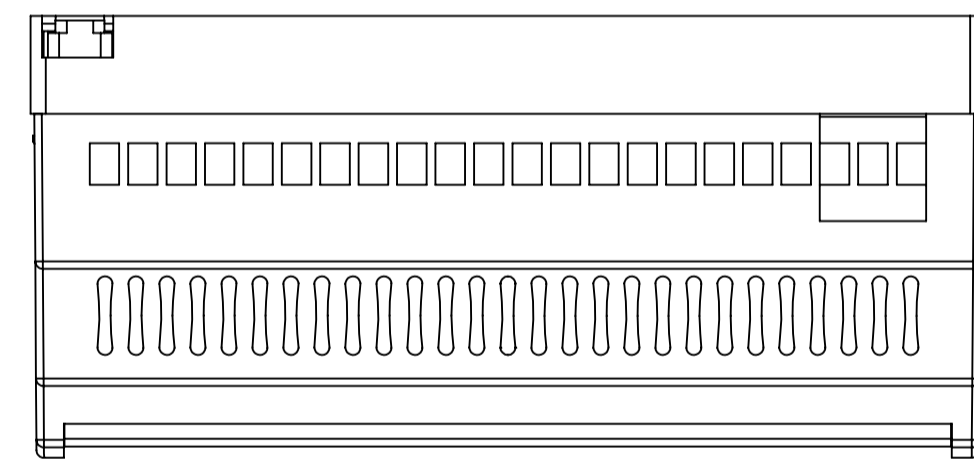
SURFACE-19



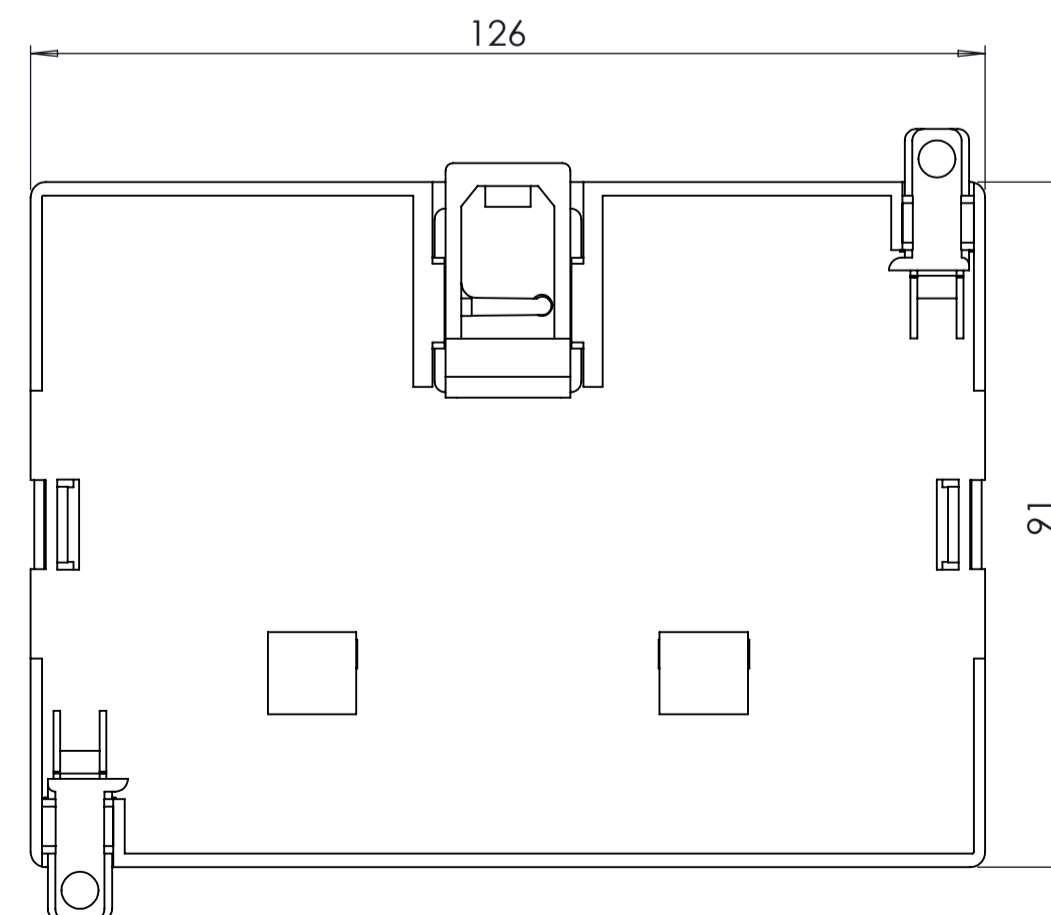
SURFACE-18



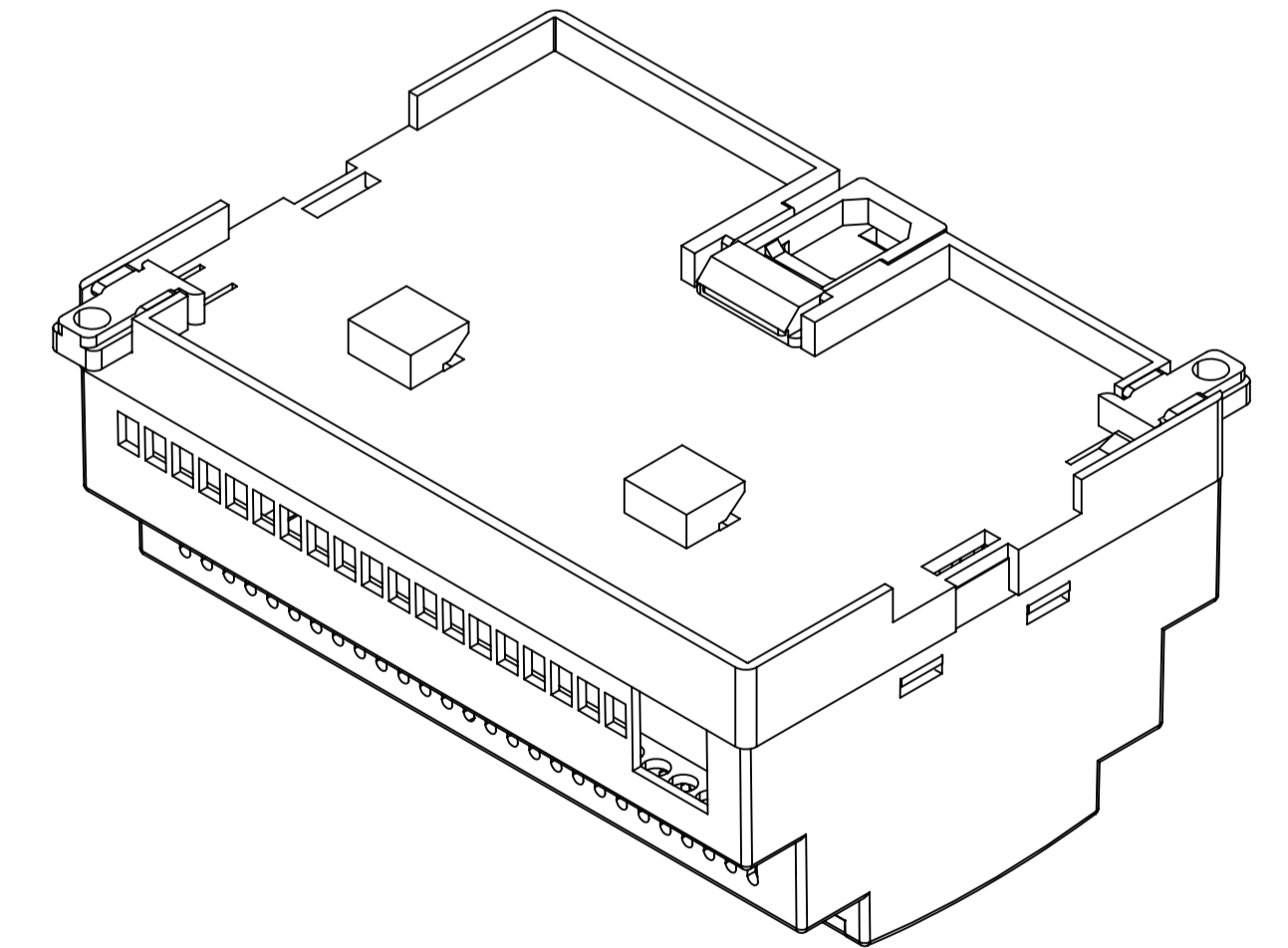
SURFACE-17



SURFACE-16



SURFACE-20



REV. NO.	DATE	REVISED BY	DESCRIPTION OF CHANGE
<b>ALTINKAYA</b> Electronic Enclosures & Components			
Customer Name:		Customer Ref.:	
Altinkaya Ref.:		Part Name: RT-207-C	
DRAWN	NAME	DATE	Drawn From:
CHECKED	Y. YESILOZ	16.09.2024	Material:
DIMENSIONAL TOLERANCES UNLESS OTHERWISE SPECIFIED:		Weight:	SCALE 1:1 UNIT : mm
(mm)	±0.1	±0.1	±0.2
(mm)	±0.3	±0.3	±0.5
(mm)			
			SHEET 2 OF 2