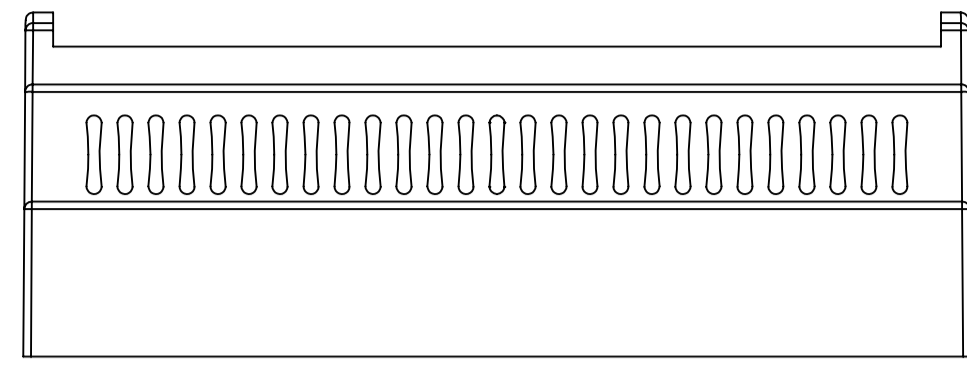
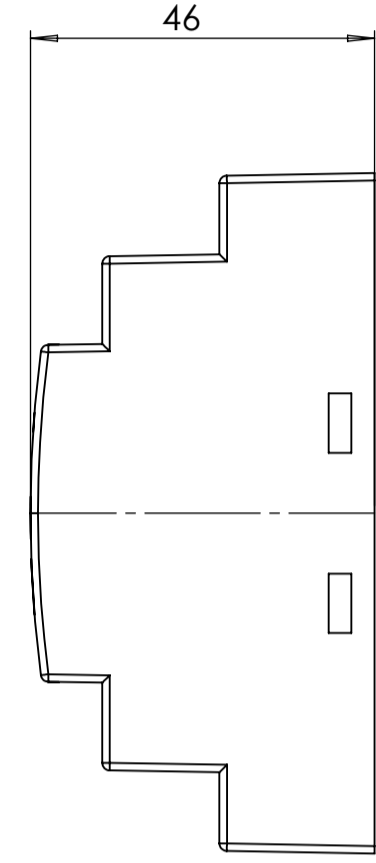


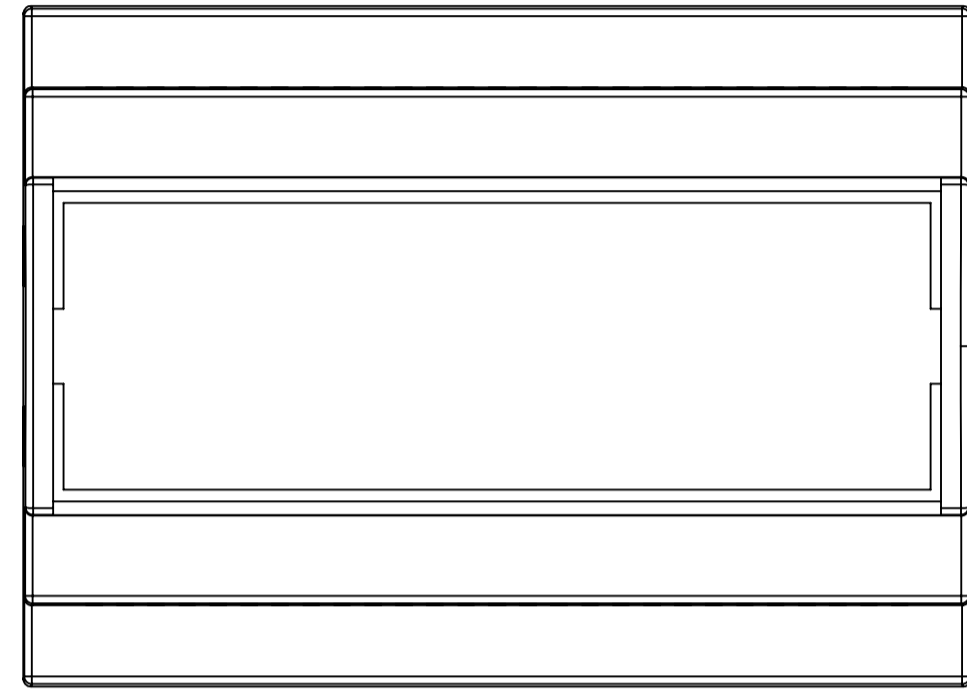
BASE: 6 SURFACE



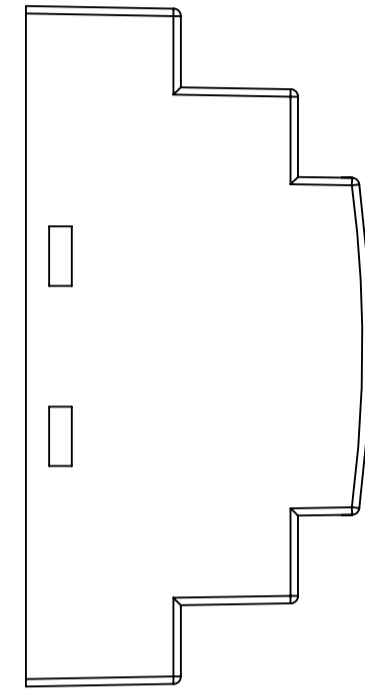
SURFACE-1



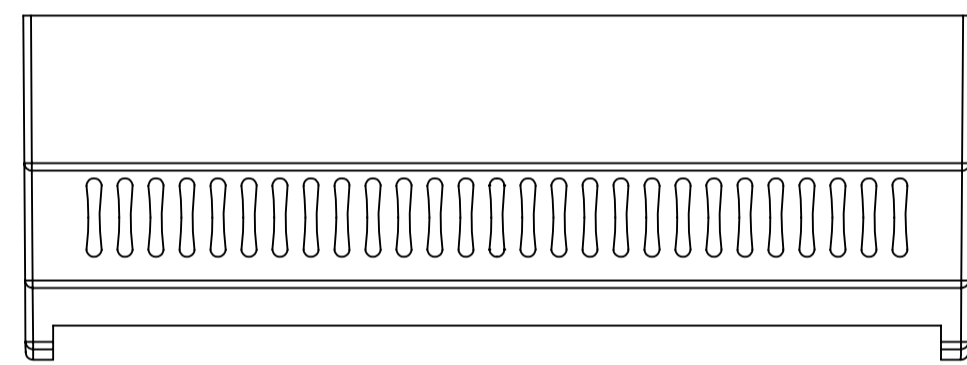
SURFACE-3



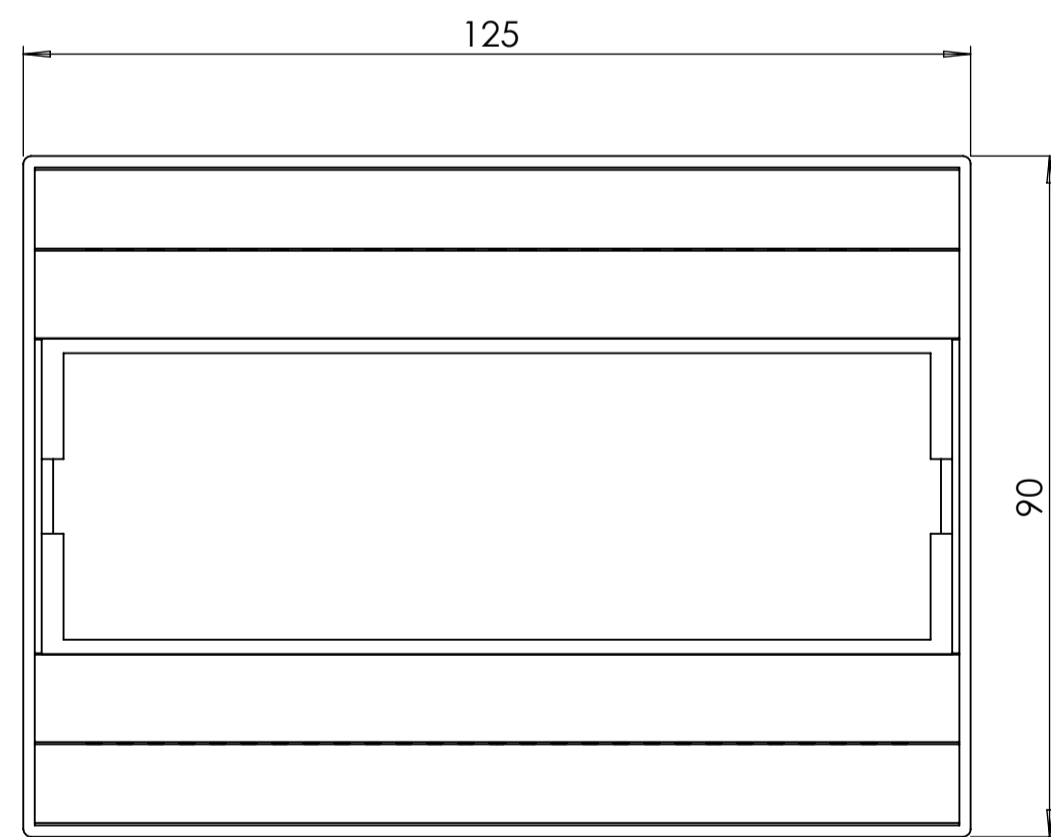
SURFACE-5



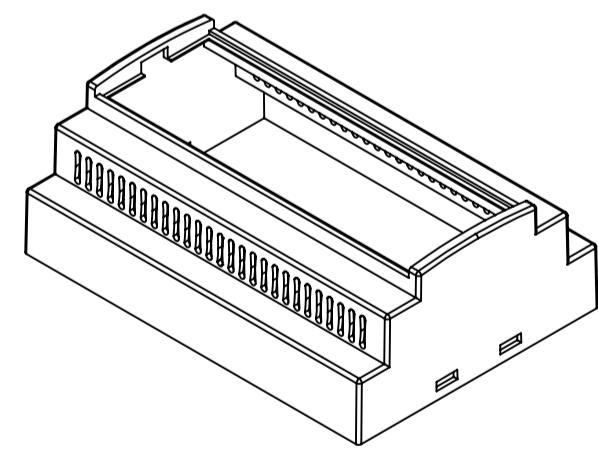
SURFACE-4



SURFACE-2



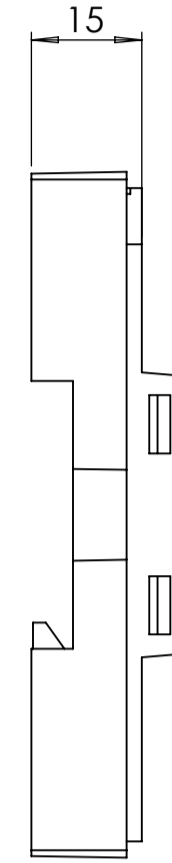
SURFACE-6 (INSIDE)



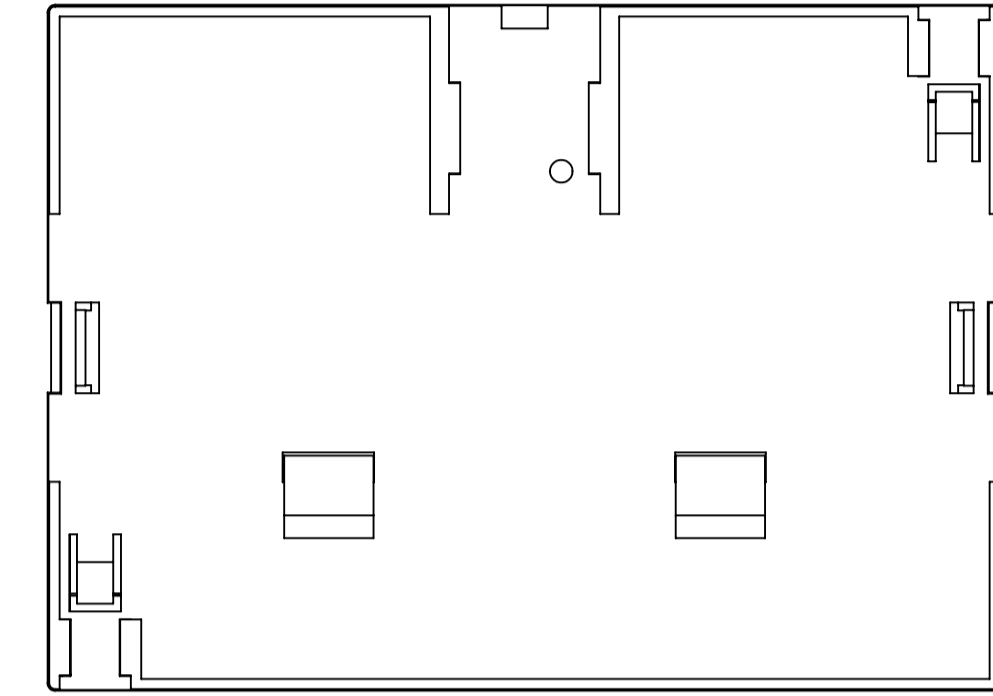
COVER: 6 SURFACE



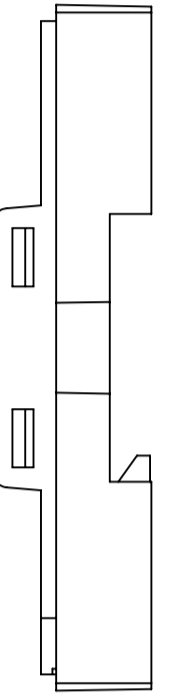
SURFACE-7



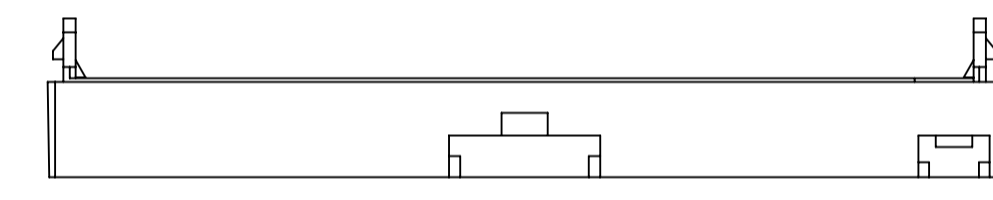
SURFACE-9



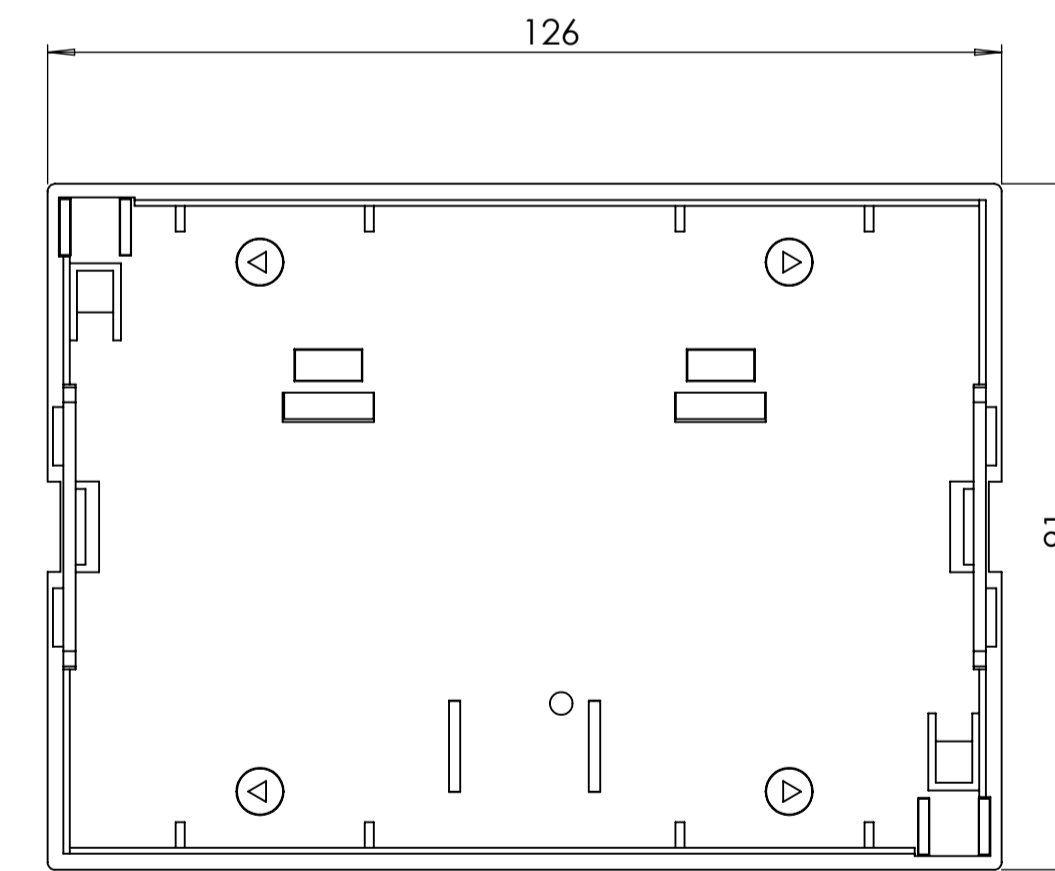
SURFACE-11



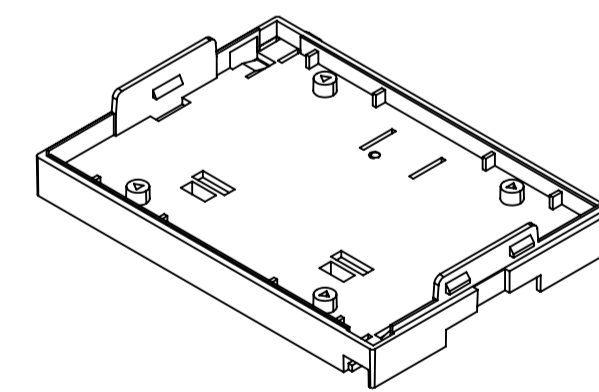
SURFACE-10



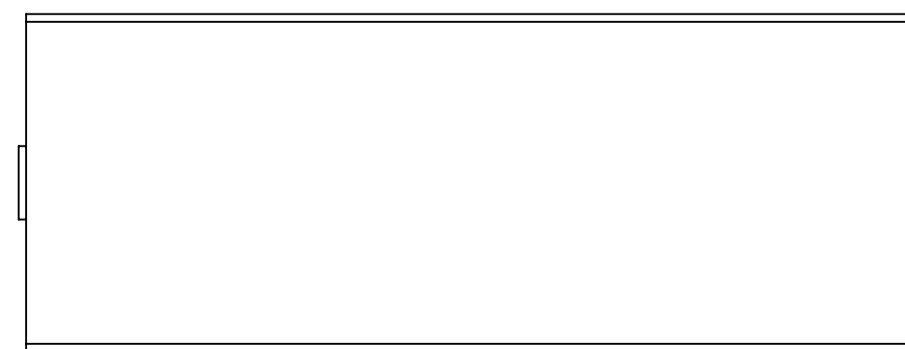
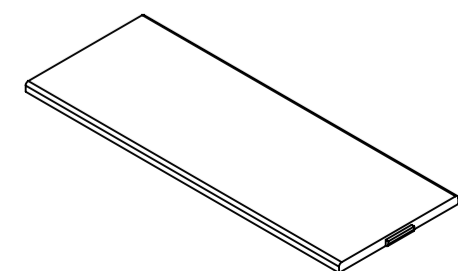
SURFACE-8



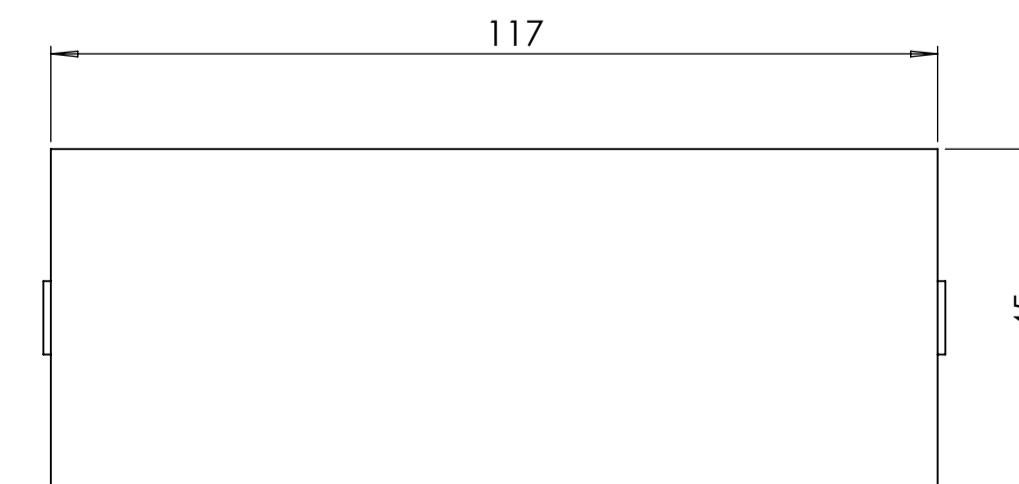
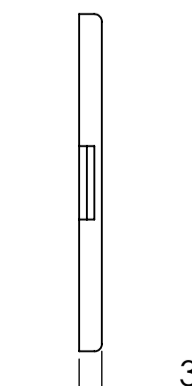
SURFACE-12 (INSIDE)



PANEL: 2 SURFACE



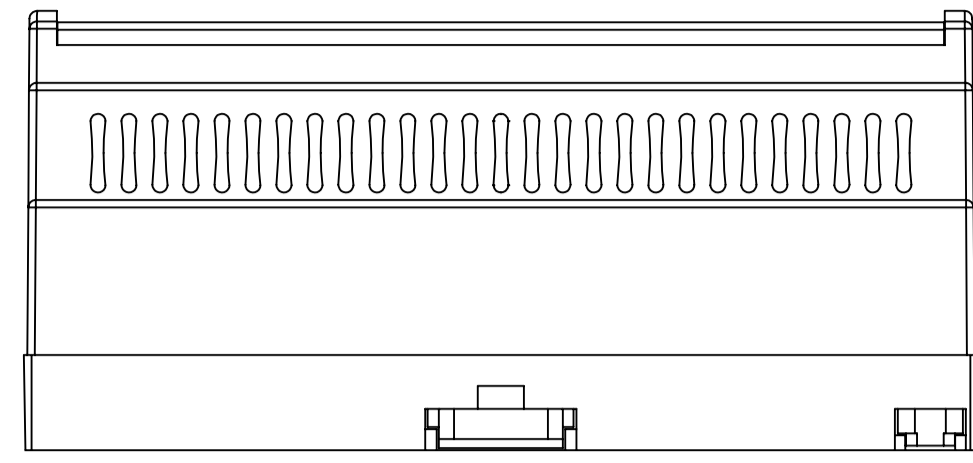
SURFACE-13



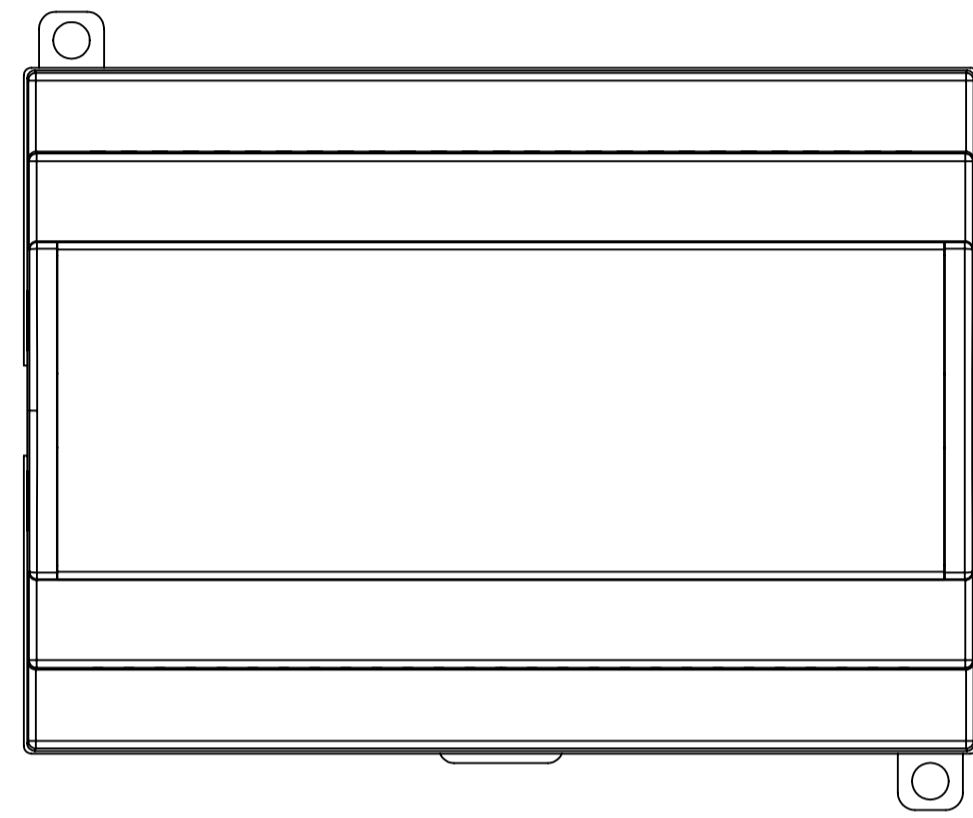
SURFACE-14 (INSIDE)

REV. NO.	DATE	REVISED BY	DESCRIPTION OF CHANGE
ALTINKAYA Electronic Enclosures & Components www.altinkaya.com			
Customer Name:		Customer Ref.:	
Altinkaya Ref.:		Part Name: RT-207-B	
DRAWN	NAME	DATE	Drawn From:
CHECKED	Y. YESLOZ	16.09.2024	Material:
DIMENSIONAL TOLERANCES UNLESS OTHERWISE SPECIFIED:			SCALE: 1:1 UNIT: mm
(RNF7148)	±0.1	±0.1	±0.2 ±0.3 ±0.5
	3-6mm	6-30mm	30-120mm 120-400mm
			Dimension(mm) m(medium)
			SHEET 1 OF 2

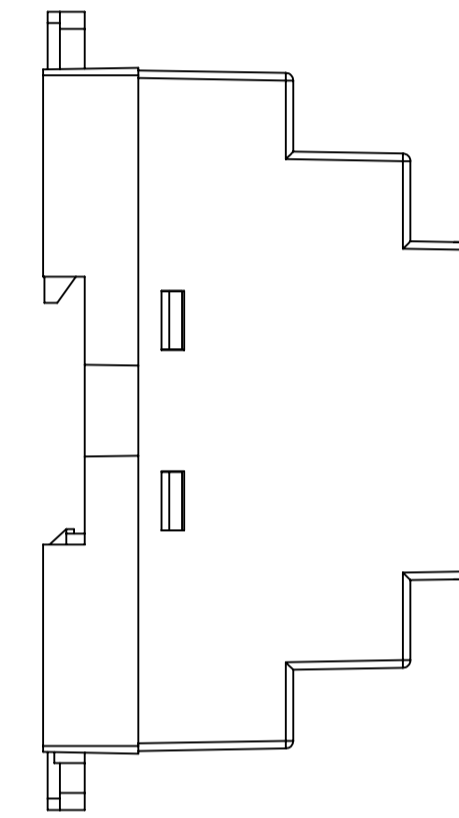
RT-207-B MACHINED TOGETHER



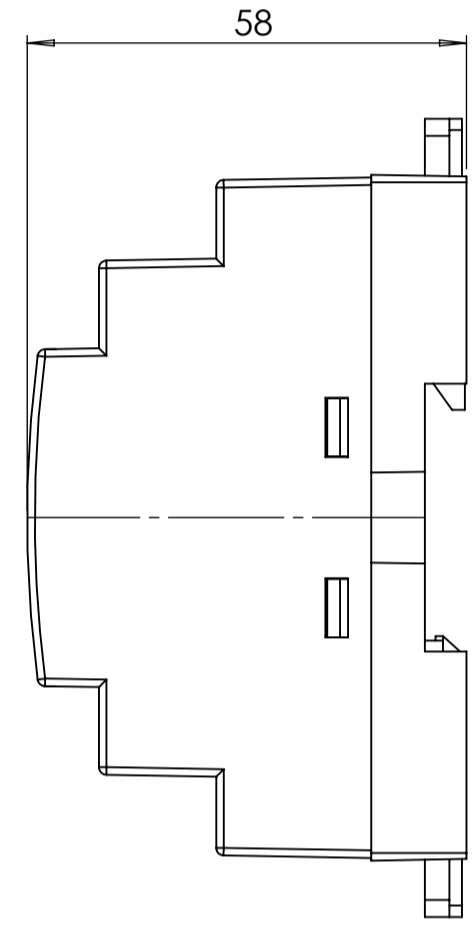
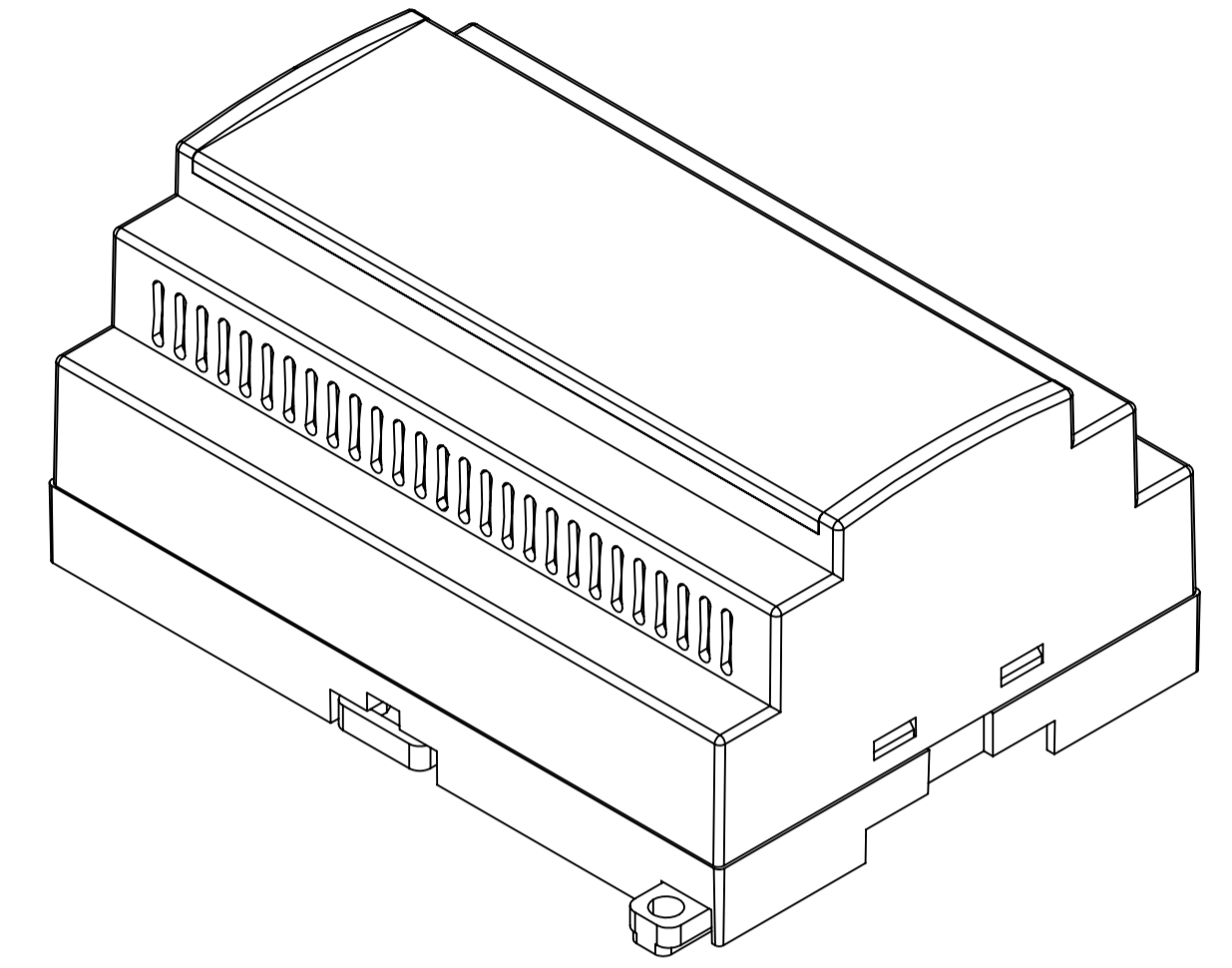
SURFACE-15



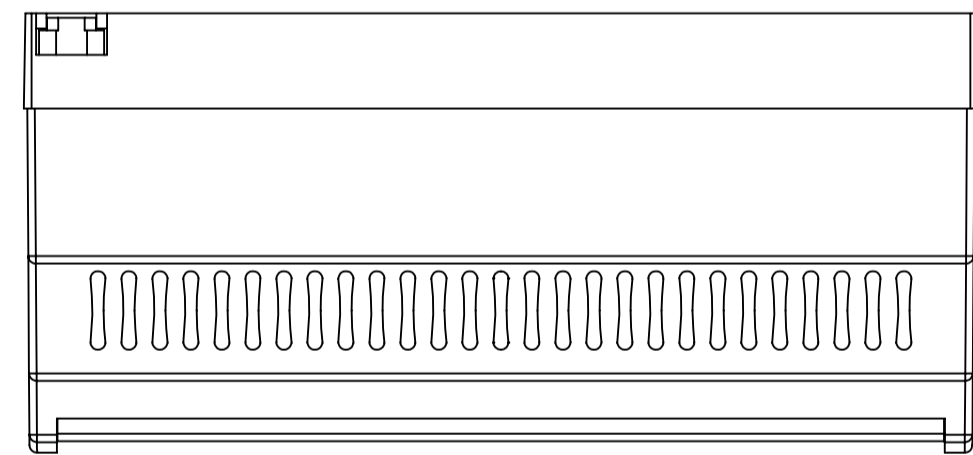
SURFACE-19



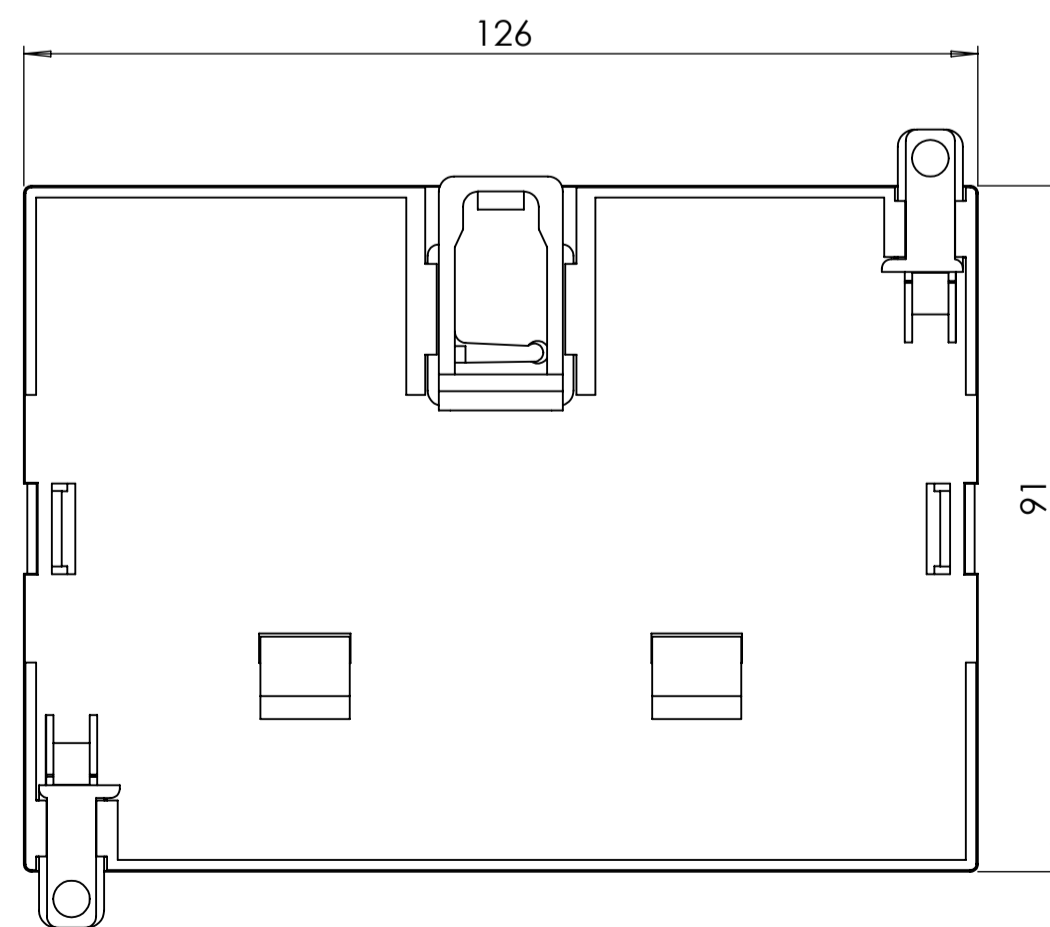
SURFACE-18



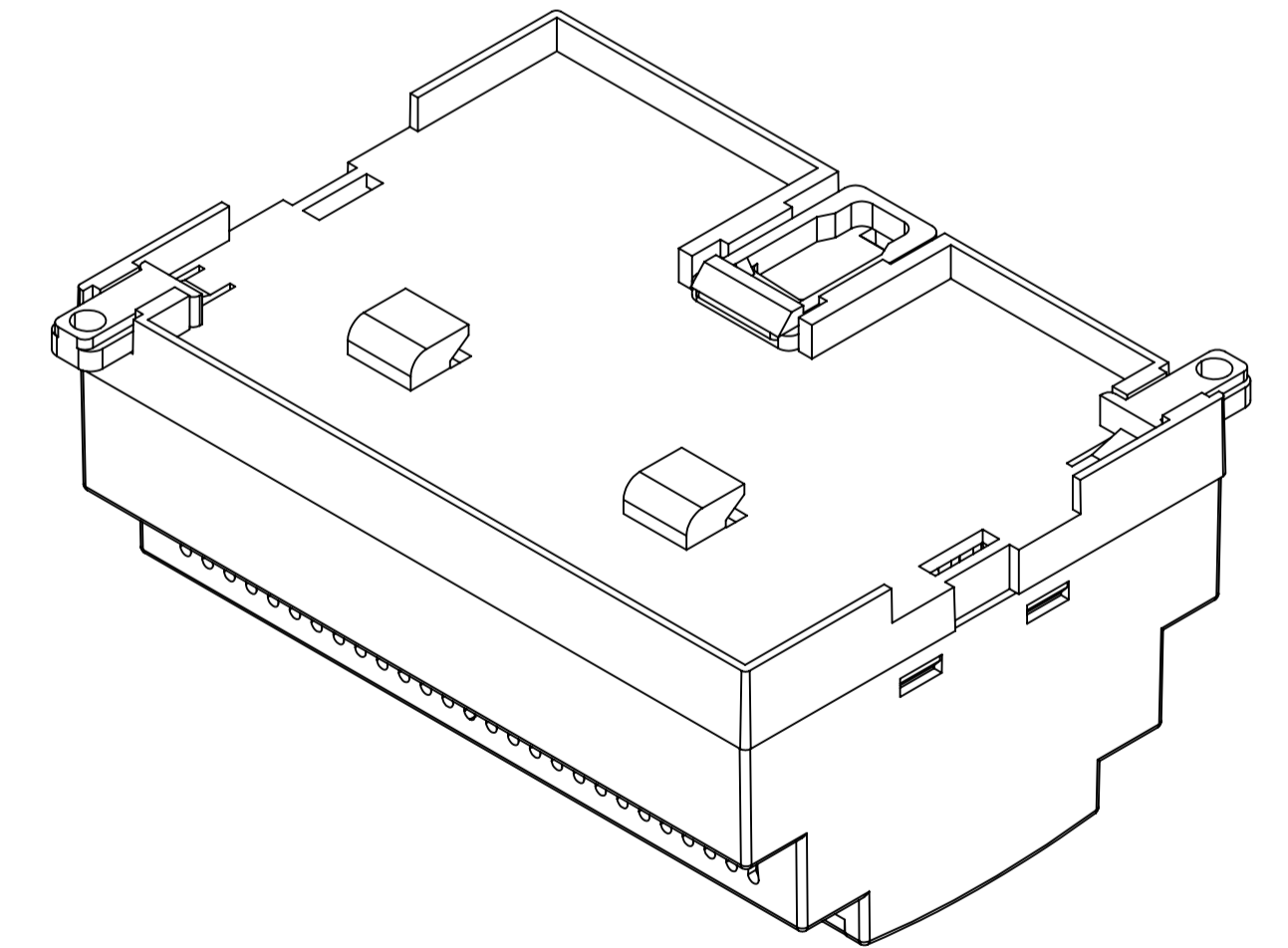
SURFACE-17



SURFACE-16



SURFACE-20



REV. NO.	DATE	REVISED BY	DESCRIPTION OF CHANGE
ALTINKAYA Electronic Enclosures & Components			www.altinkaya.com
Customer Name:		Customer Ref.:	
Altinkaya Ref.:		Part Name: RT-207-B	
DRAWN	NAME	DATE	Drawn From:
CHECKED	Y. YEL	16.09.2024	Material:
DIMENSIONAL TOLERANCES UNLESS OTHERWISE SPECIFIED:			SCALE 1:1 UNIT : mm
(mm)	±0.1	±0.1	Weight: 30-120mm 120-400mm m(medium) ±0.5
(mm)	±0.1	±0.2	±0.3
(mm)	±0.1	±0.2	±0.5